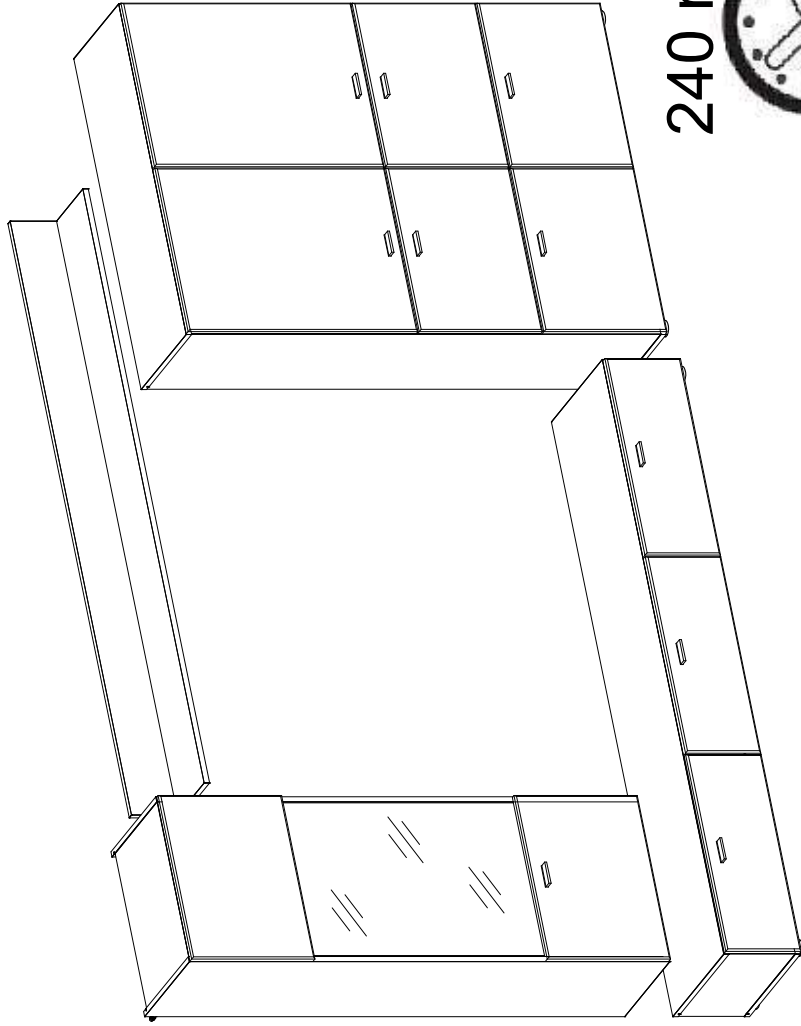
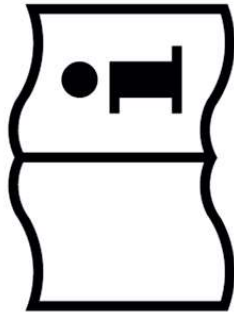
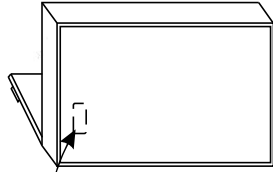
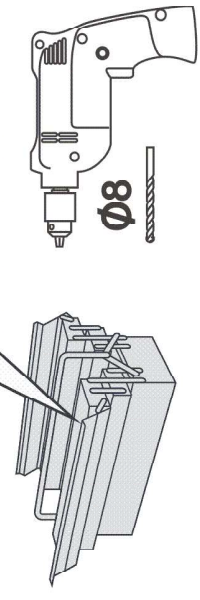
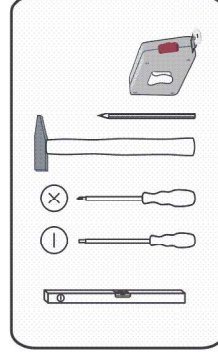
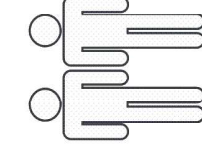
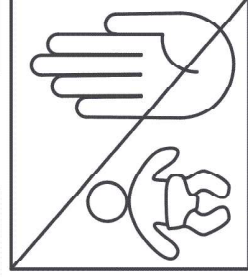
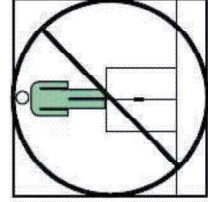
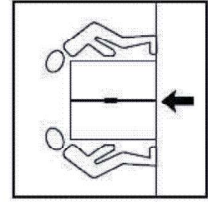
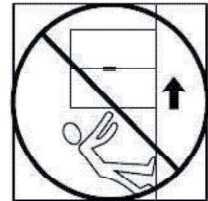
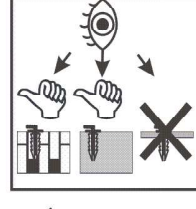
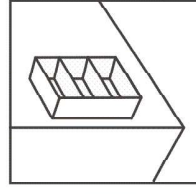
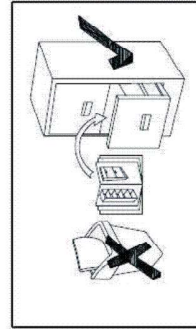
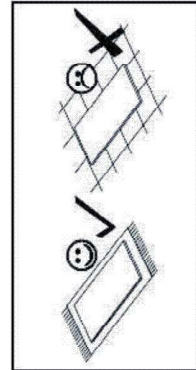


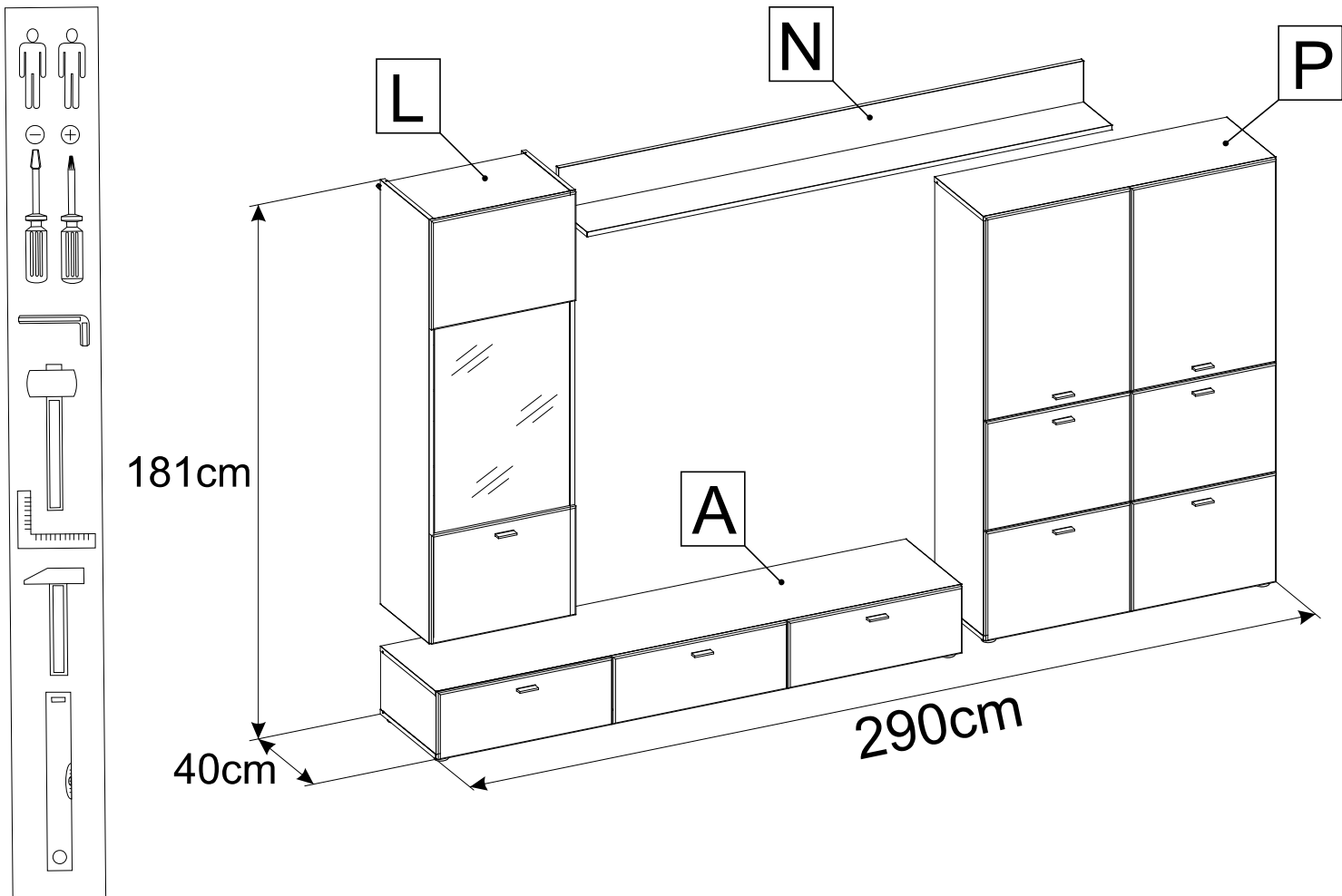
XXXXXXXXXXXX
 serie: xxx

 Hergestellt für:



240 min





- | | | | | | |
|----------------------|----------------------|----------------------|----------------------|-----------------------|----------------------|
| 1

x40 | 2

x48 | 3

x10 | 4

x20 | 4A

x19 | 6

x50 |
| 9

x48 | 9A

x48 | 10

x11 | 11

x8 | 13

x8 | 14

x8 |
| 17

x1 | 18

x1 | 21

x4 | 22

x23 | 22A

x23 | 24

x2 |
| 26

x1 | 30A

x1 | 30B

x2 | 35

x15 | 36

x6 | 38

x41 |
| 39

x89 | 41

x2 | 45

x4 | 54

x20 | 71

x2 | 72

x3 |
| 80

x5 | 80A

x5 | 92A

x1 | 92B

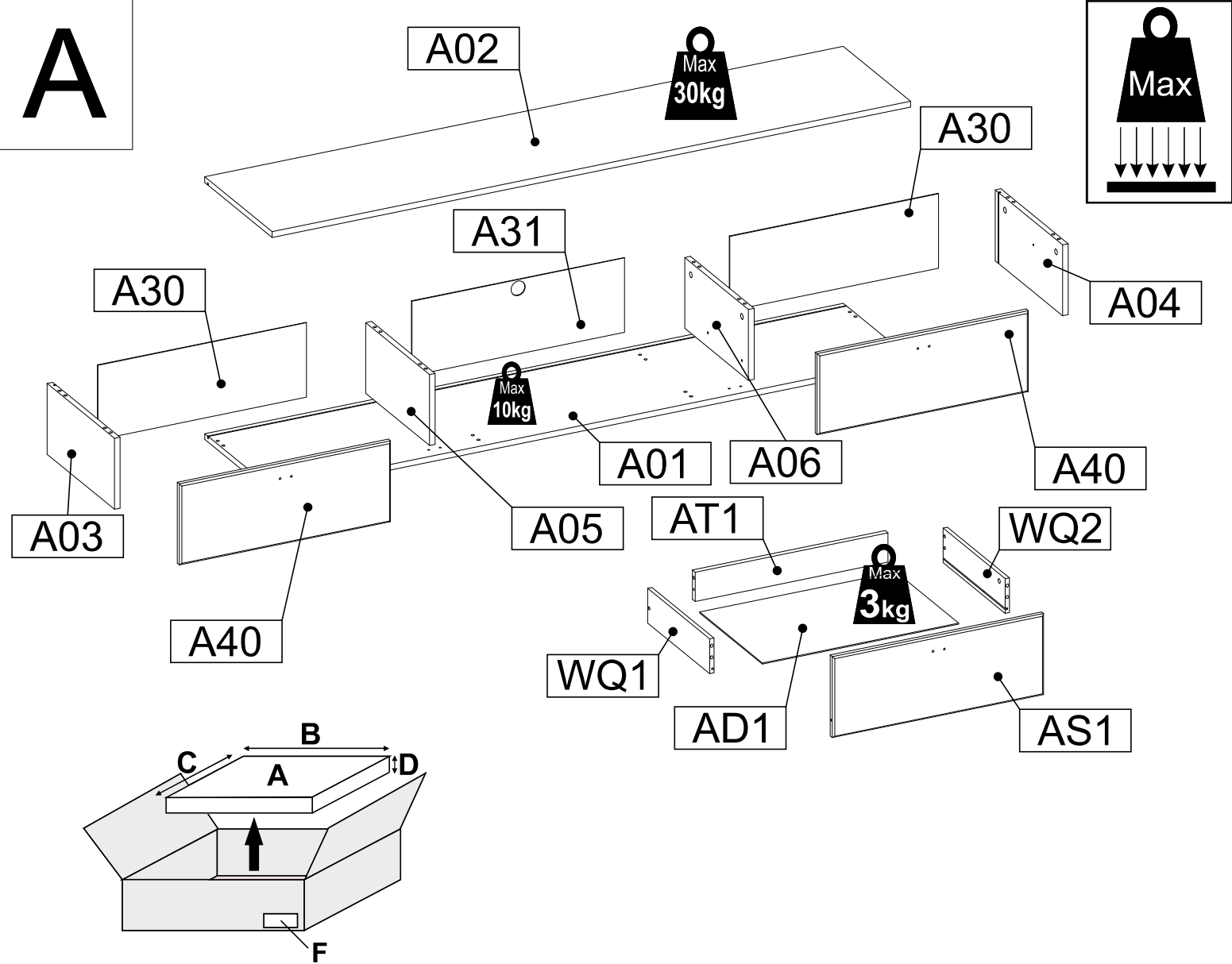
x1 | 93

x2 | 94

x2 |

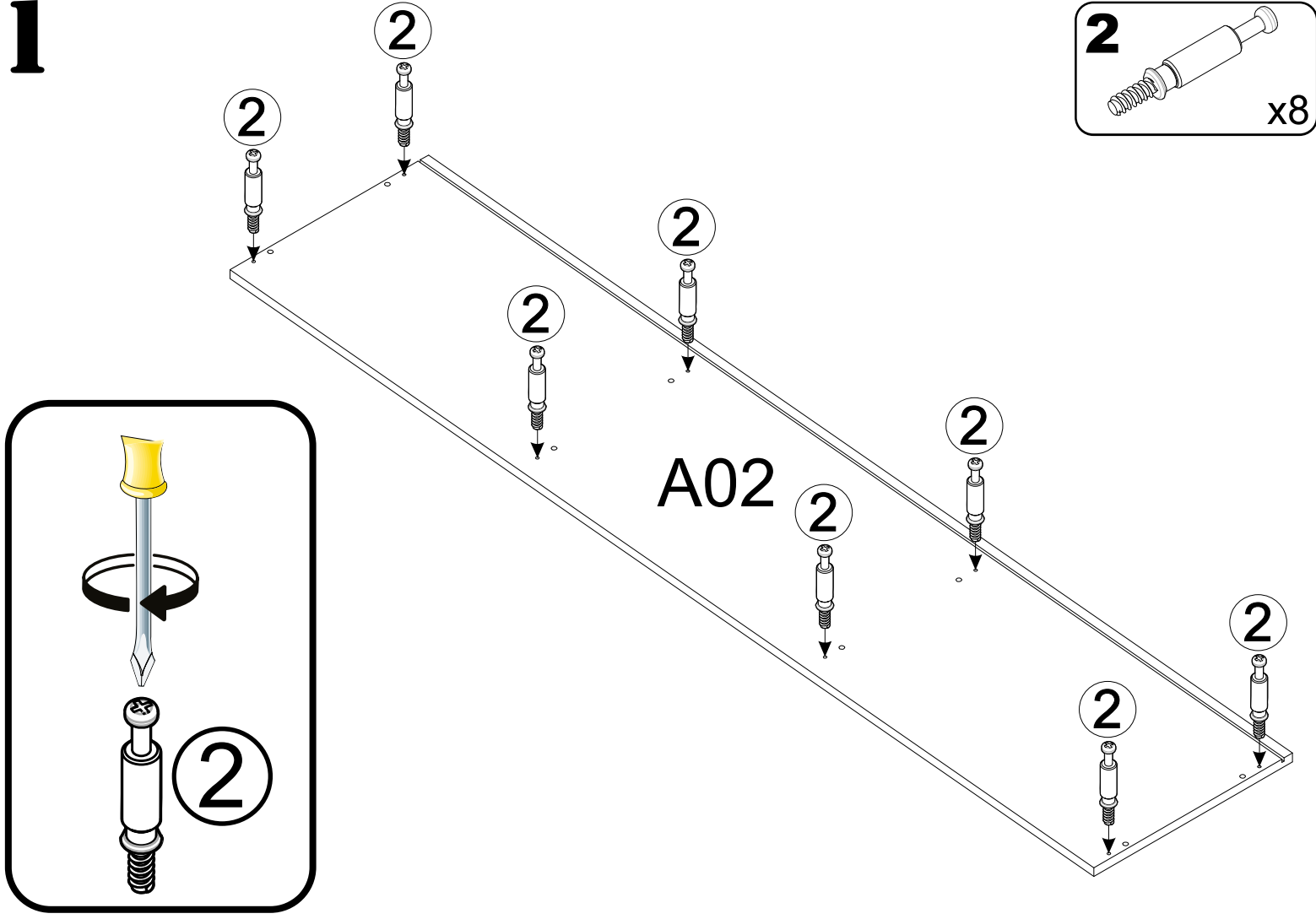


A

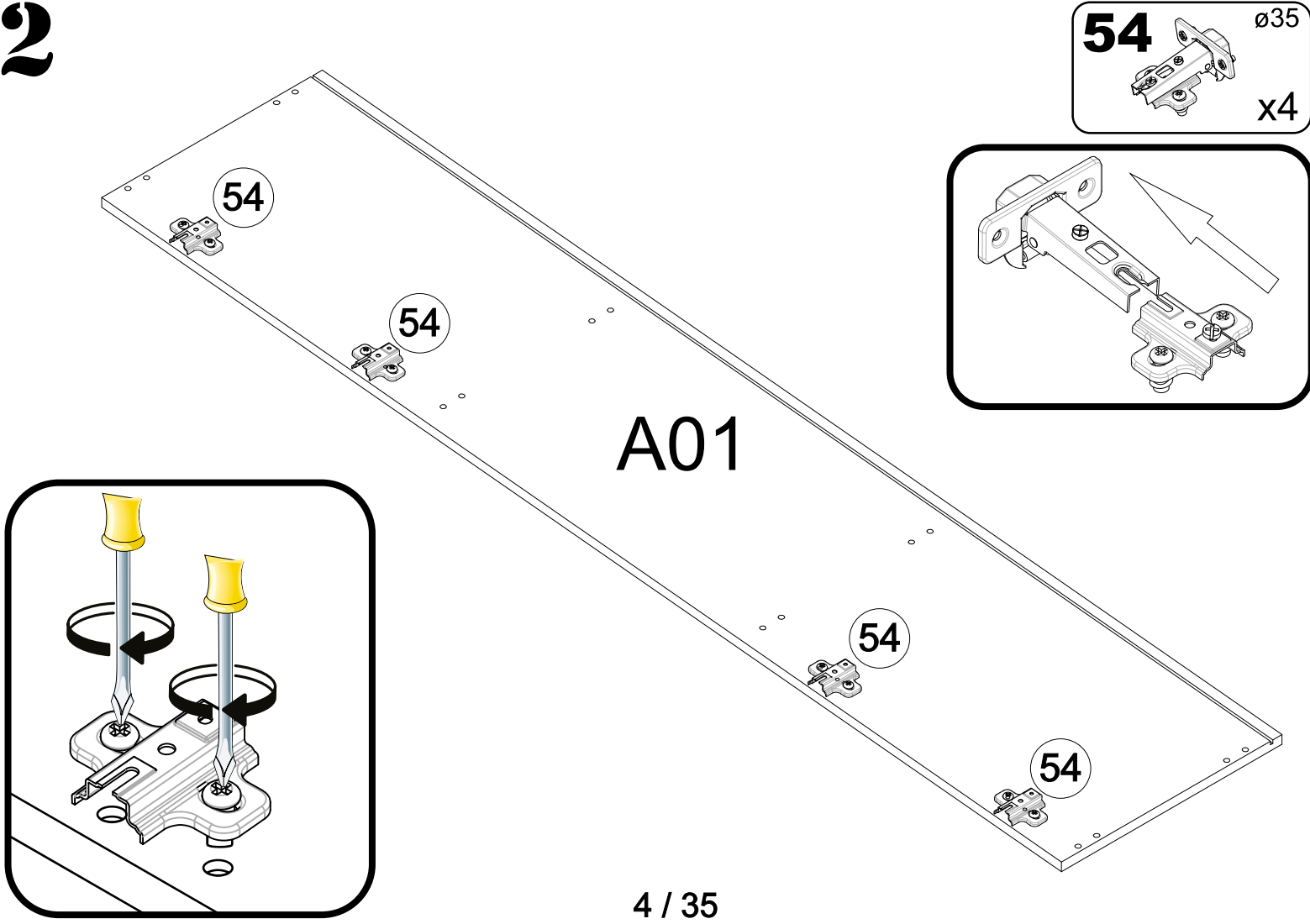


A	B (mm)	C (mm)	D (mm)	E	3 4
A01	1802	380	16	1	3 4
A02	1802	380	16	1	3 4
A03	196	380	16	1	3 4
A04	196	380	16	1	3 4
A05	196	360	16	1	3 4
A06	196	360	16	1	3 4
A30	206	589	3	2	3 4
A31	206	600	3	1	3 4
A40	596	224	16	2	3 4
AD1	554	353	3	1	3 4
AS1	596	224	16	1	3 4
AT1	544	81	16	1	3 4
WQ1	350	96	12	1	3 4
WQ2	350	96	12	1	3 4

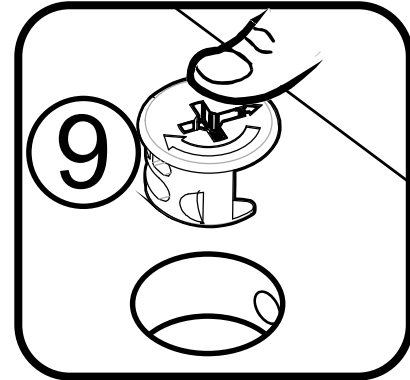
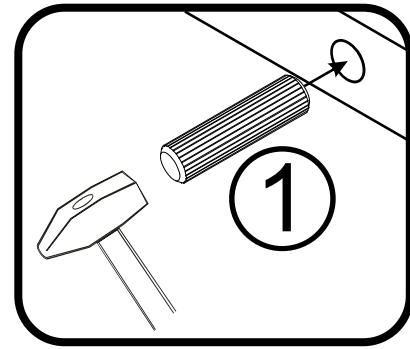
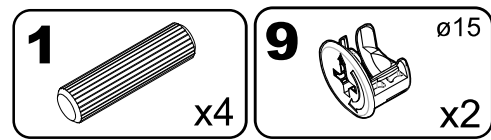
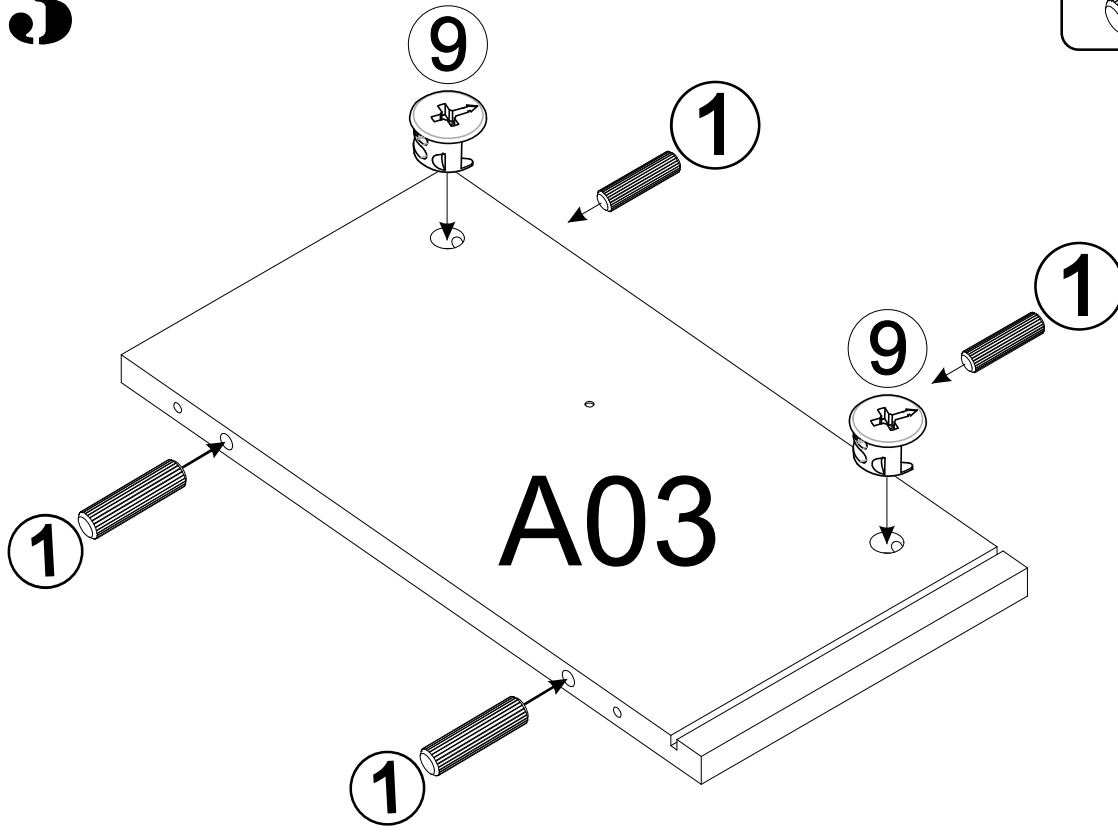
1



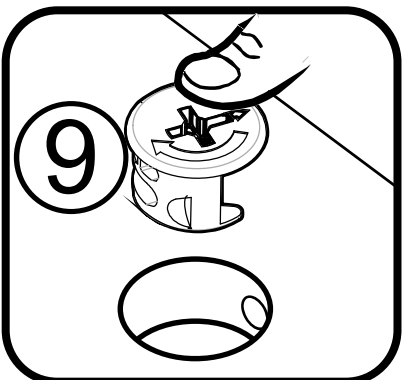
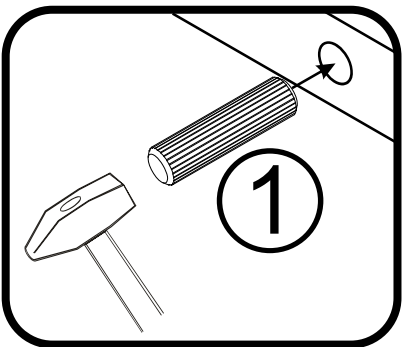
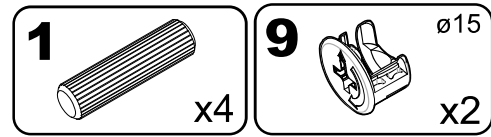
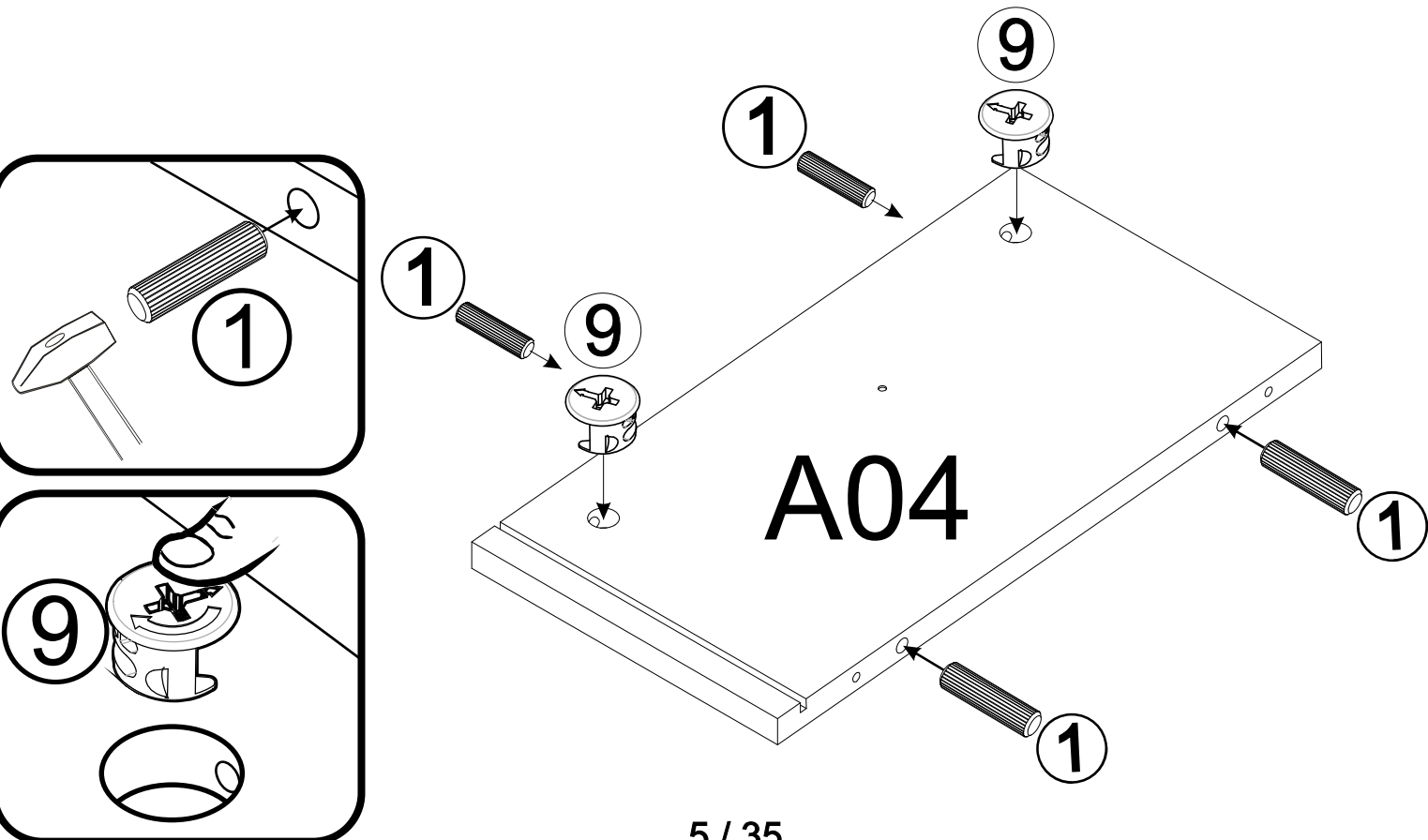
2



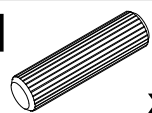

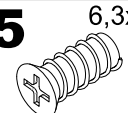
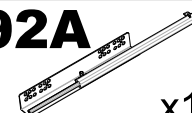
3

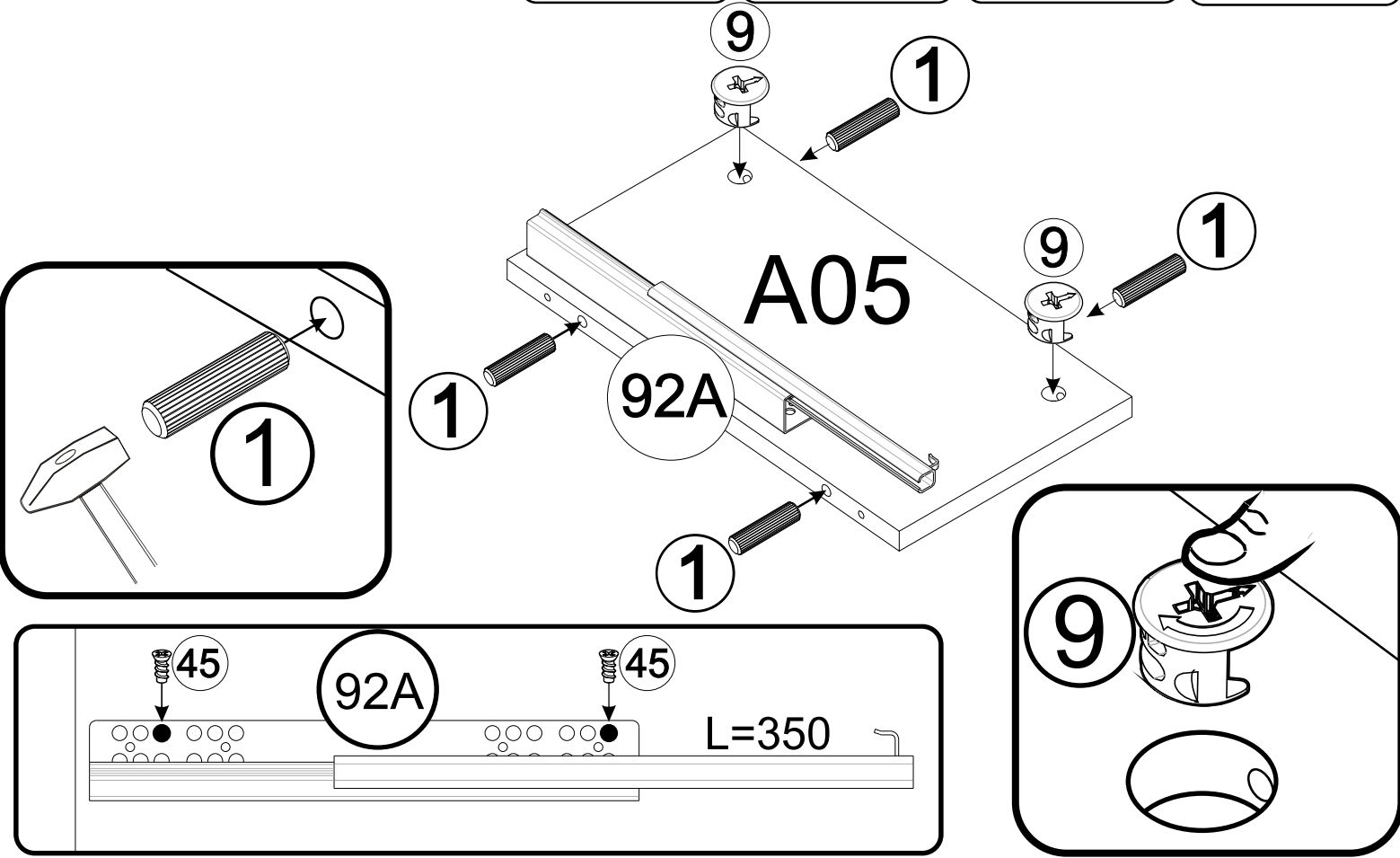


4

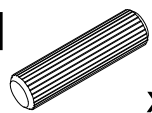


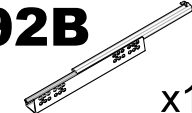


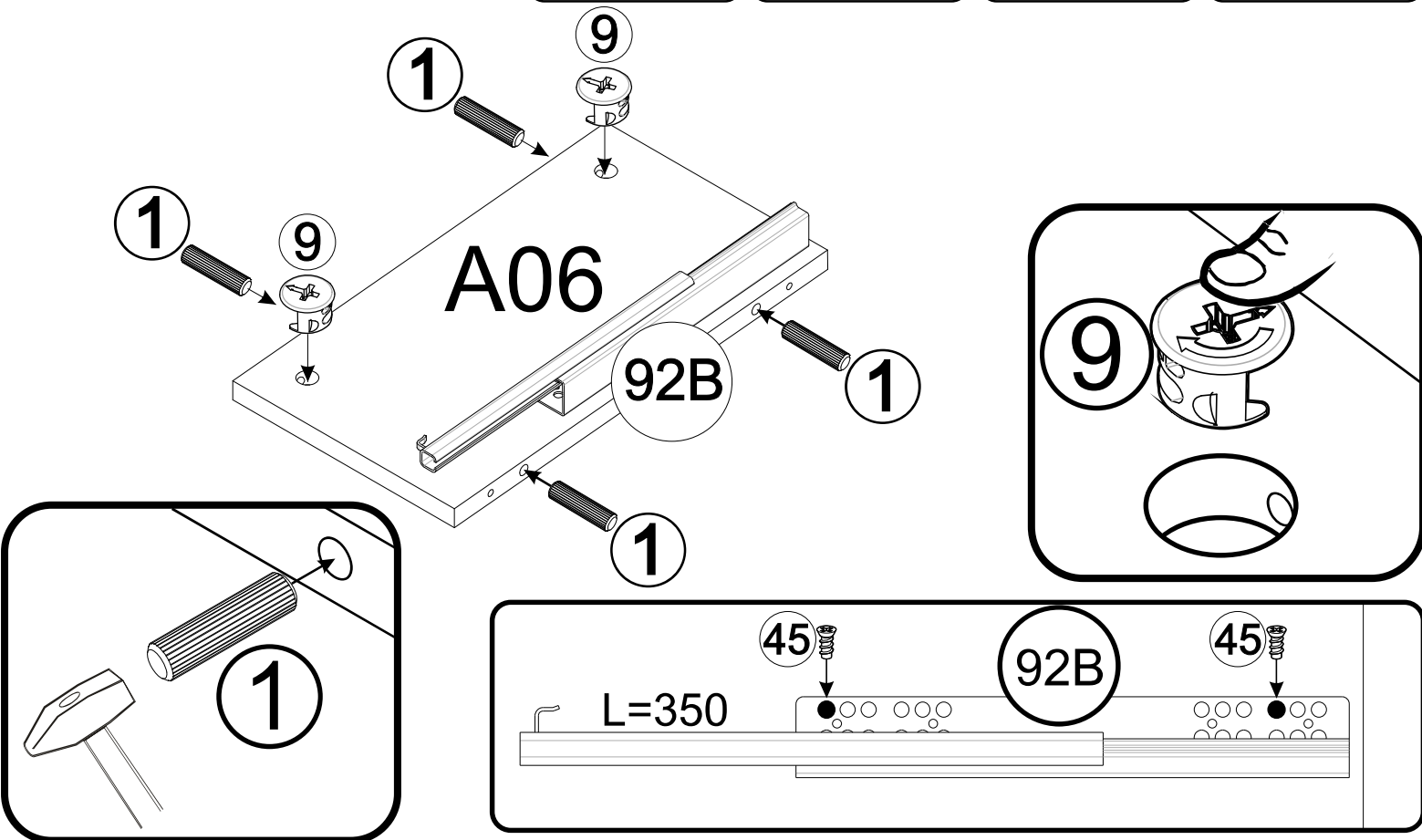
5

- 1**  x4
- 9**  ø15 x2
- 45**  6,3x13 x2
- 92A**  x1



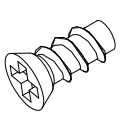
6

- 1**  x4
- 9**  ø15 x2
- 45**  6,3x13 x2
- 92B**  x1

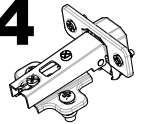
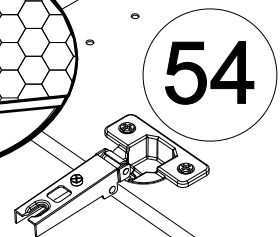
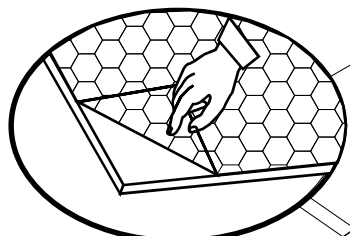


7

6 5x11
x8

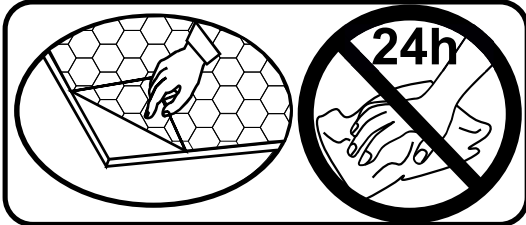
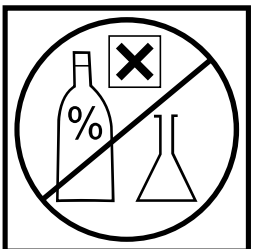
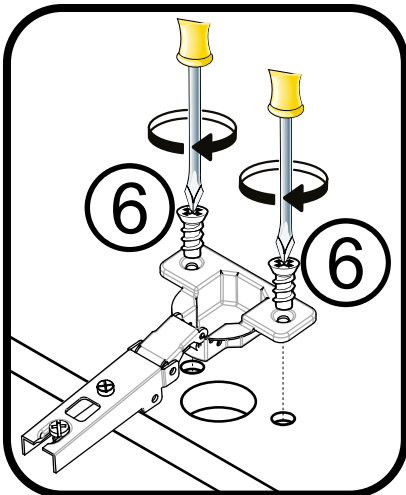


54 ø35
x4

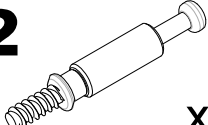
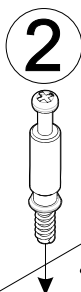
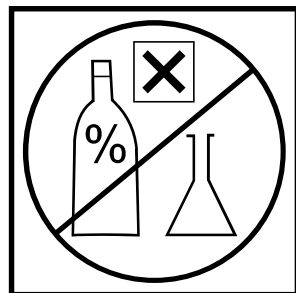
A40

x2

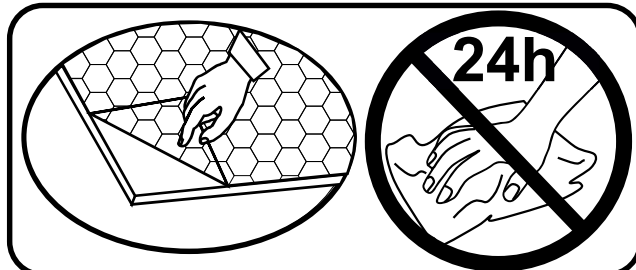
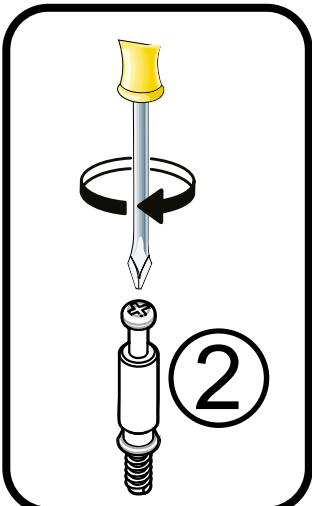
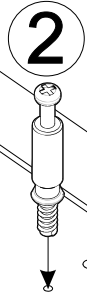
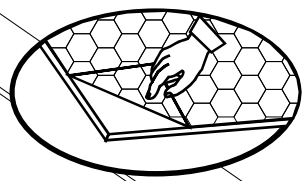


8

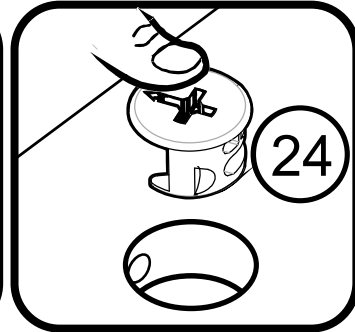
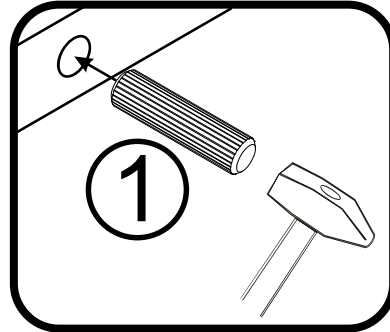
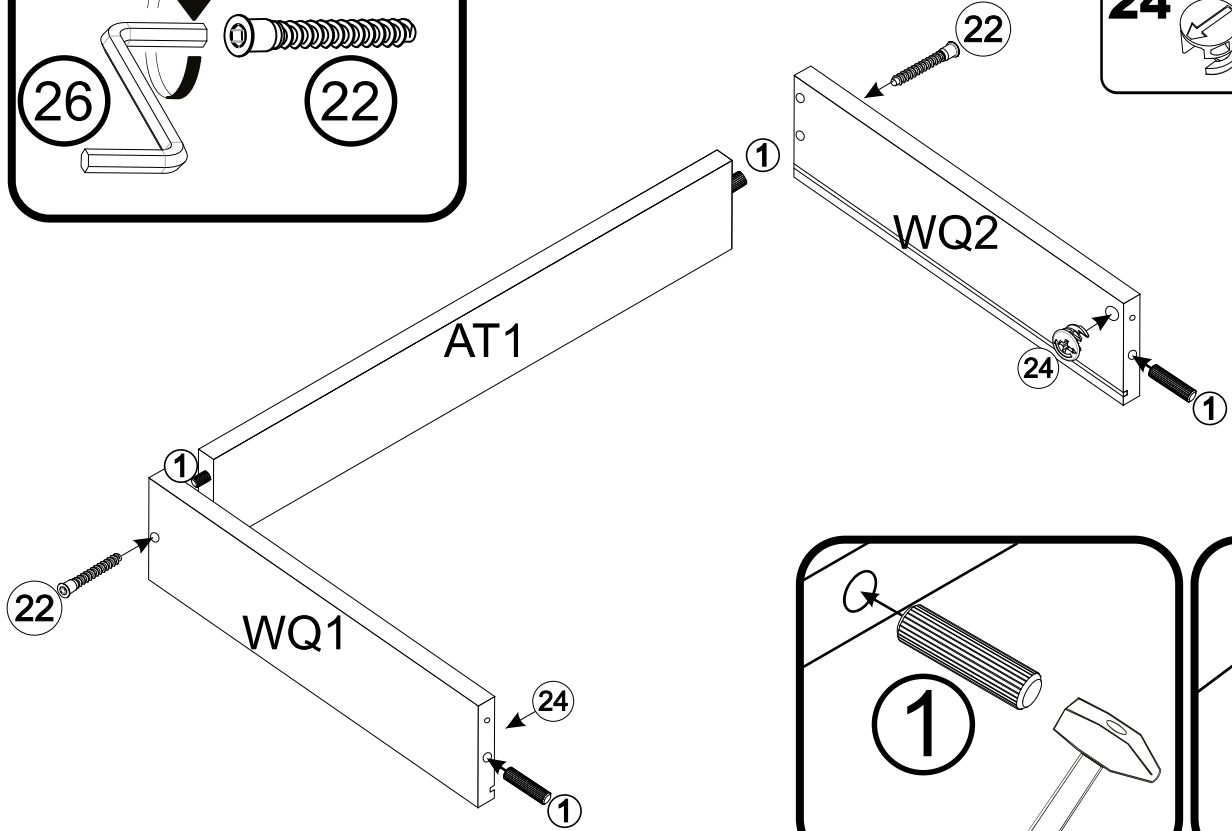
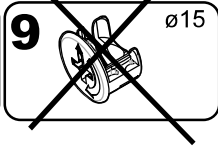
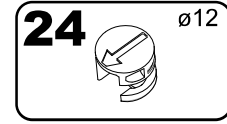
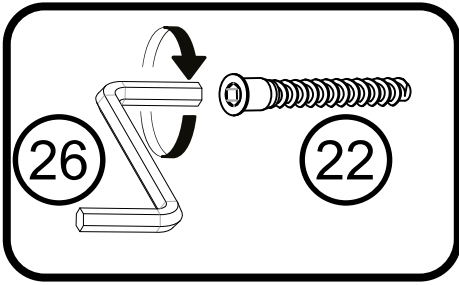
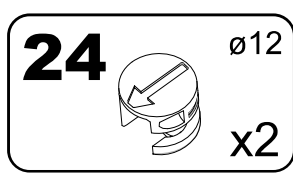
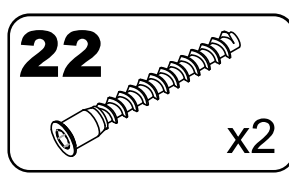
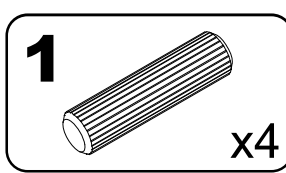
2 x2

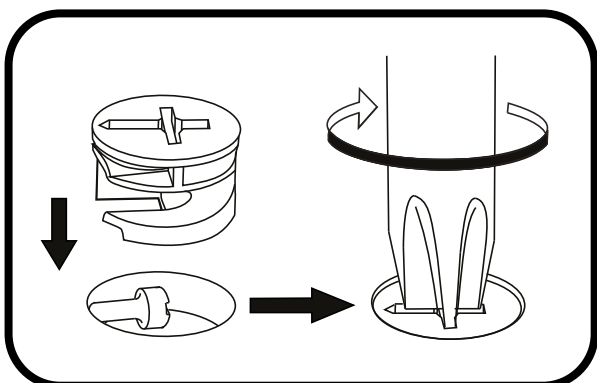
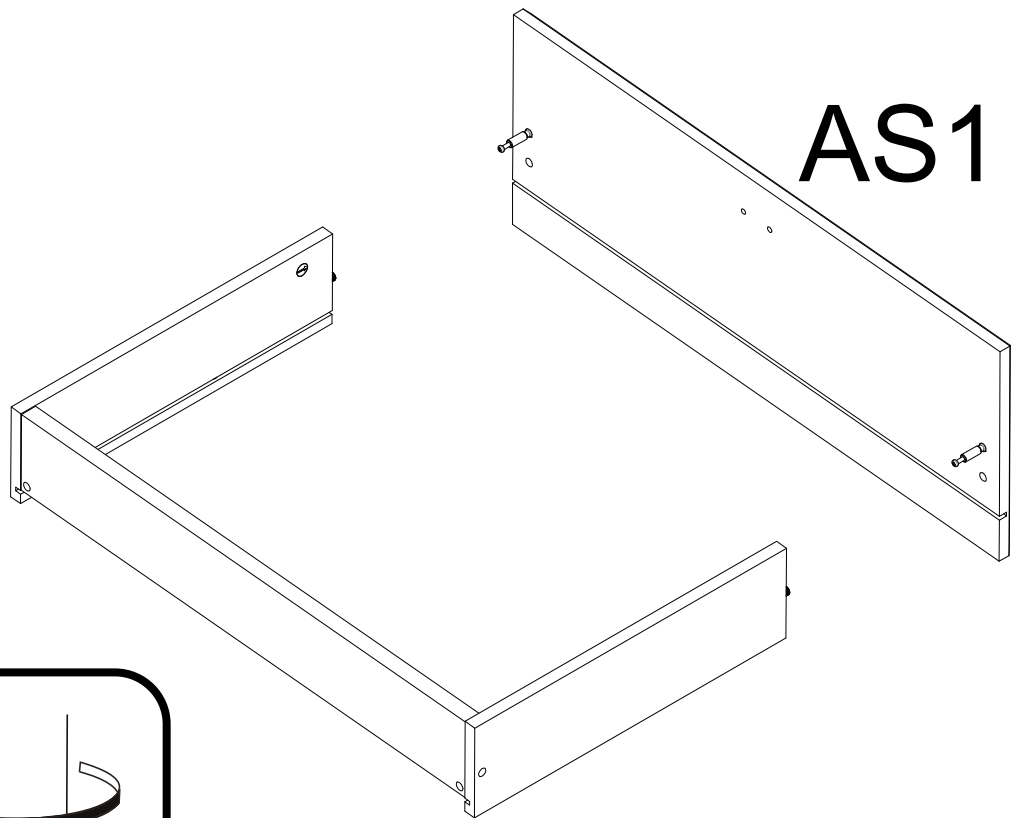
AS1



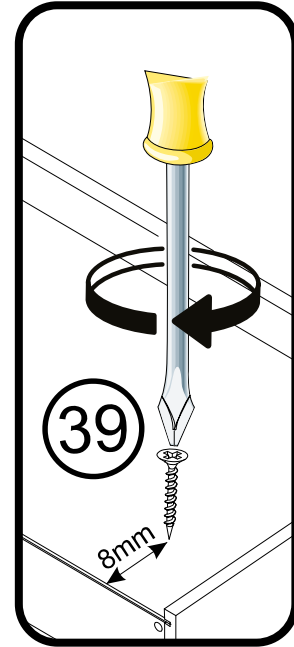
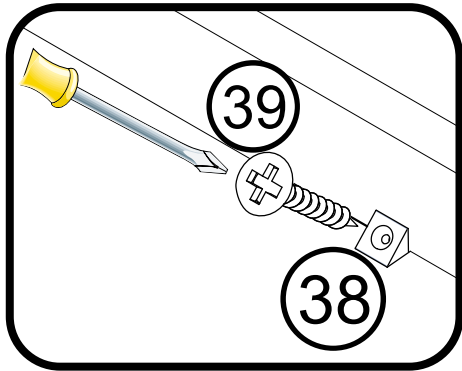
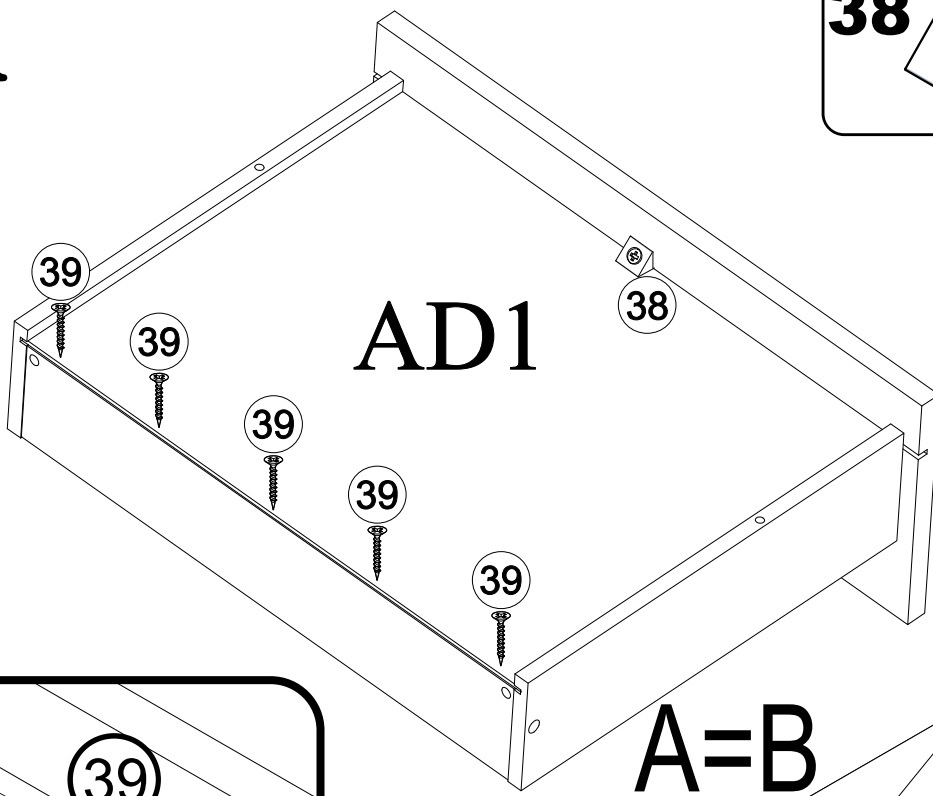
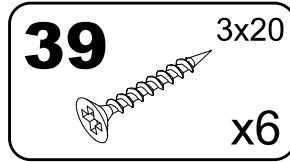
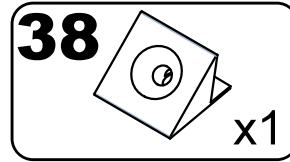
9



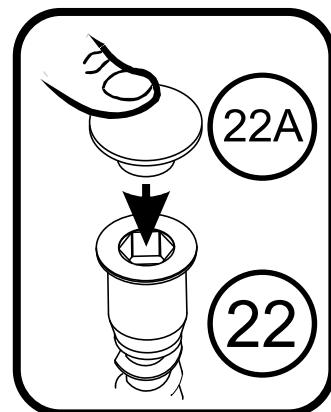
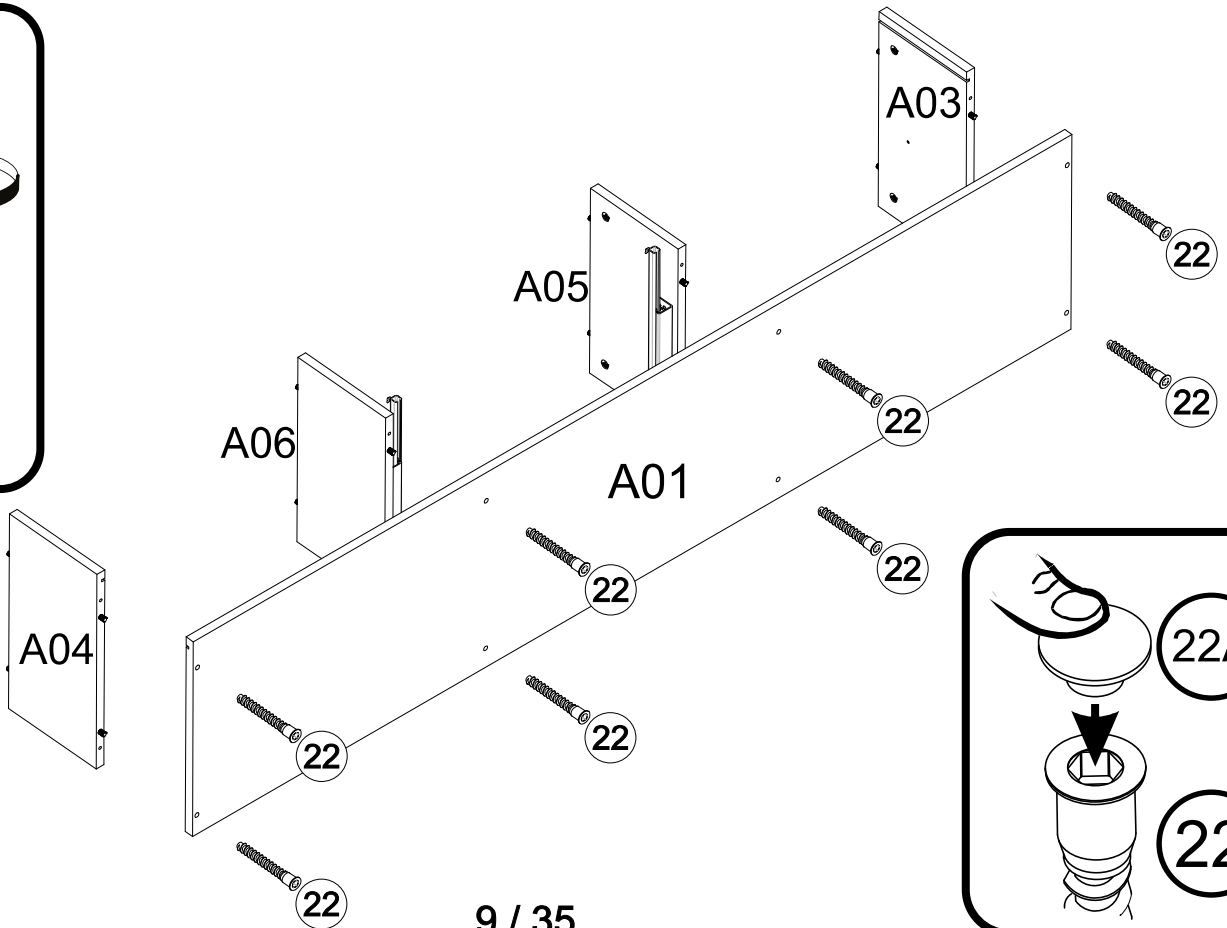
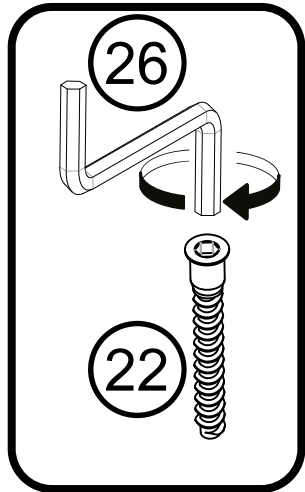
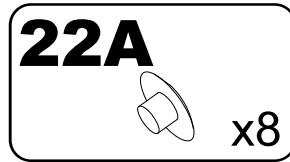
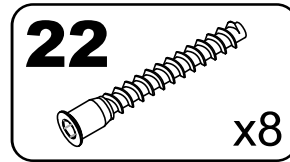
10



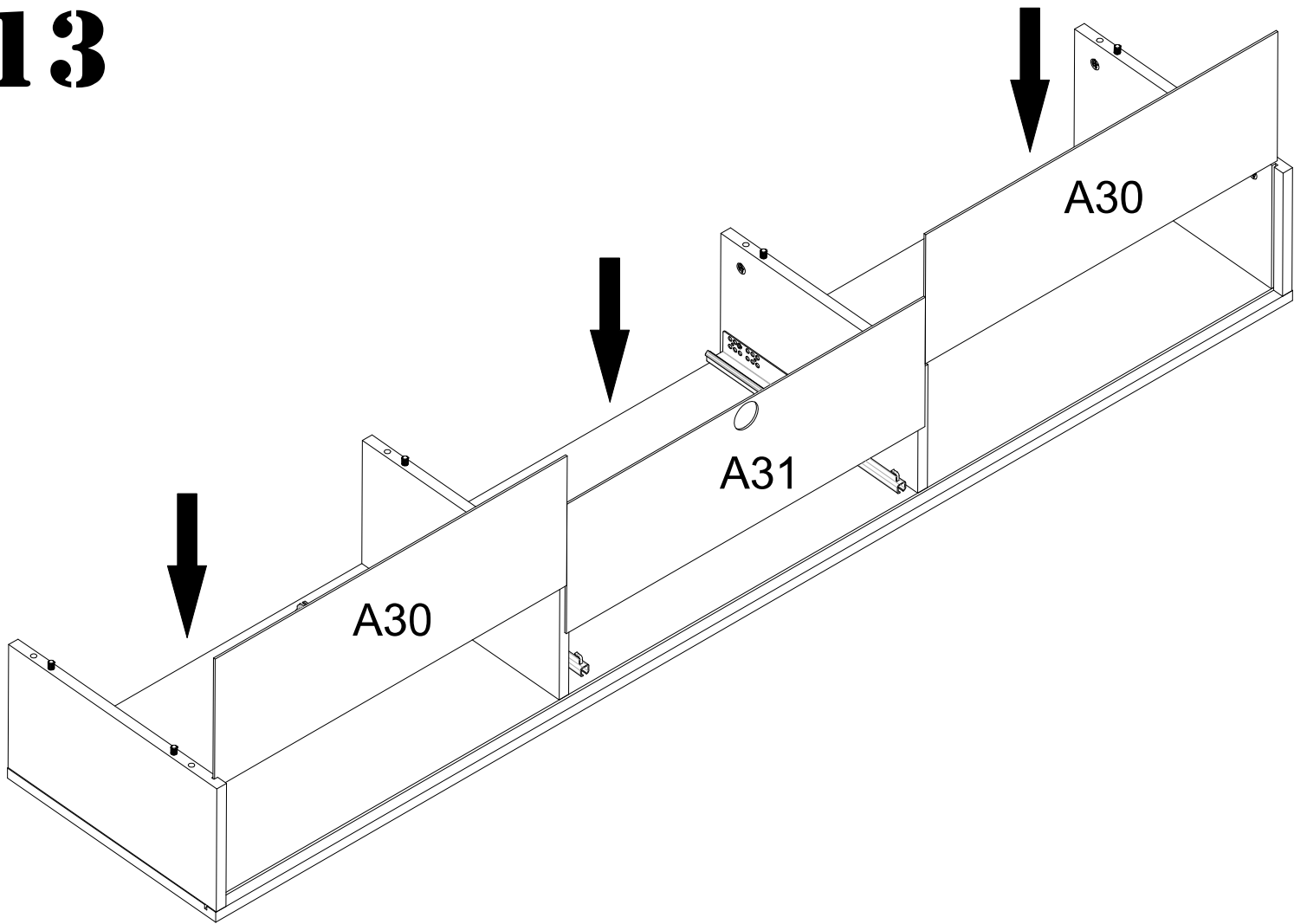
11



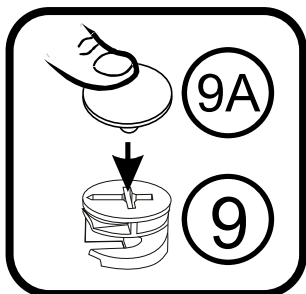
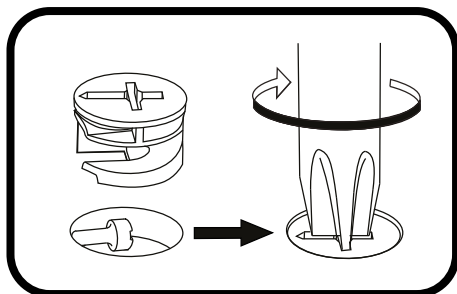
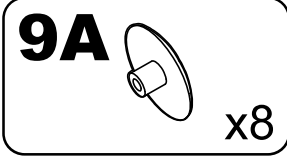
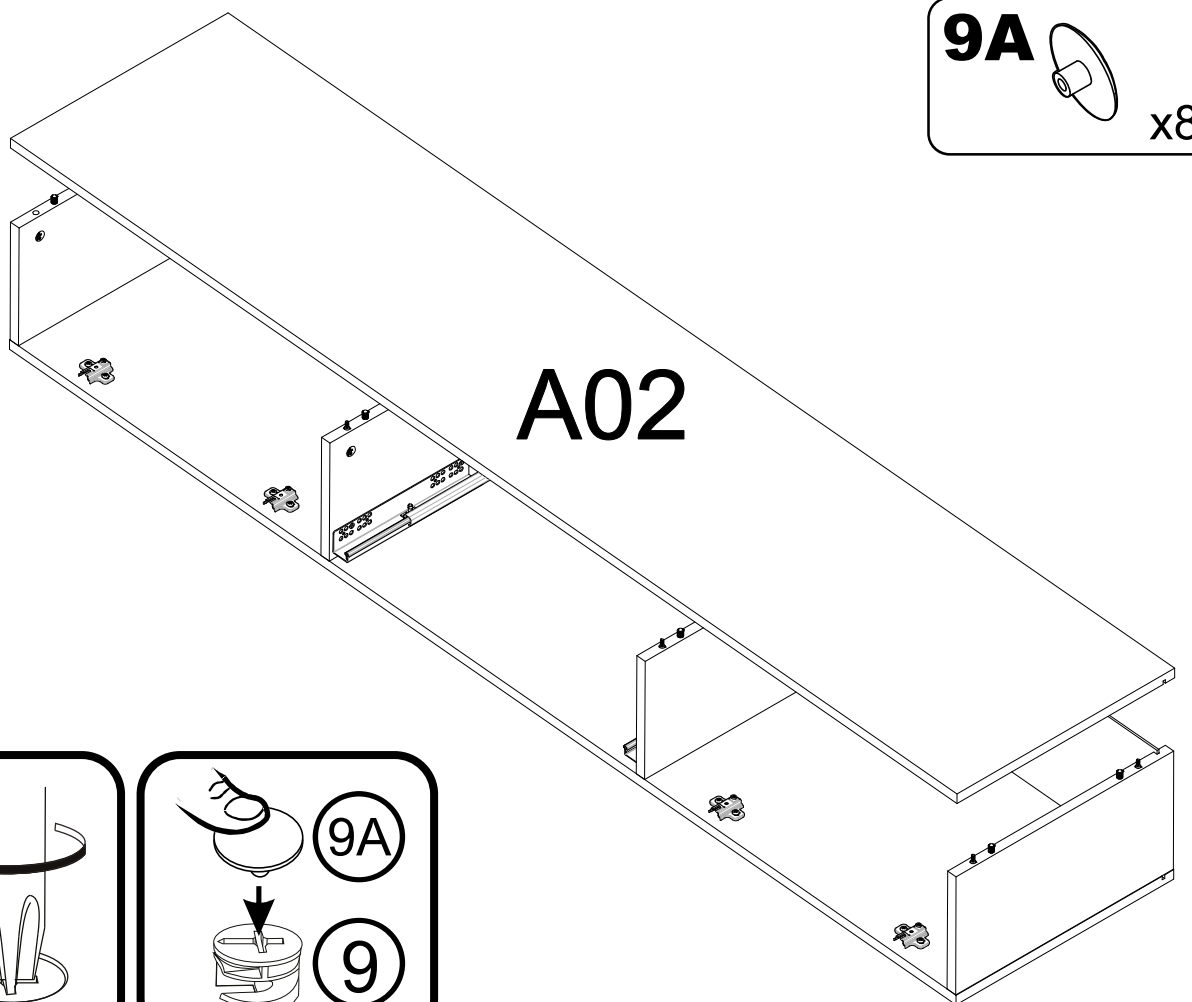
12



13

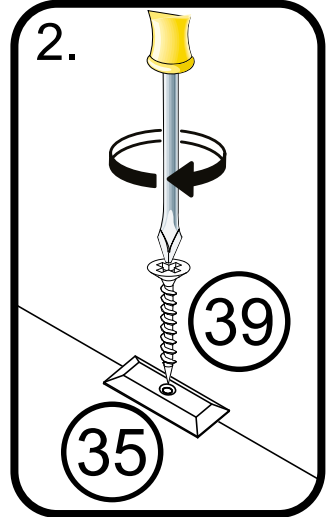
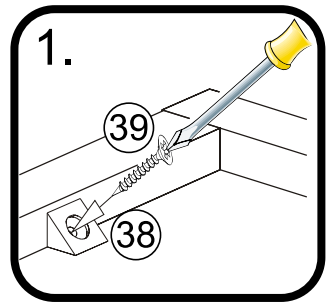
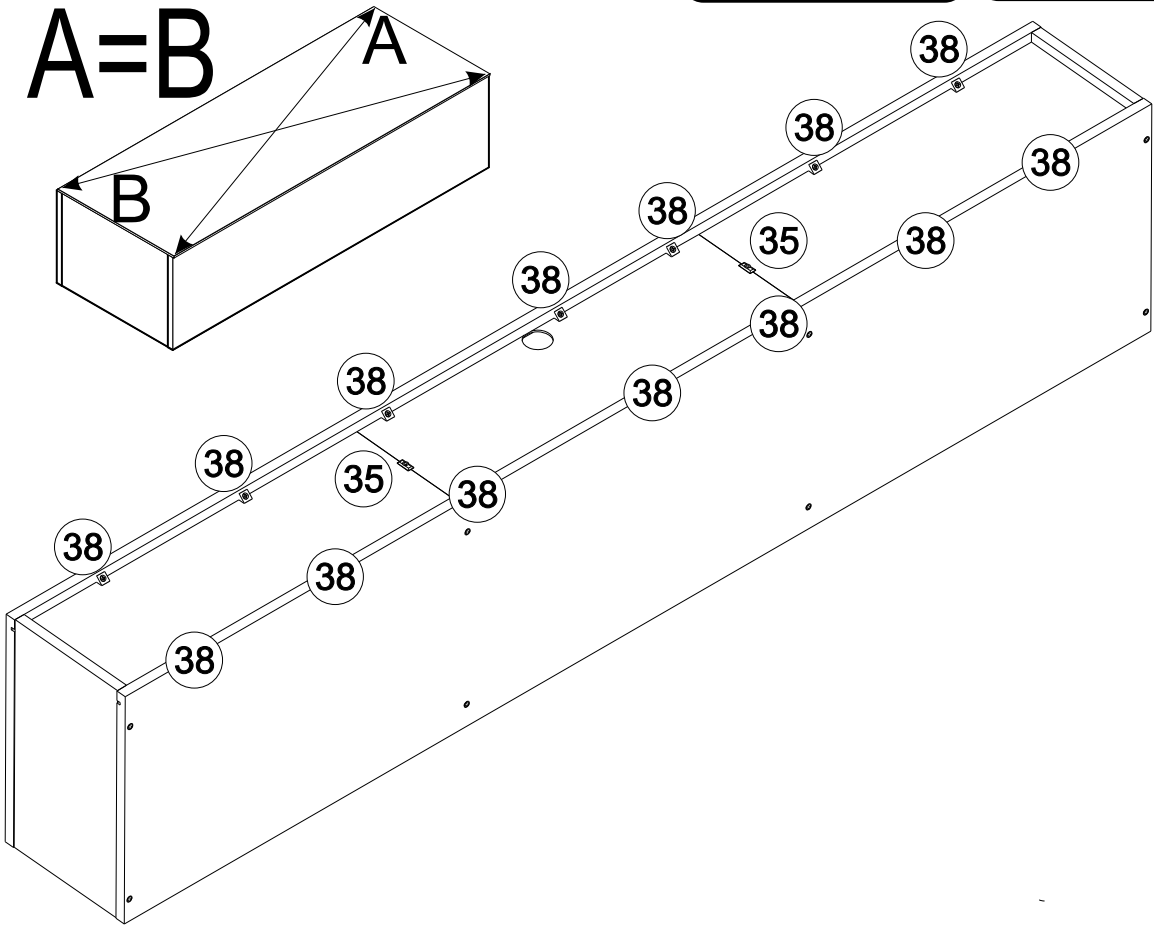
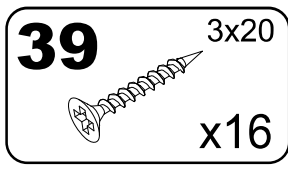
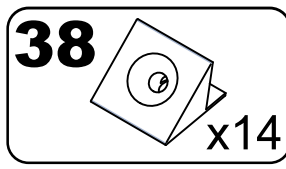
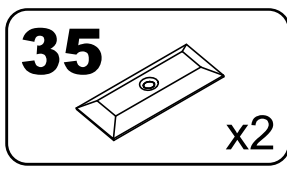


14

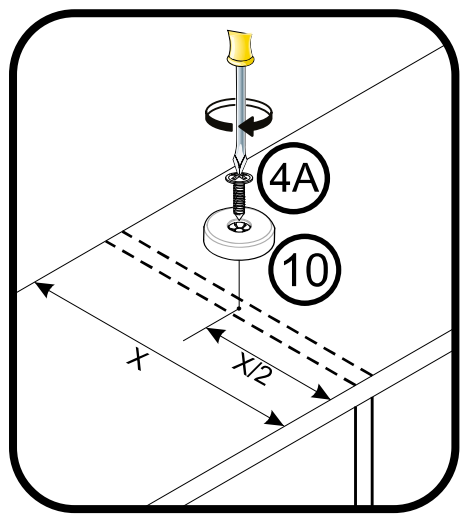
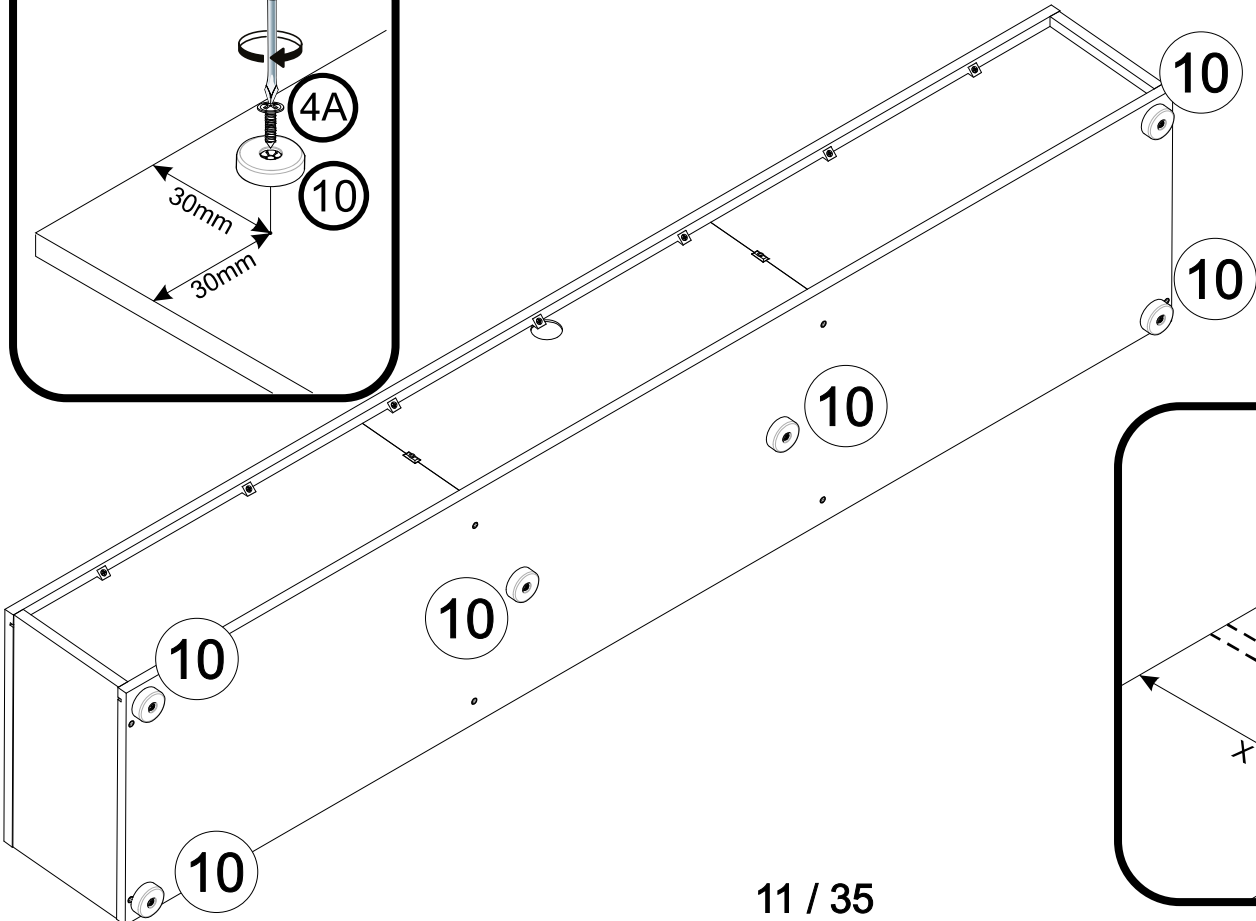
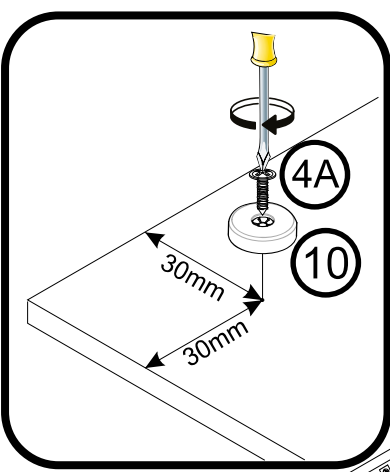
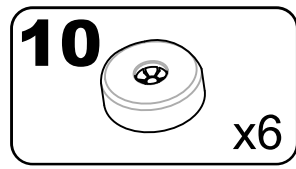
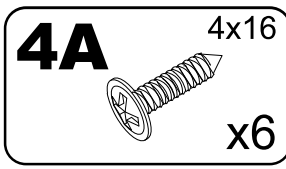


15

A=B

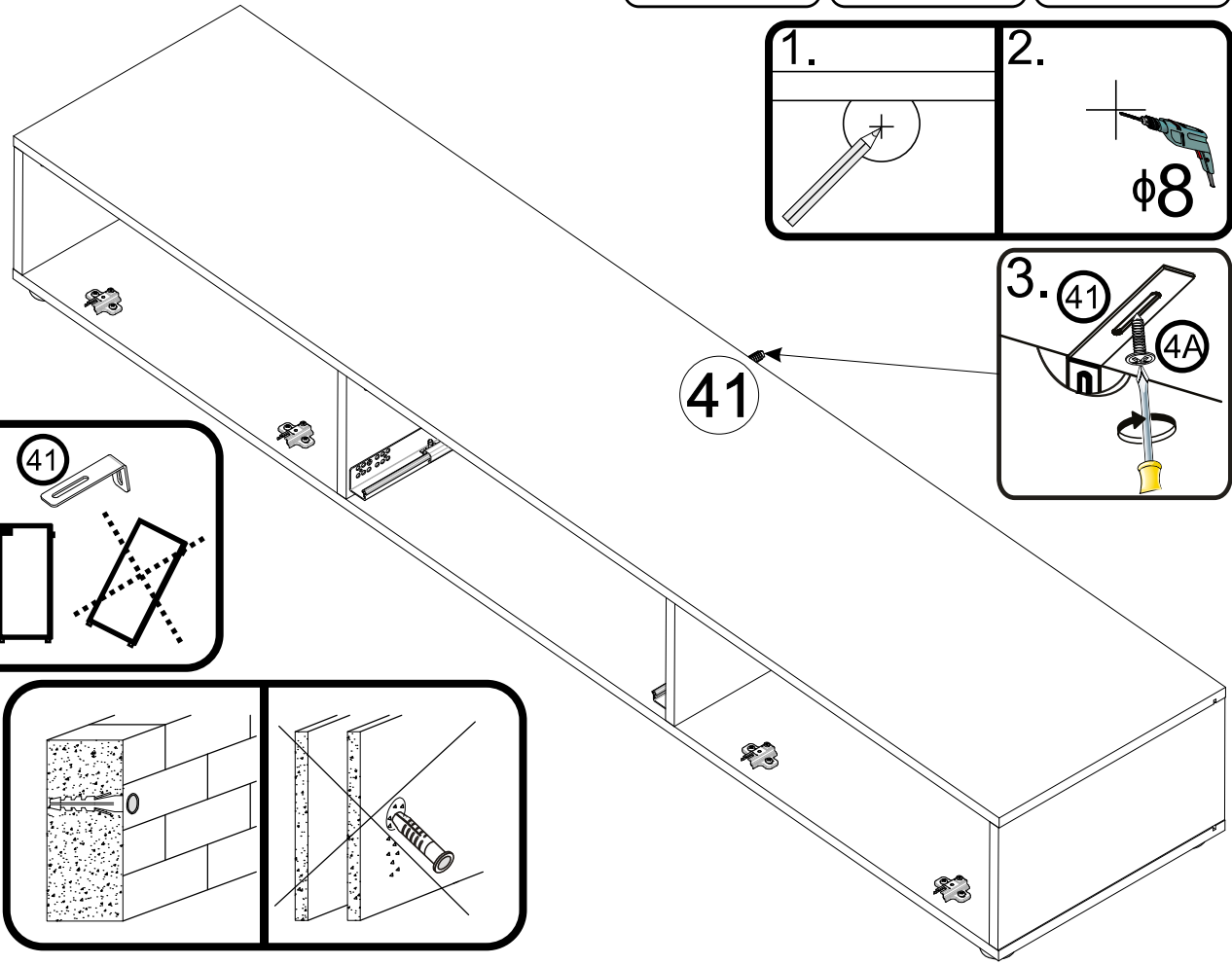
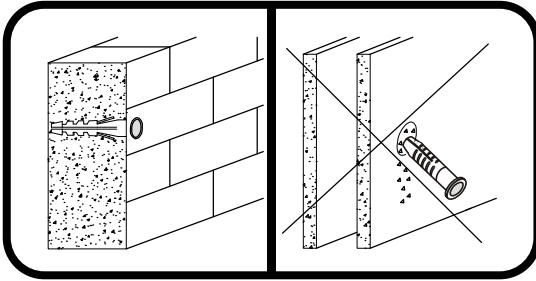
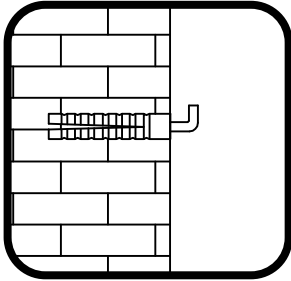
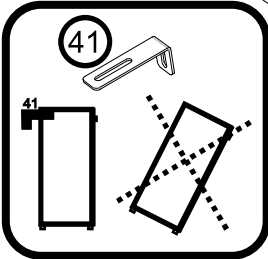
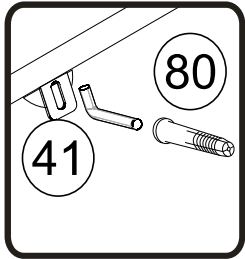
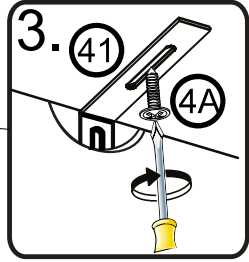
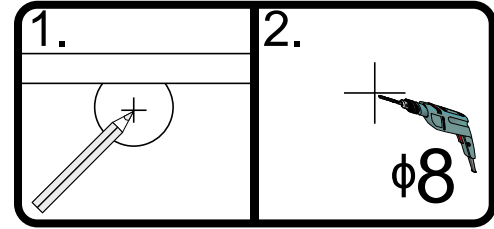


16



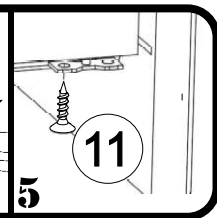
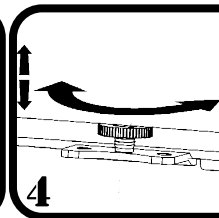
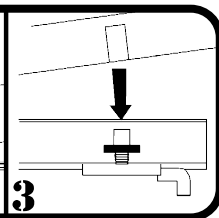
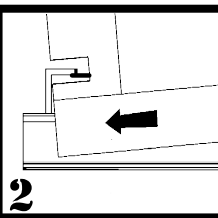
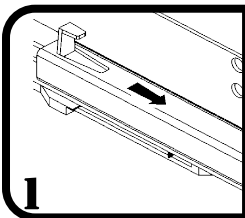
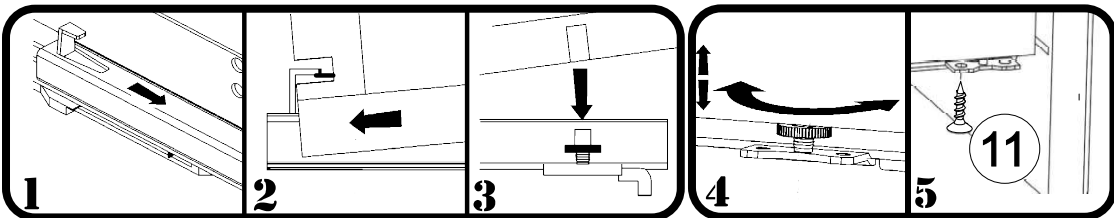
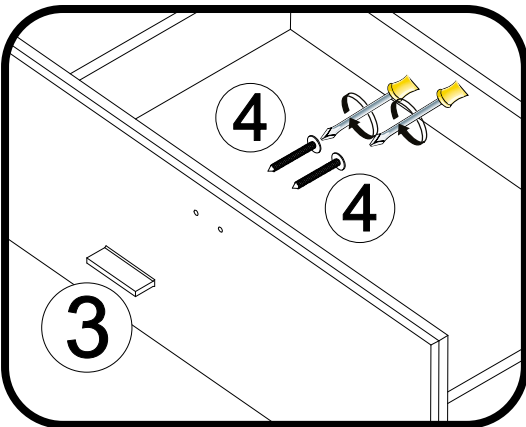
17

- 4A** 4x16 x1
- 41** x1
- 80** x1

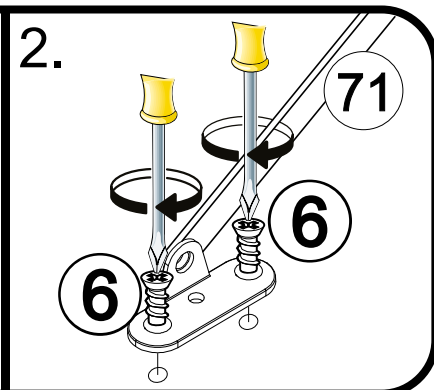
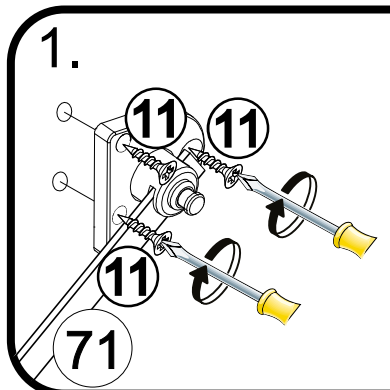
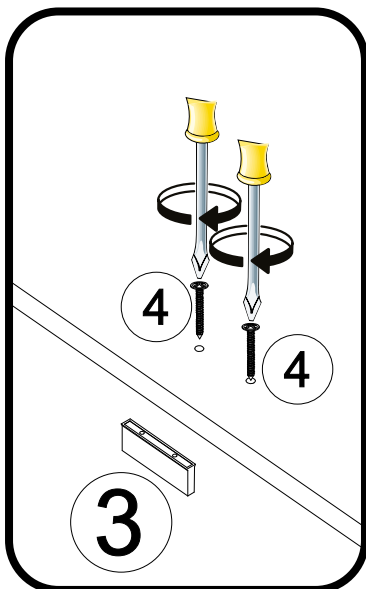
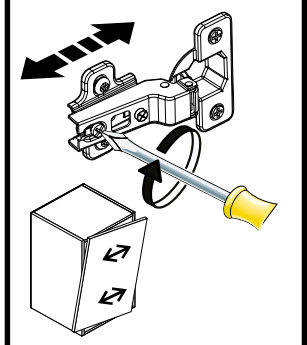
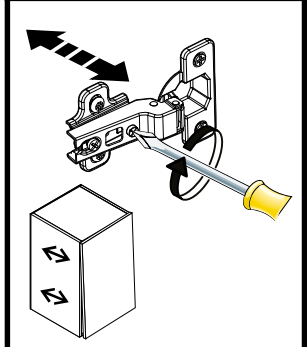
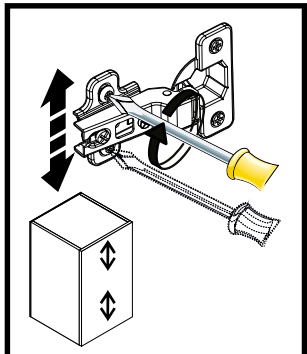
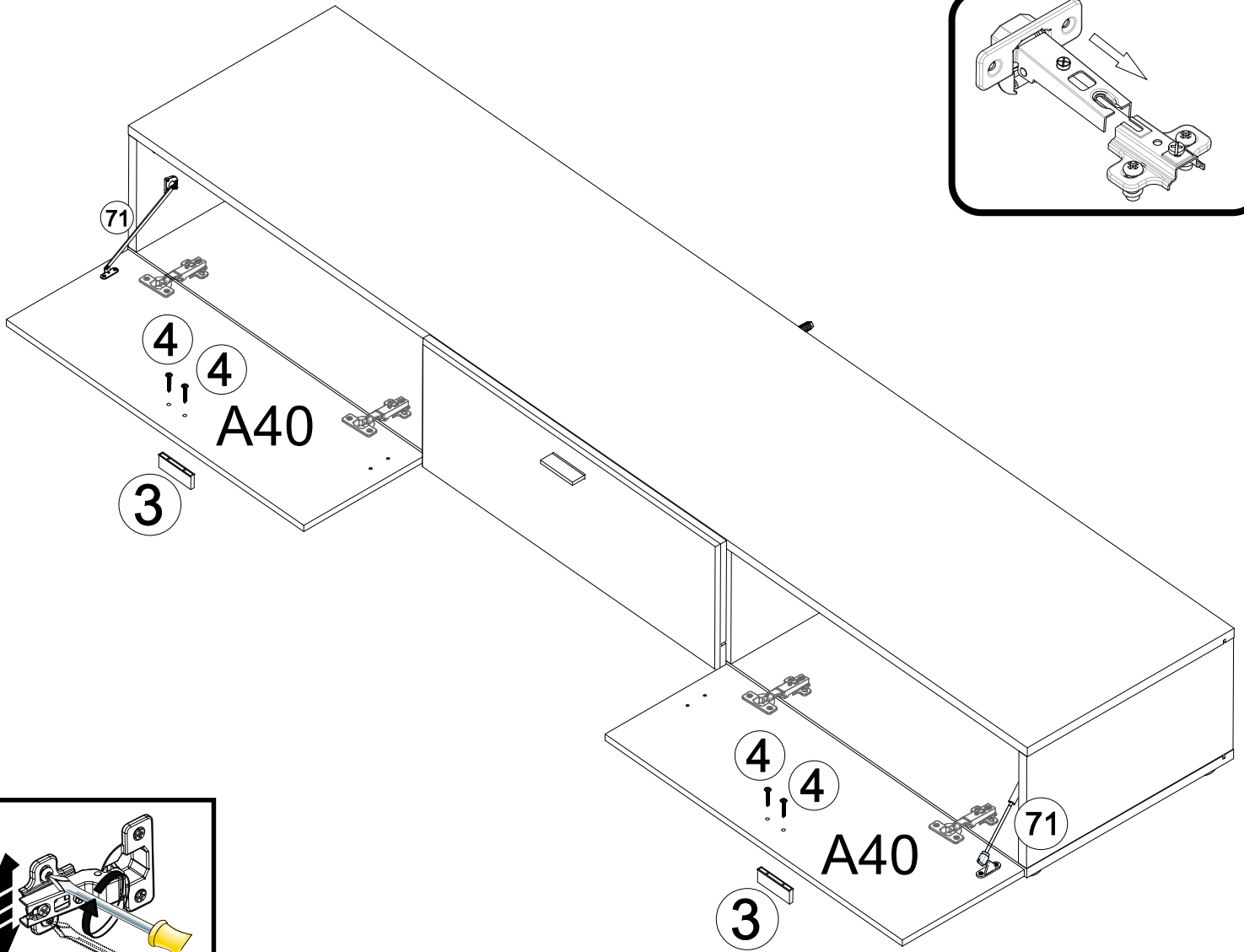
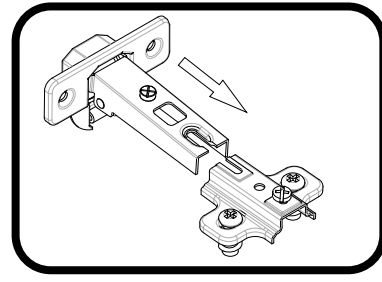
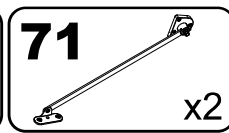
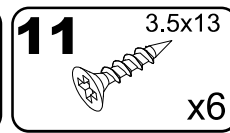
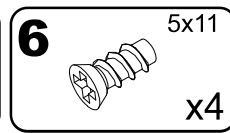
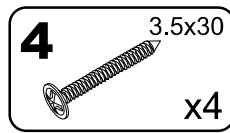
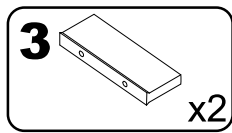


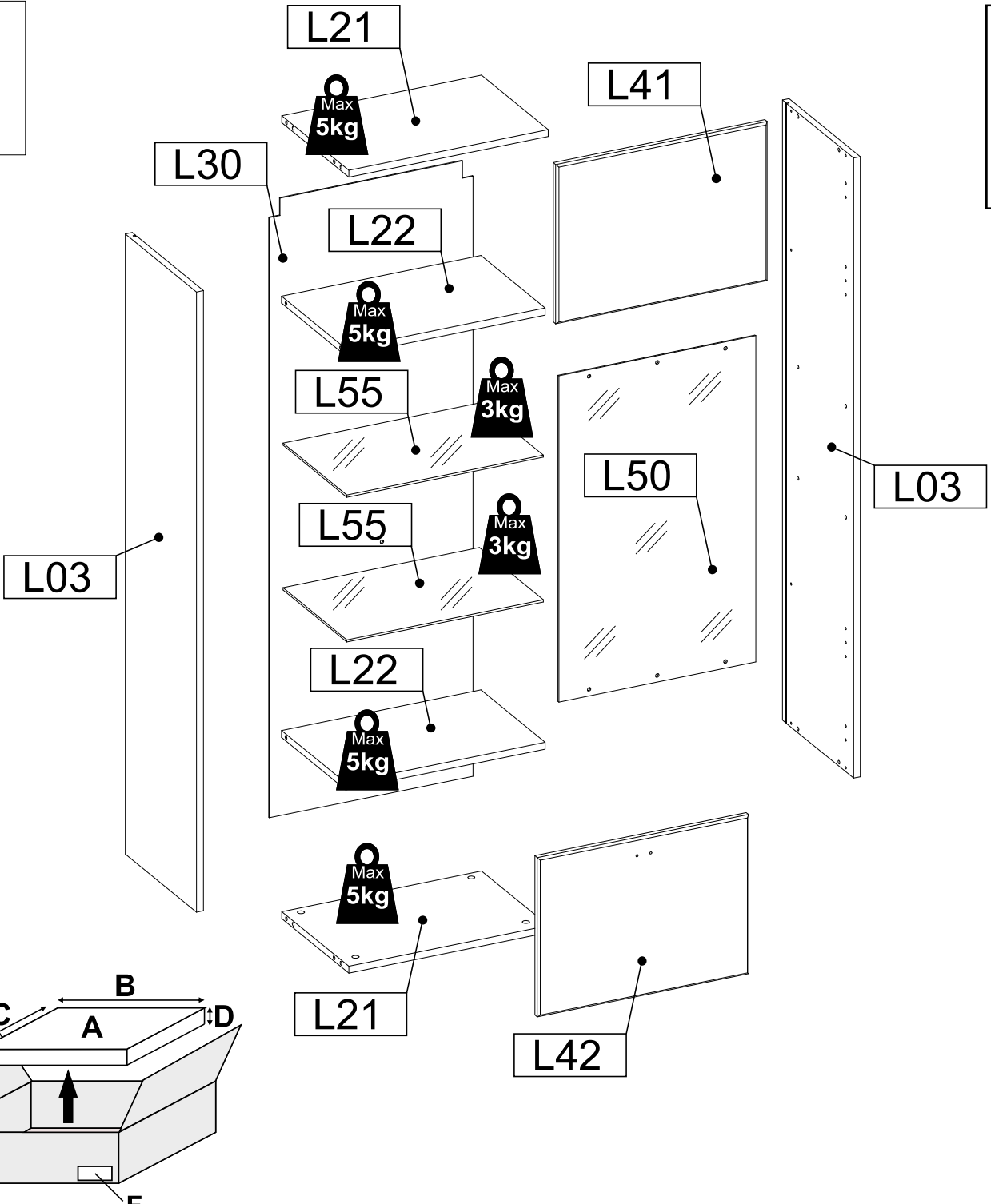
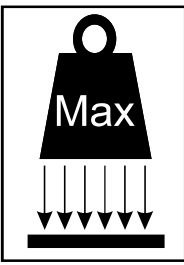
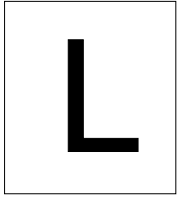
18

- 3** x1
- 4** 3.5x30 x2
- 11** 3.5x13 x2



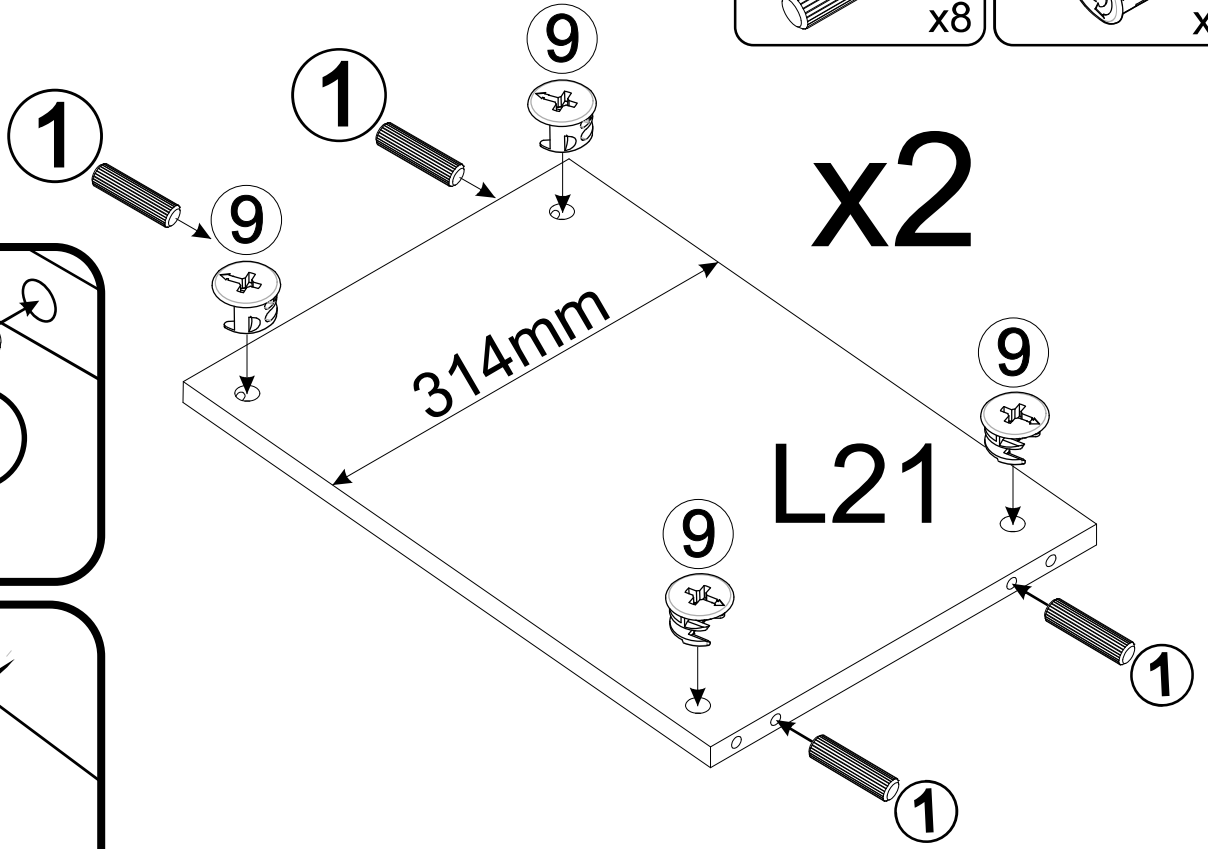
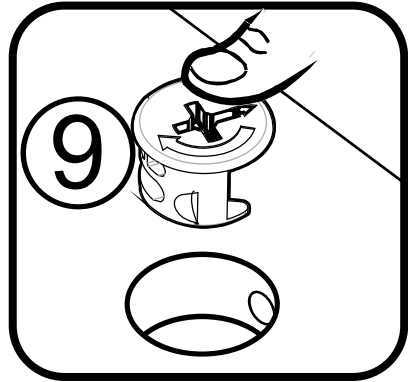
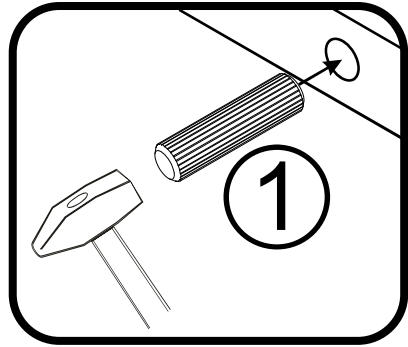
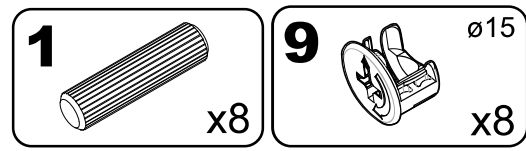
19



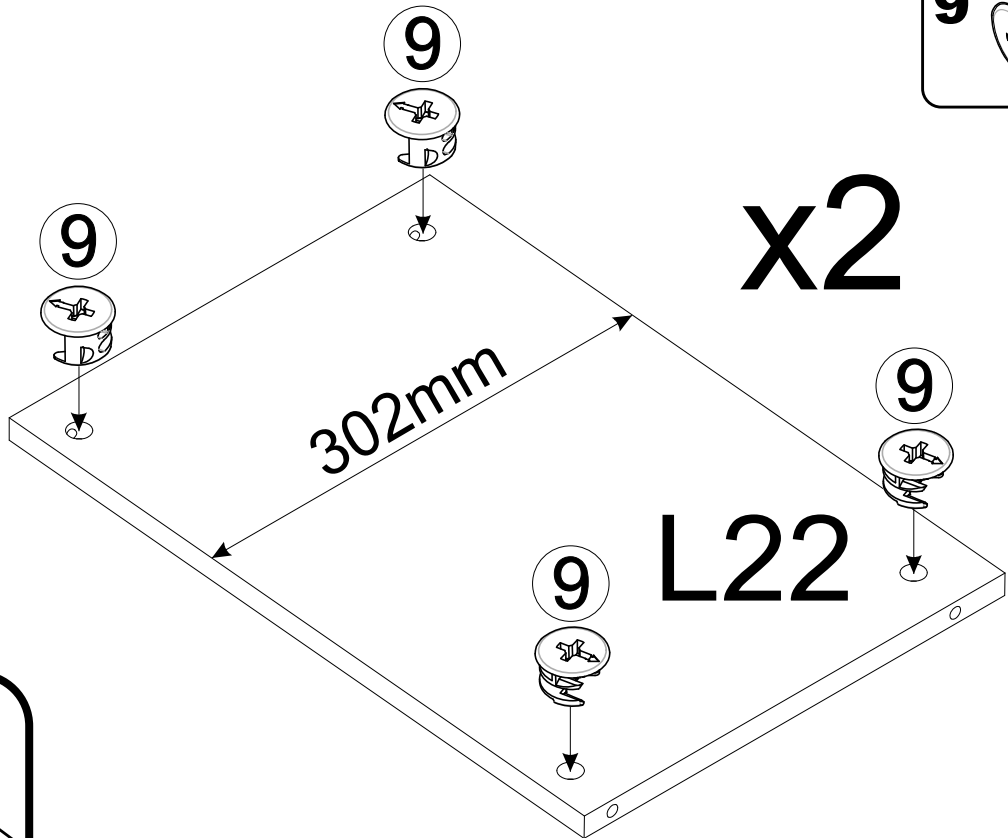
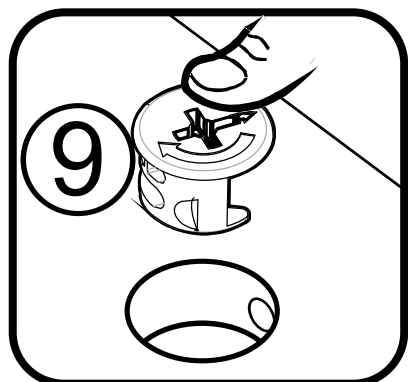
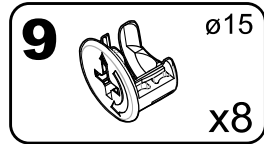


A	B (mm)	C (mm)	D (mm)	E	F
L03	1426	334	16	2	4 4
L21	468	314	16	2	4 4
L22	468	302	16	2	4 4
L30	1420	478	3	1	4 4
L41	496	366	16	1	4 4
L42	496	366	16	1	4 4
L50	750	462	4	1	4 4
L55	461	300	5	2	4 4

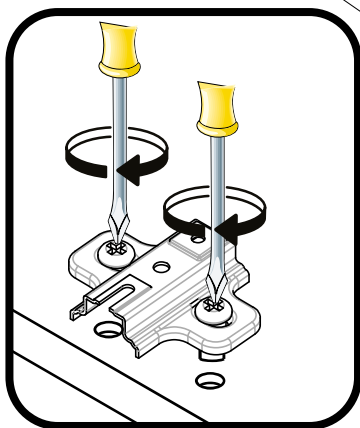
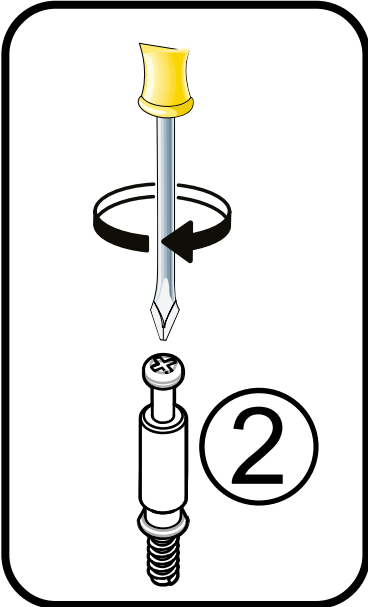
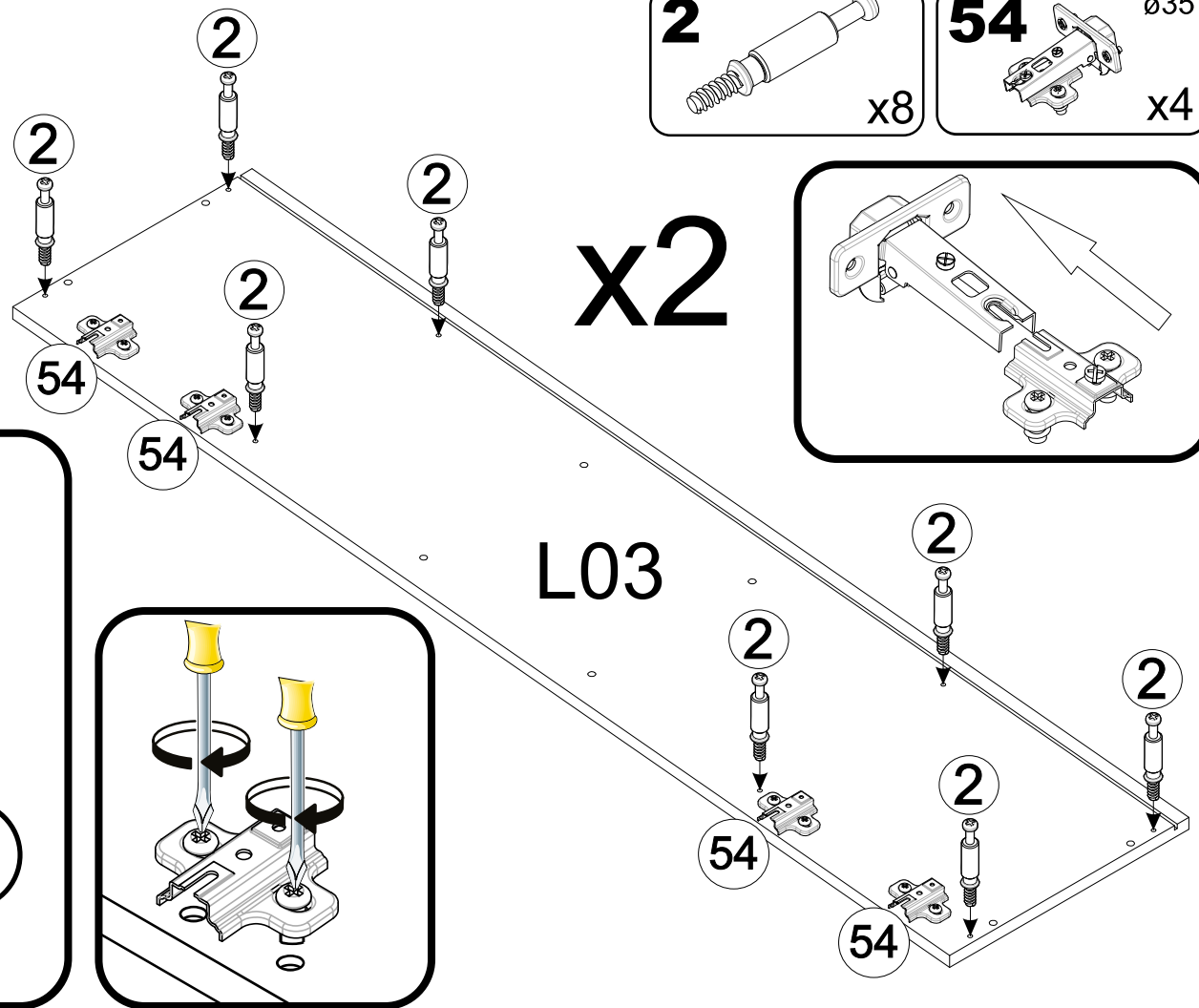
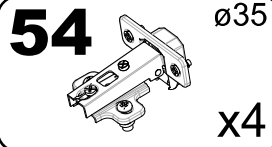
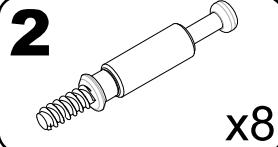
1



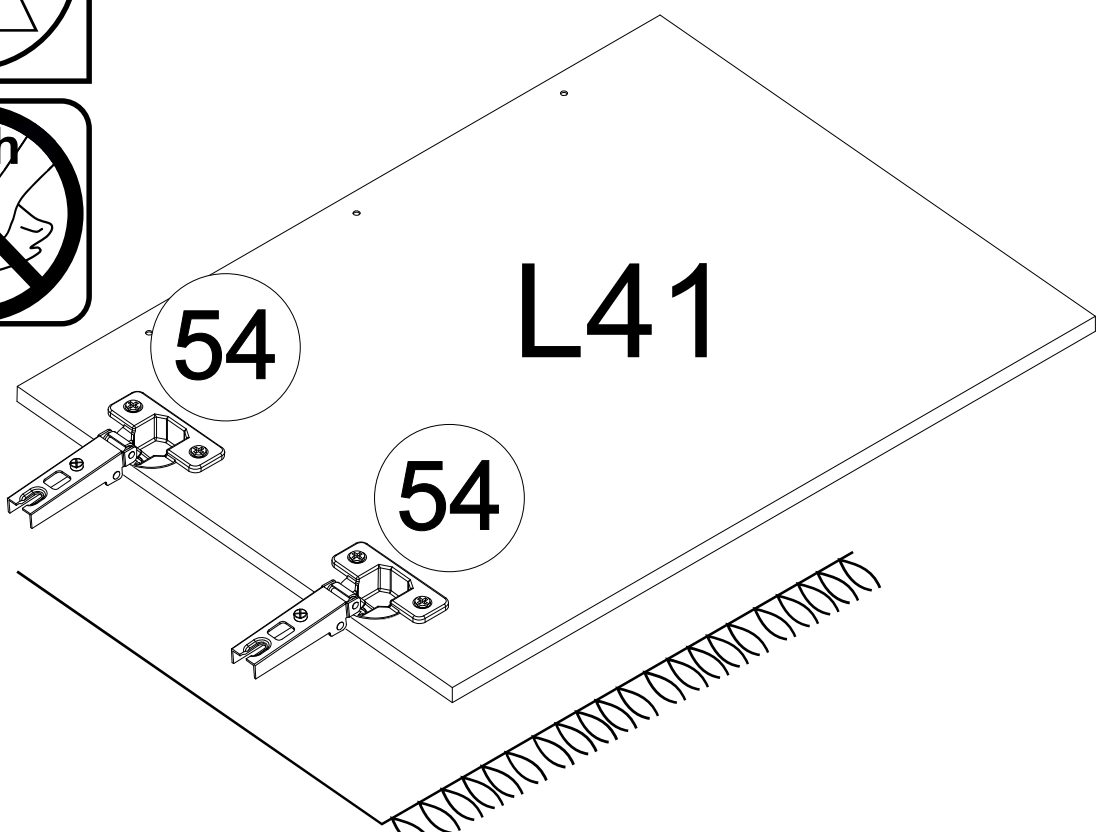
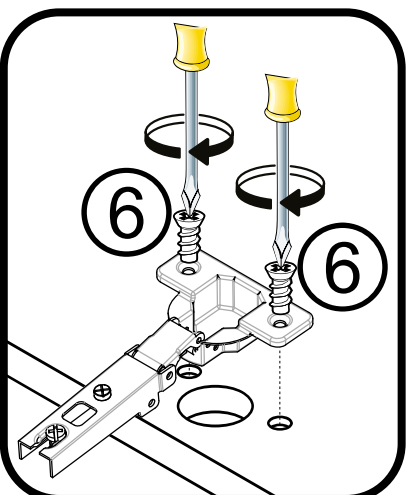
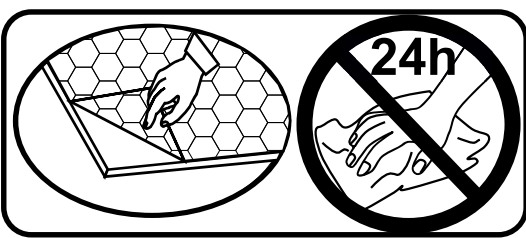
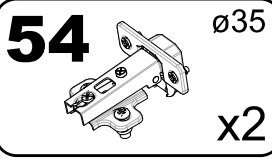
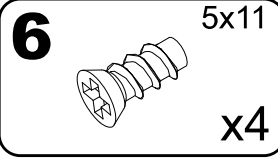
2



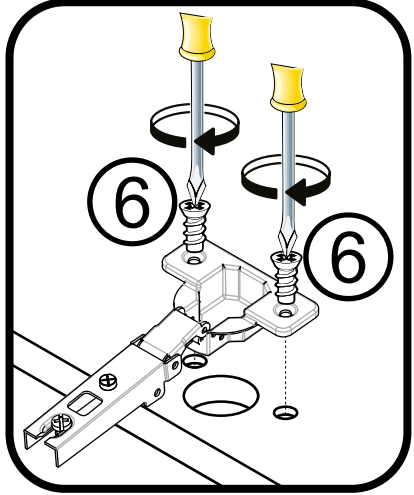
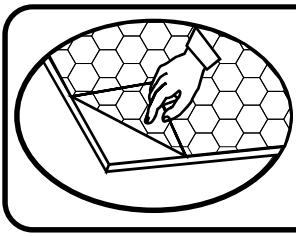
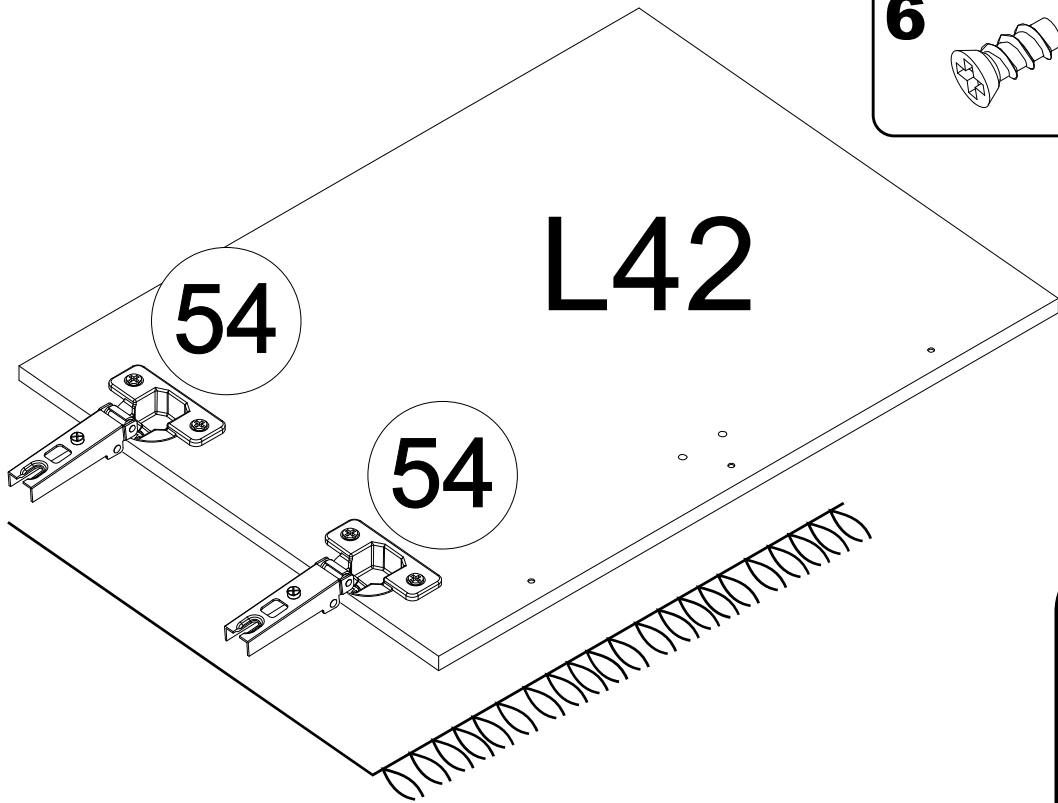
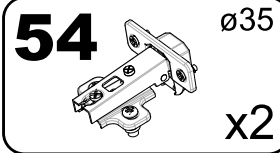
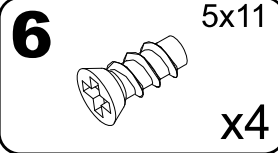
3



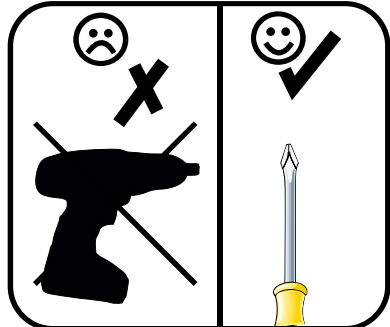
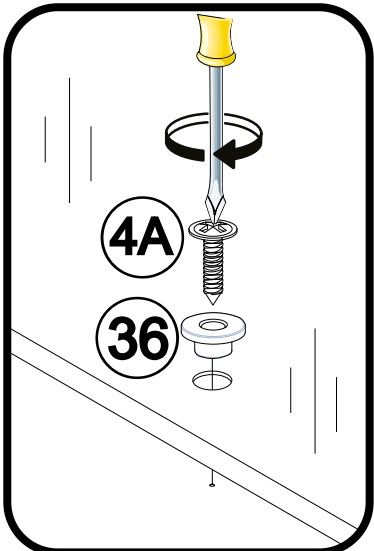
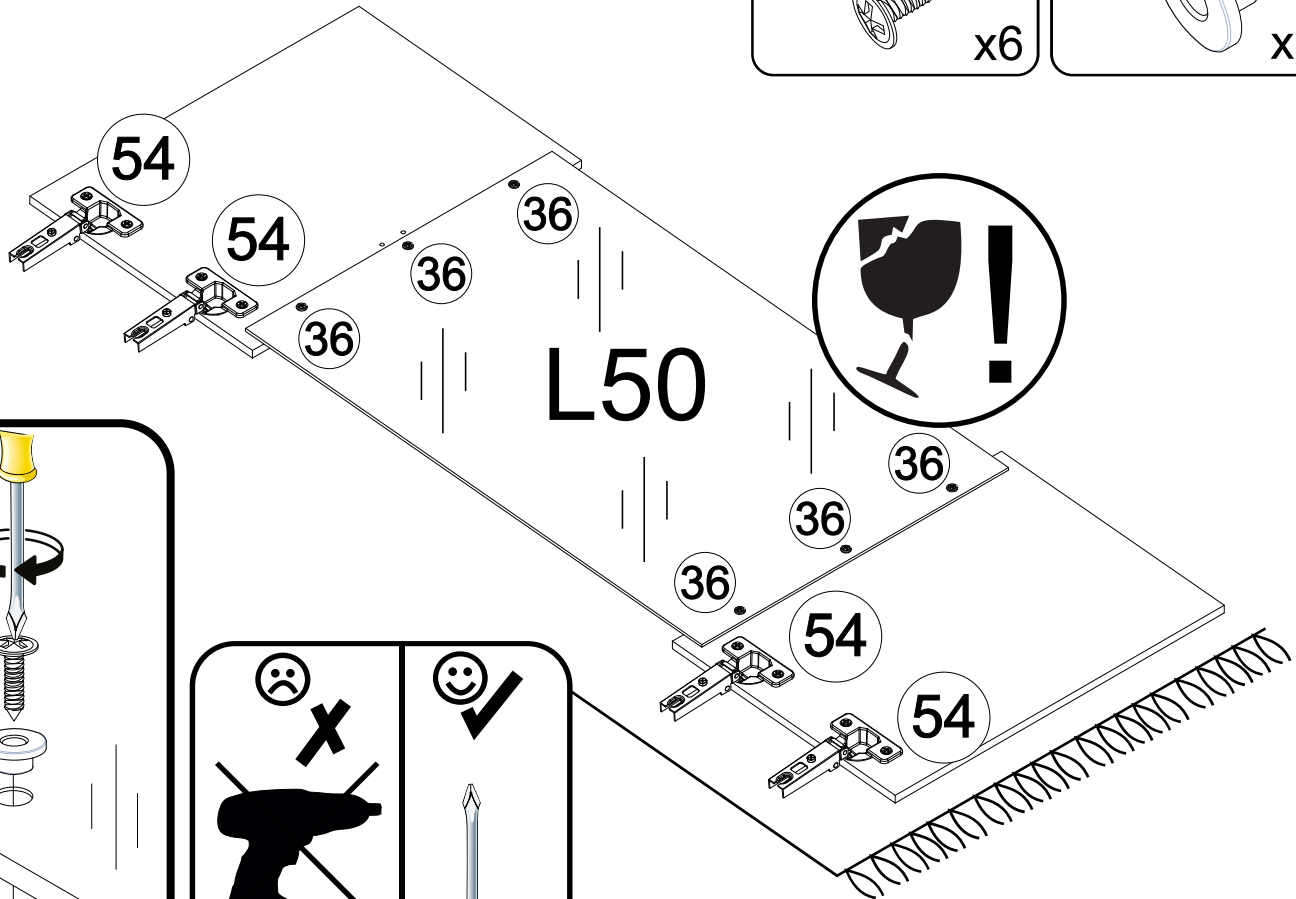
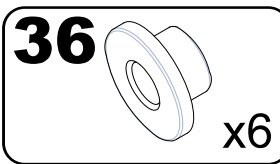
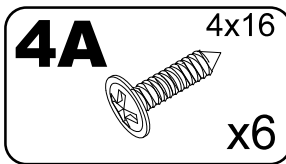
4



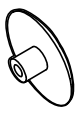
5

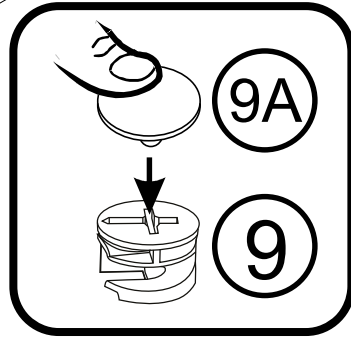
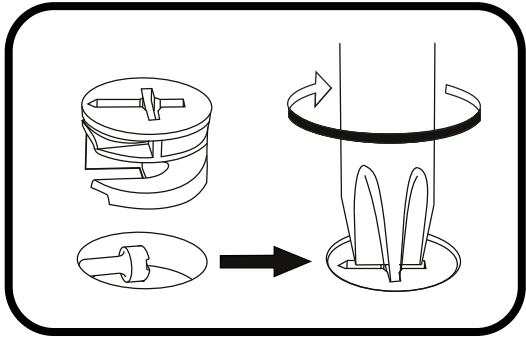
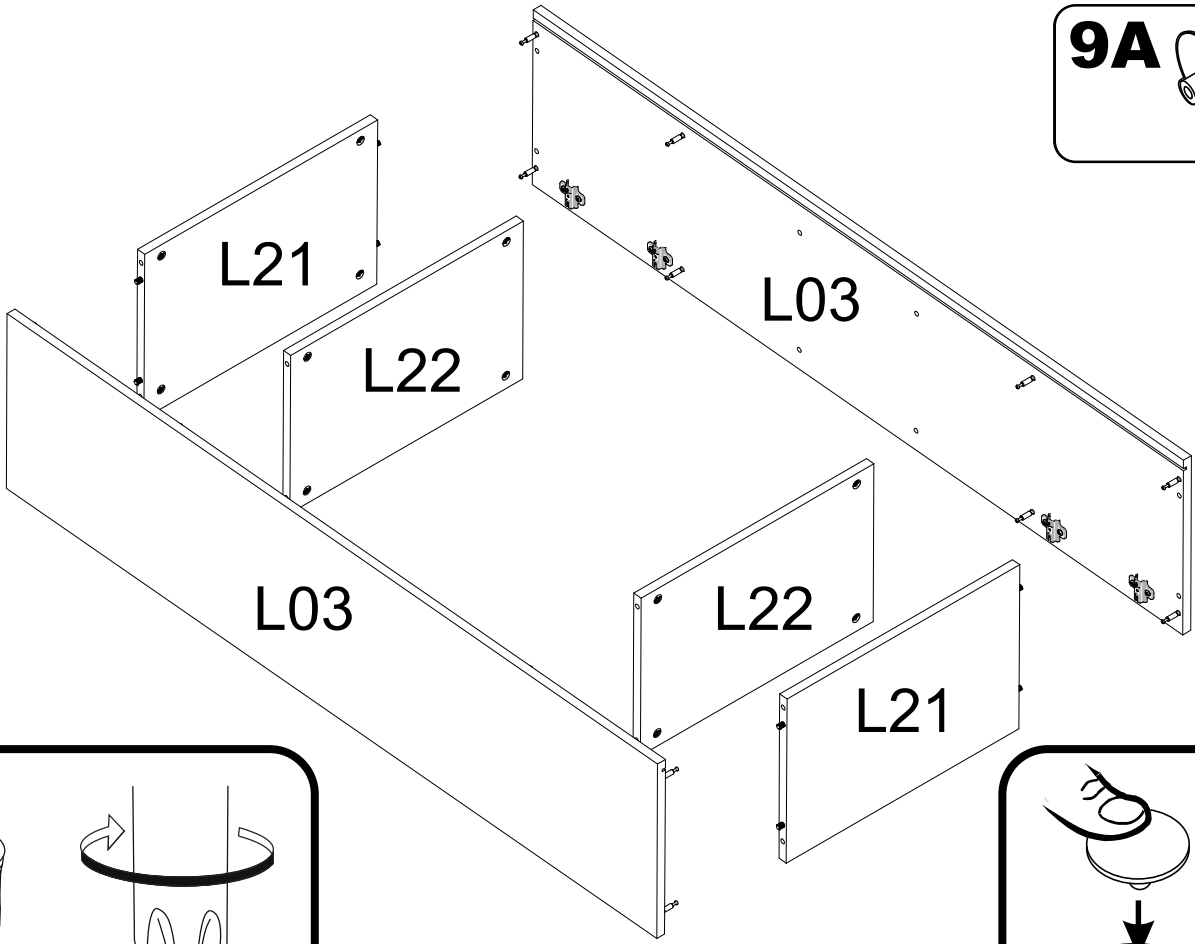


6

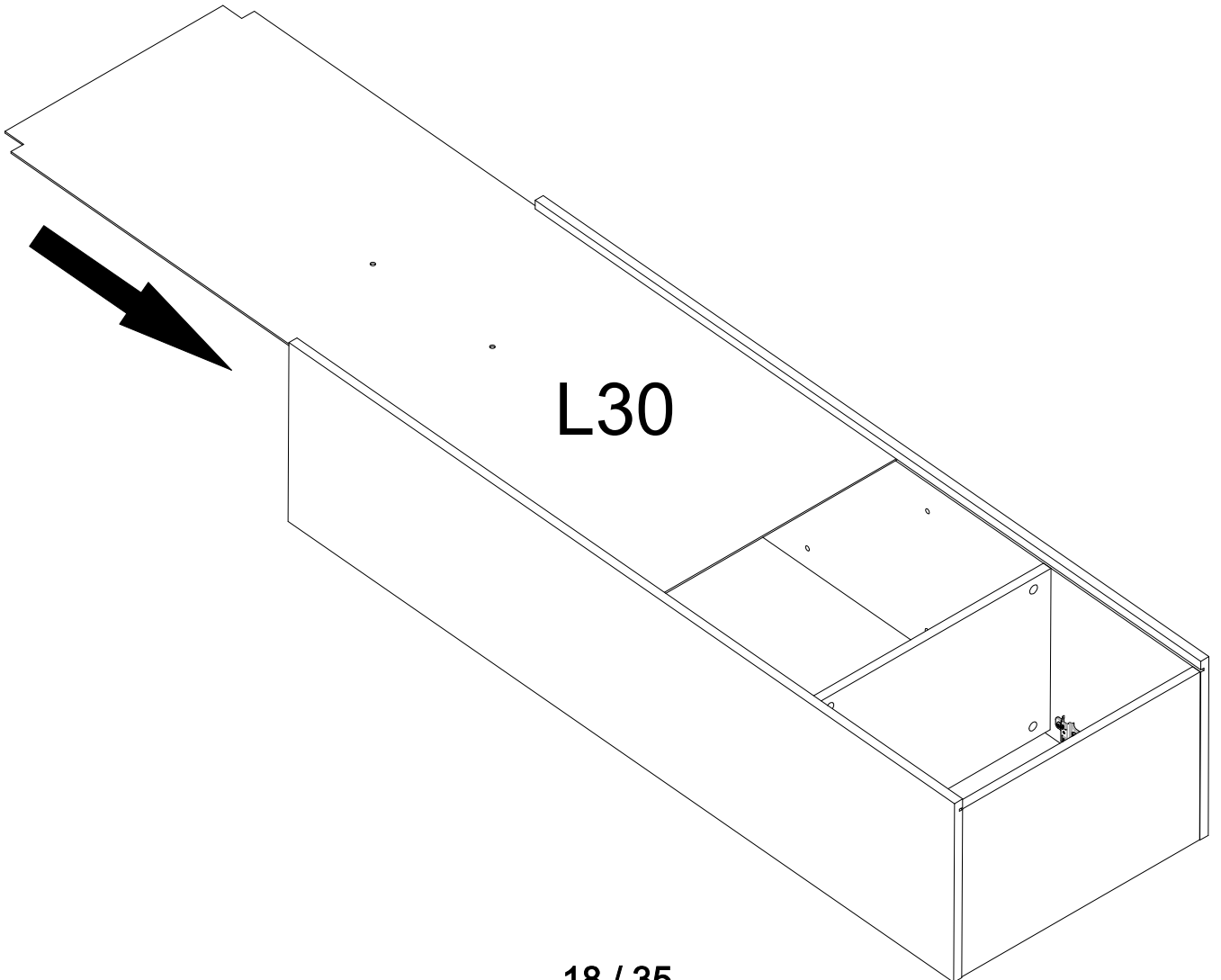


7

9A  x16

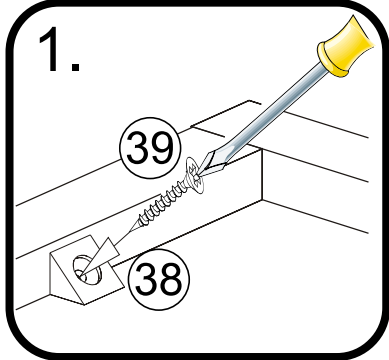
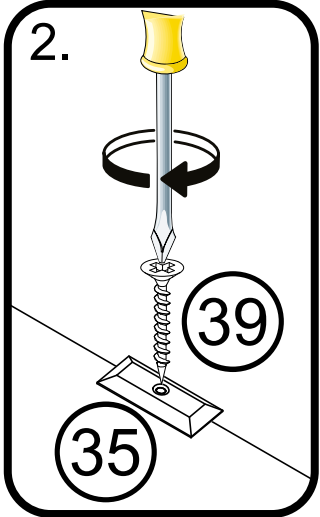
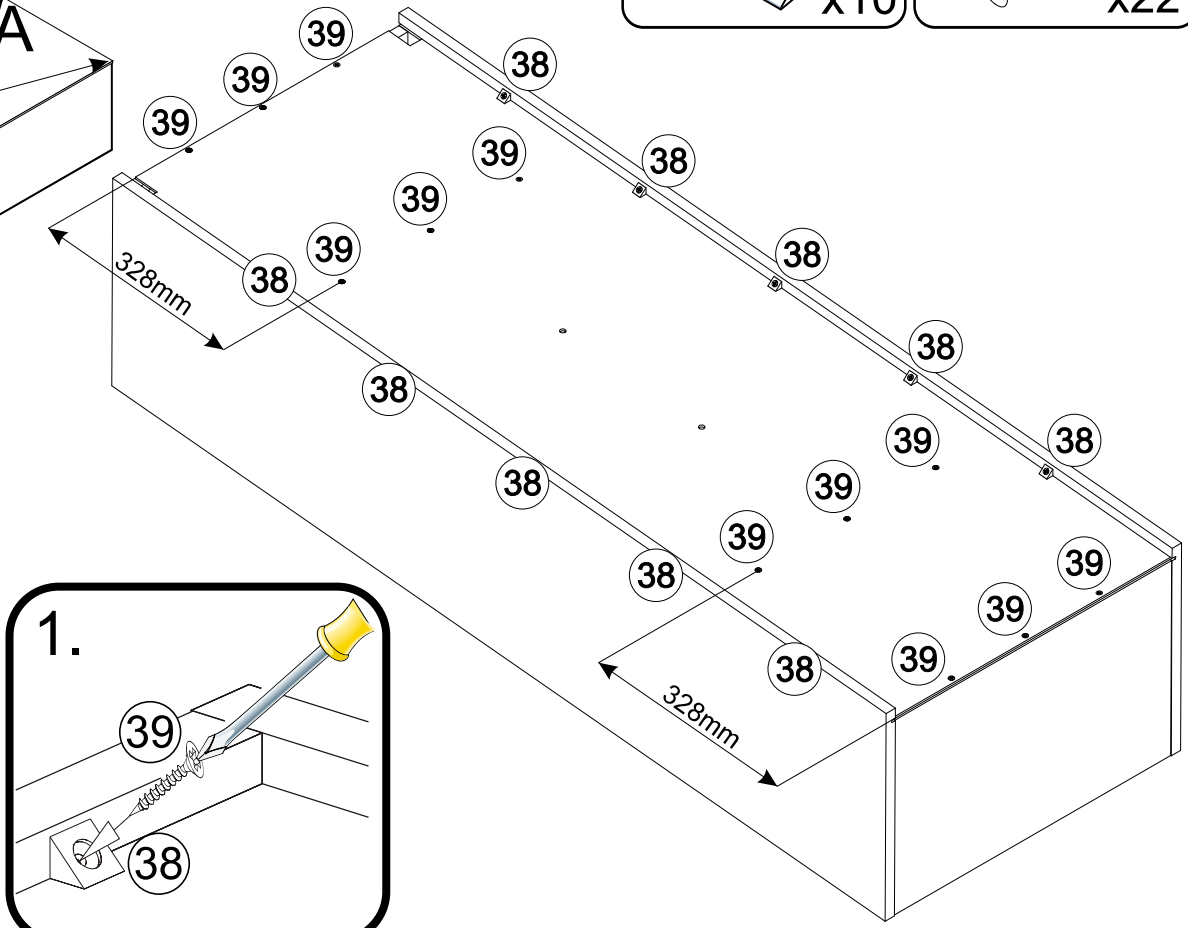
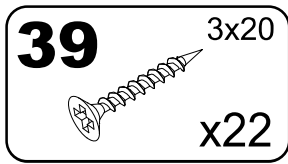
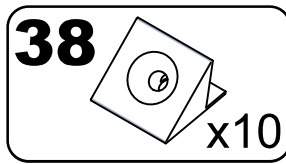
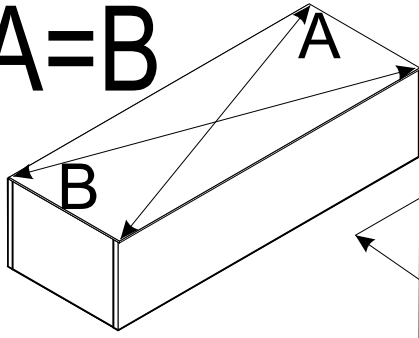


8

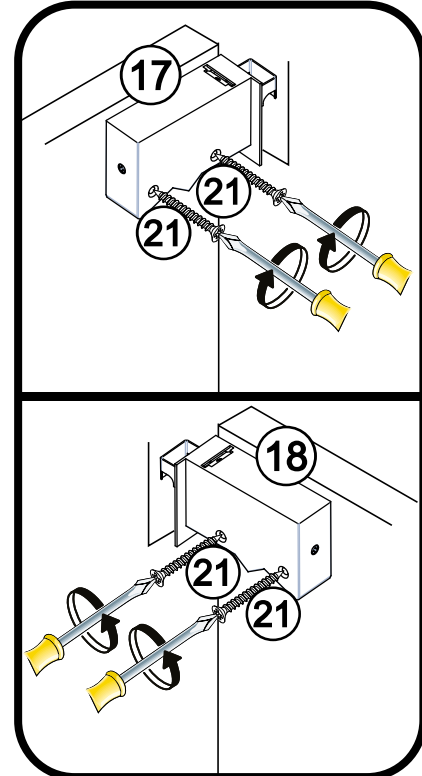
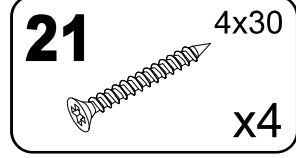
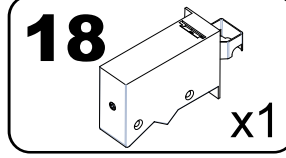
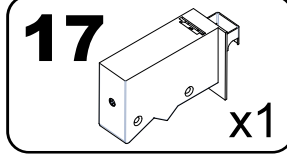
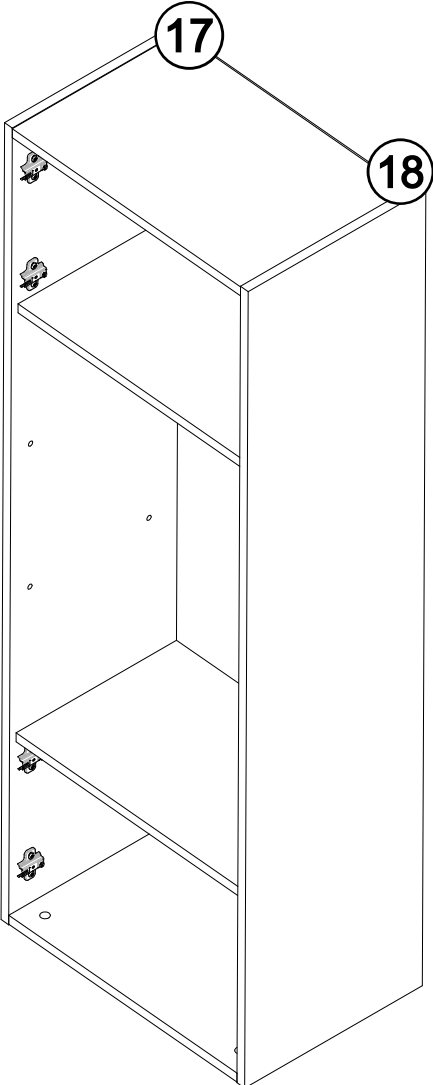


9

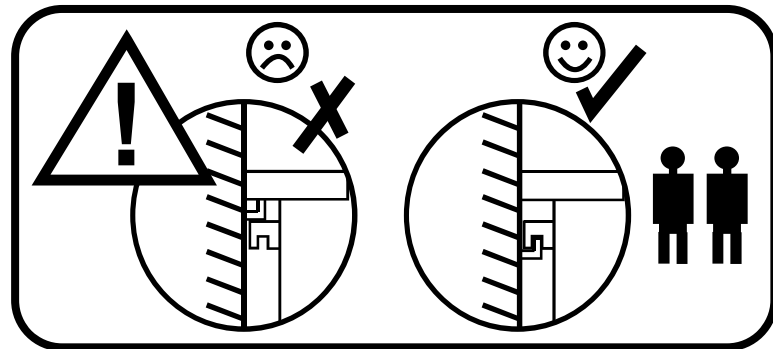
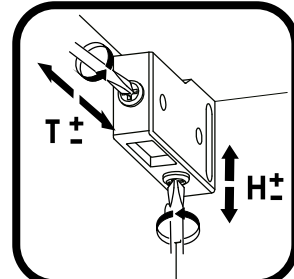
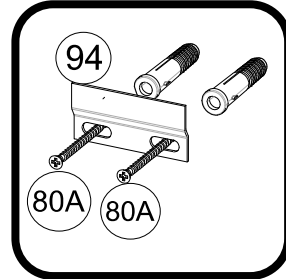
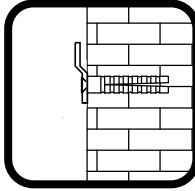
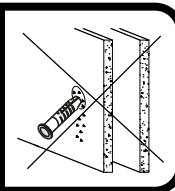
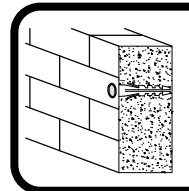
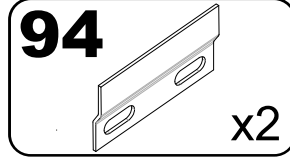
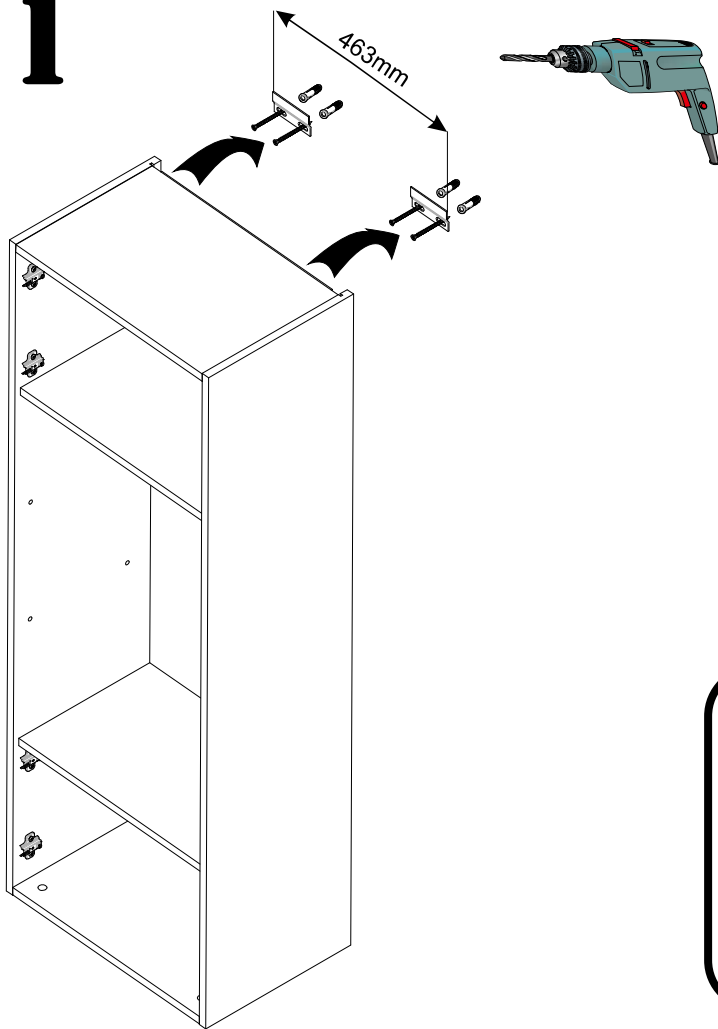
A=B



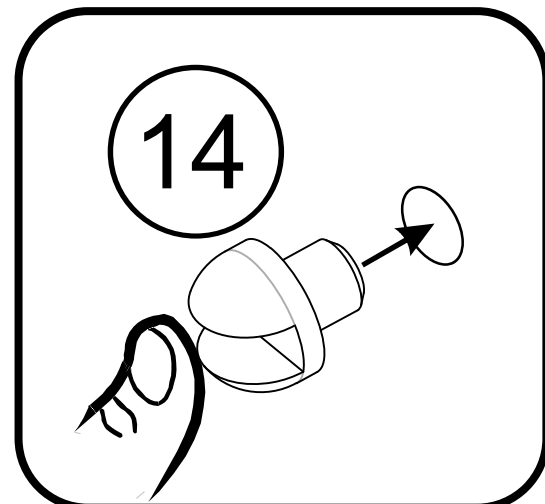
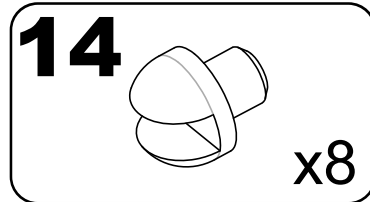
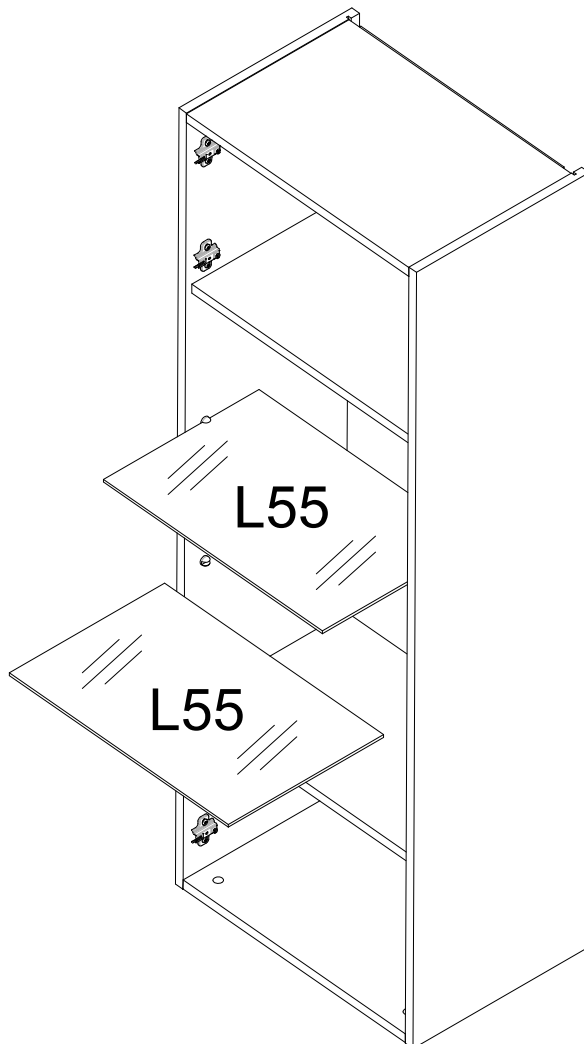
10



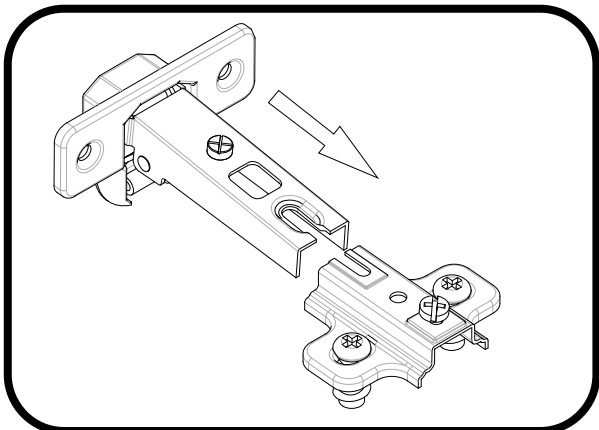
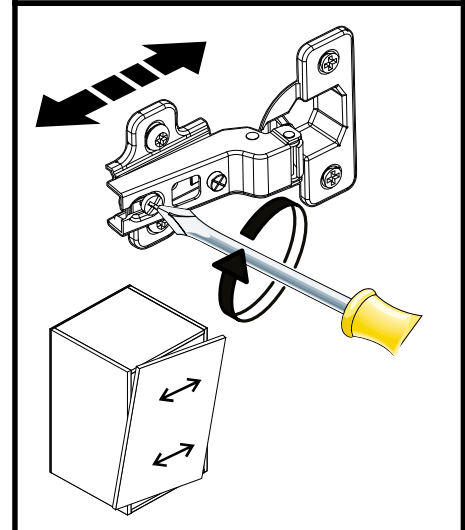
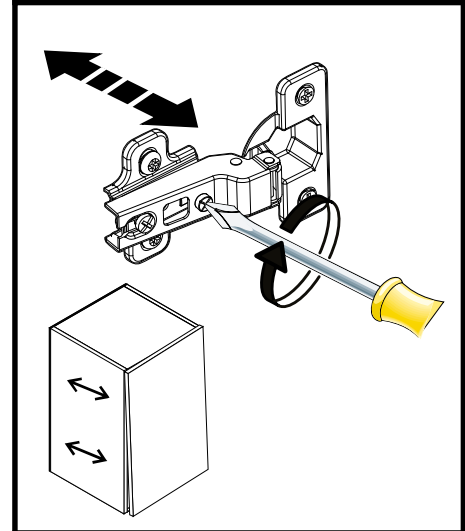
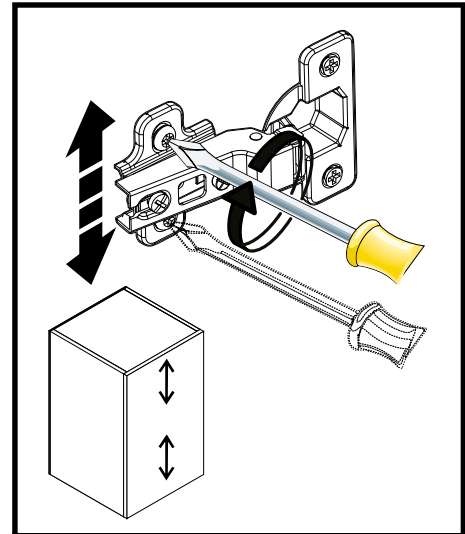
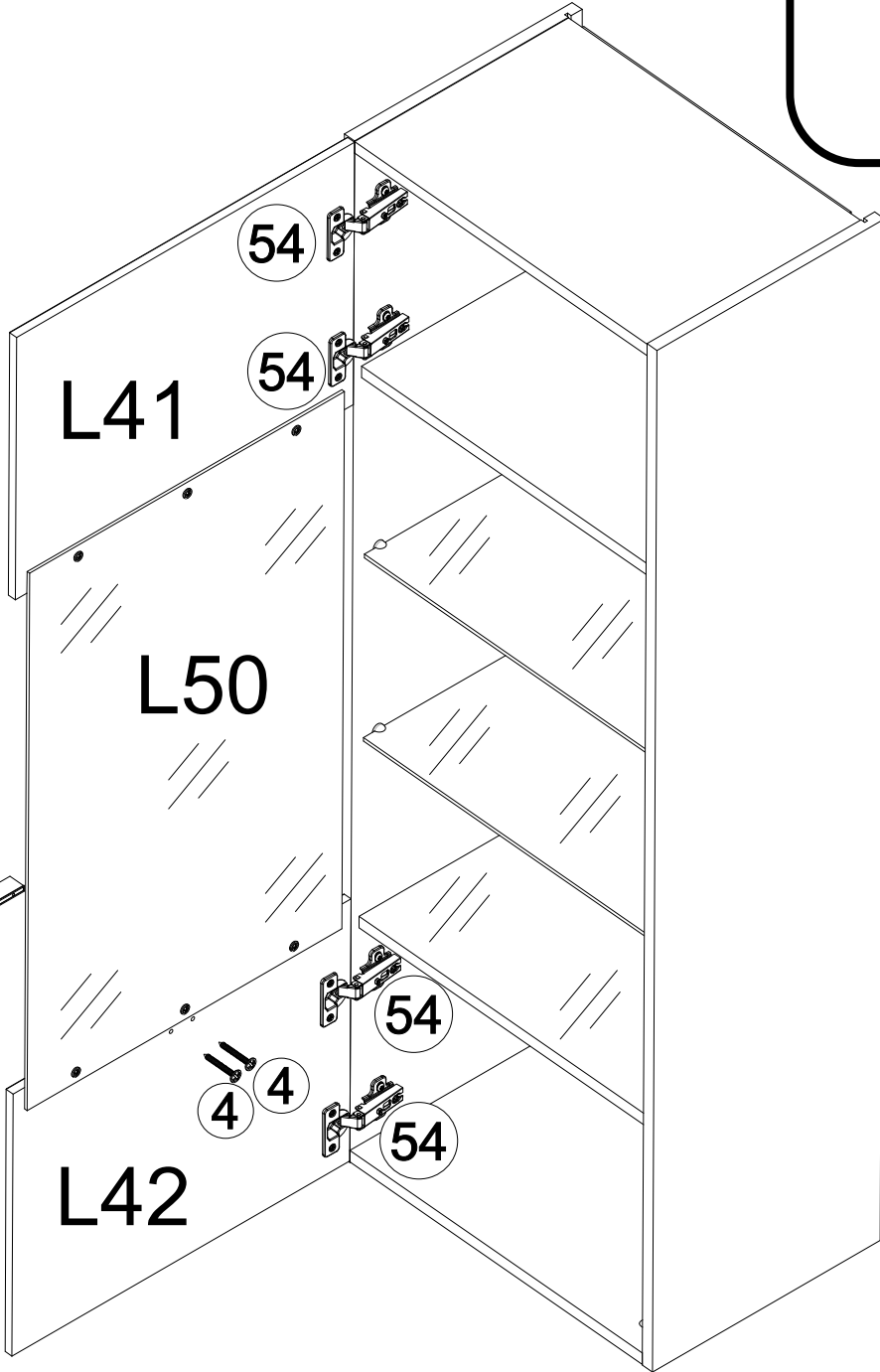
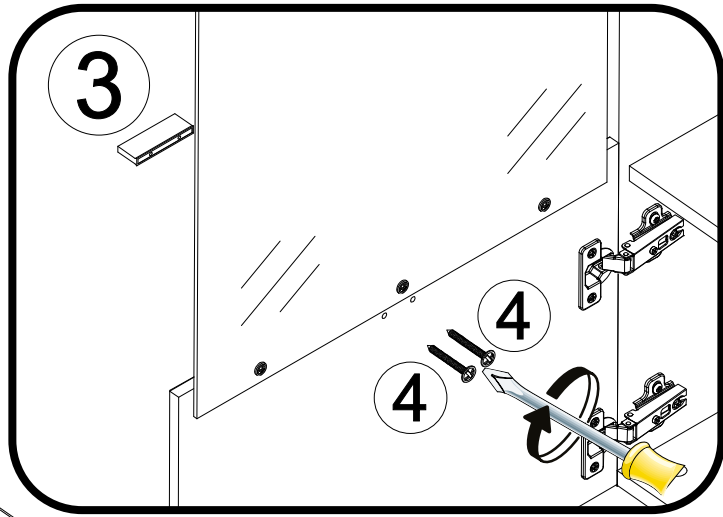
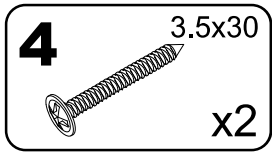
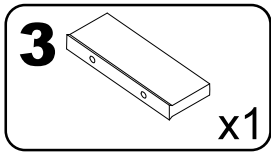
11



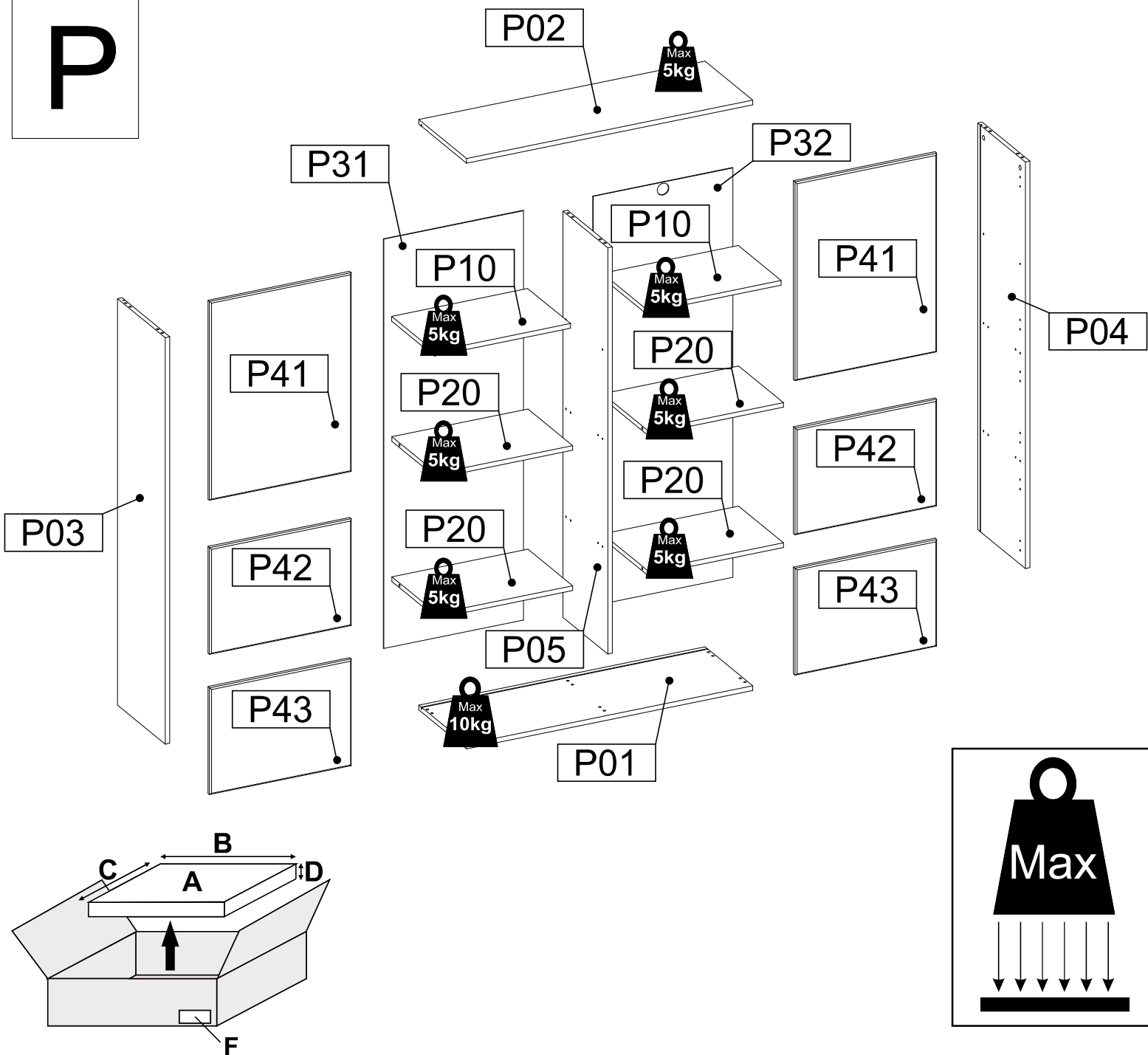
12



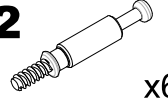
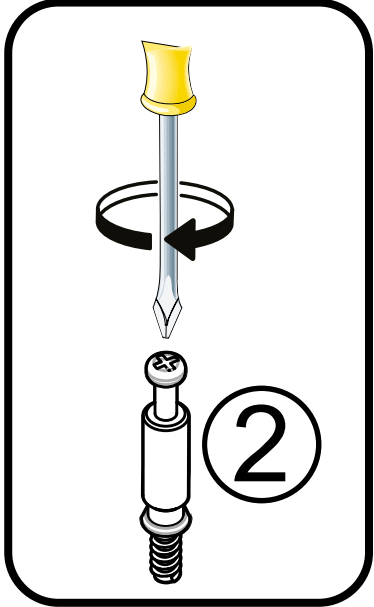
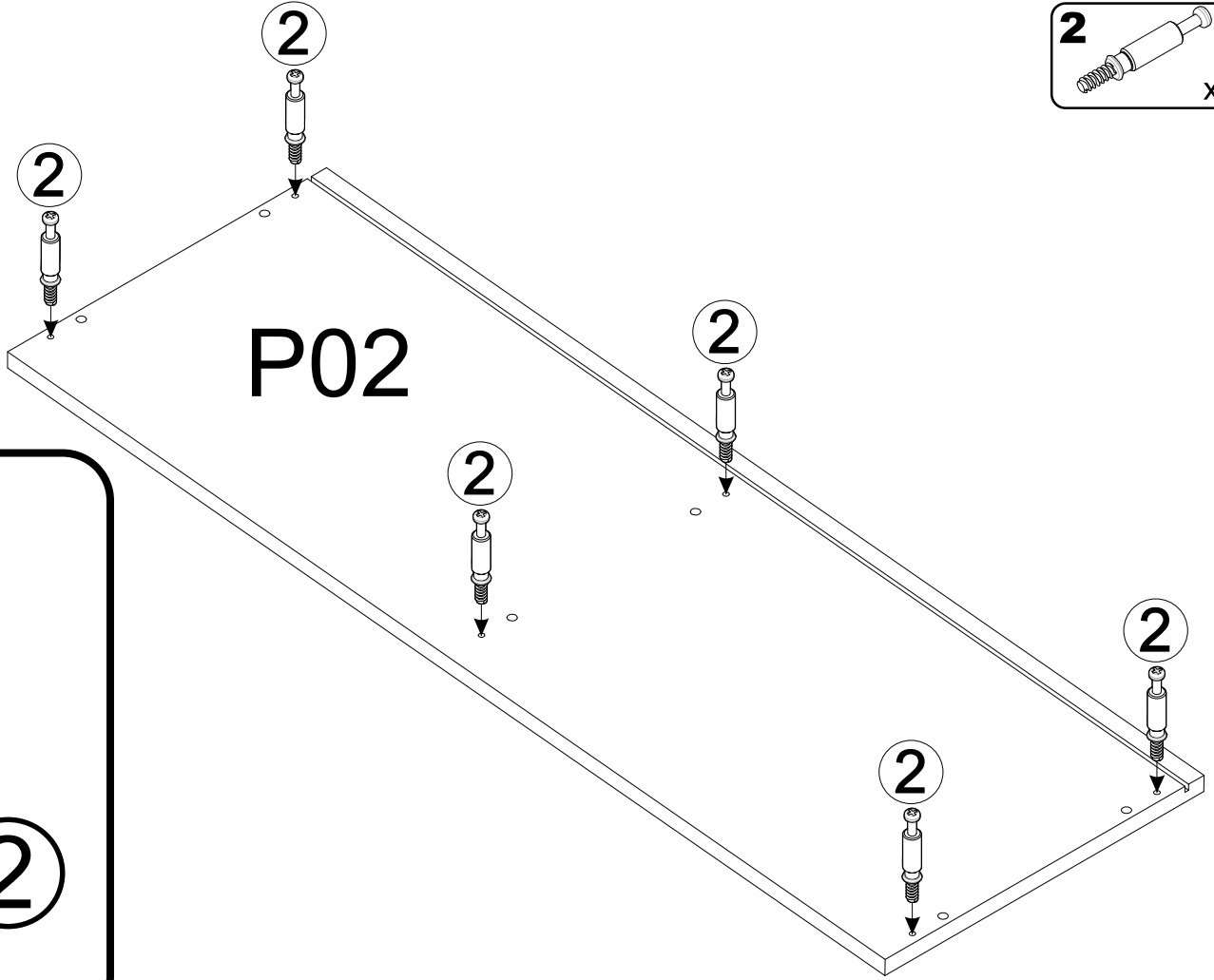
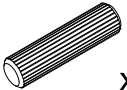

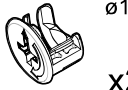
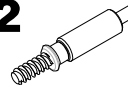
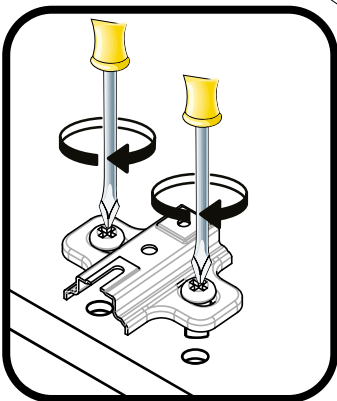
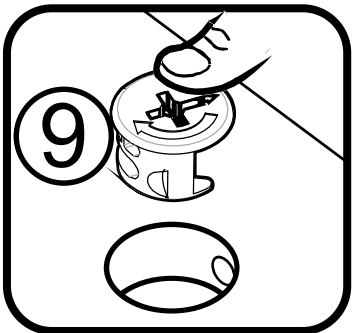
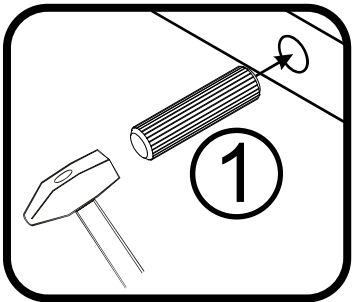
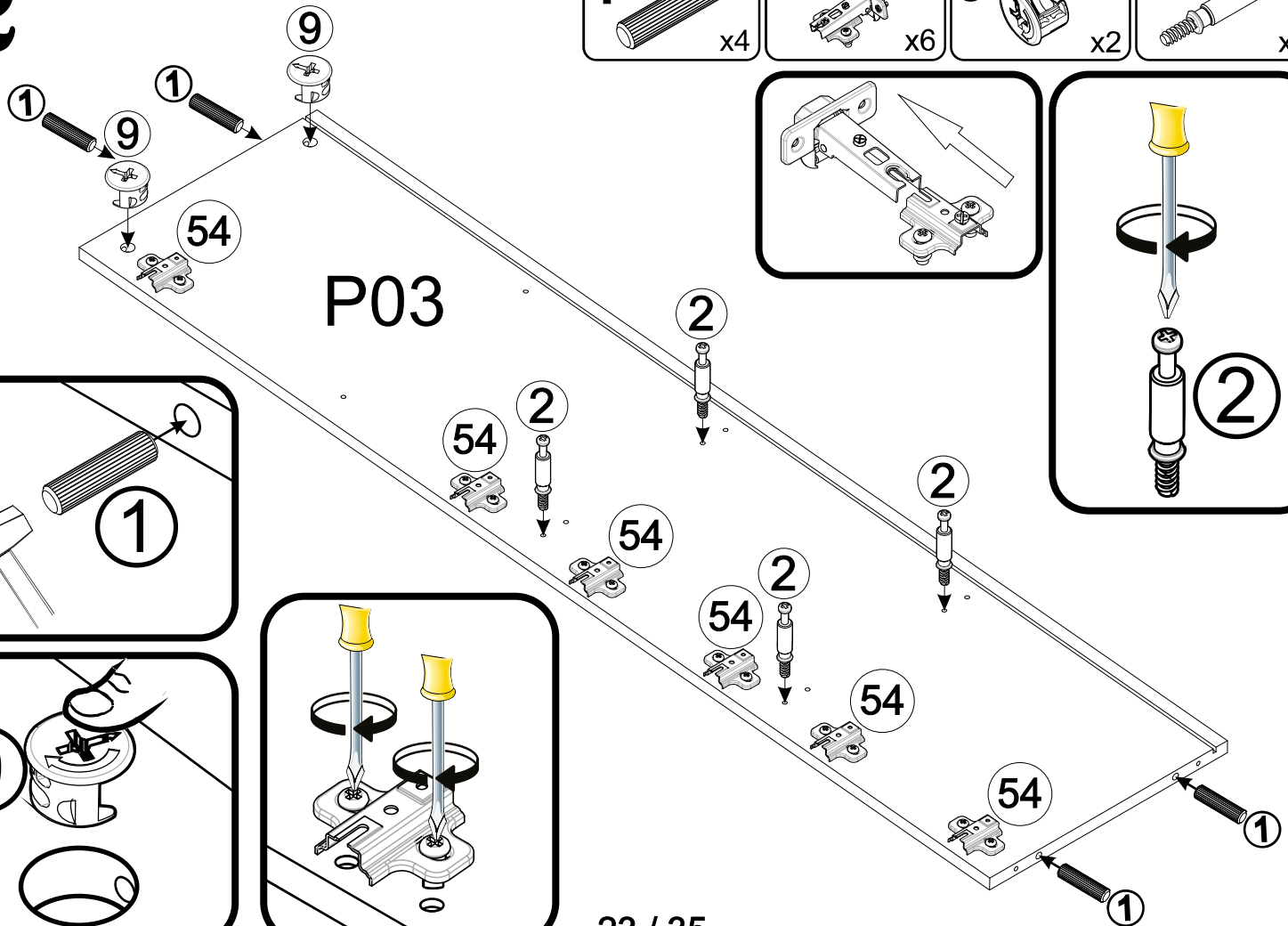
13



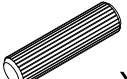

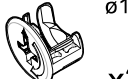
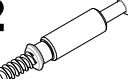
P

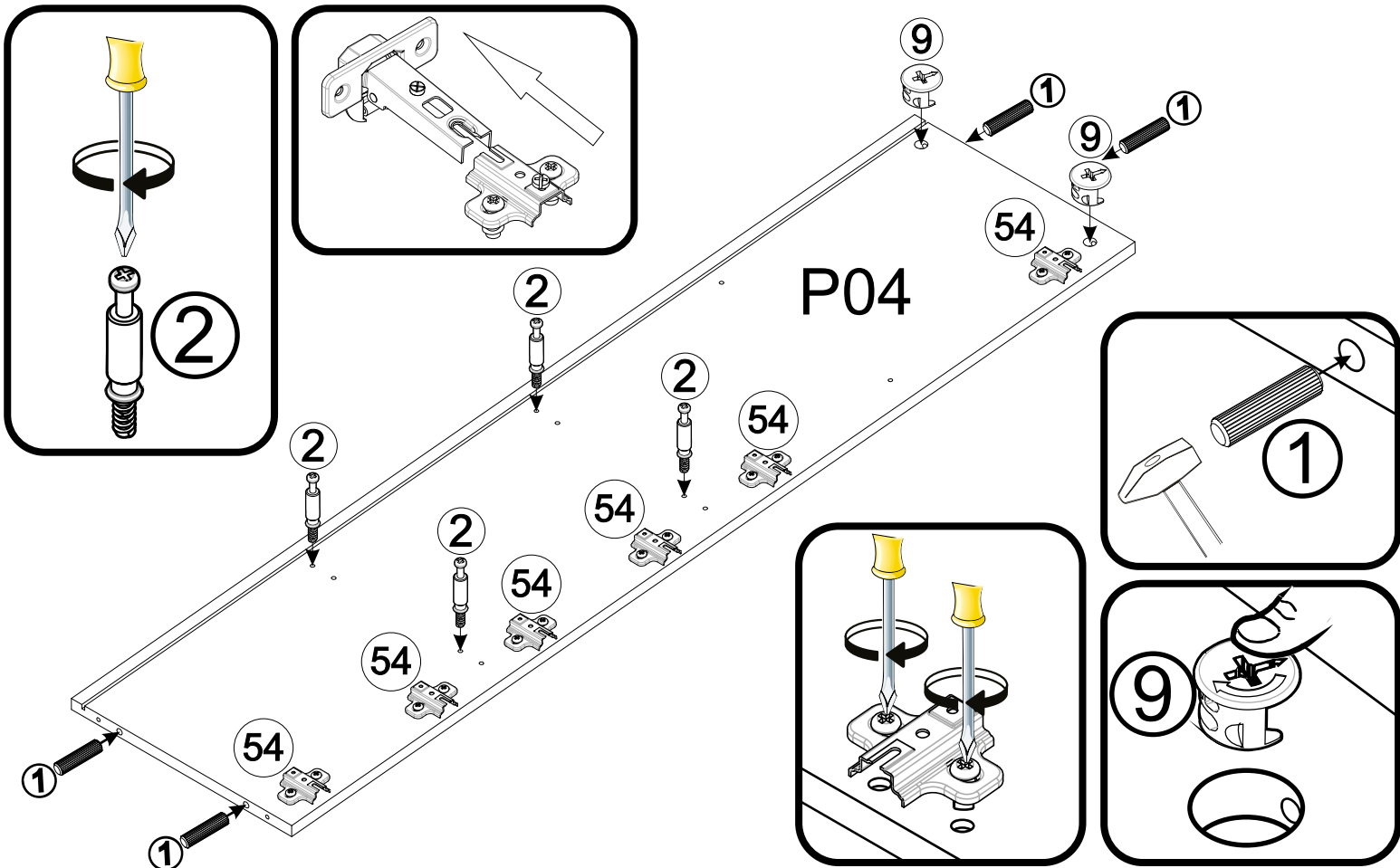
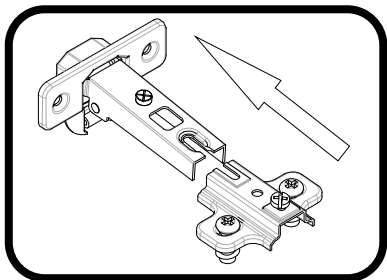
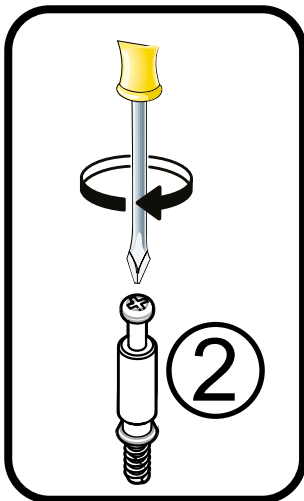


A	B (mm)	C (mm)	D (mm)	E	F
P01	1002	334	16	1	14
P02	1002	334	16	1	14
P03	1394	334	16	1	14
P04	1394	334	16	1	14
P05	1394	314	16	1	24
P10	476	300	16	2	14
P20	476	314	16	4	14
P31	1404	489	3	1	24
P32	1404	489	3	1	24
P41	682	496	16	2	24
P42	496	366	16	2	24
P43	366	496	16	2	24

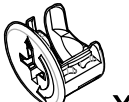
1**2**  x6**2**
1  x4
54  $\phi 35$ x6
9  $\phi 15$ x2
2  x4


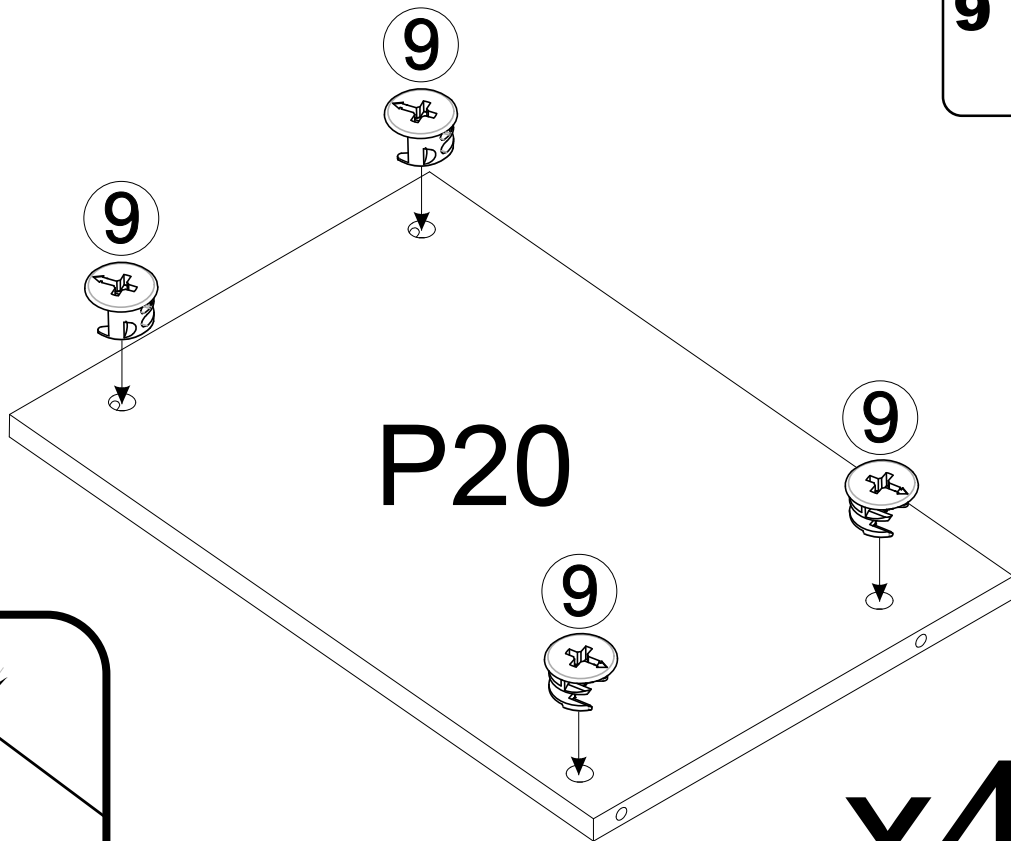
3

- 1**  x4
- 54**  $\varnothing 35$ x6
- 9**  $\varnothing 15$ x2
- 2**  x4

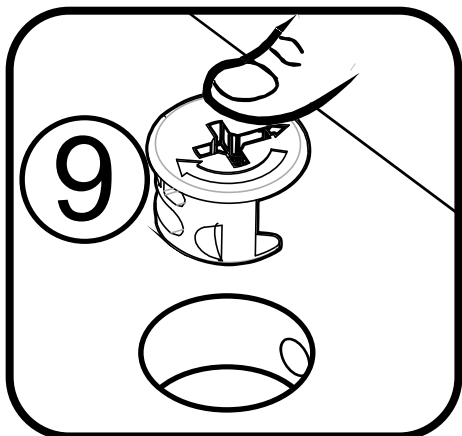


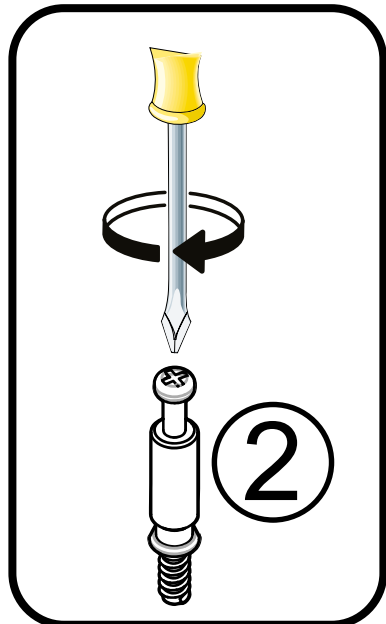
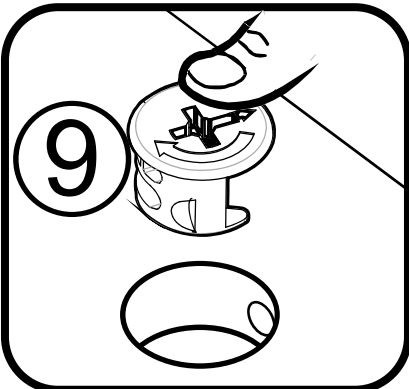
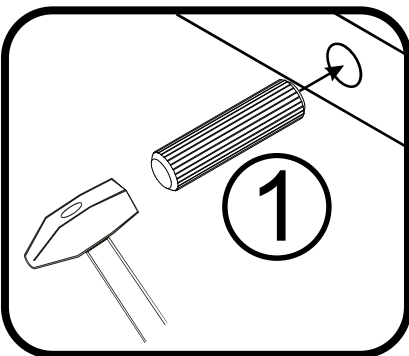
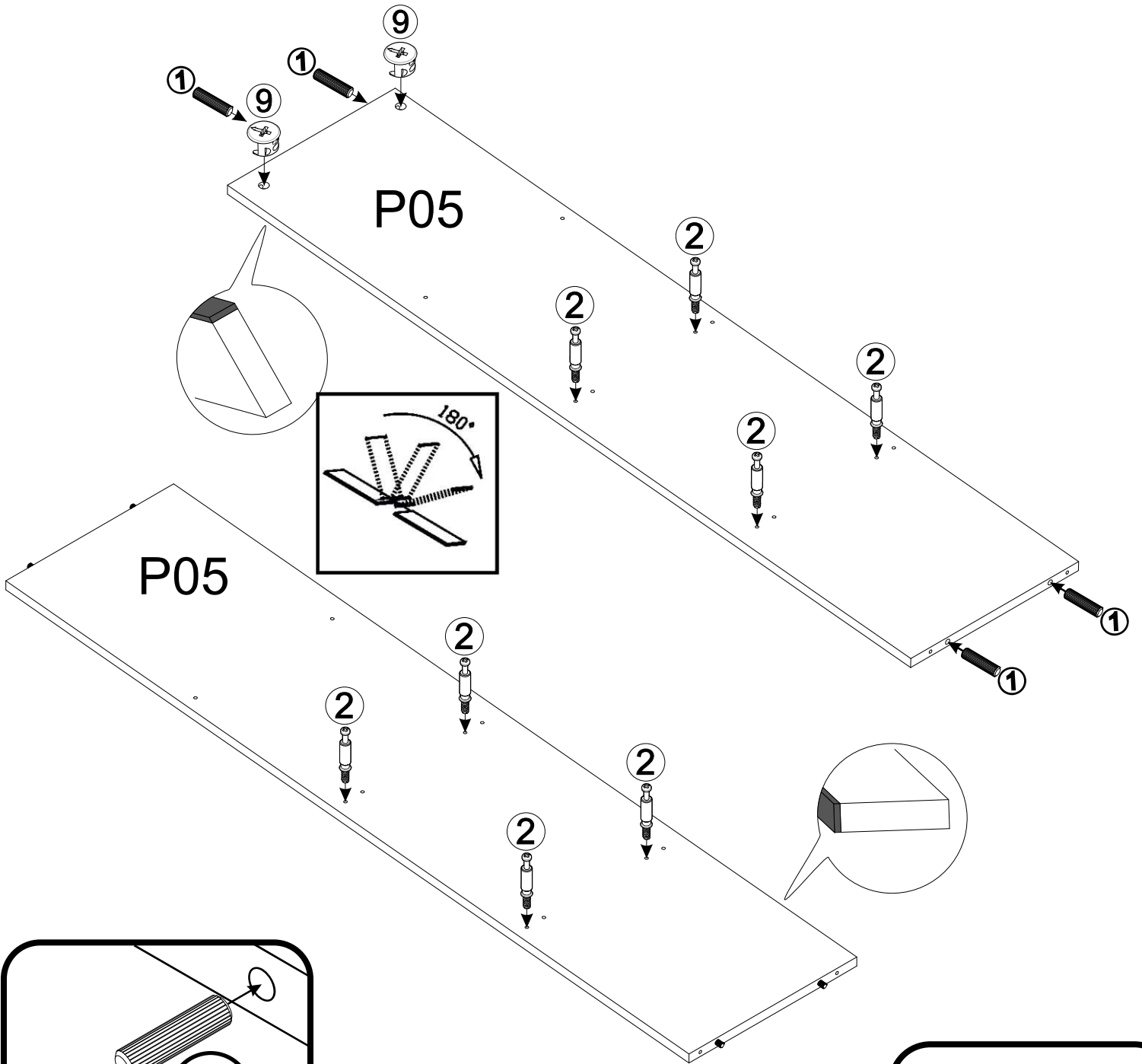
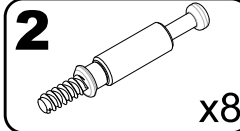
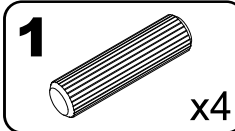
4

- 9**  $\varnothing 15$ x16

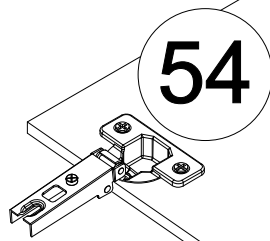
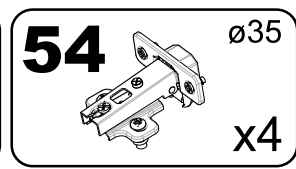
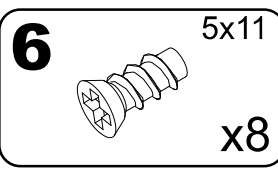
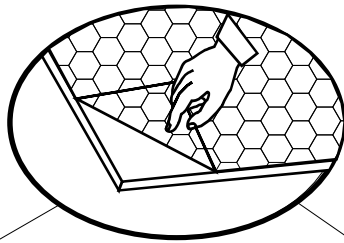


x4



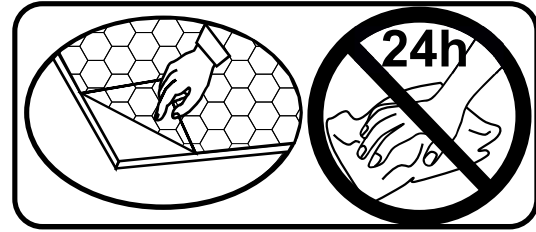
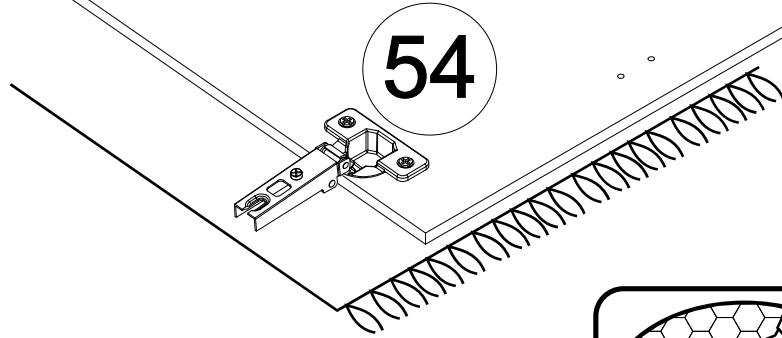
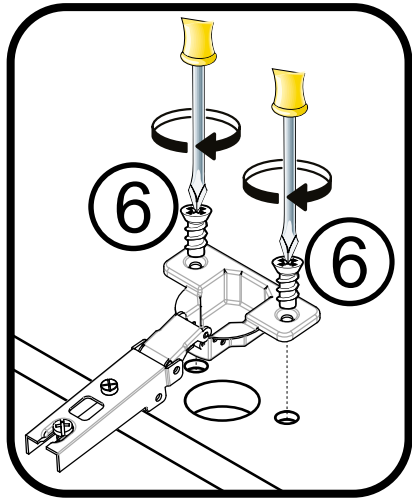


6



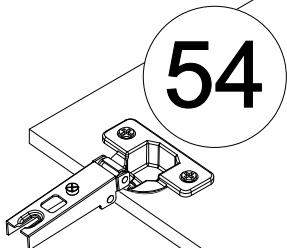
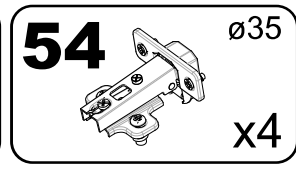
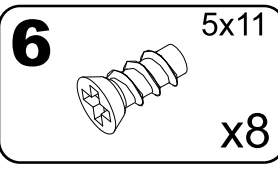
P41

x2

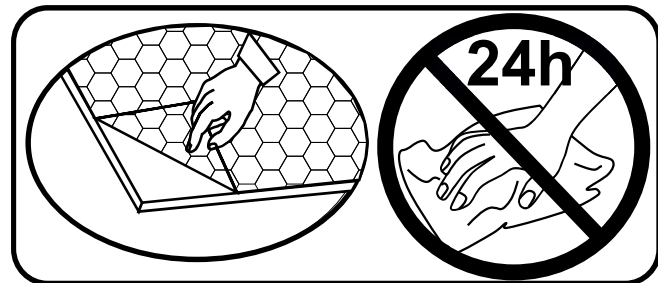
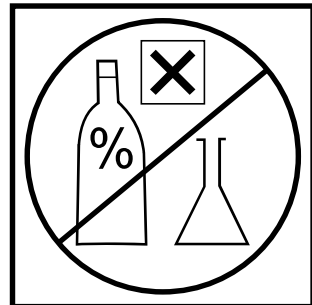
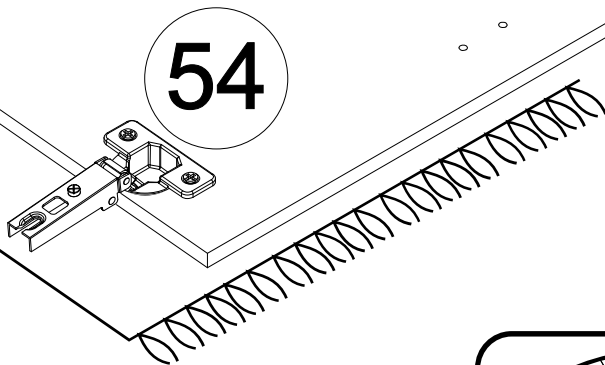
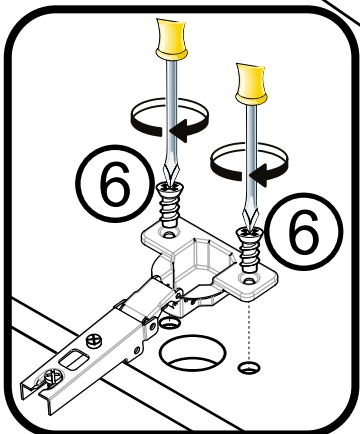
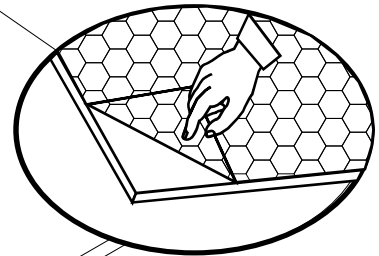


7

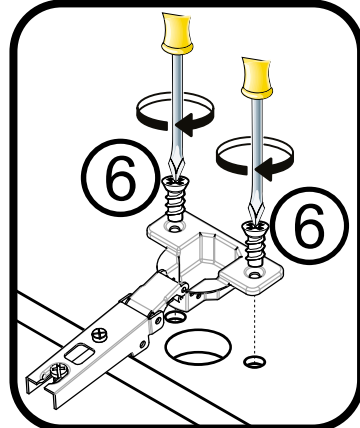
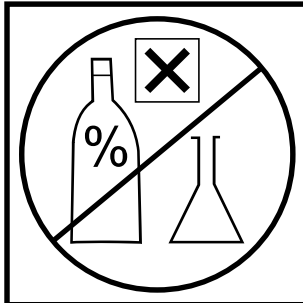
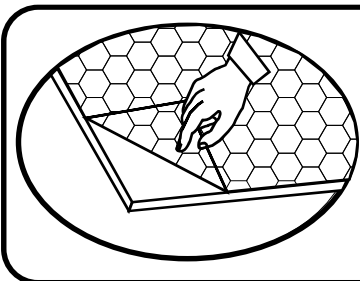
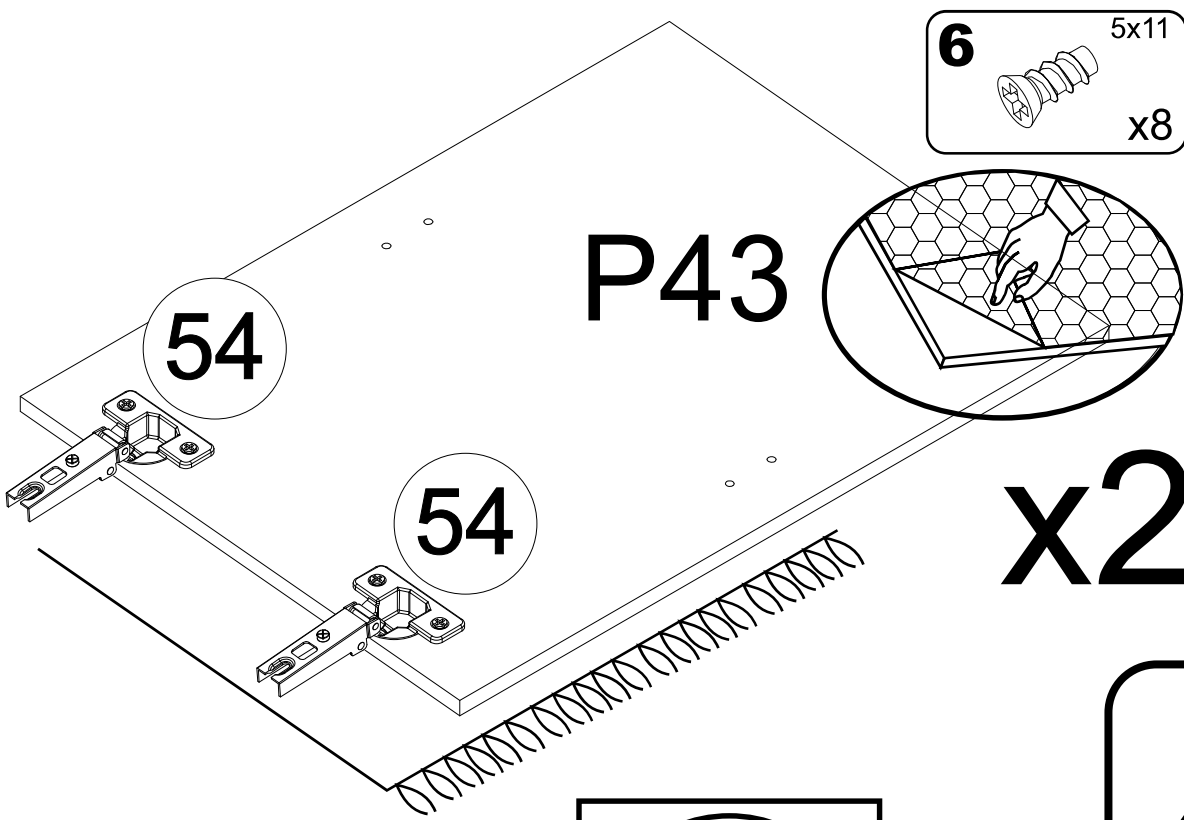
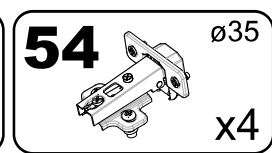
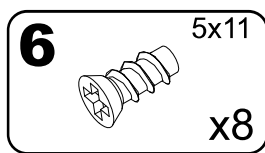
x2



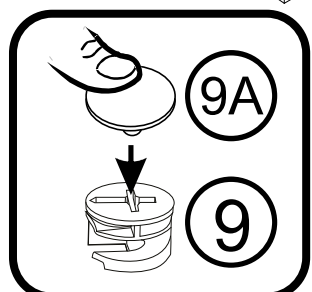
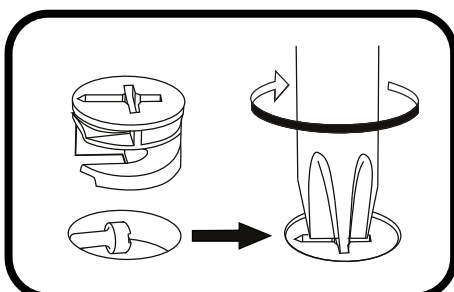
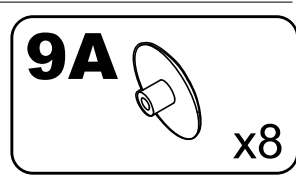
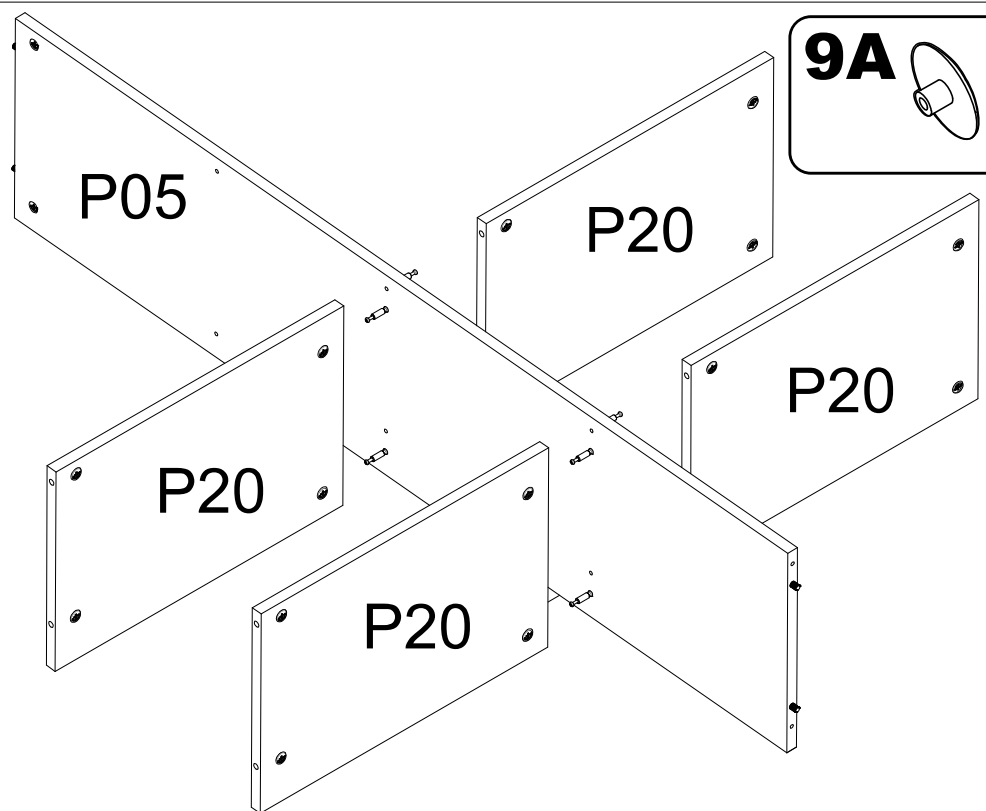
P42



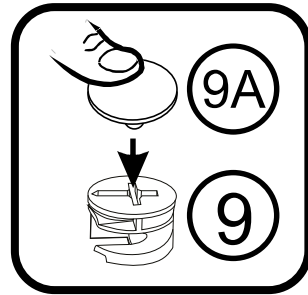
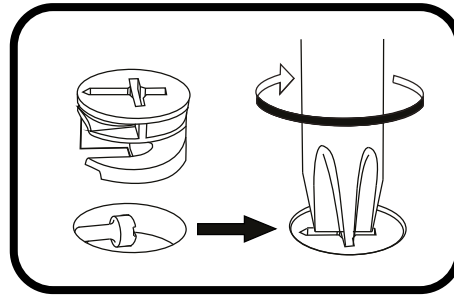
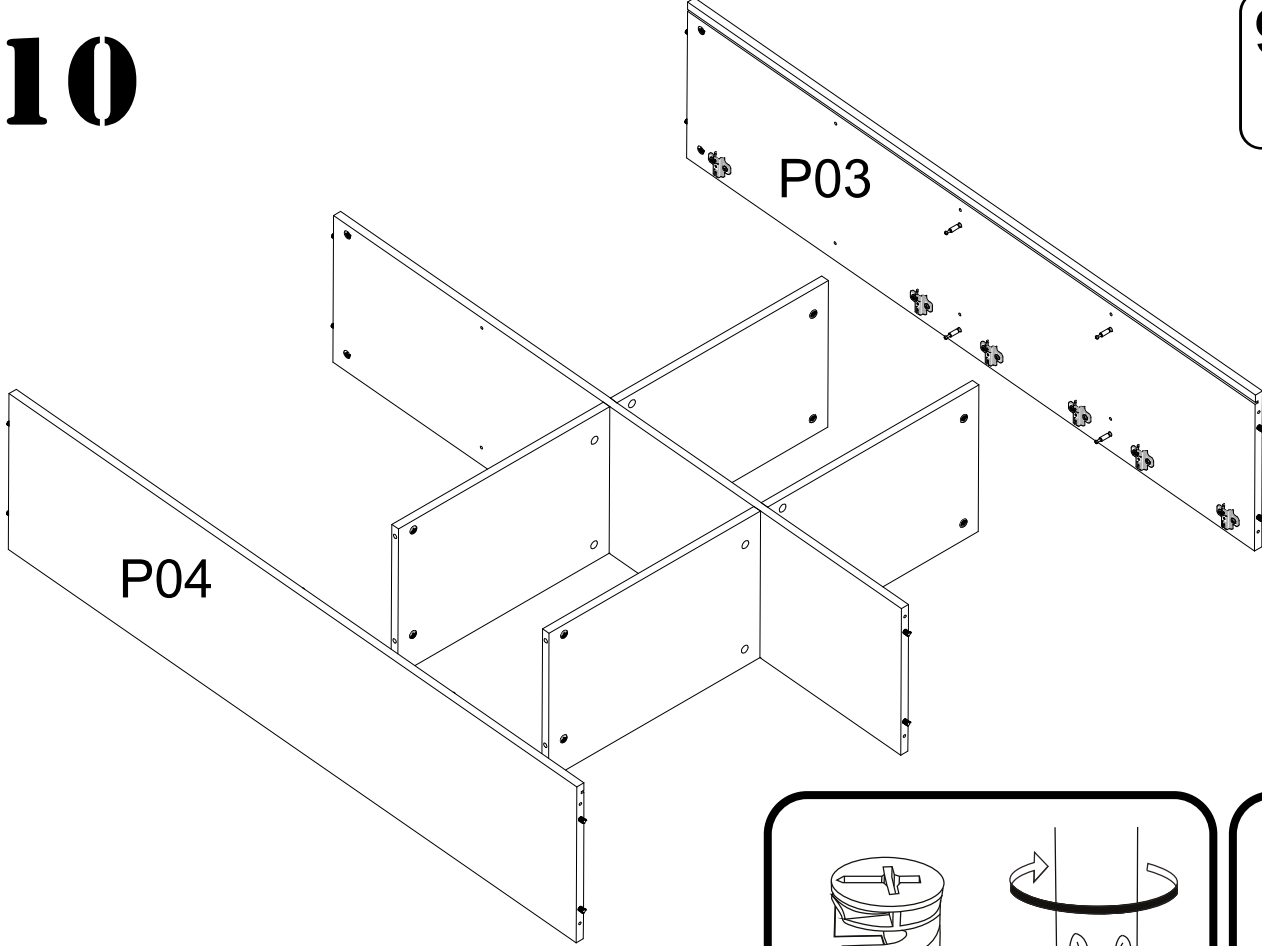
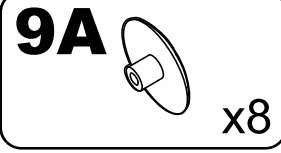
8



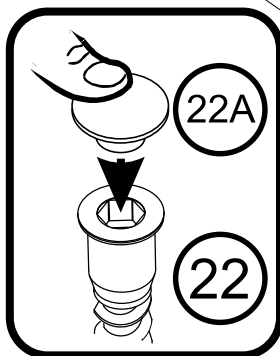
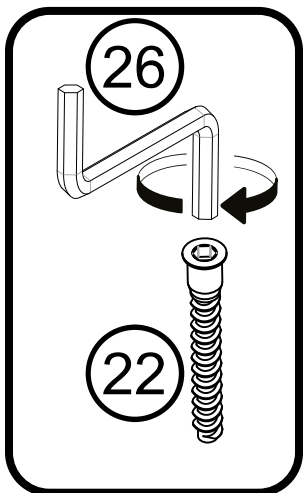
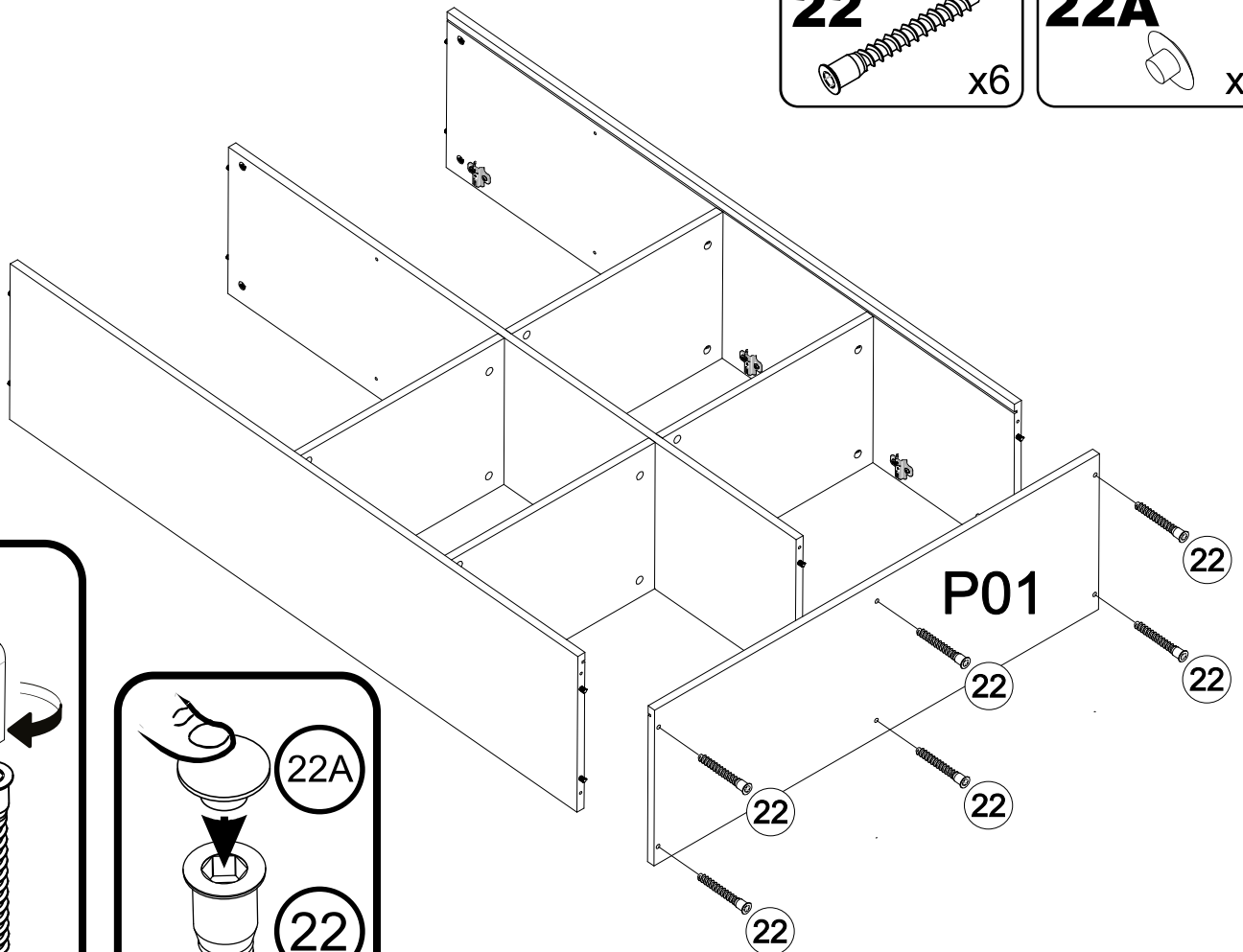
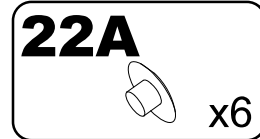
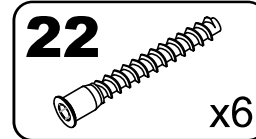
9



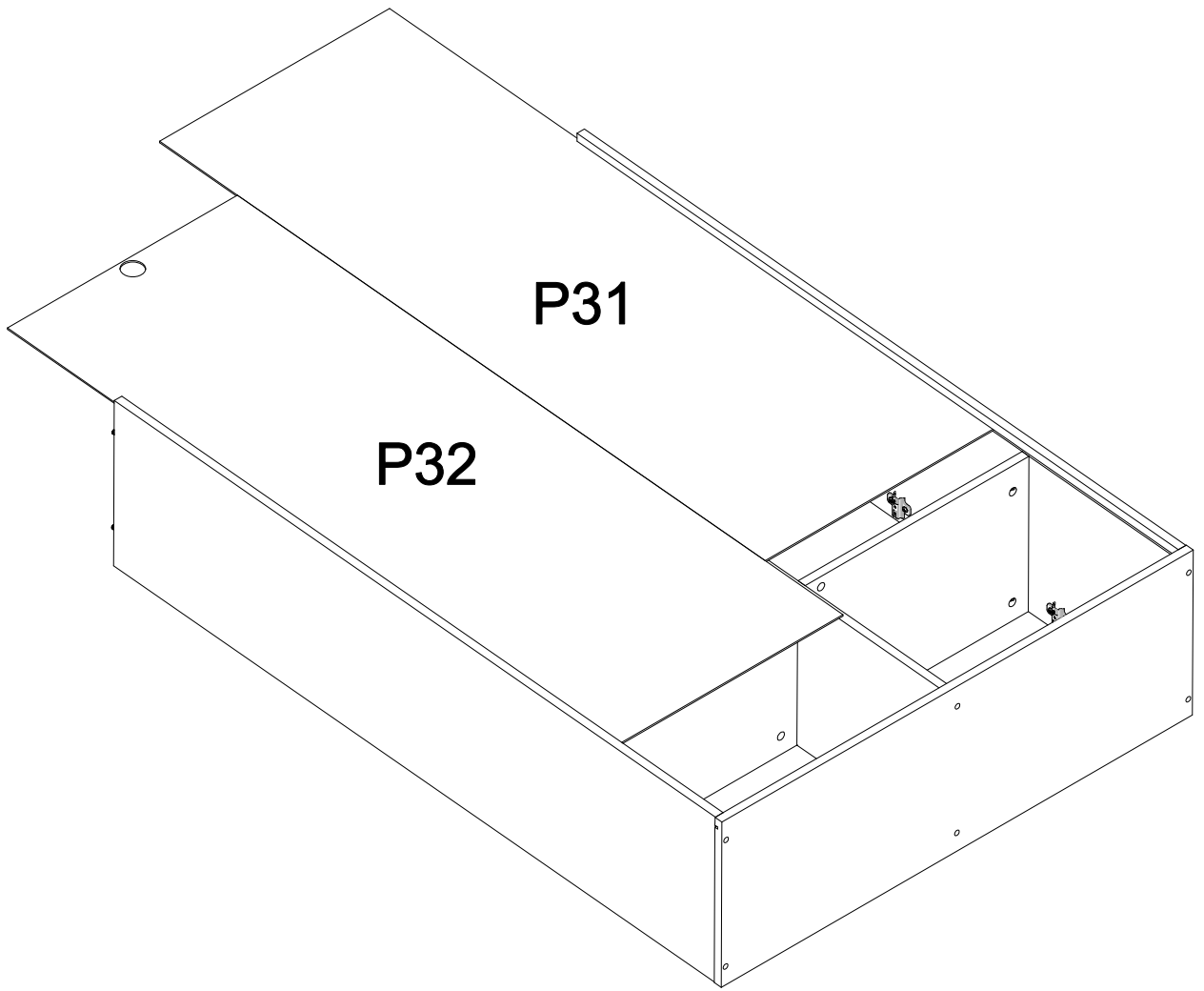
10



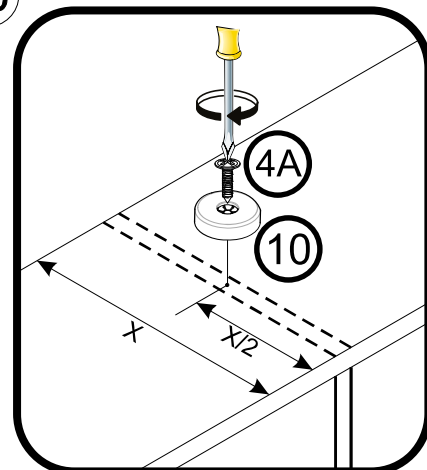
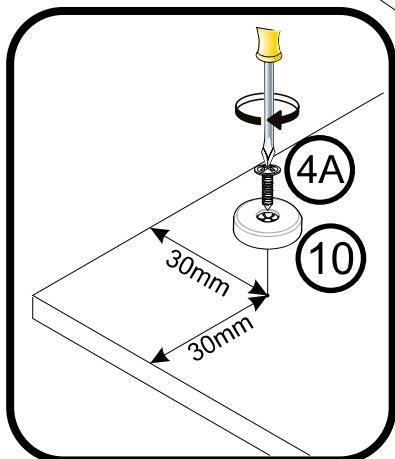
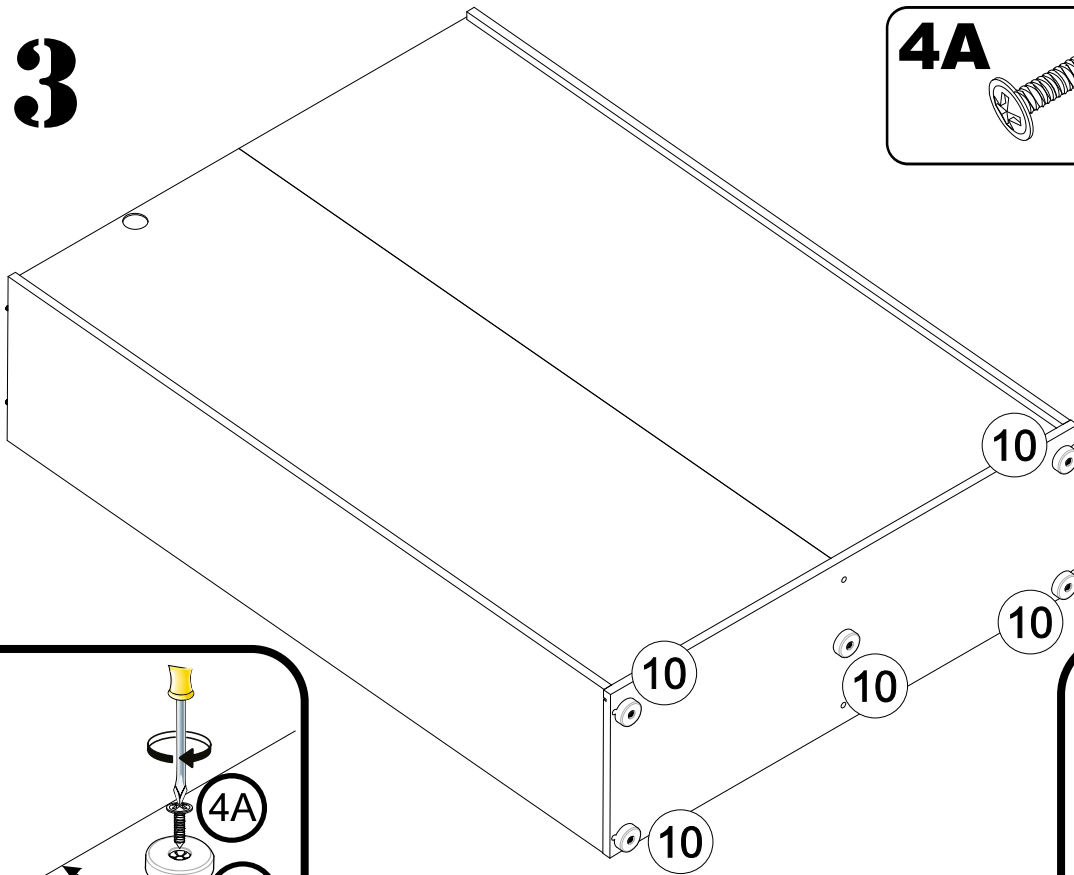
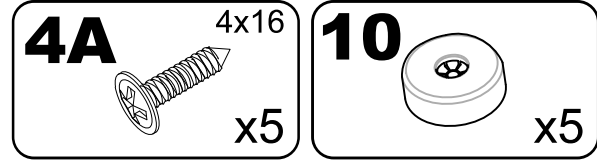
11




12

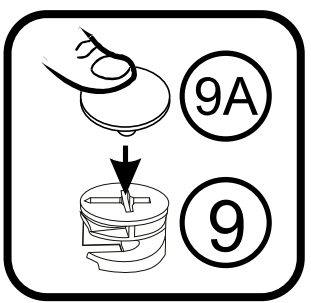
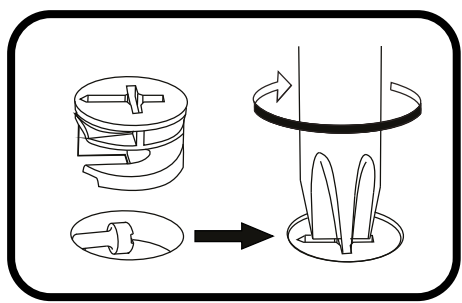
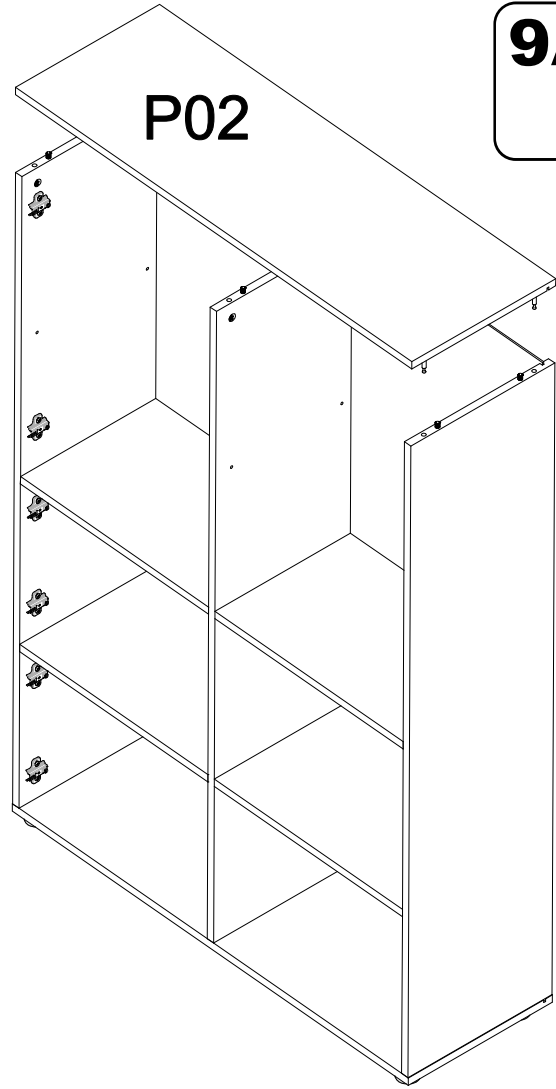


13

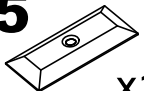



14


9A  x6

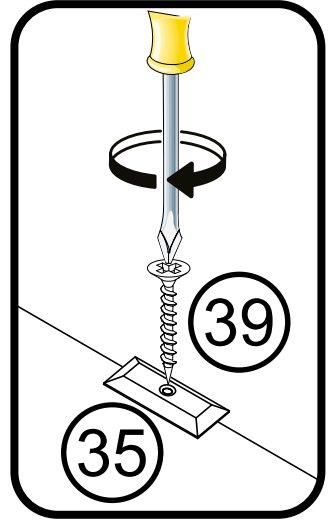
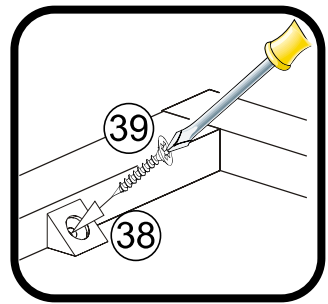
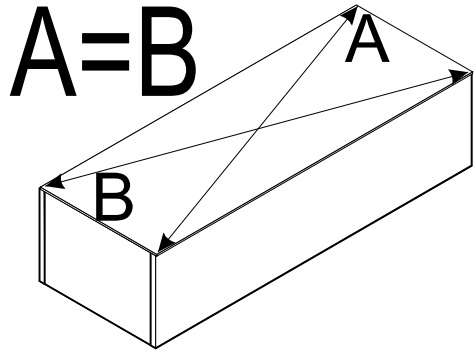
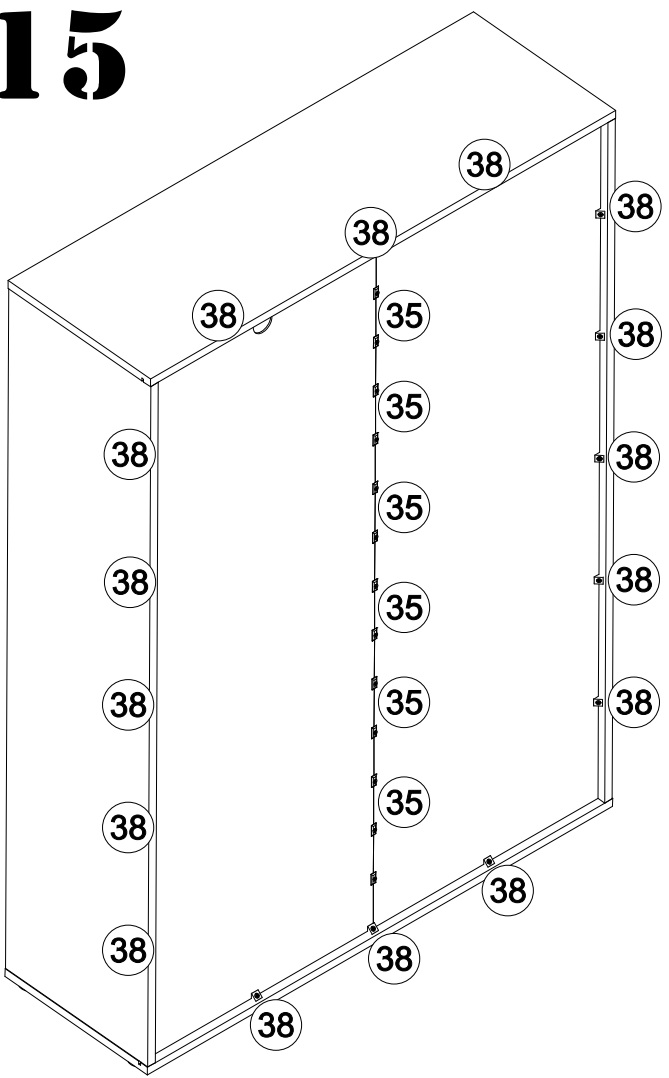


15

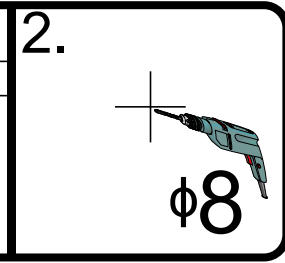
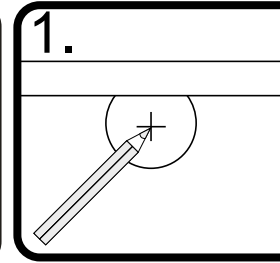
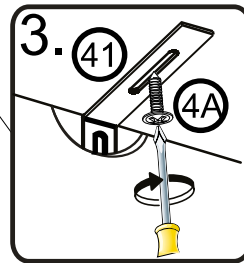
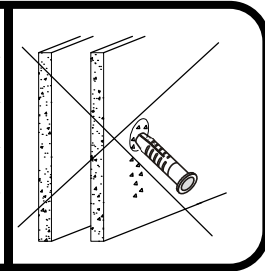
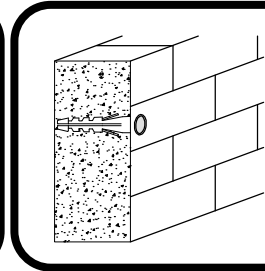
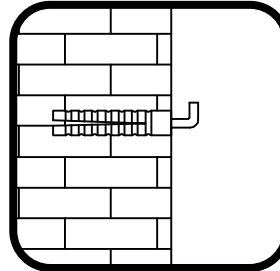
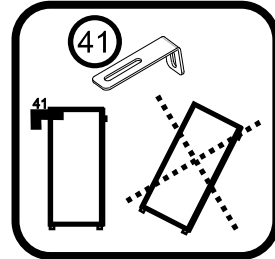
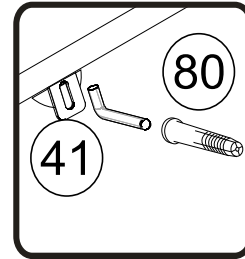
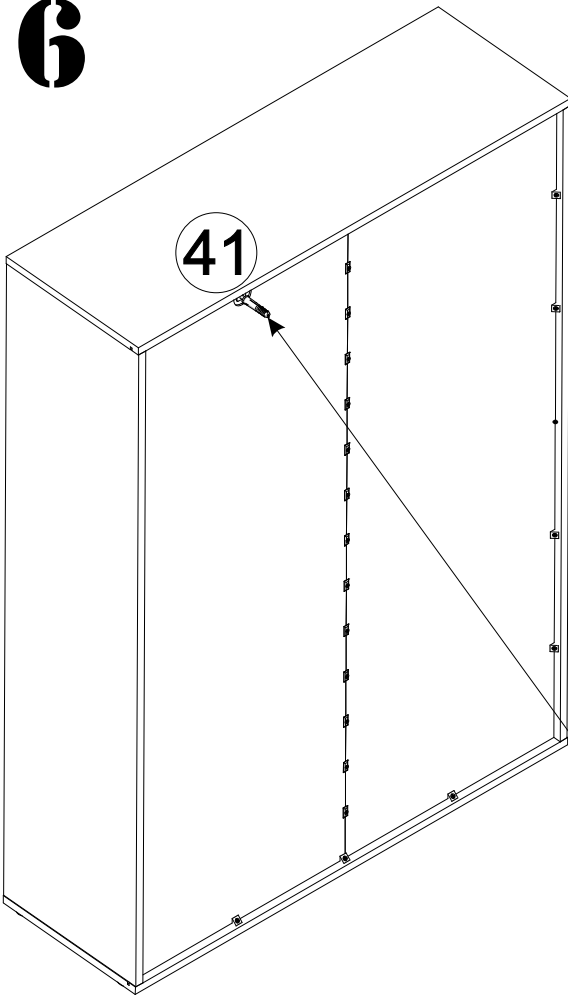
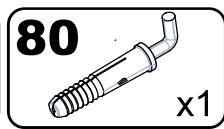
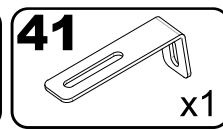
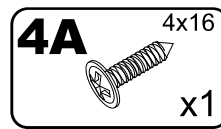
35  x13

38  x16

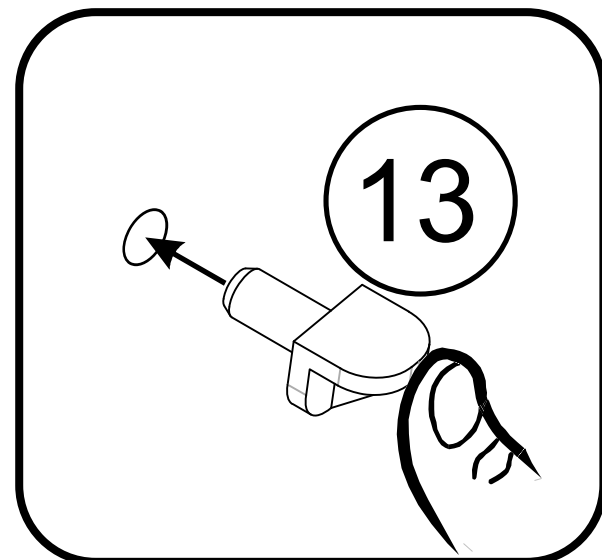
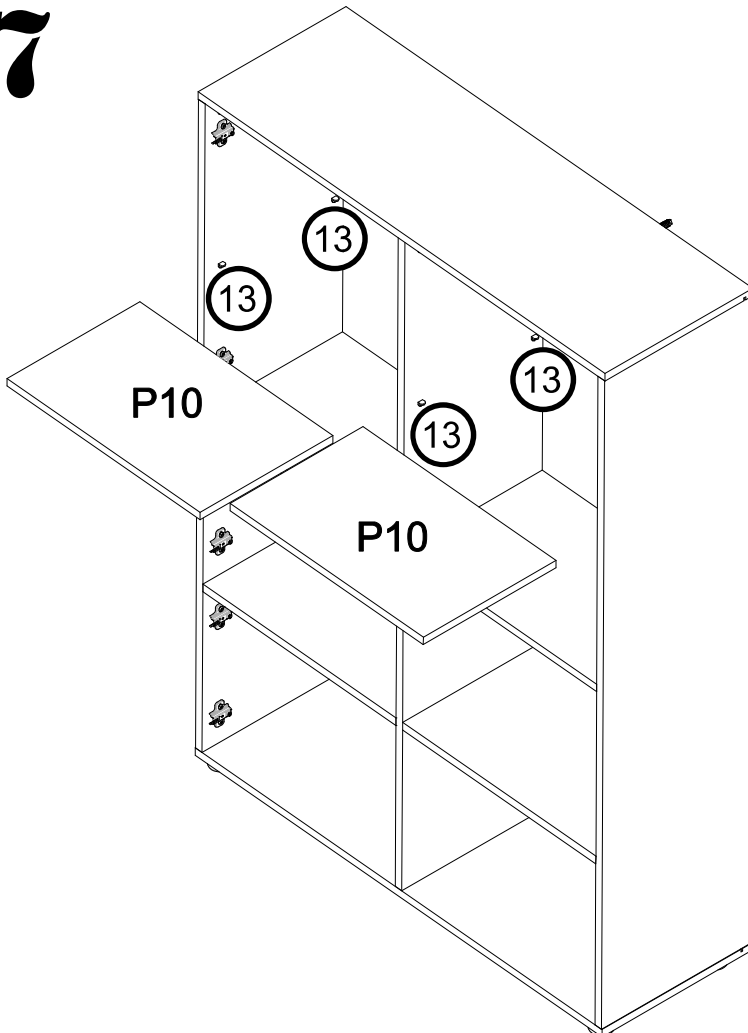
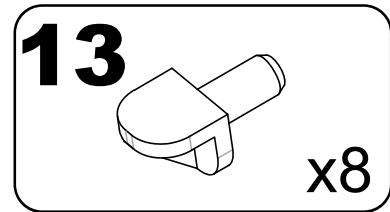
39  3x20 x29



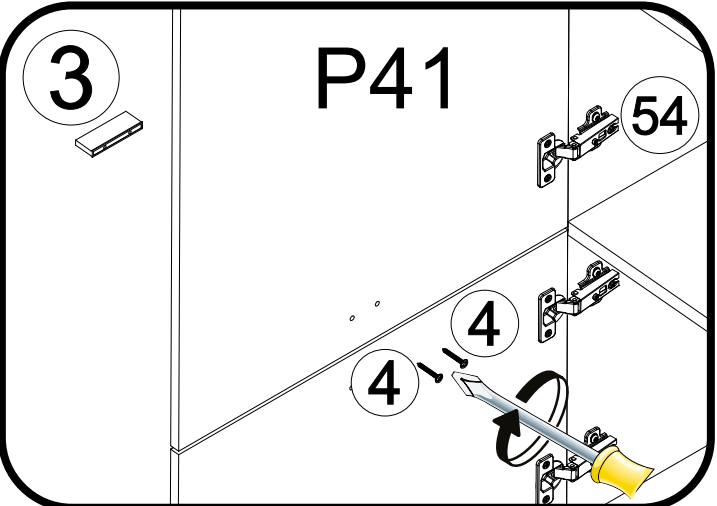
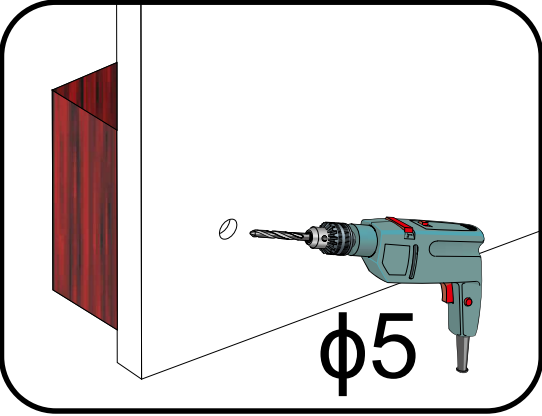
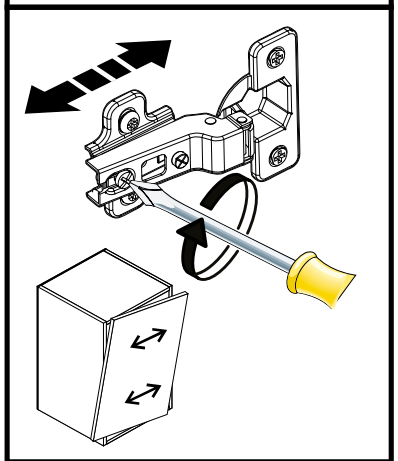
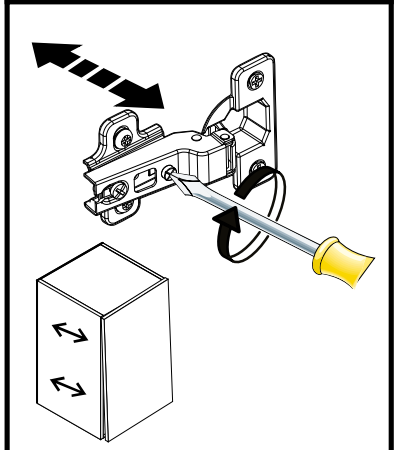
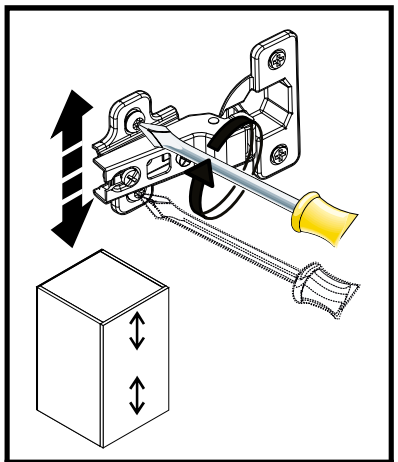
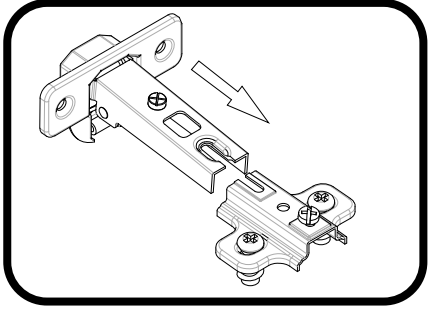
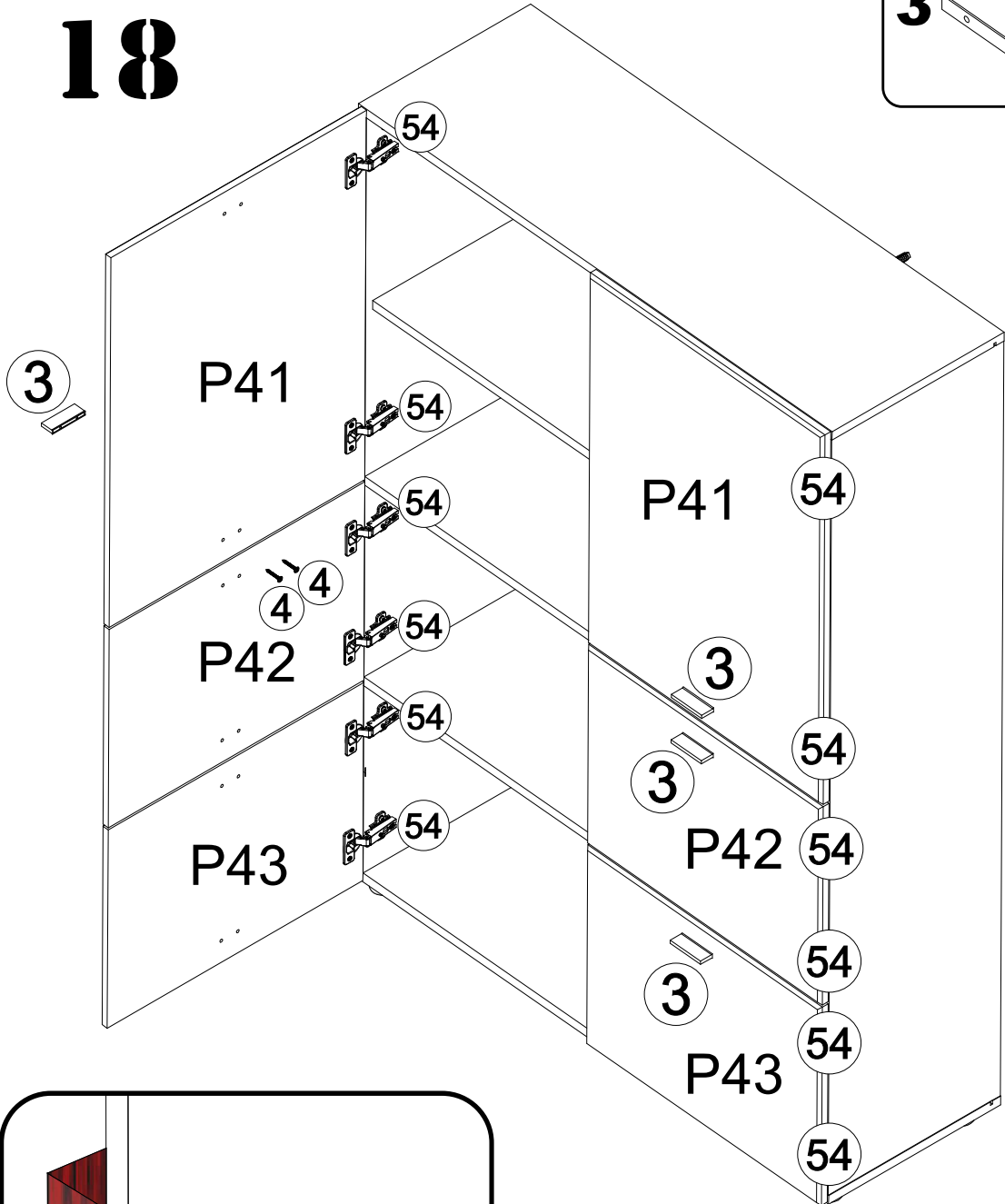
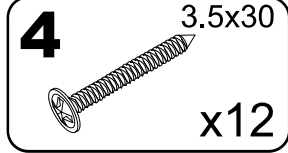
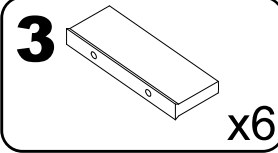
16



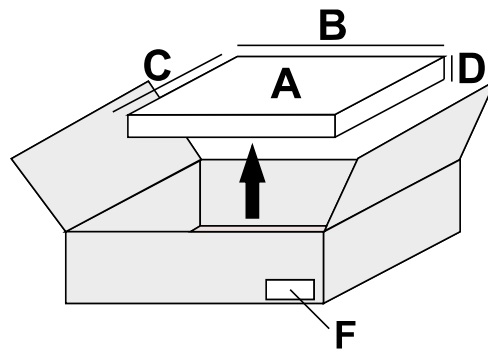
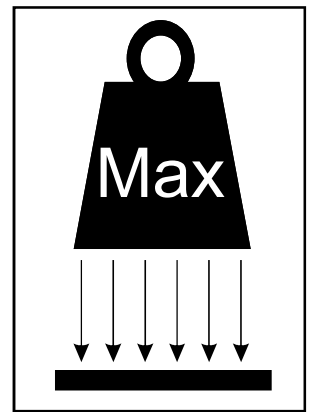
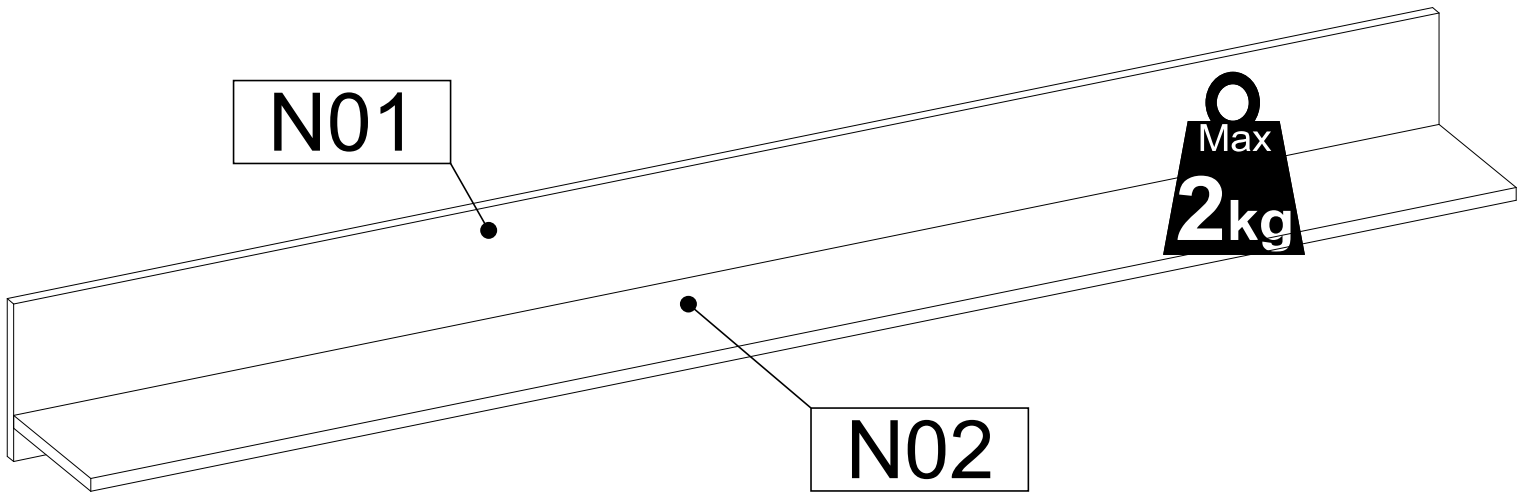
17



18

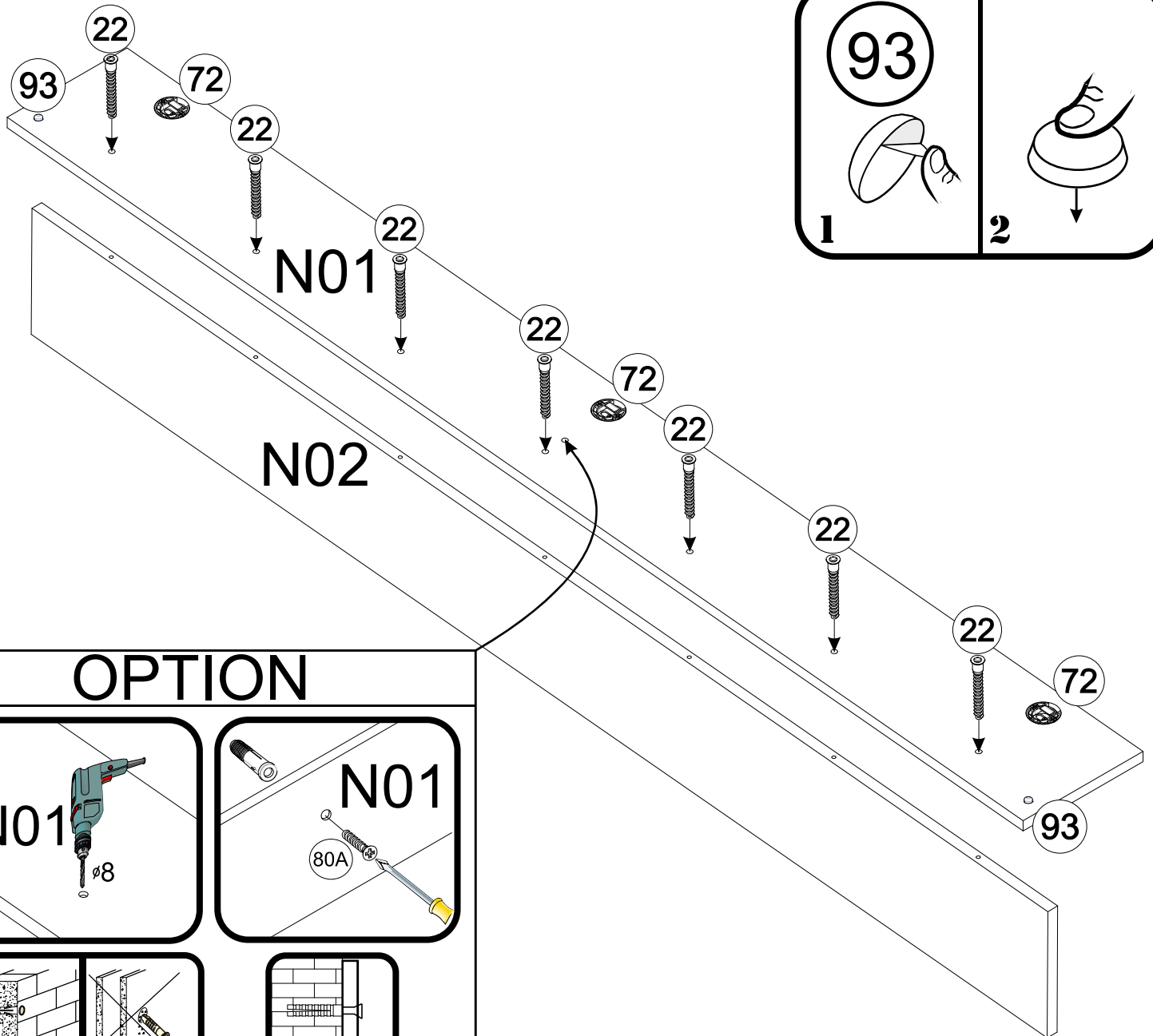
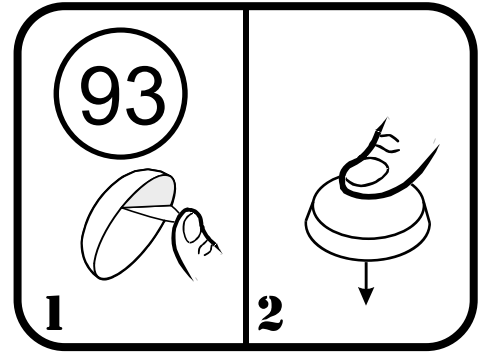
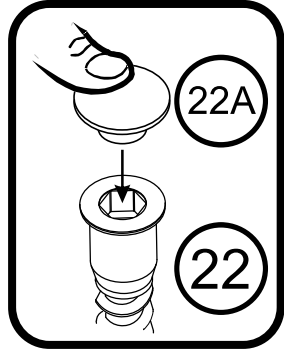
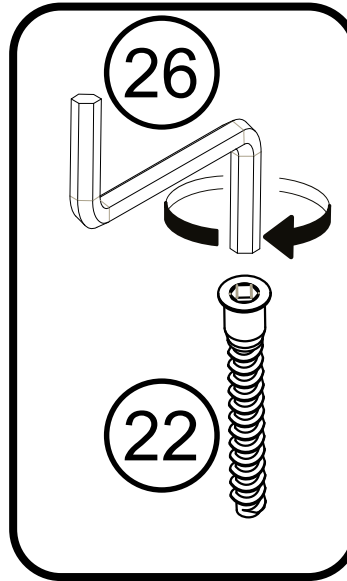
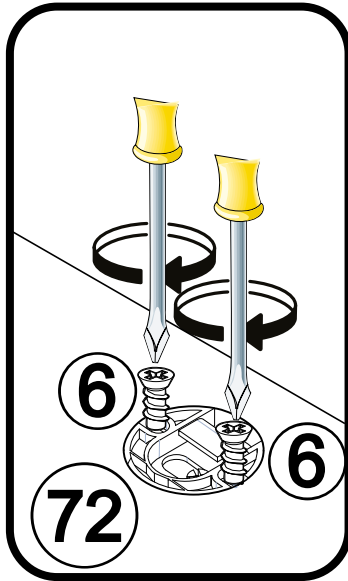
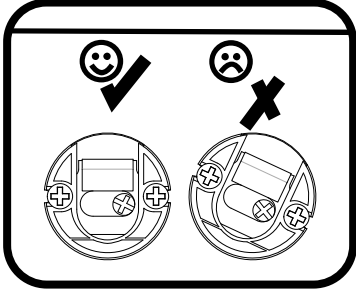
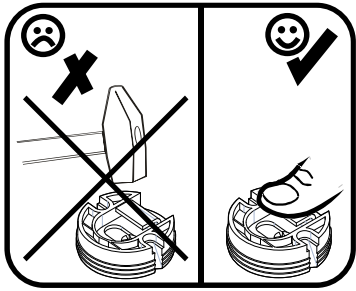
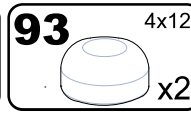
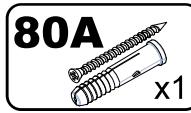
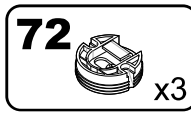
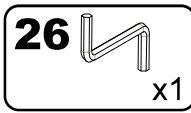
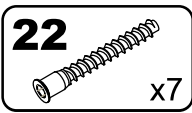
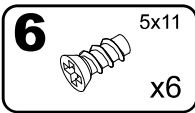


N

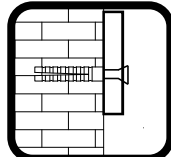
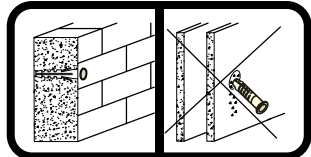
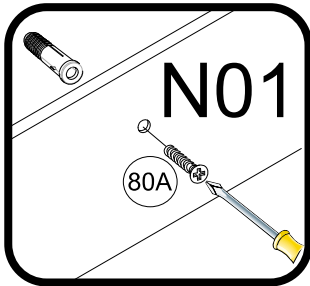
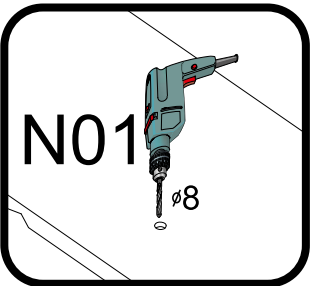


A	B (mm)	C (mm)	D (mm)	E	F
N01	1800	195	16	1	3/4
N02	1800	195	16	1	3/4

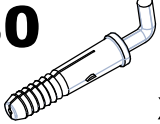
I



OPTION



2

80  x3

