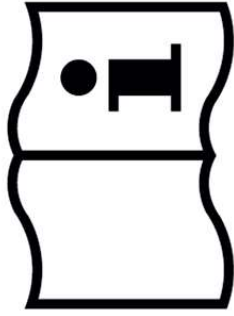
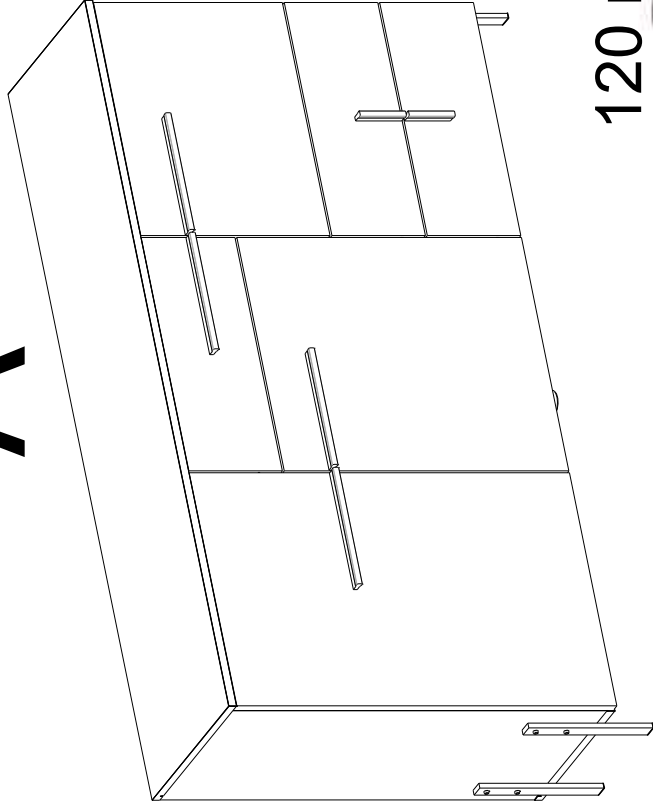
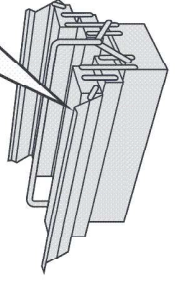
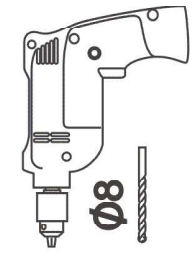
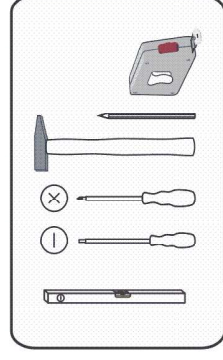
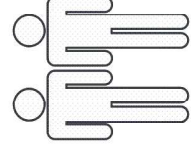
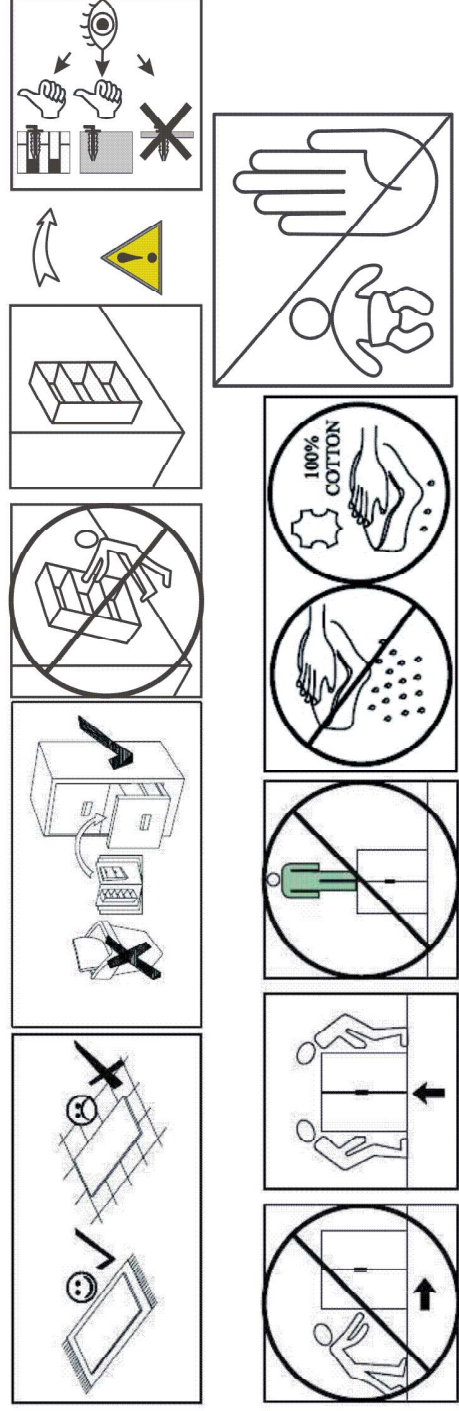
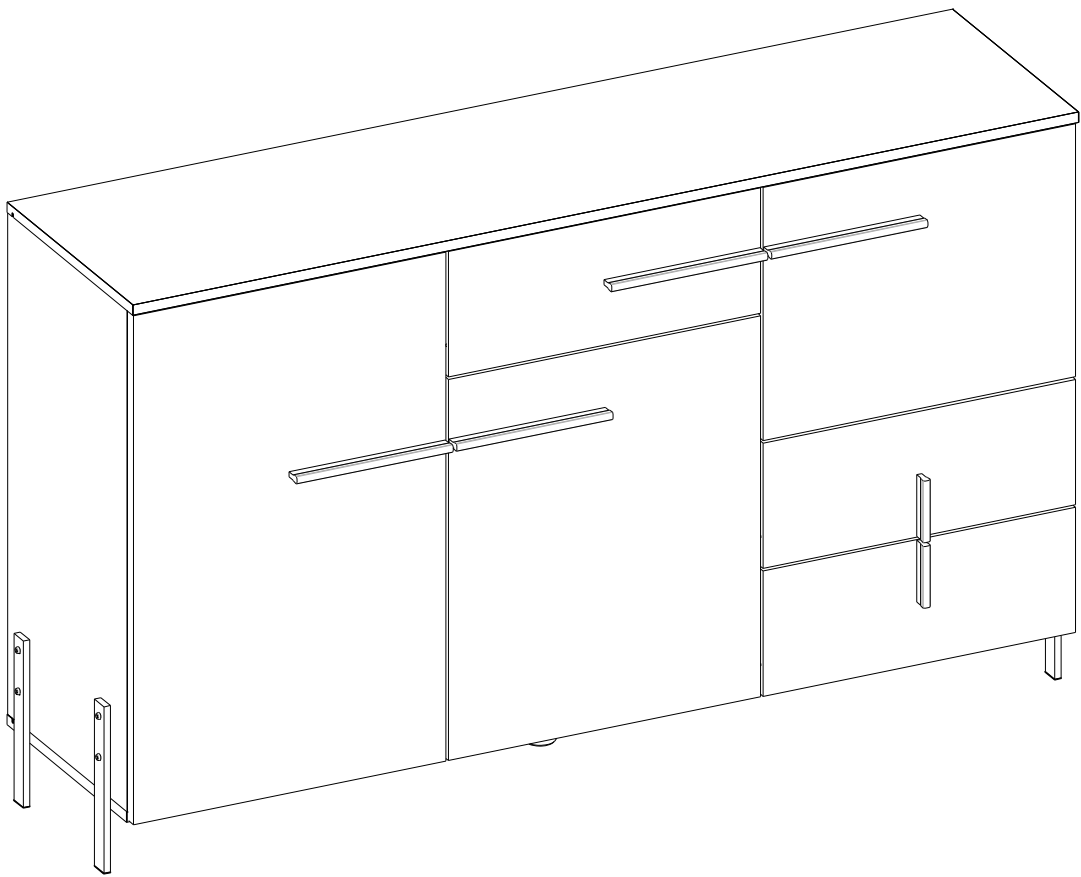
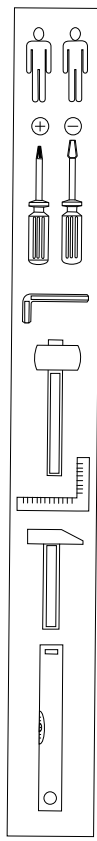


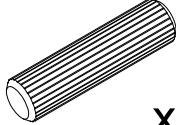
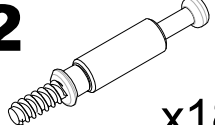
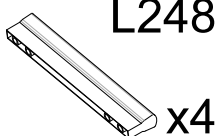
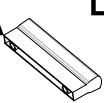

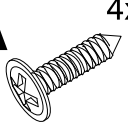
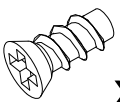

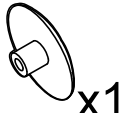
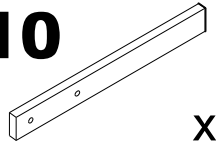
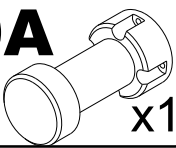
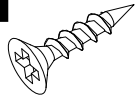
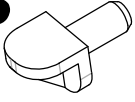
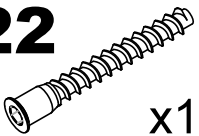


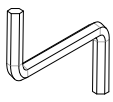
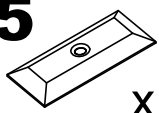
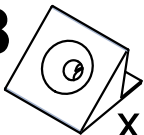
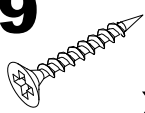
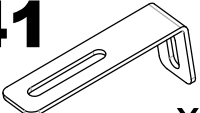
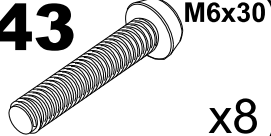

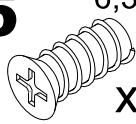
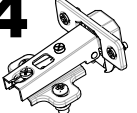
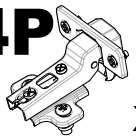
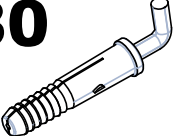
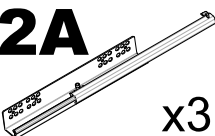
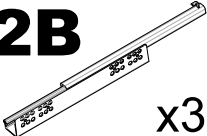
A



120 min

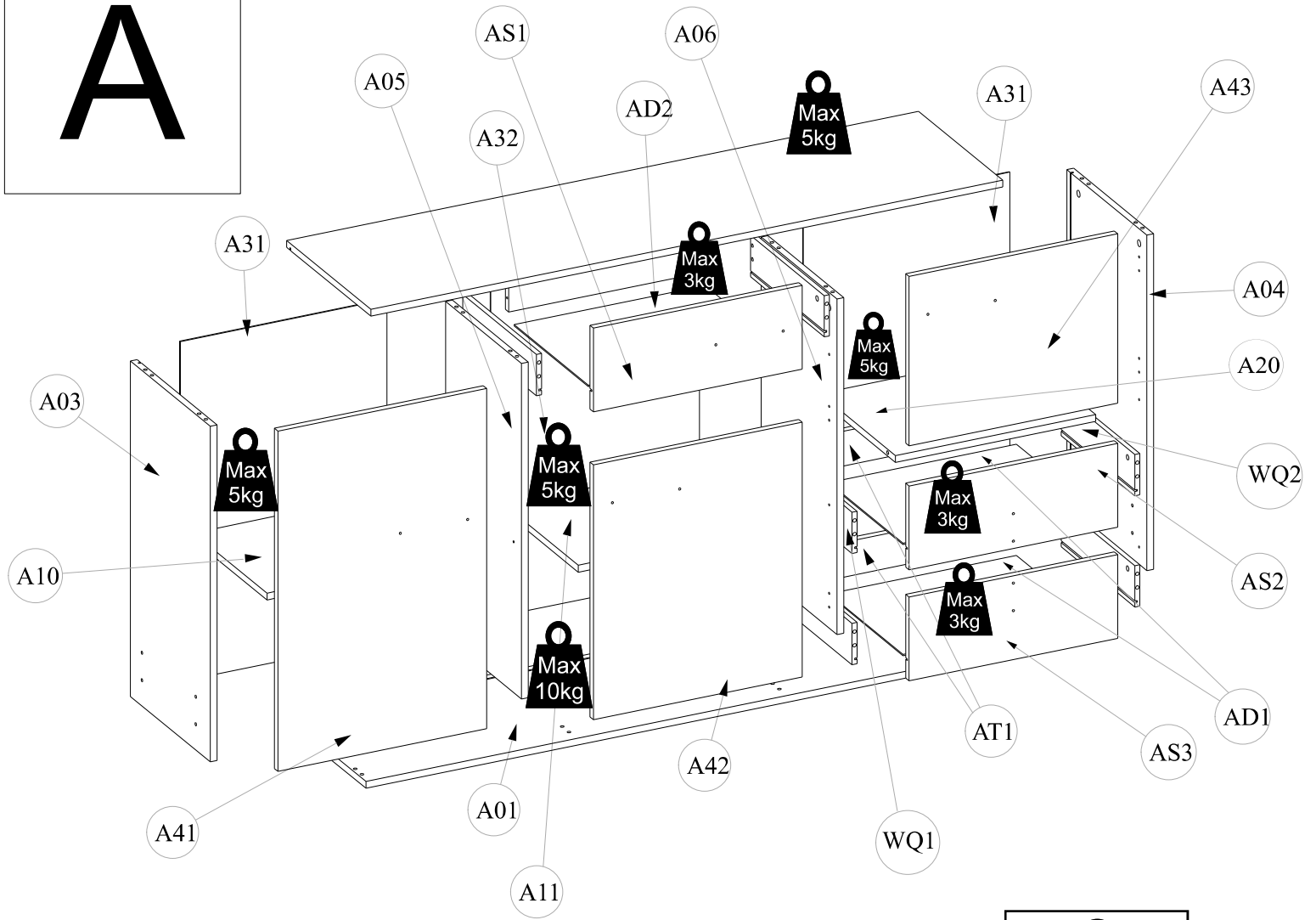




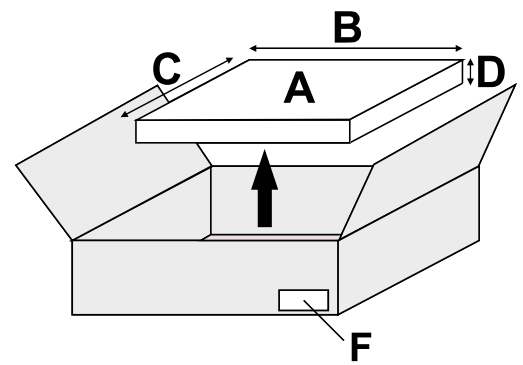
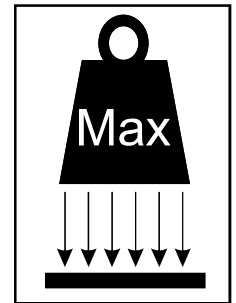
- | | | | | |
|---|---|--|--|---|
| 1

x28 | 2

x18 | 3 L248

x4 | 3A L96

x2 | 4 3.5x30

x12 |
| 4A 4x16

x2 | 6 5x11

x12 | 9 ø15

x12 | 9A

x12 | 10

x4 |
| 10A

x1 | 11 3.5x13

x4 | 13

x8 | 22

x14 | 22A

x14 |
| 24 ø12

x6 | 26

x1 | 35

x14 | 38

x19 | 39 3x20

x45 |
| 41

x2 | 43 M6x30

x8 | 44 M6

x8 | 45 6,3x13

x12 | 54 ø35

x4 |
| 54P ø35

x2 | 80

x2 | 92A

x3 | 92B

x3 | |



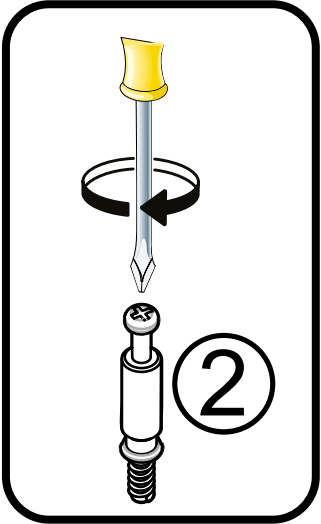
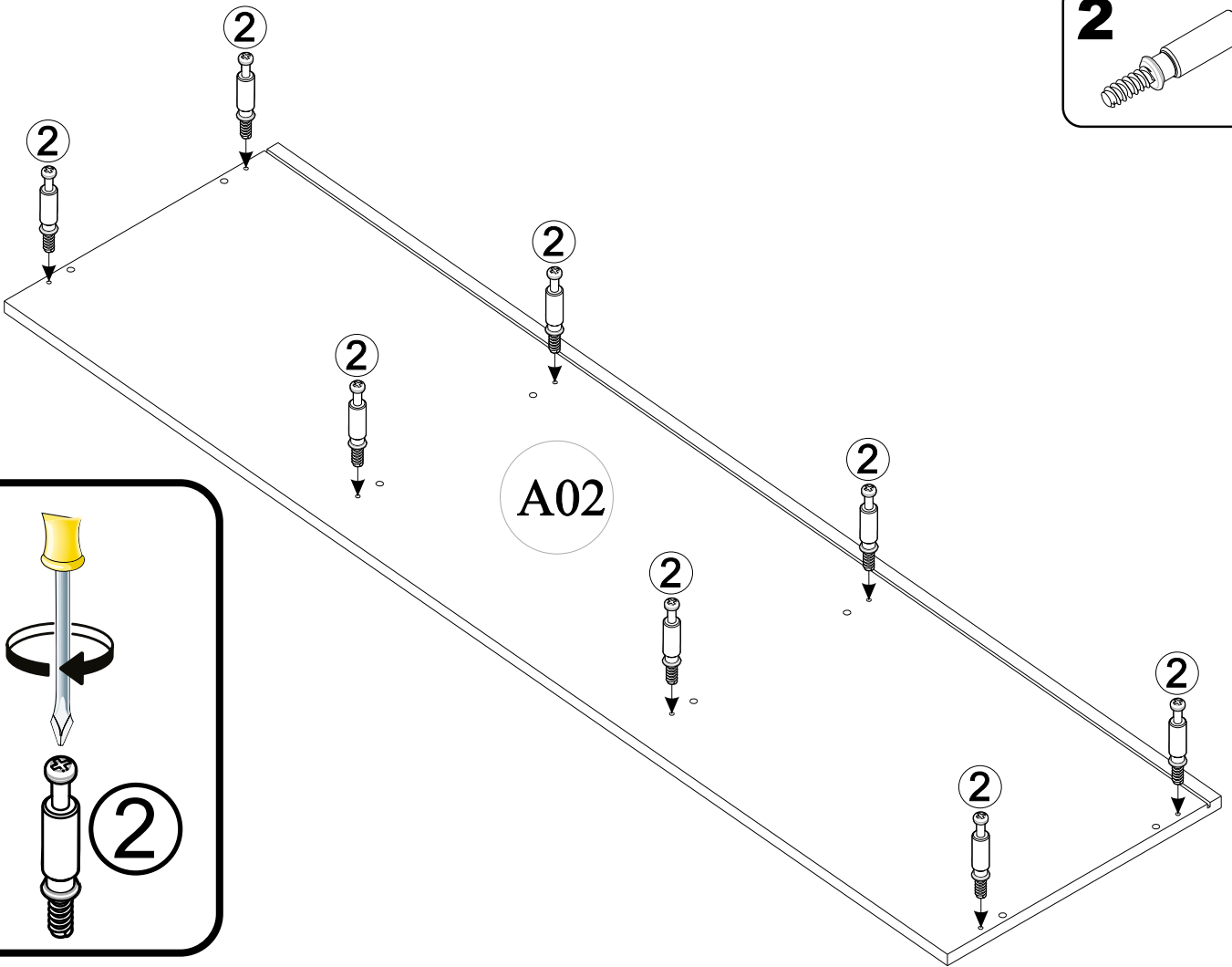
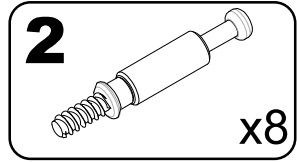
A



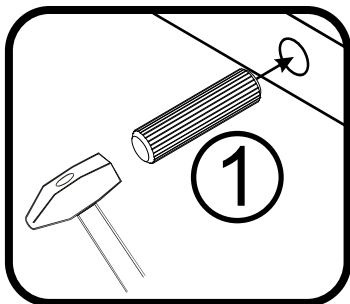
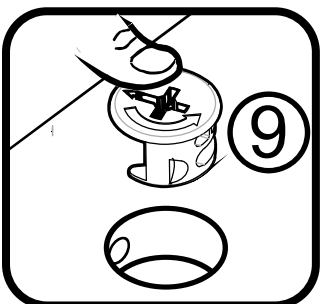
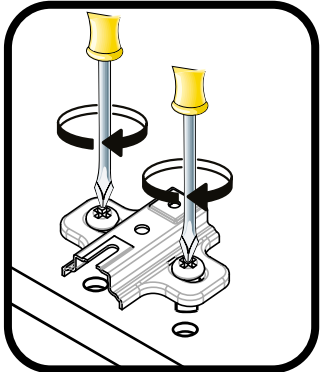
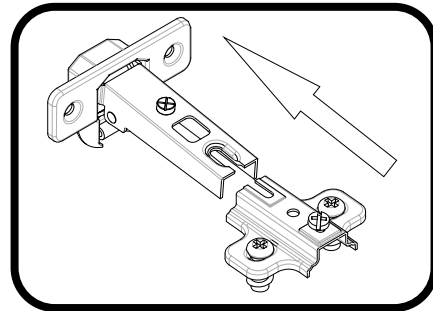
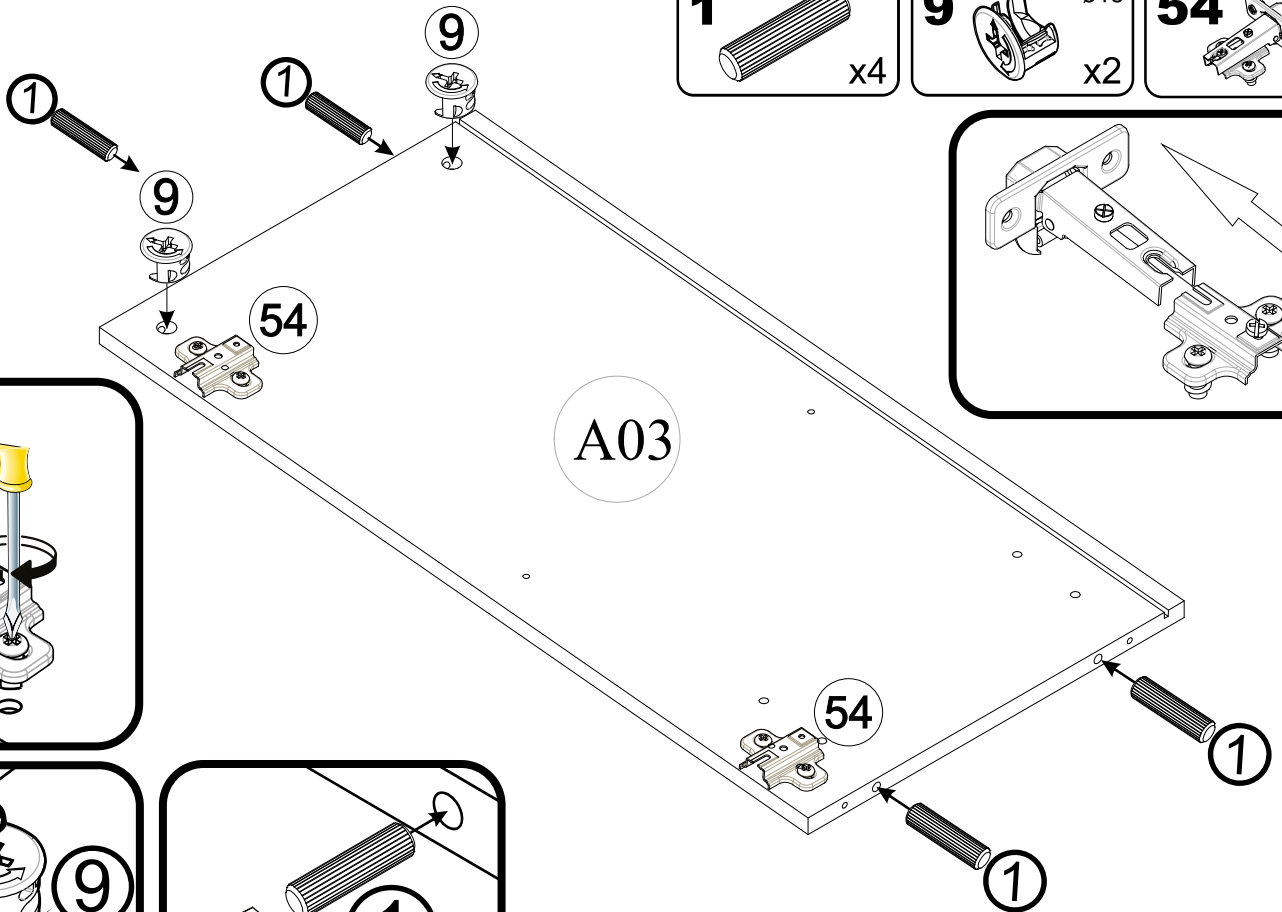
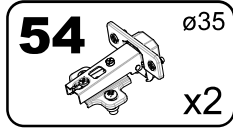
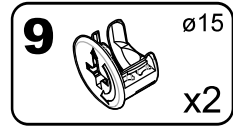
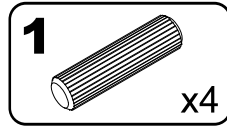
A	B (mm)	C (mm)	D (mm)	E	F
A01	1502	380	16	1	2 2
A02	1502	400	16	1	2 2
A03	781	380	16	1	2 2
A04	781	380	16	1	2 2
A05	781	360	16	1	2 2
A06	781	360	16	1	2 2
A10	476	350	16	1	2 2
A11	484	350	16	1	2 2
A20	476	360	16	1	2 2
A31	791	491	3	2	1 2
A32	791	496	3	1	1 2
A41	792	496	16	1	1 2
A42	496	593	16	1	1 2
A43	496	394	16	1	1 2
AD1	446	353	3	2	1 2
AD2	454	353	3	1	1 2
AS1	496	195	16	1	1 2
AS2	496	195	16	1	1 2
AS3	496	195	16	1	1 2
AT1	436	81	16	2	1 2
AT2	444	81	16	1	1 2
WQ1	350	96	12	3	1 2
WQ2	350	96	12	3	1 2



1

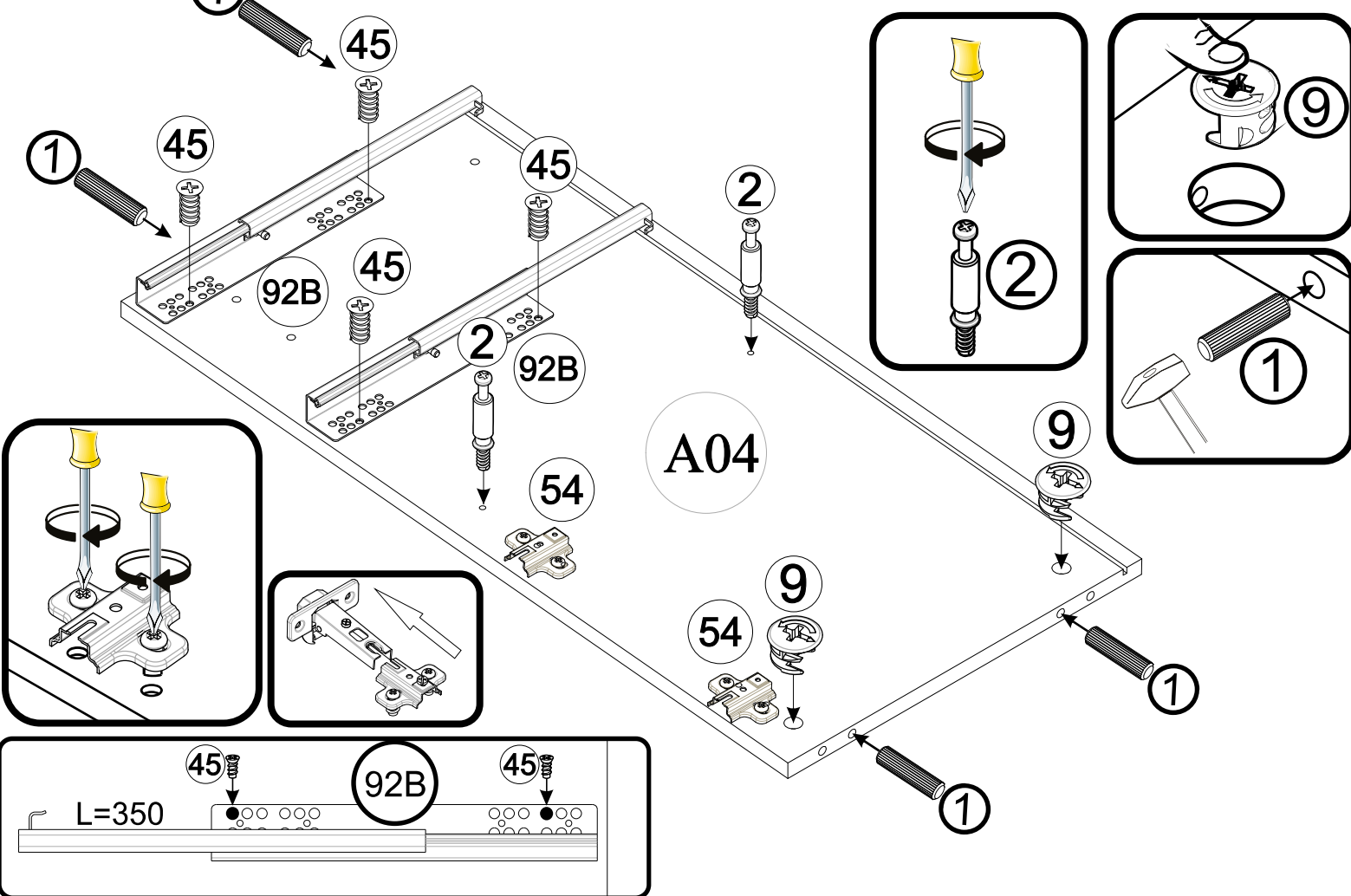


2



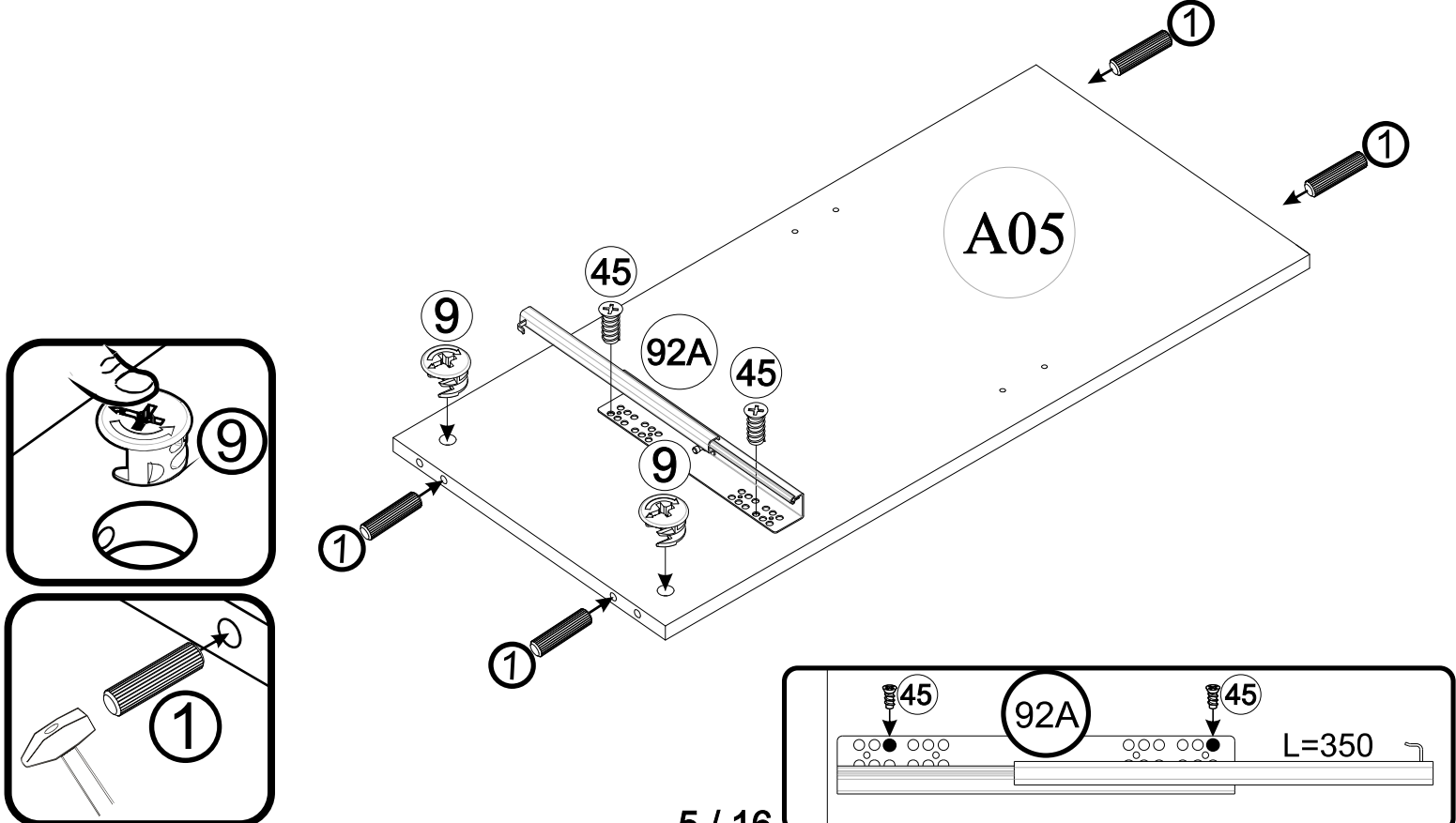
3

- 1
x4
- 2
x2
- 9
ø15
x2
- 45
6,3x13
x4
- 92B
x2
- 54
ø35
x2

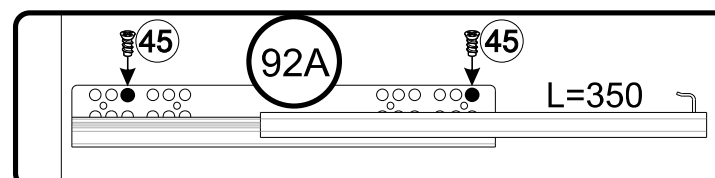
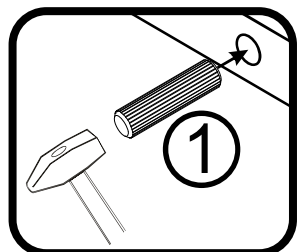
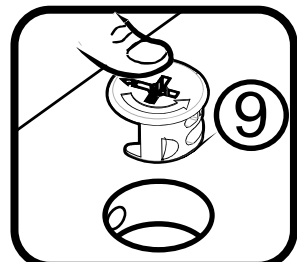
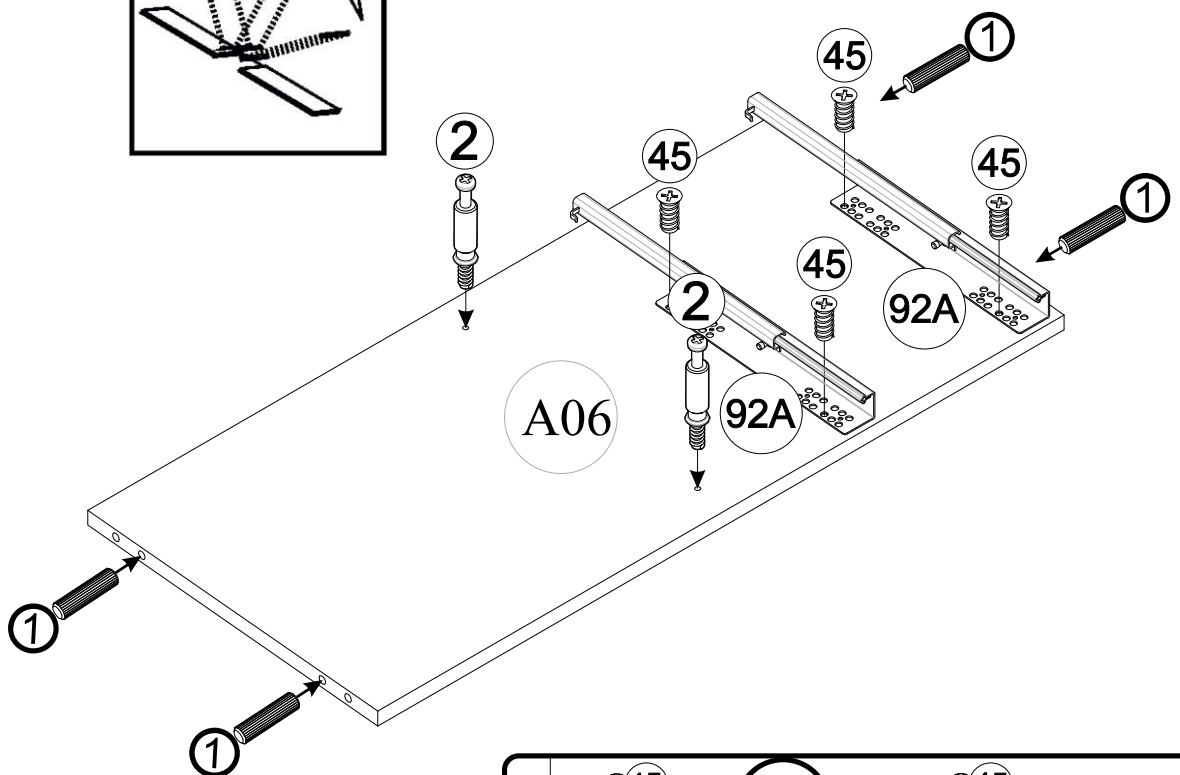
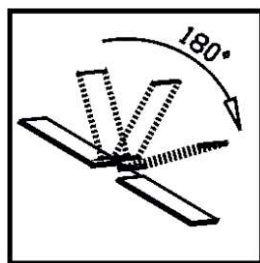
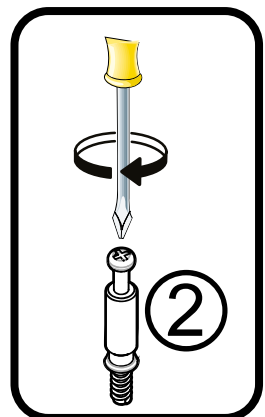
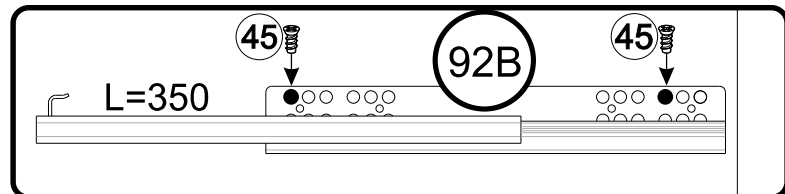
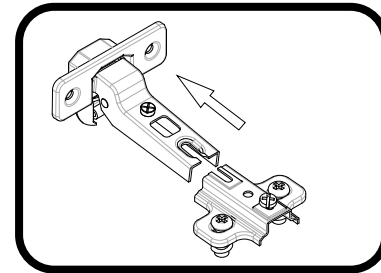
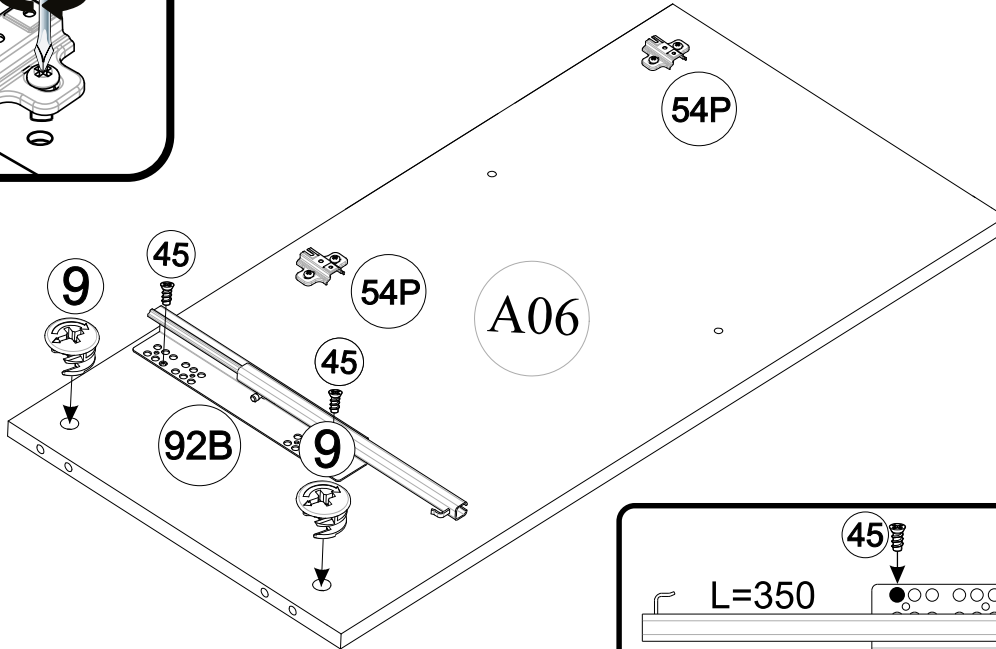
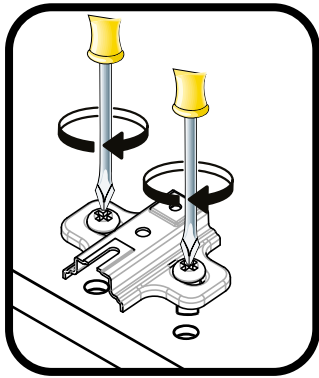
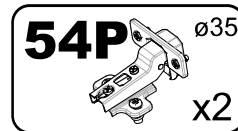
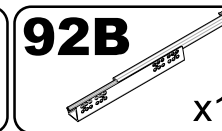
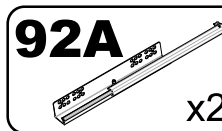
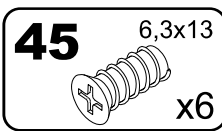
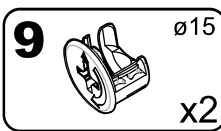
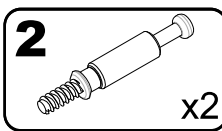
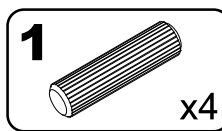


4

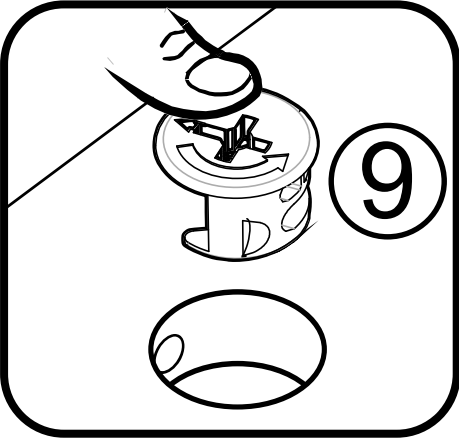
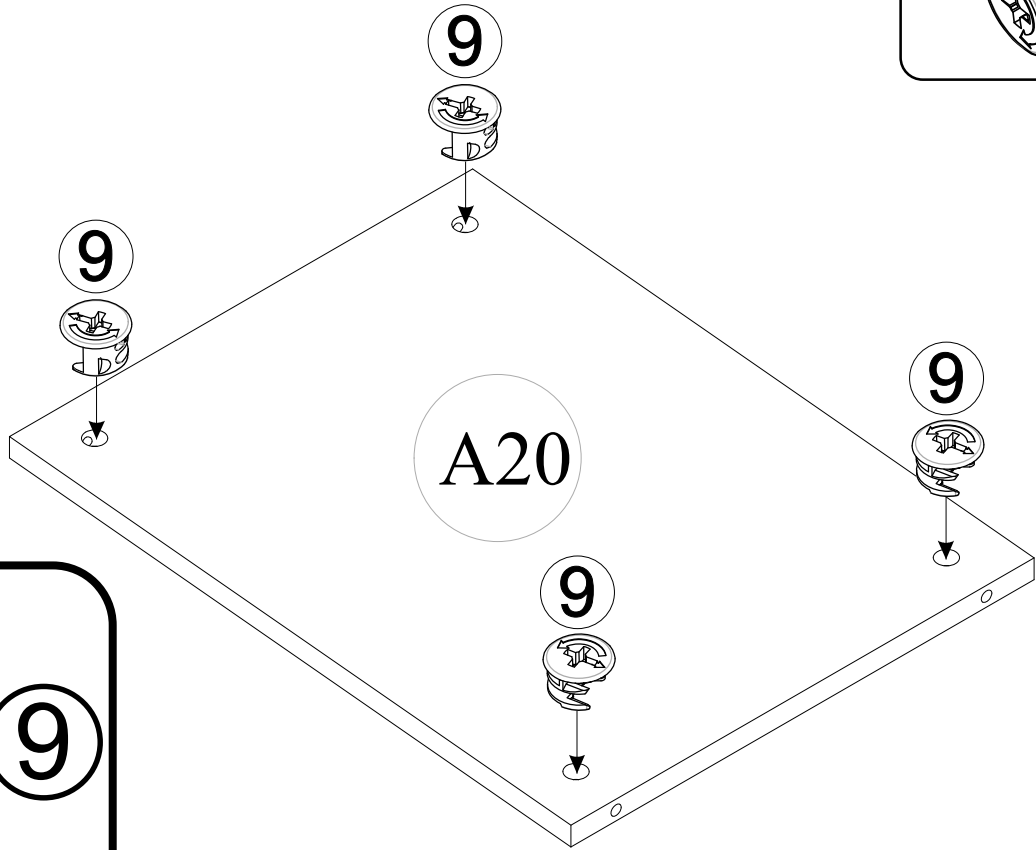
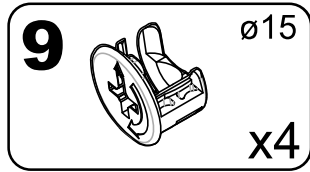
- 1
x4
- 9
ø15
x2
- 45
6,3x13
x2
- 92A
x1



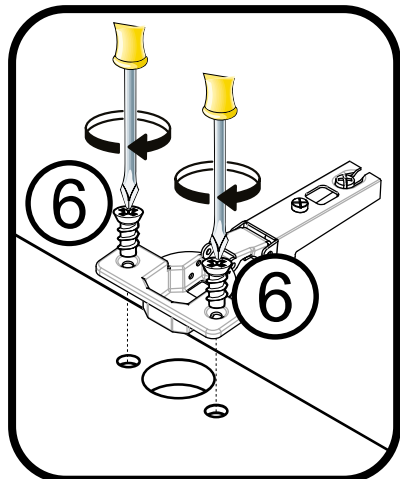
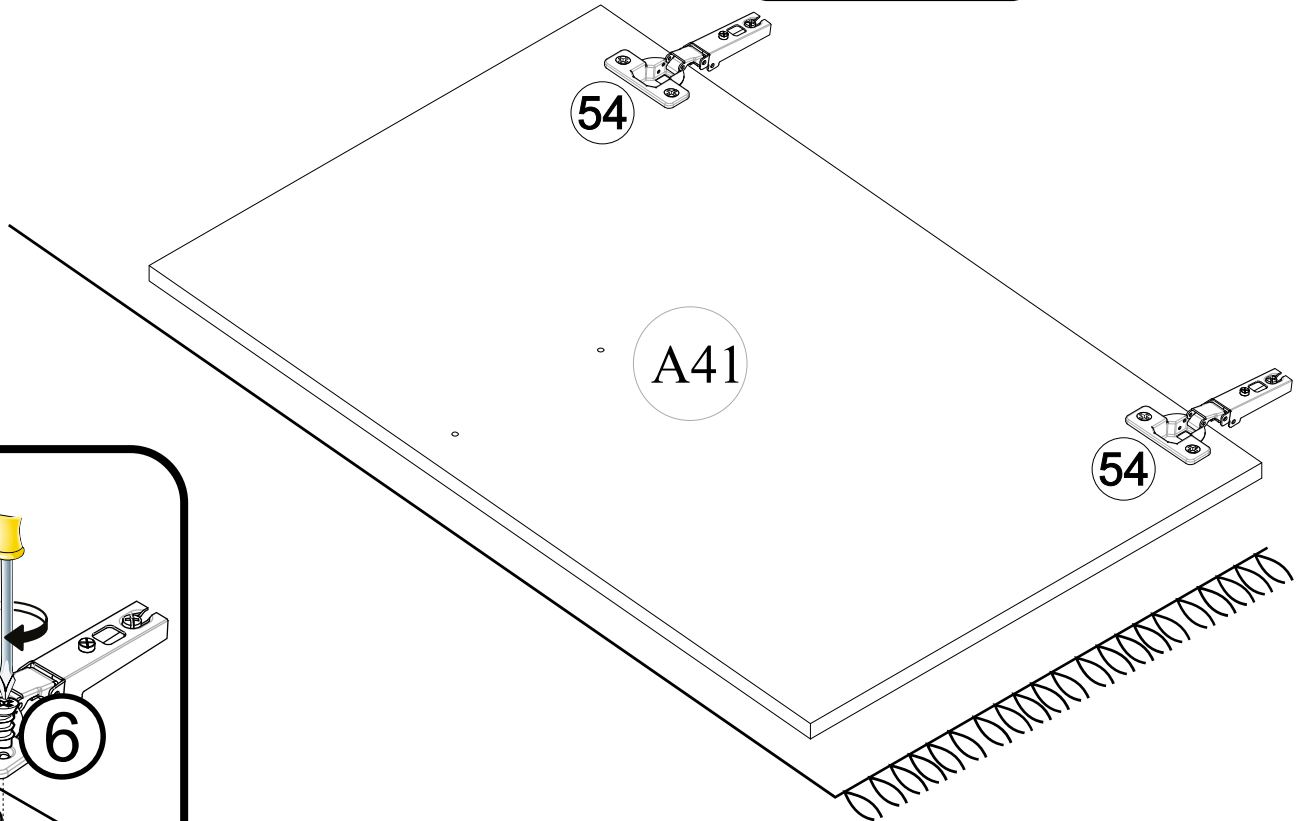
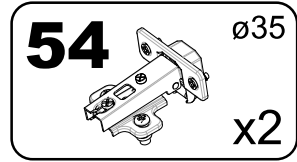
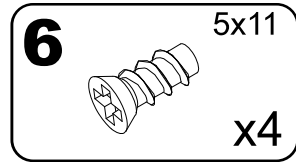
5



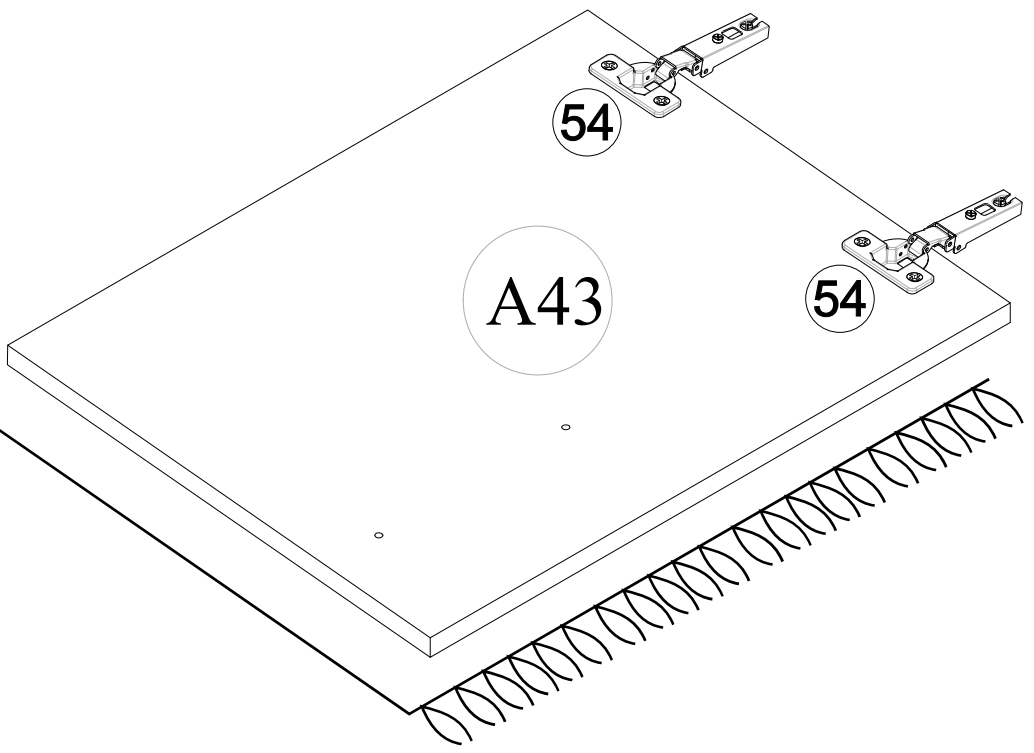
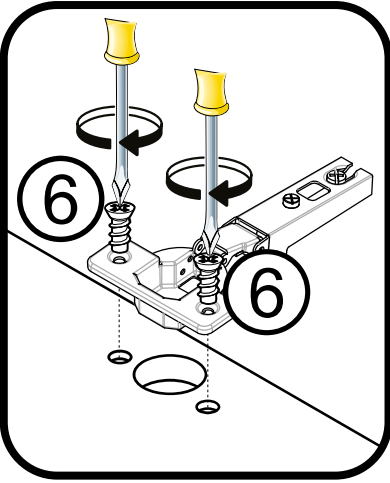
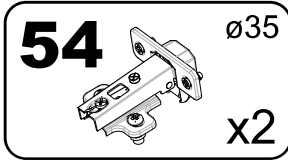
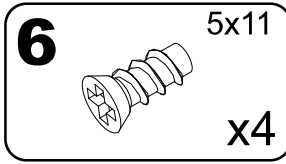
6



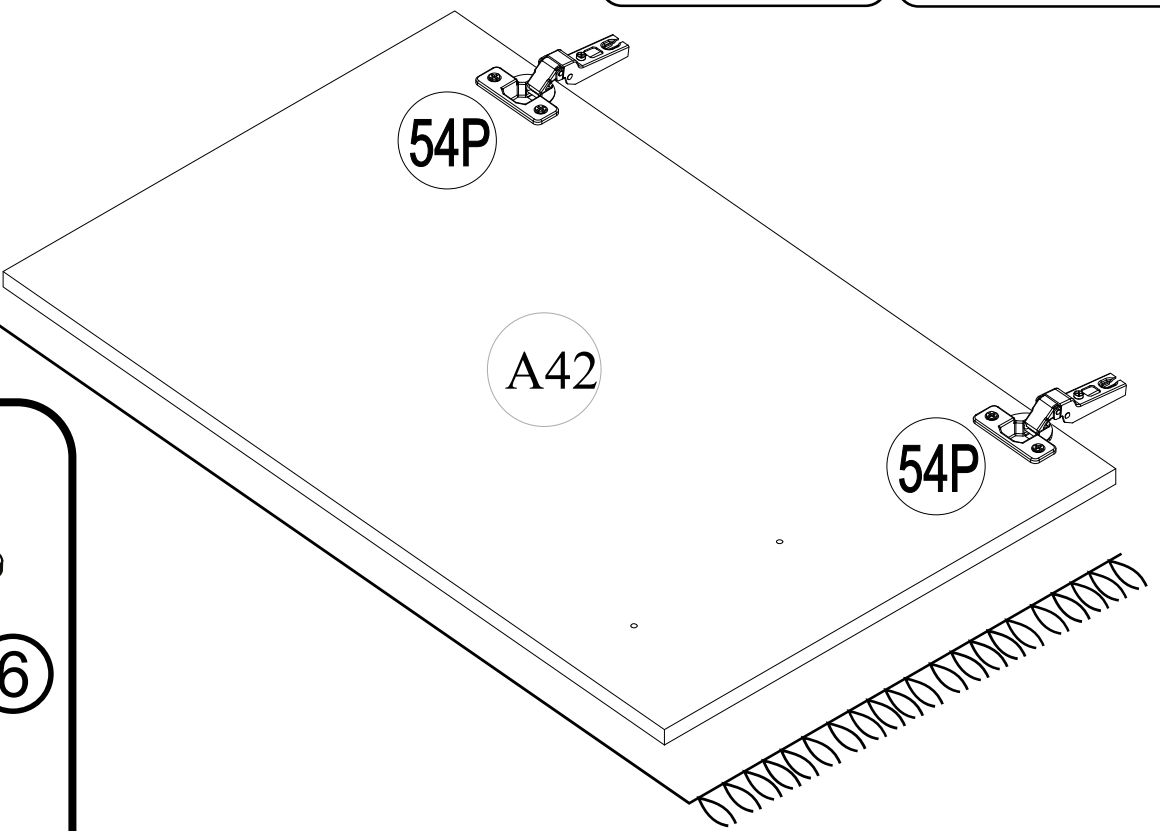
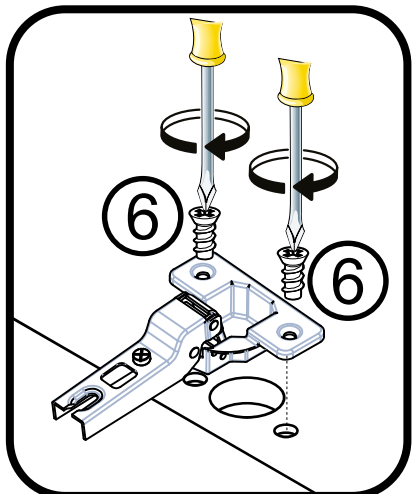
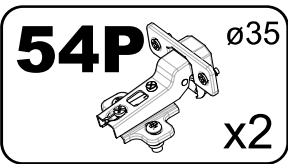
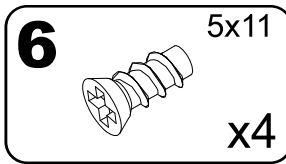
7



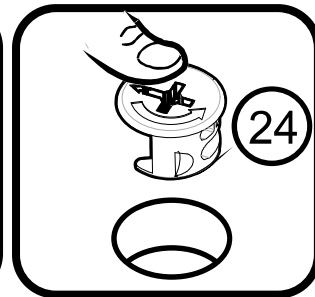
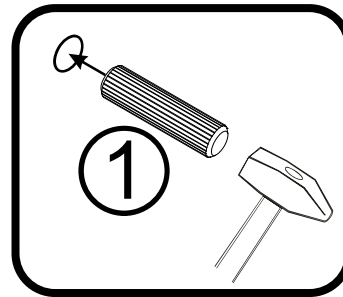
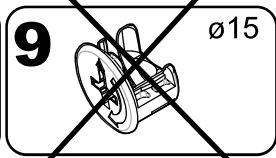
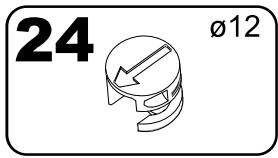
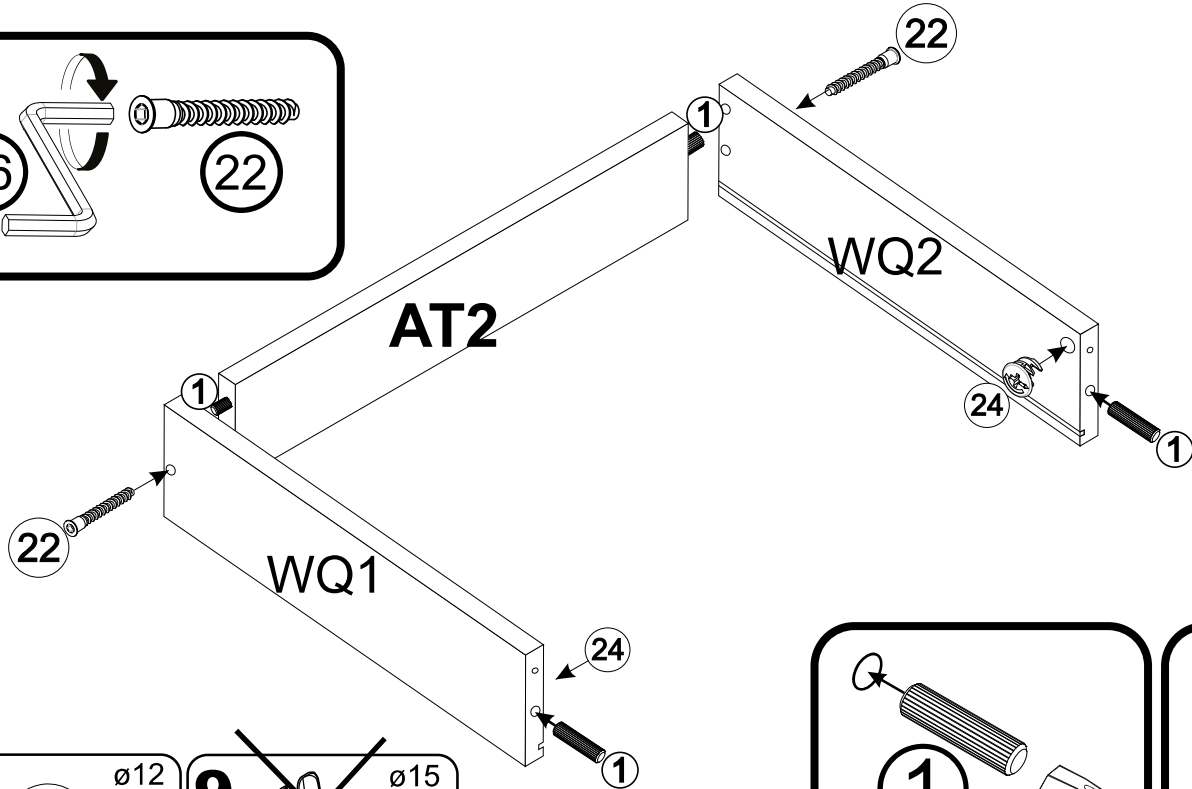
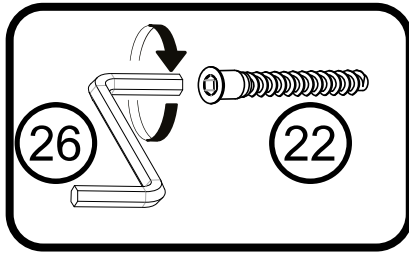
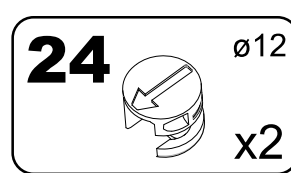
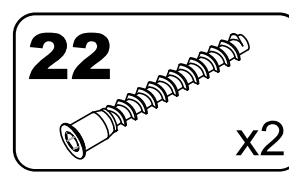
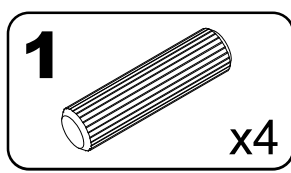
8



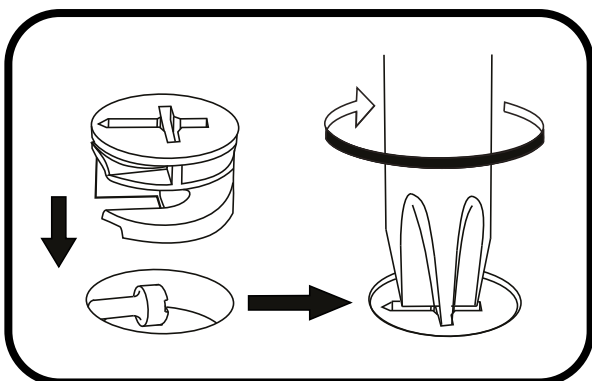
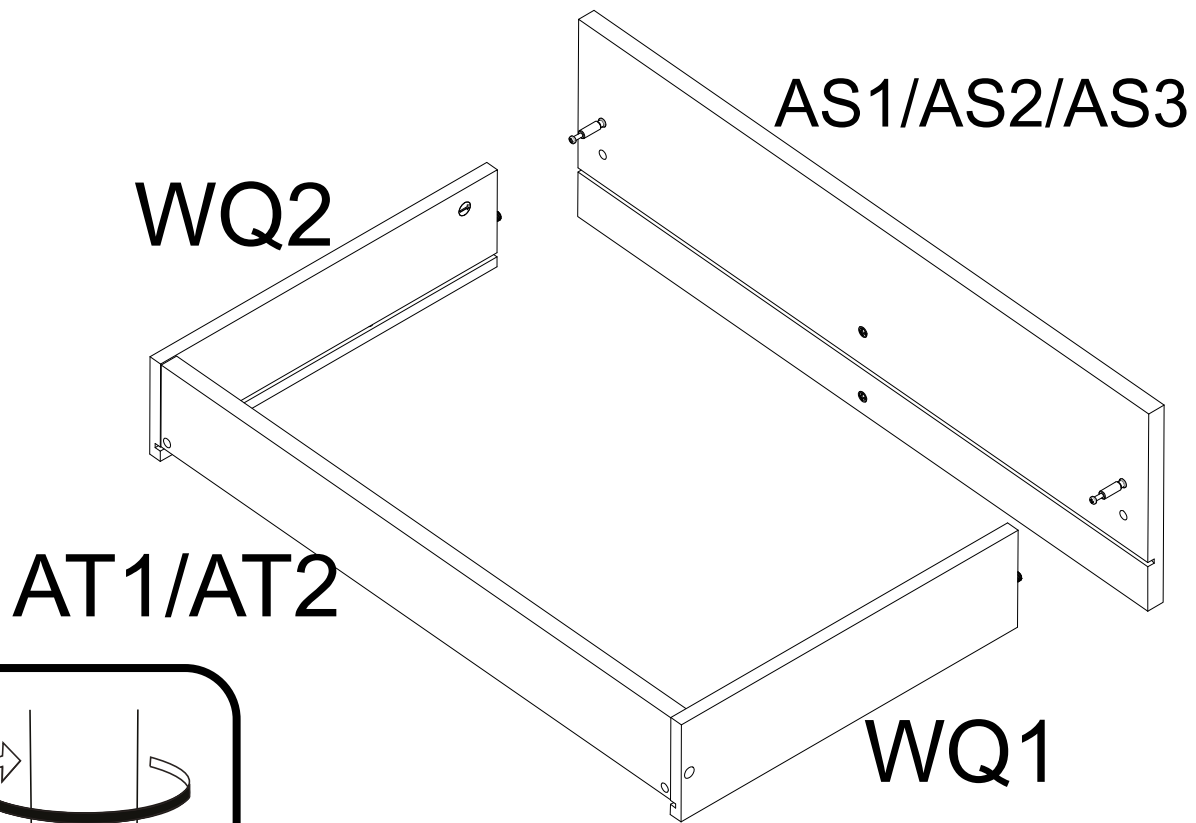
9



12

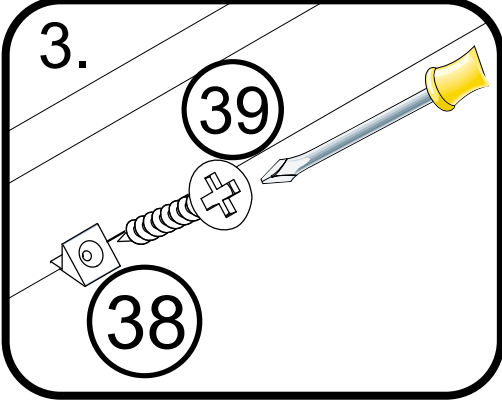
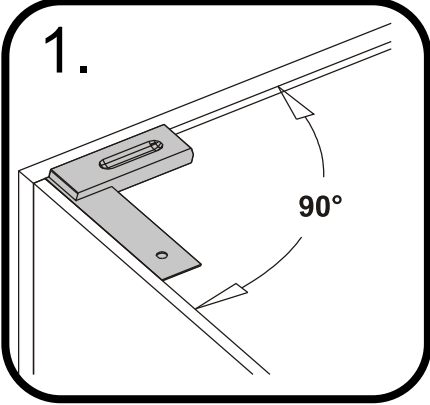
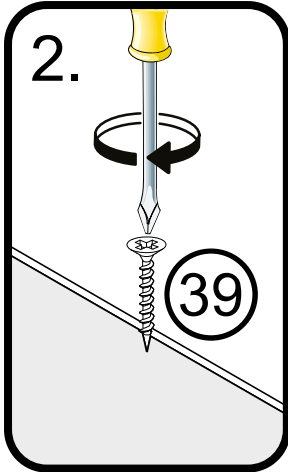
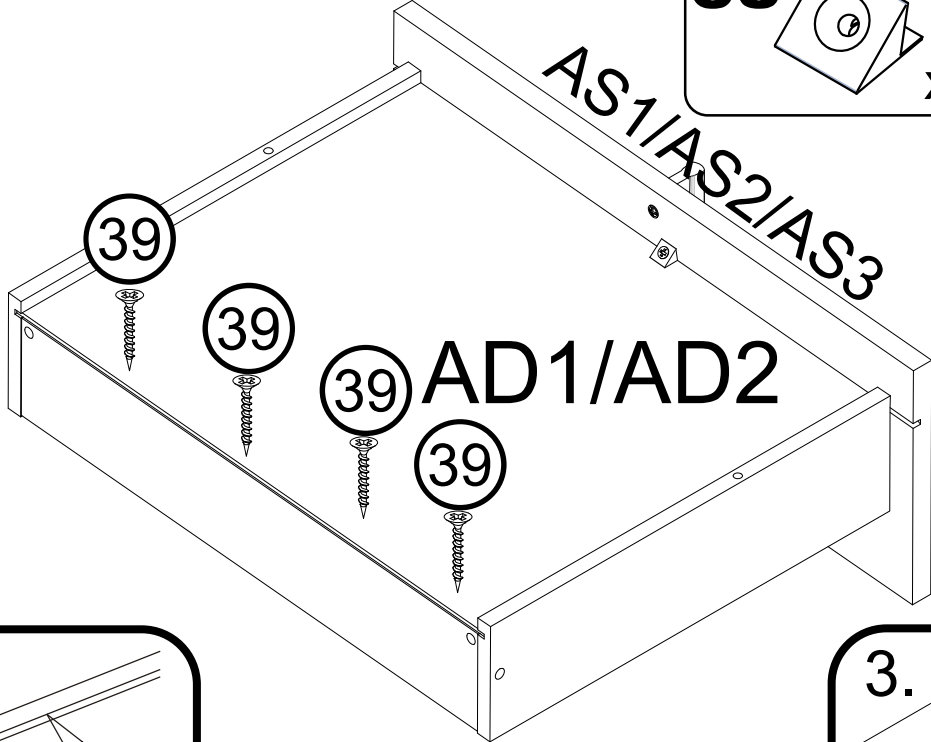
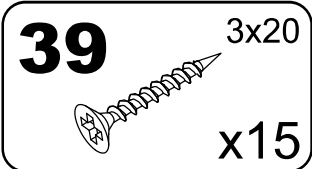
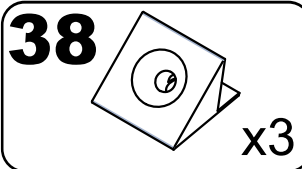


13



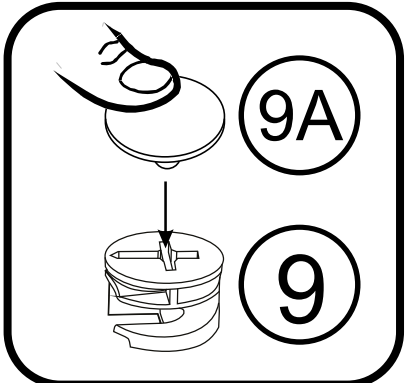
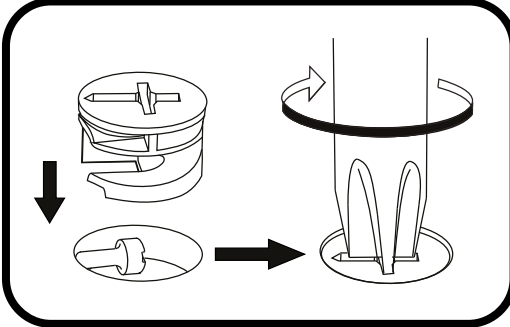
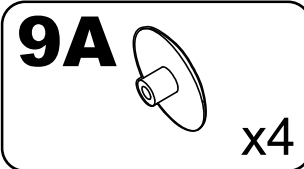
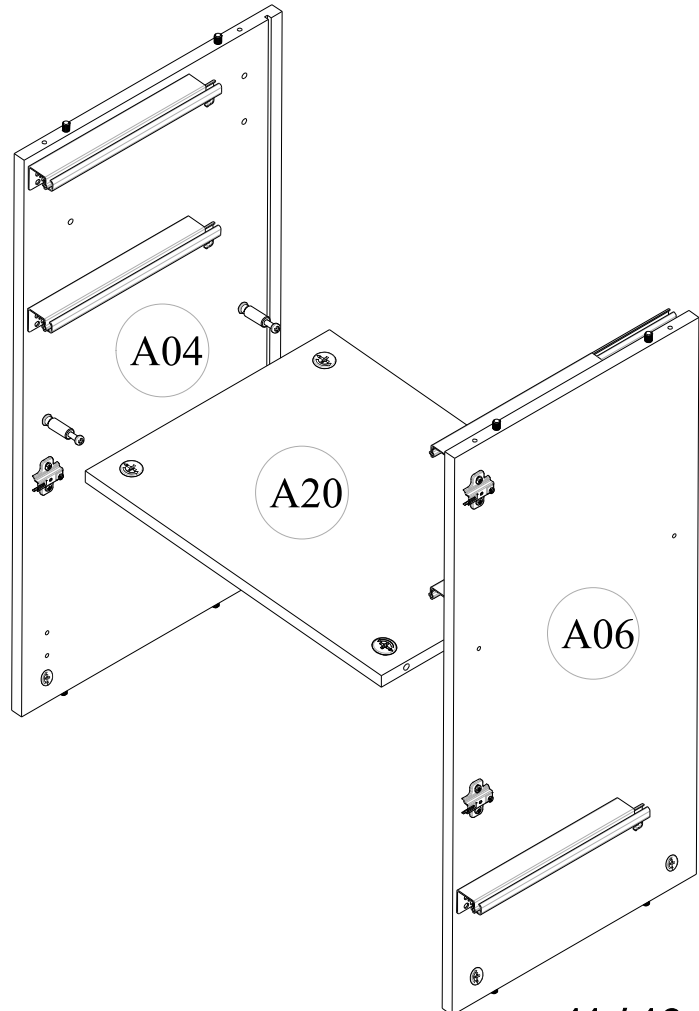
x3

14




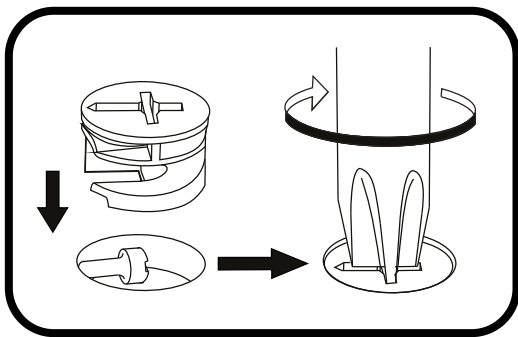
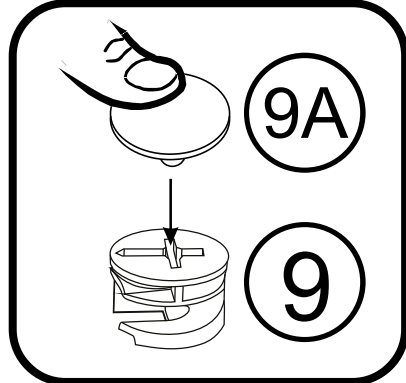
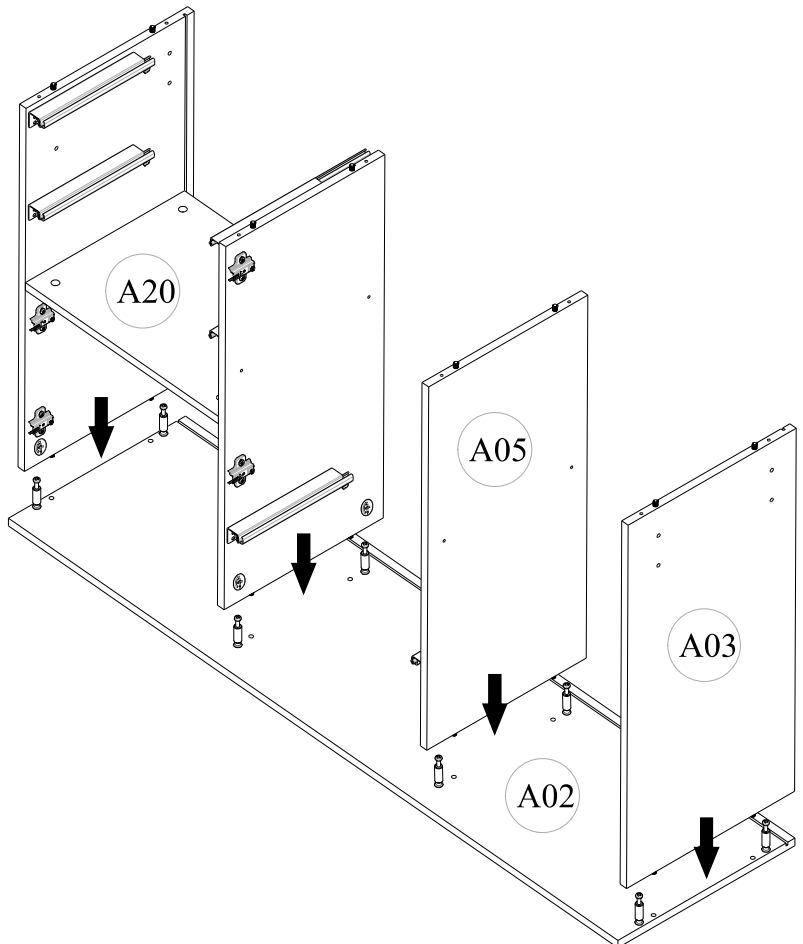
x3

15

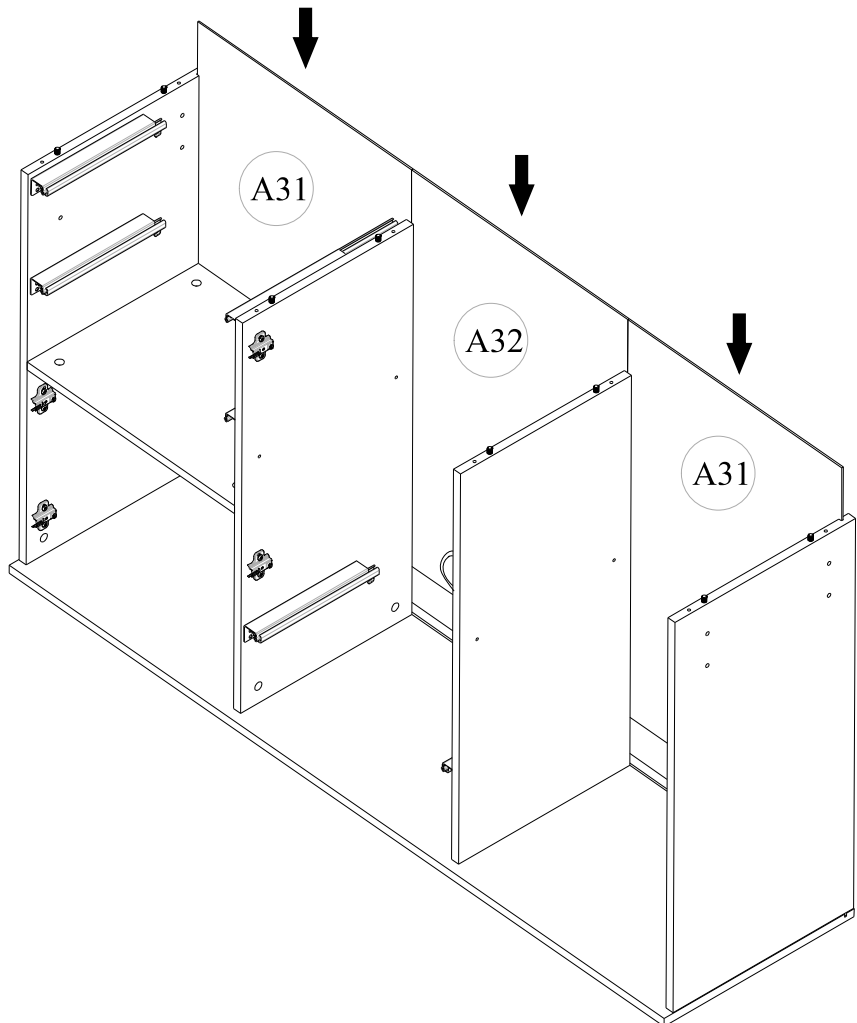


16

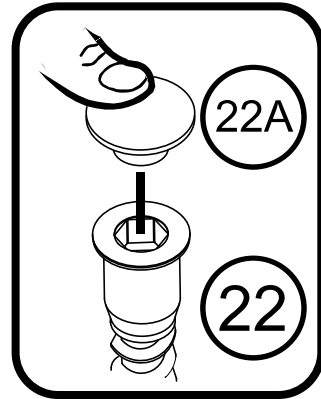
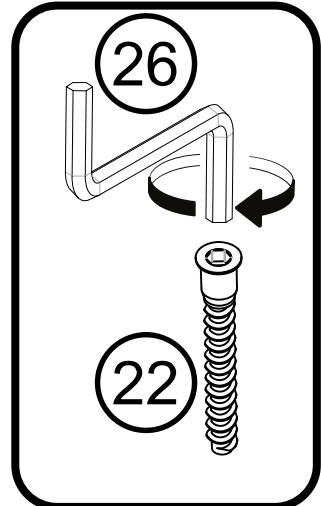
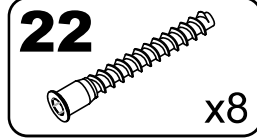
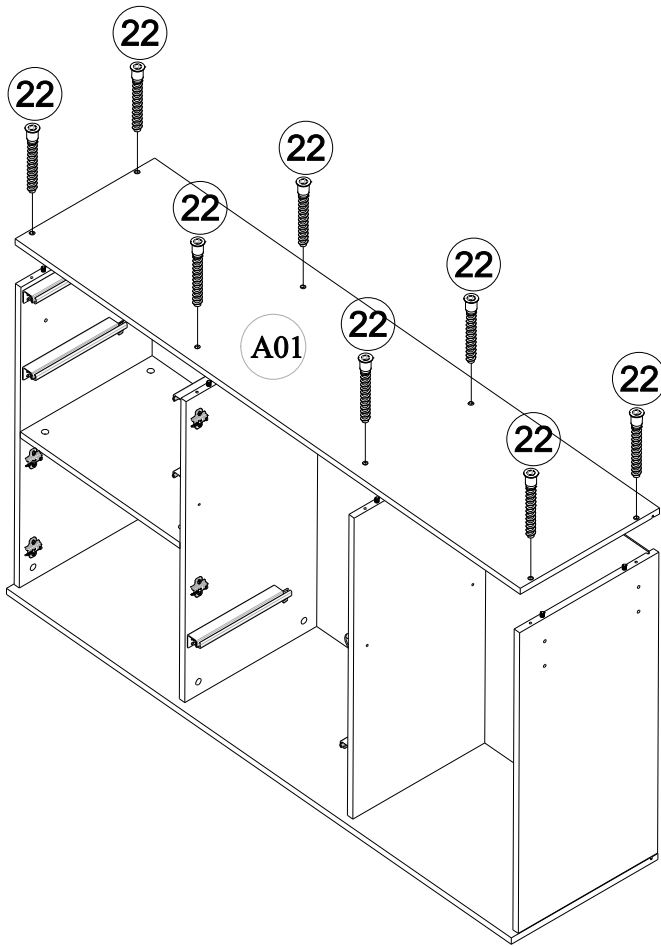
9A  x8



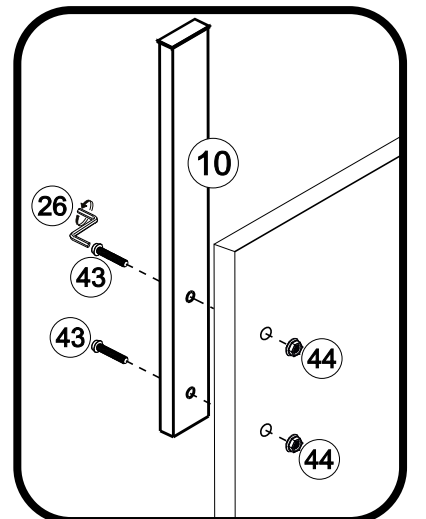
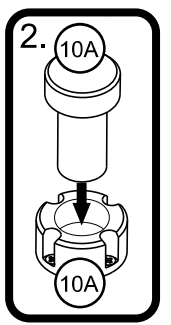
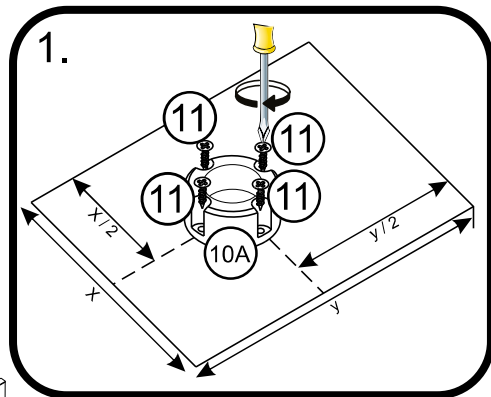
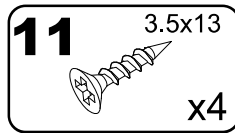
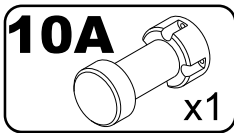
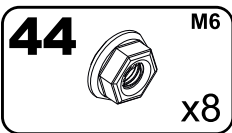
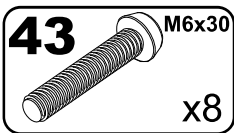
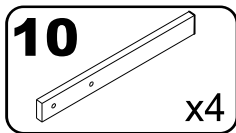
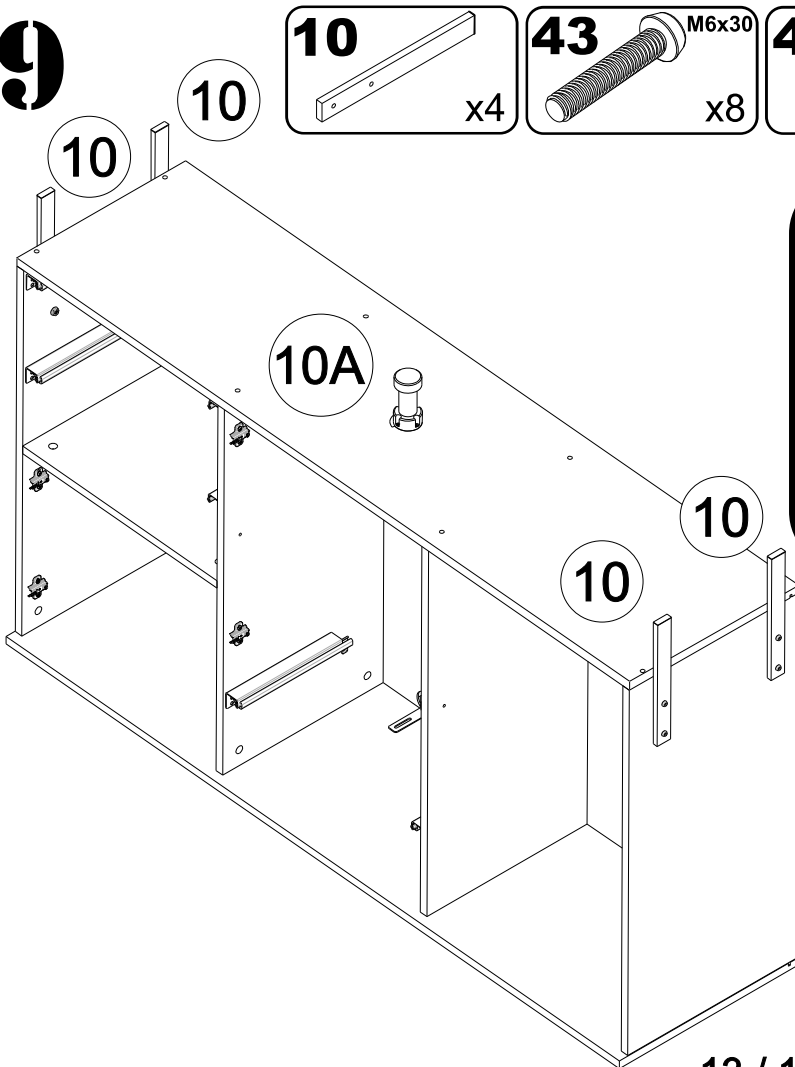
17



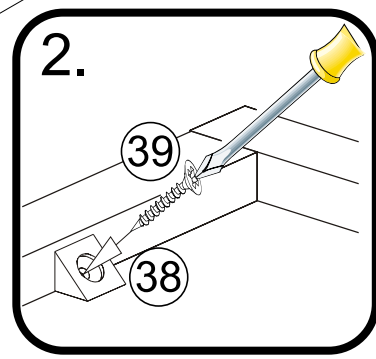
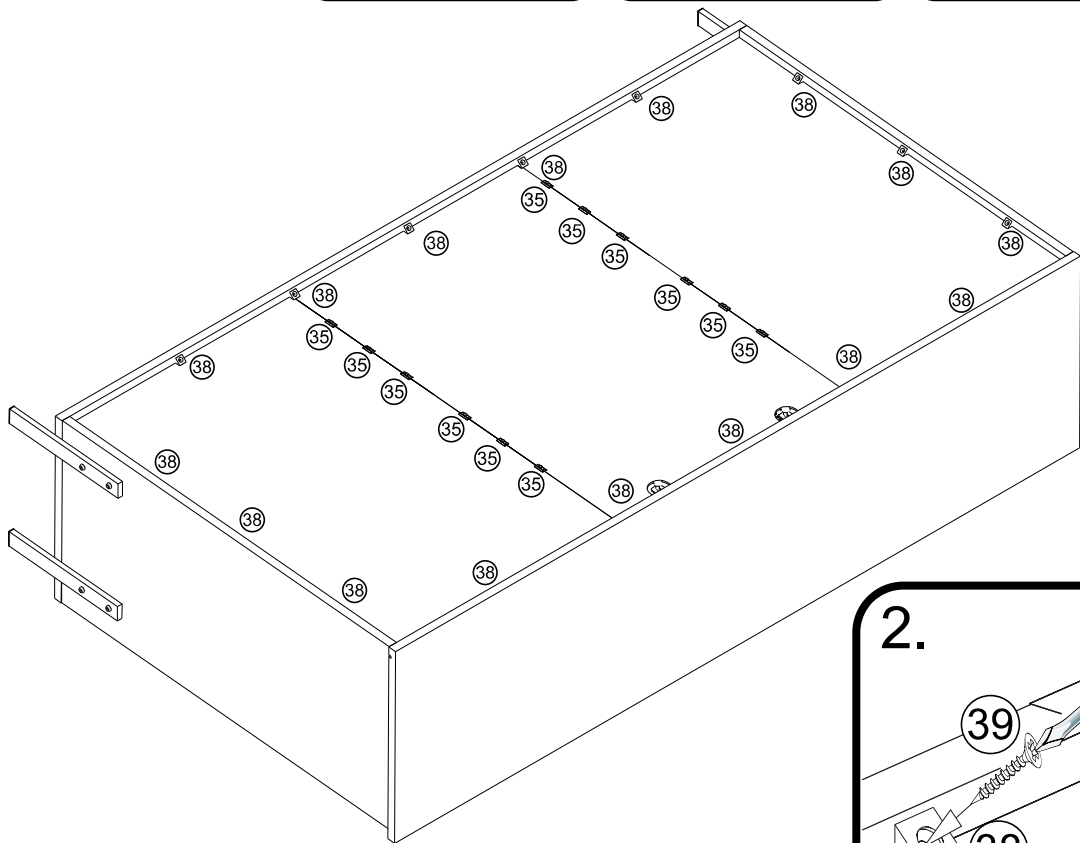
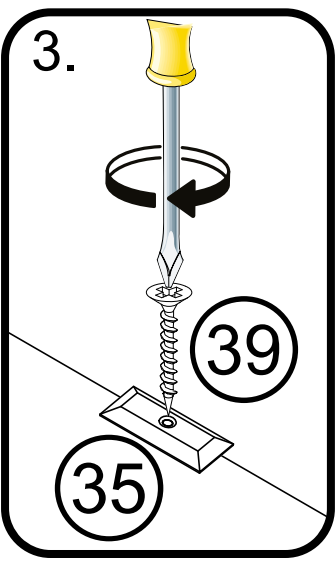
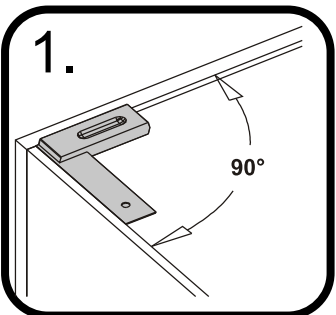
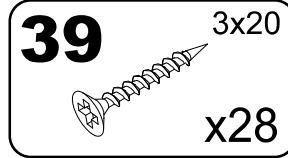
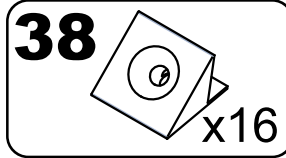
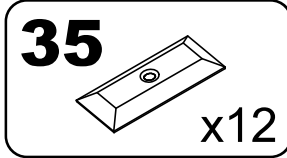
18



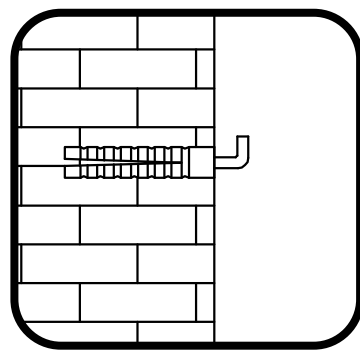
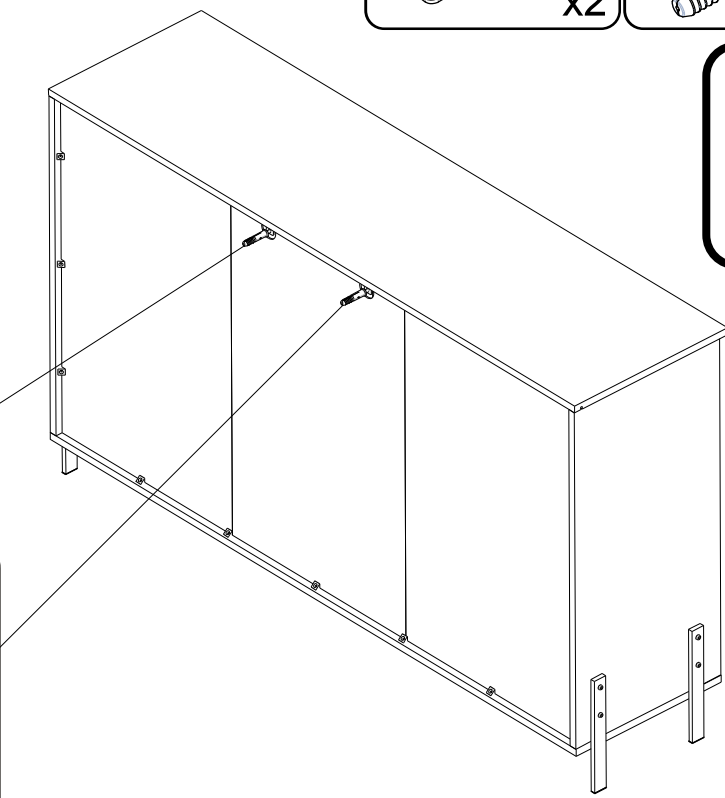
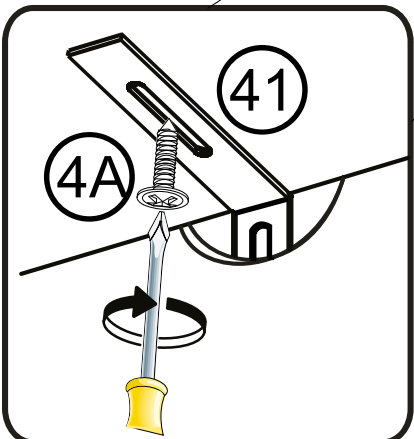
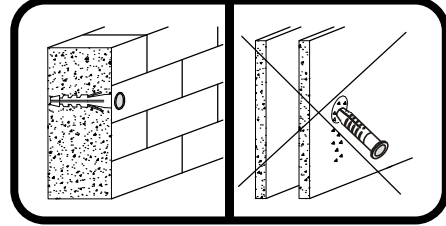
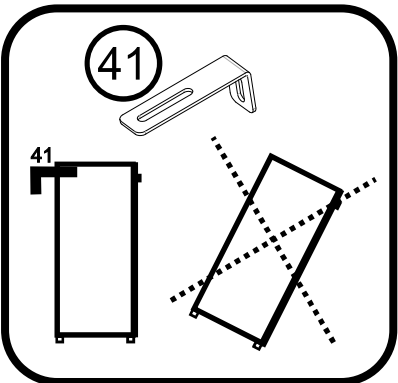
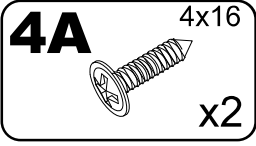
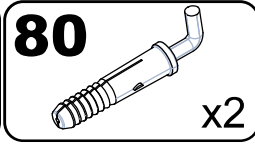
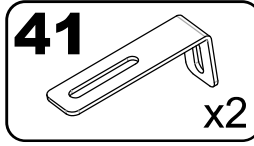
19



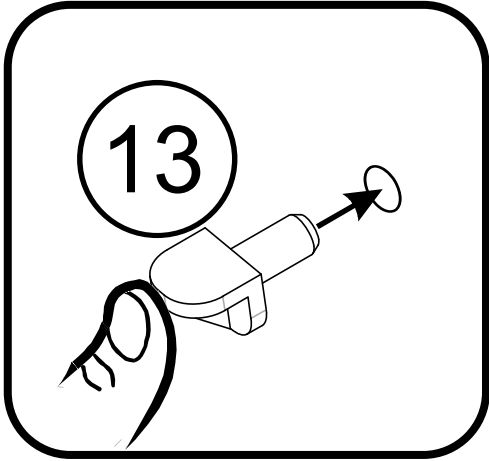
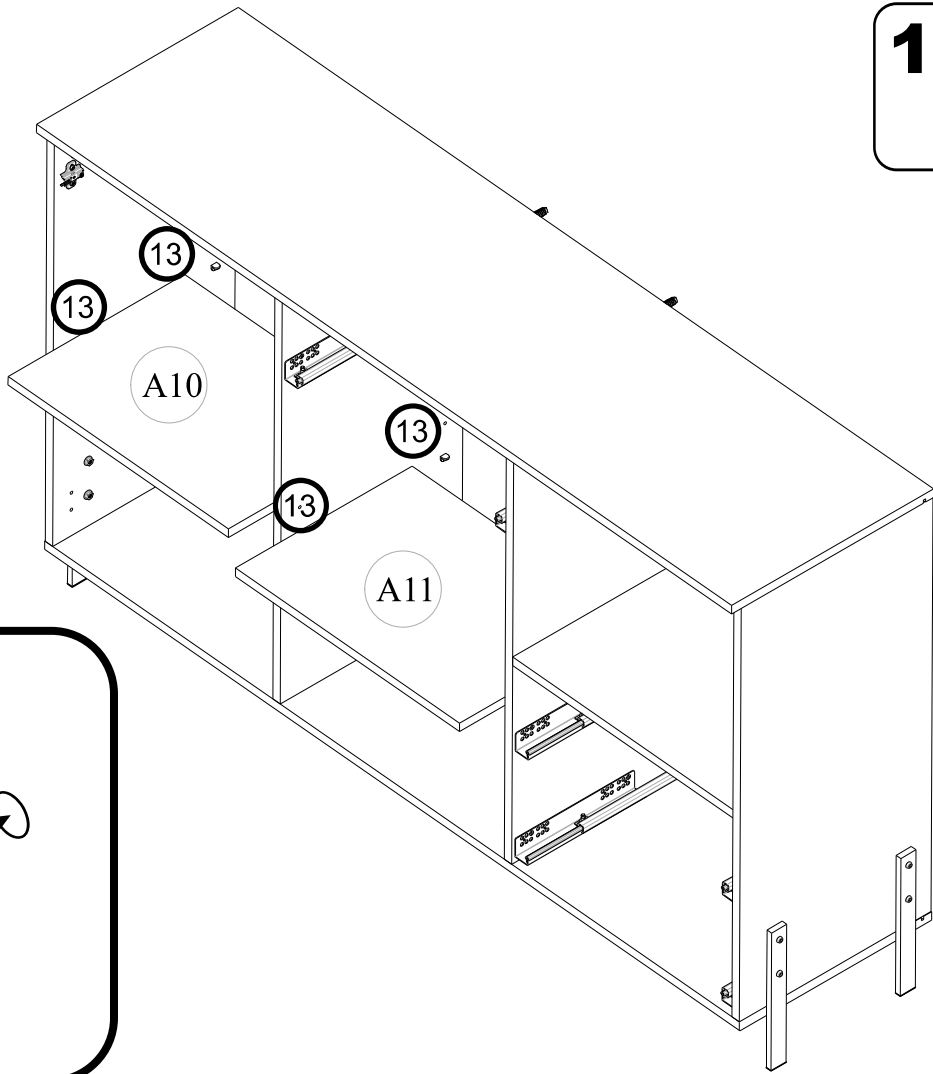
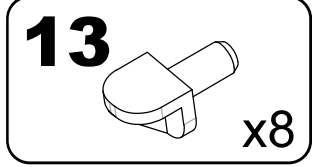
20



21



22



23

