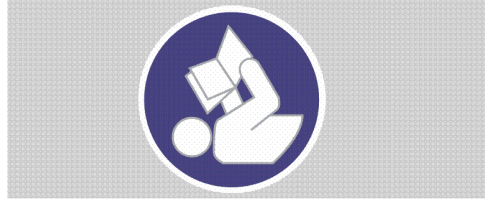
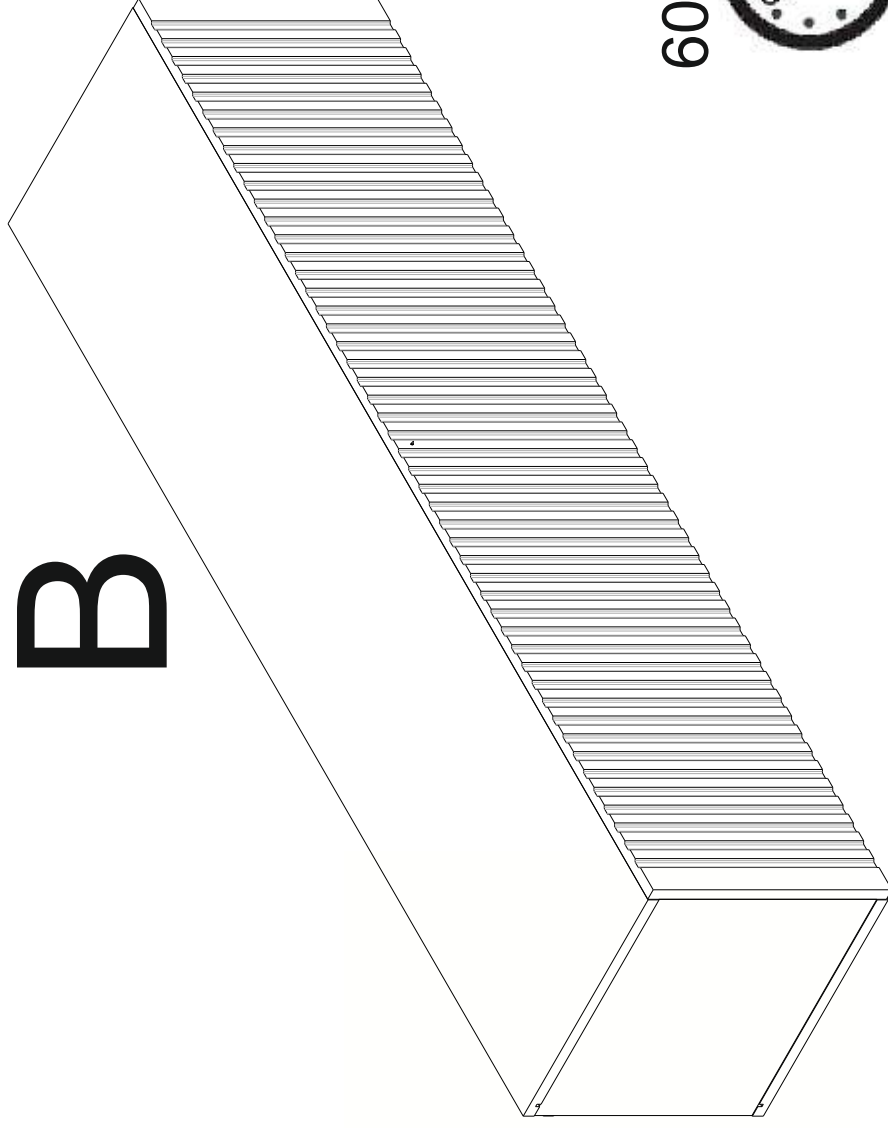
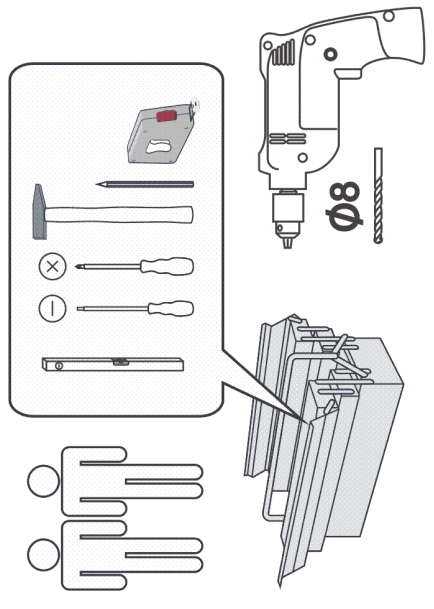
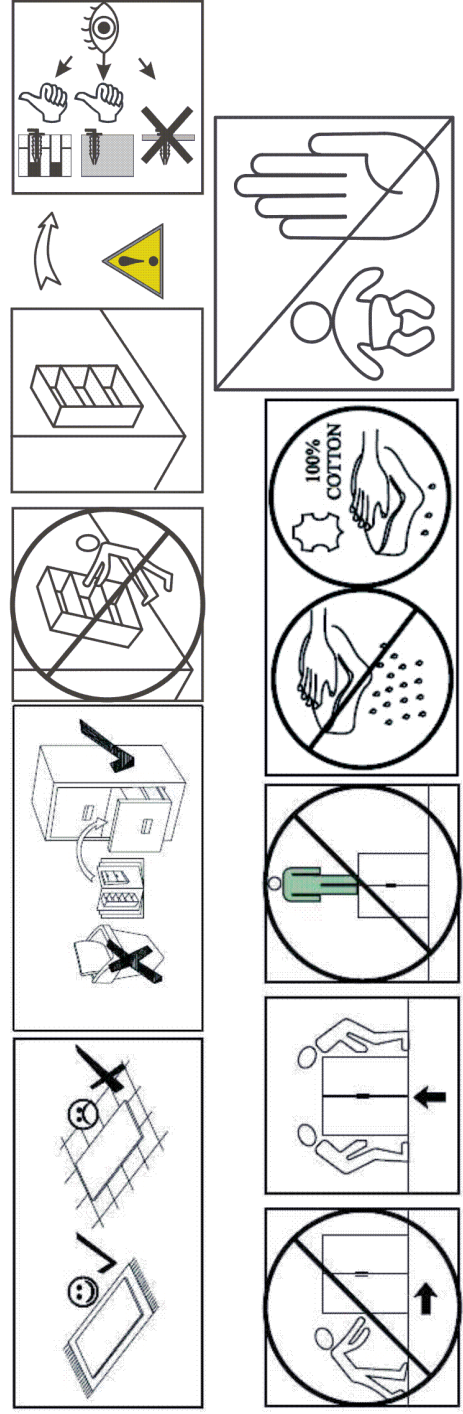
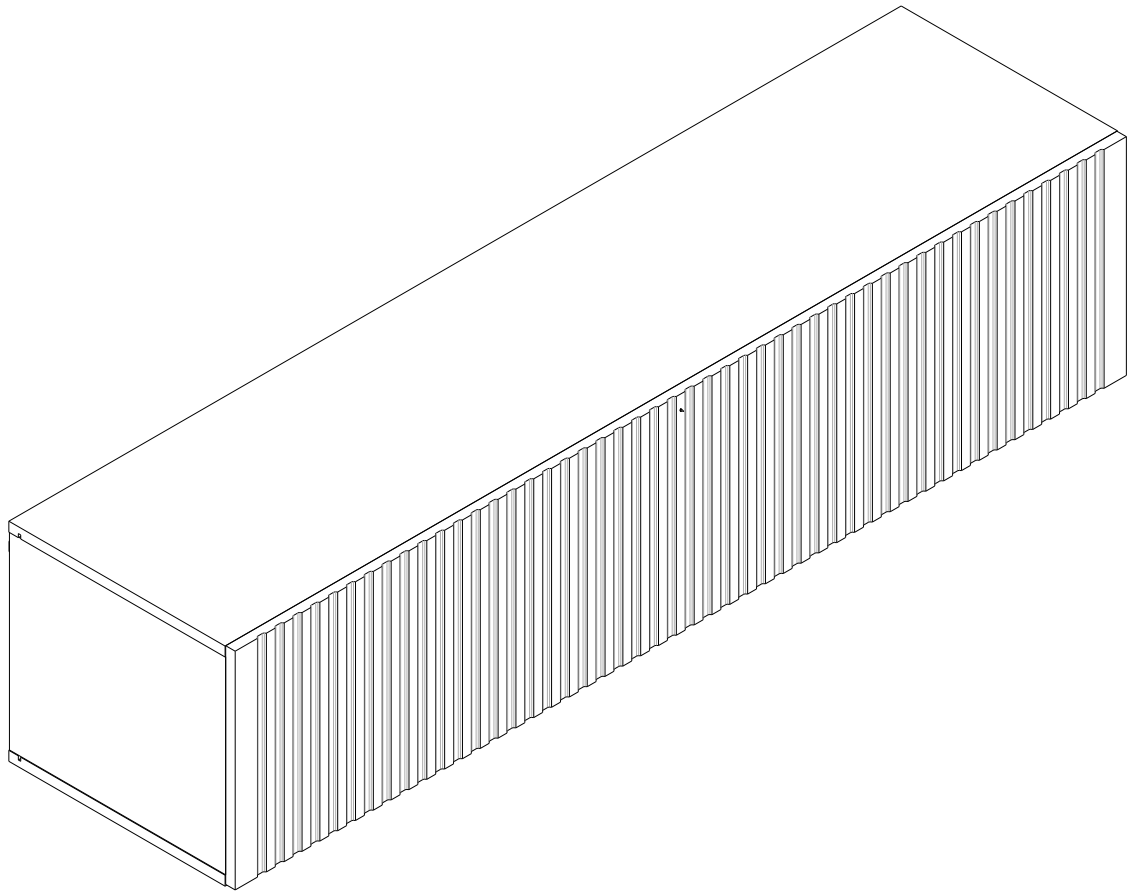
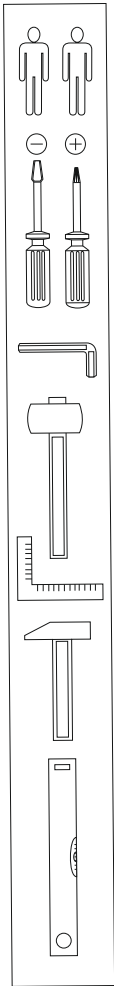


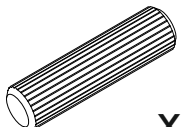
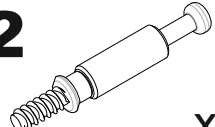
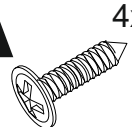
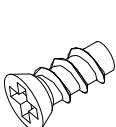


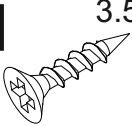
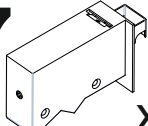
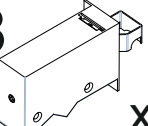
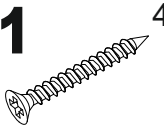
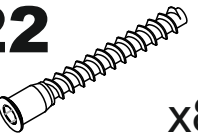

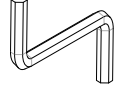

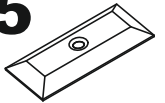
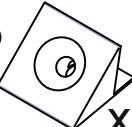

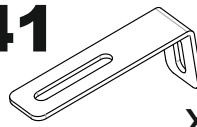
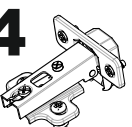
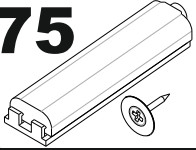
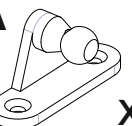
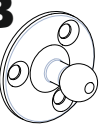

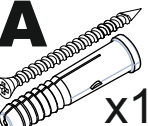
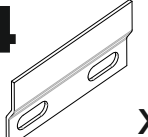
B



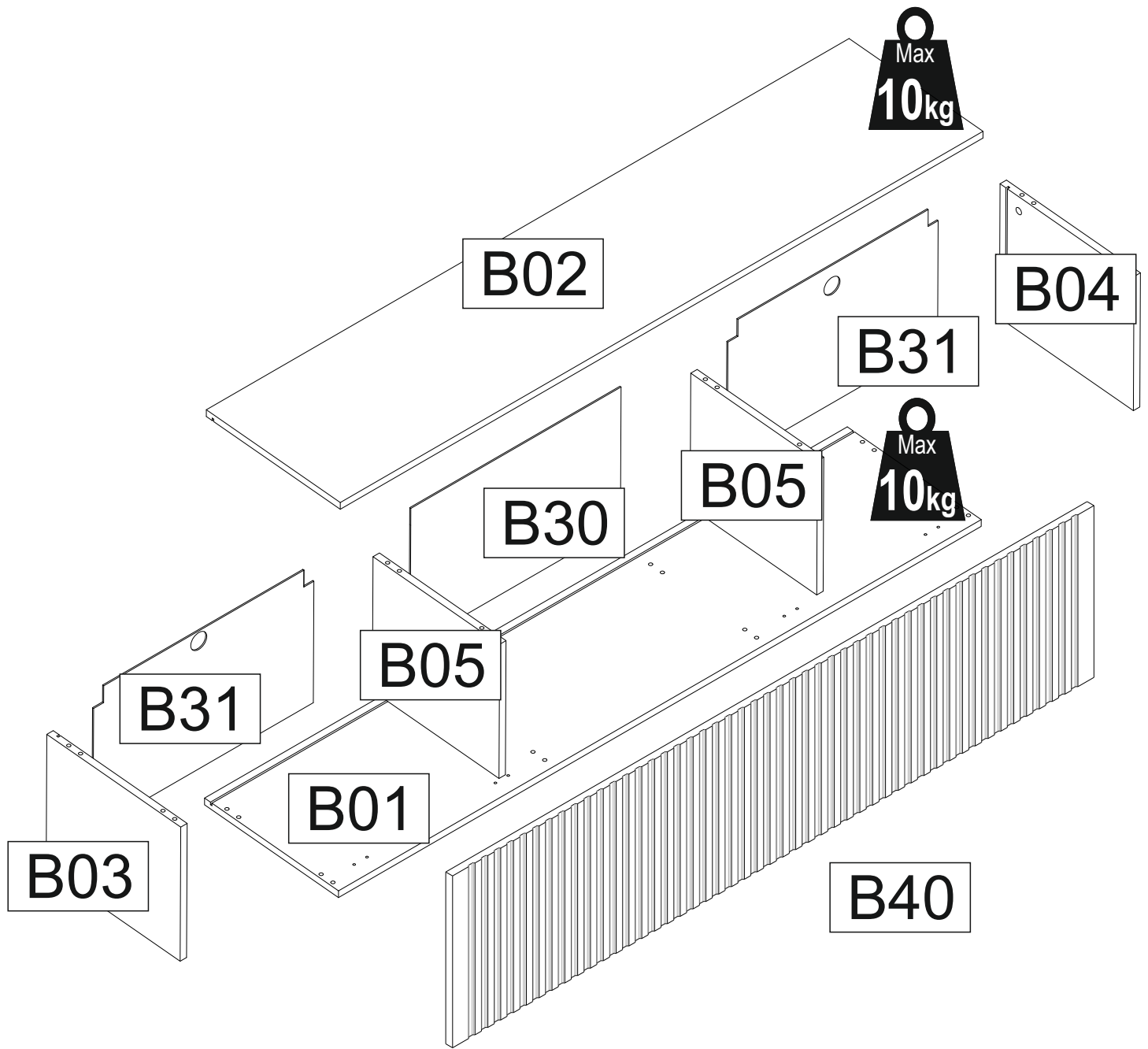
60 min



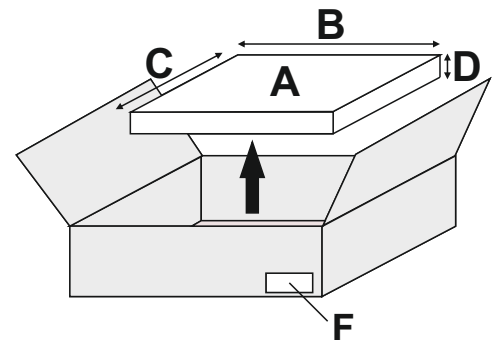
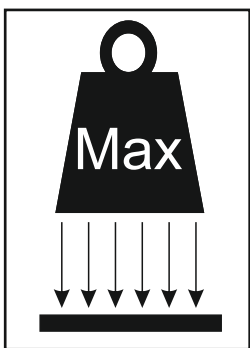


- | | | | | |
|---|--|--|---|--|
| 1

x16 | 2

x8 | 4A

4x16
x2 | 6

5x11
x8 | 9

ø15
x8 |
| 9A

x8 | 11

3.5x13
x2 | 17

x2 | 18

x2 | 21

4x30
x8 |
| 22

x8 | 22A

x8 | 26

x1 | 32

x1 | 35

x6 |
| 38

x14 | 39

3x20
x20 | 41

x2 | 54

ø35
x4 | 75

x1 |
| 76A

x2 | 76B

x2 | 76C

x2 | 80A

x10 | 94

x4 |

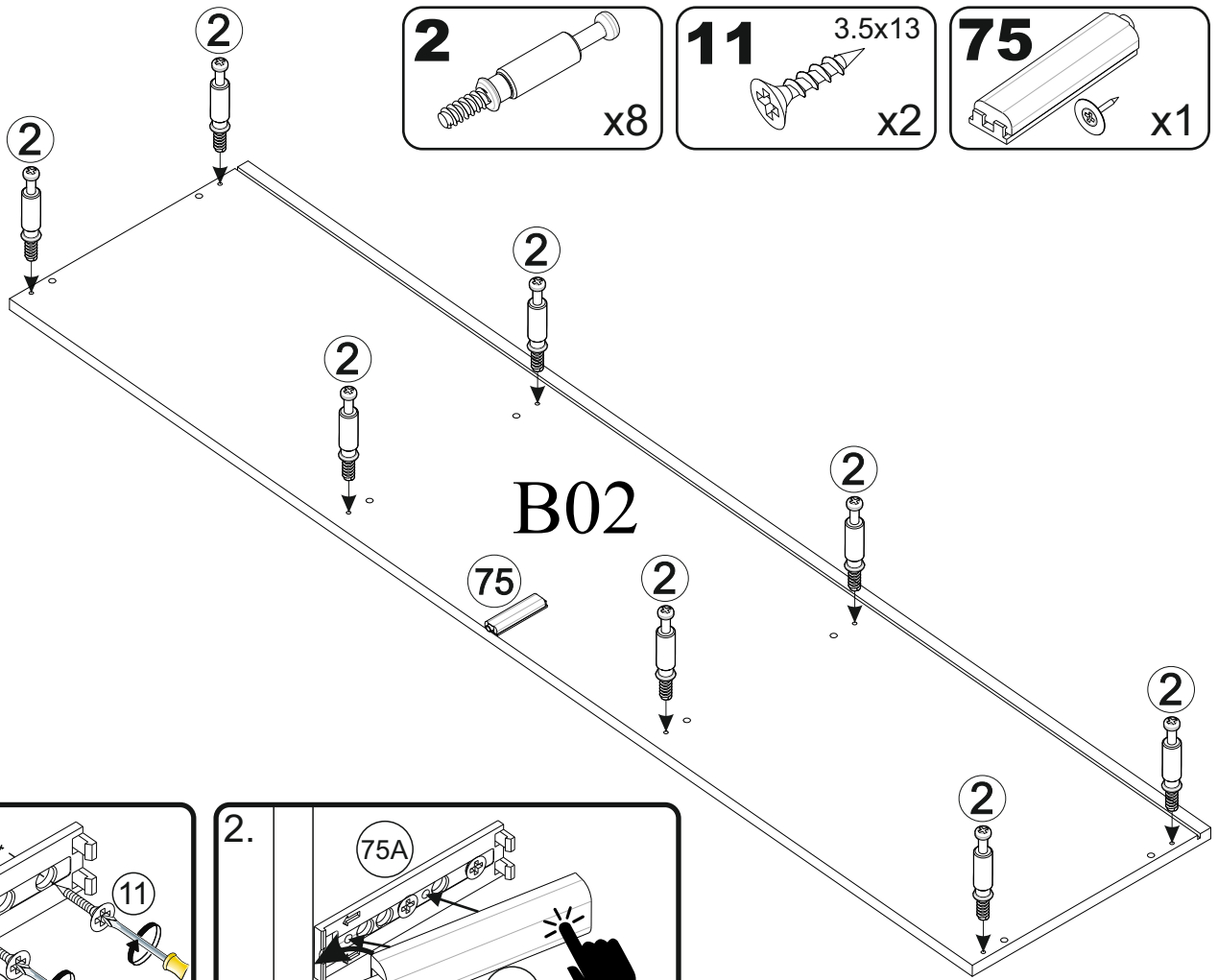
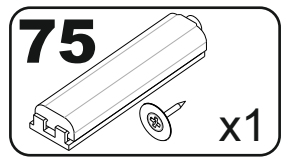
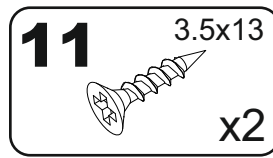
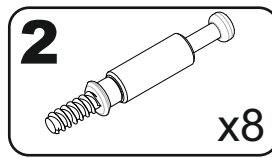
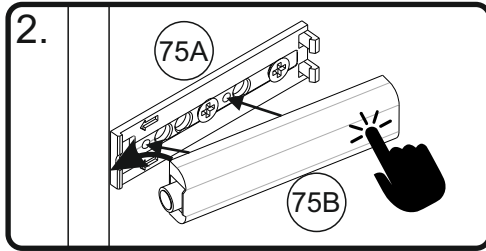
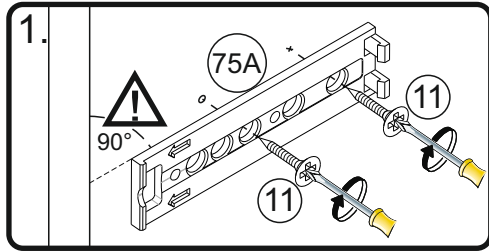
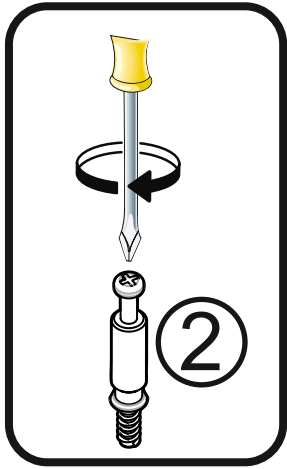




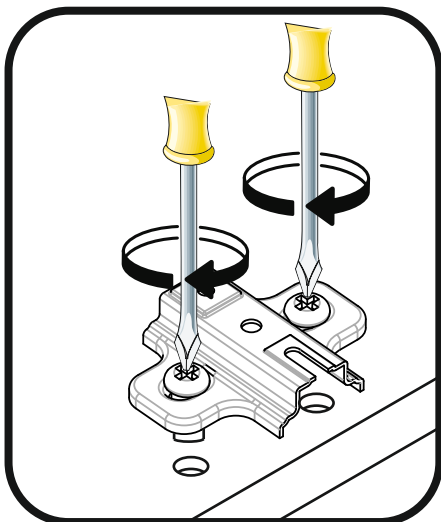
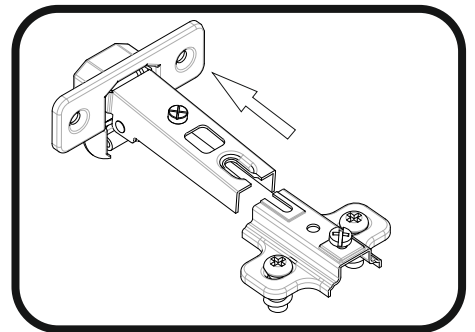
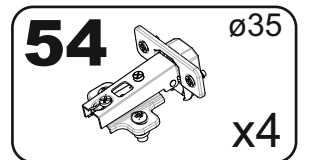
A	B_(mm)	C_(mm)	D_(mm)	E	F
B01	1502	364	16	1	1 1
B02	1502	364	16	1	1 1
B03	318	364	16	1	1 1
B04	318	364	16	1	1 1
B05	318	344	16	2	1 1
B30	491	328	3	1	1 1
B31	491	328	3	2	1 1
B40	1500	348	16	1	1 1



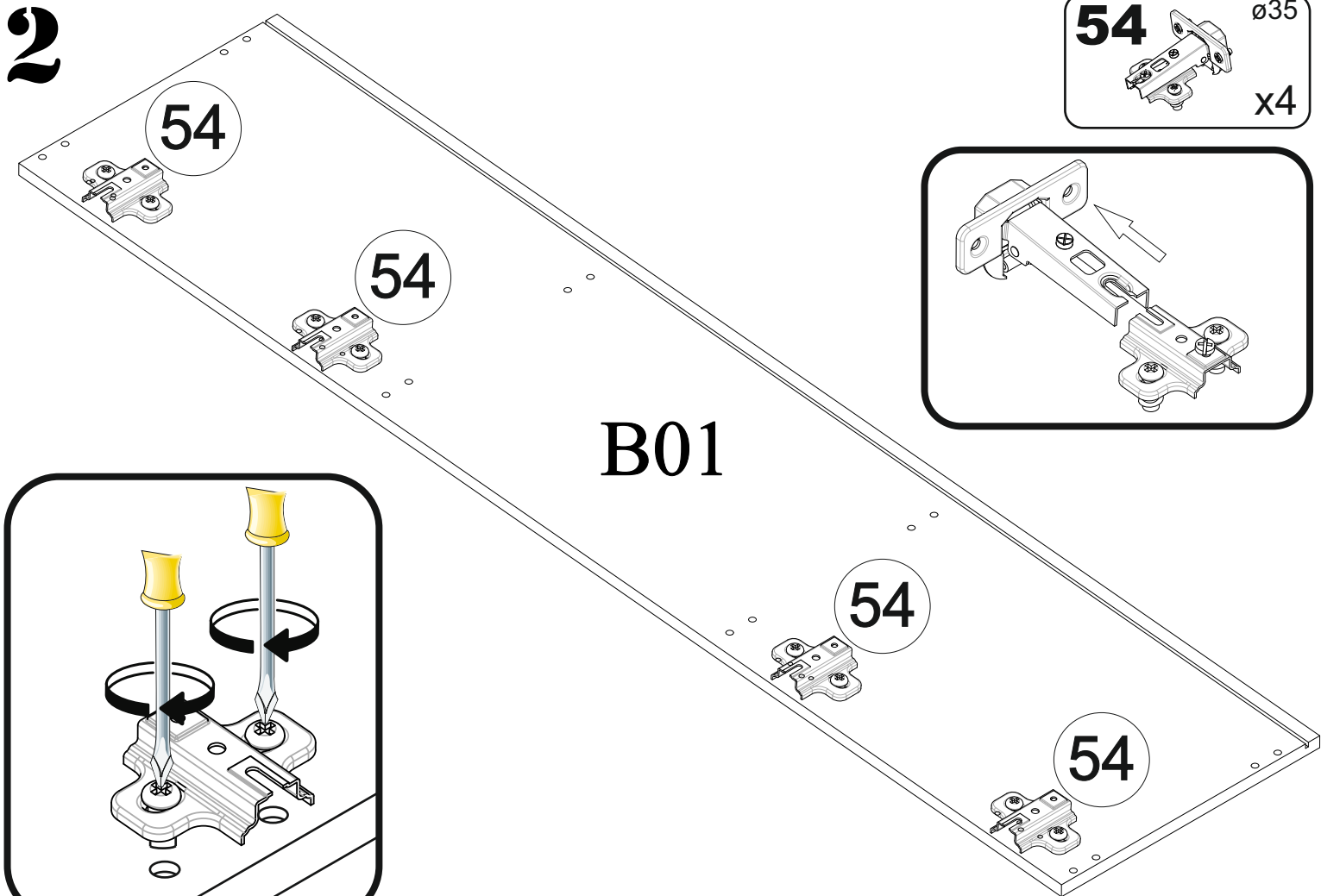
1



2

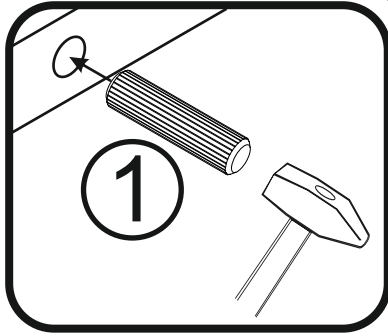
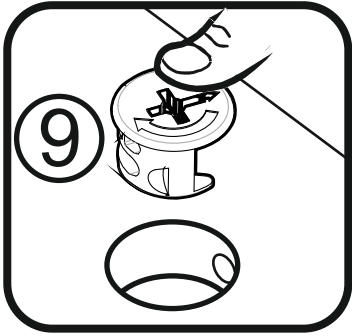
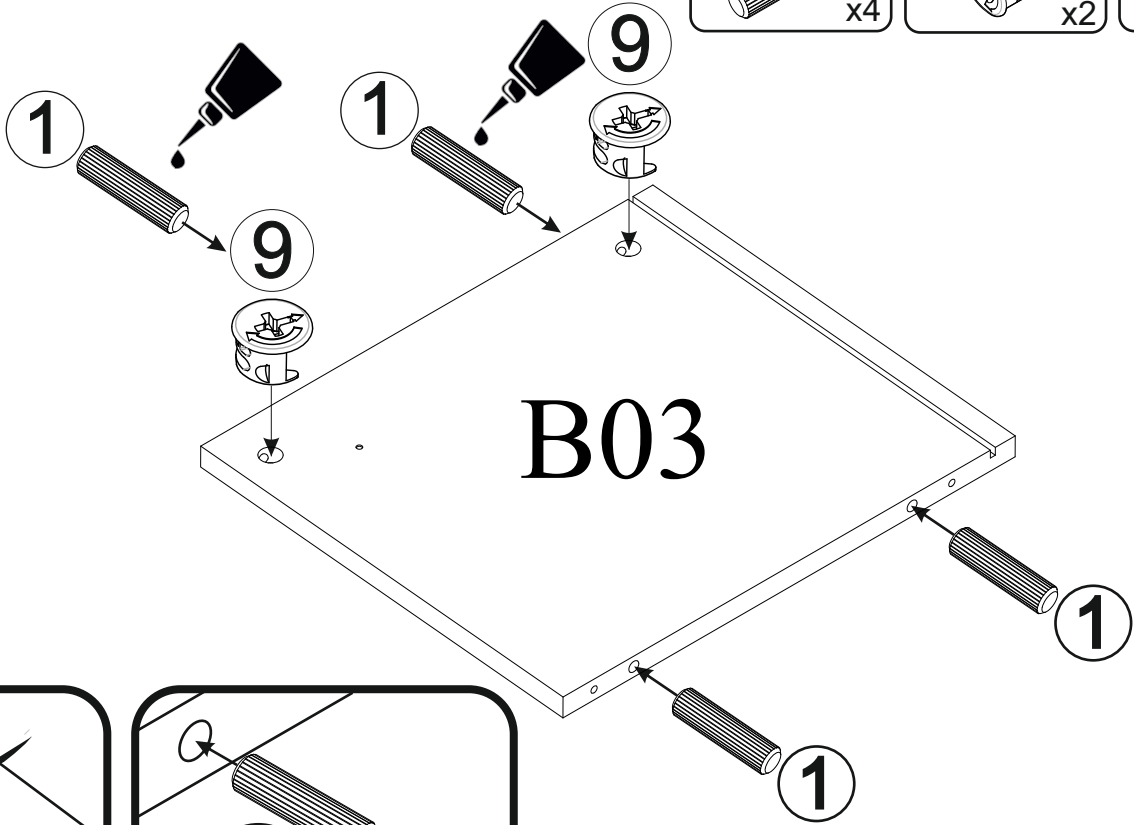


B01



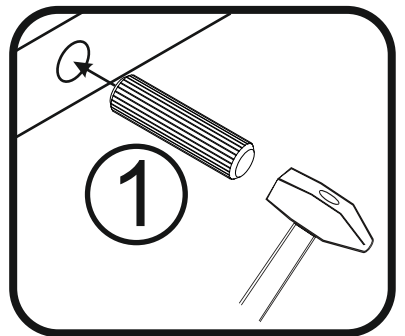
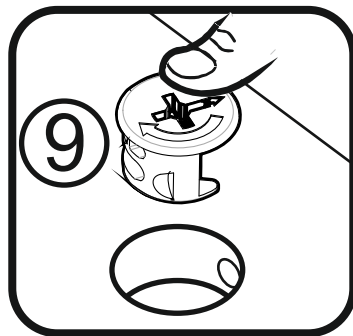
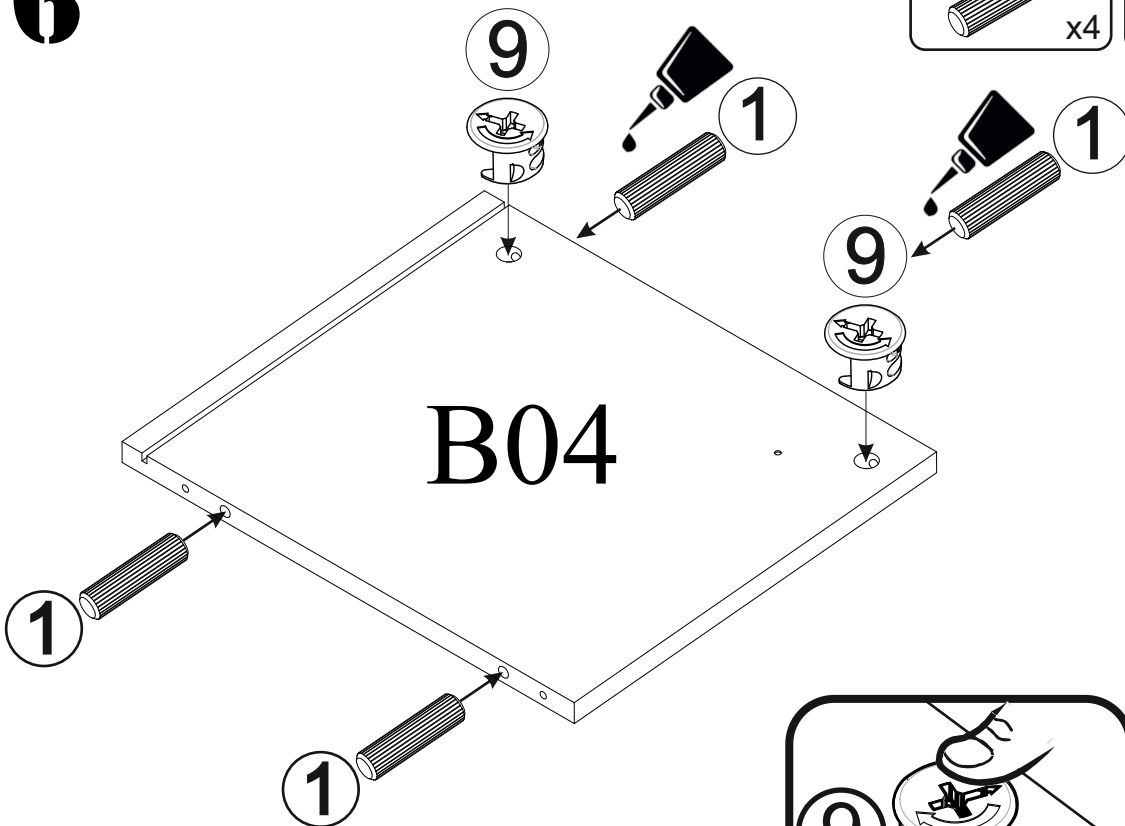
5

- 1 x4
- 9 $\varnothing 15$ x2
- 32 x1

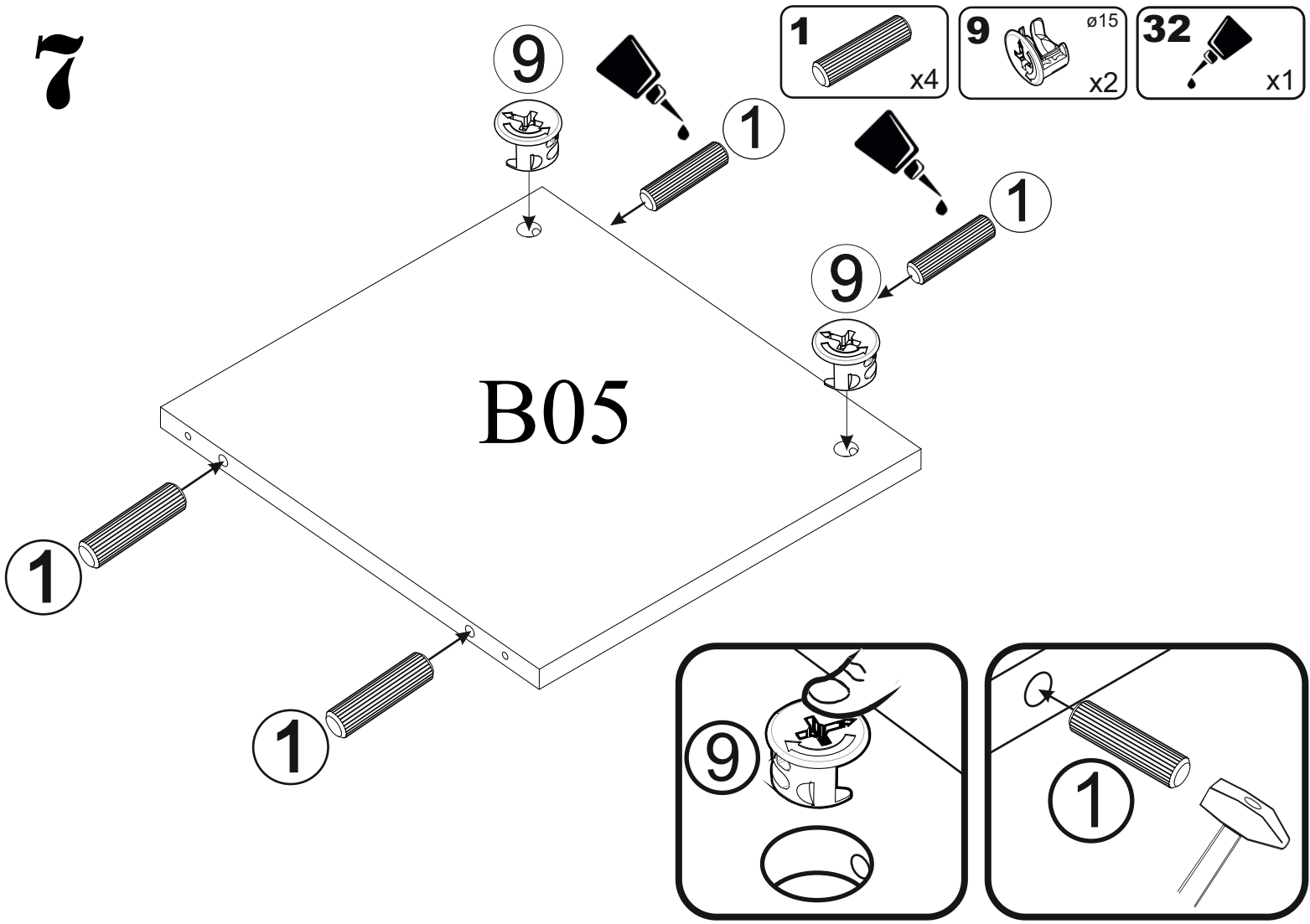


6

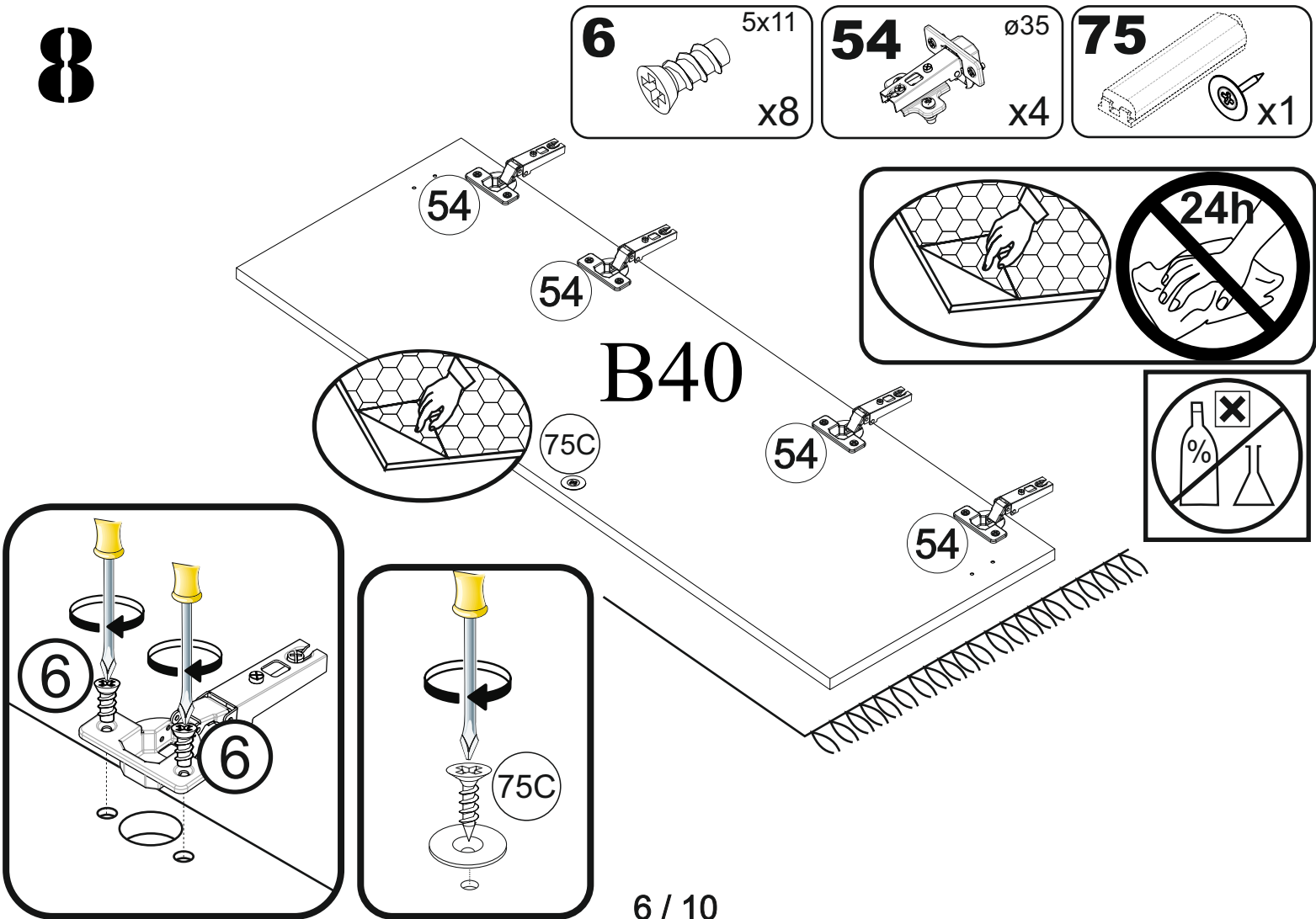
- 1 x4
- 9 $\varnothing 15$ x2
- 32 x1




7



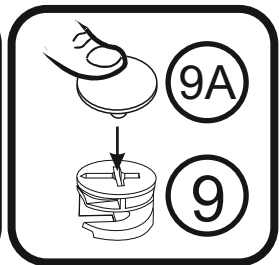
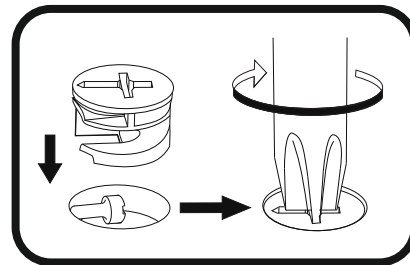
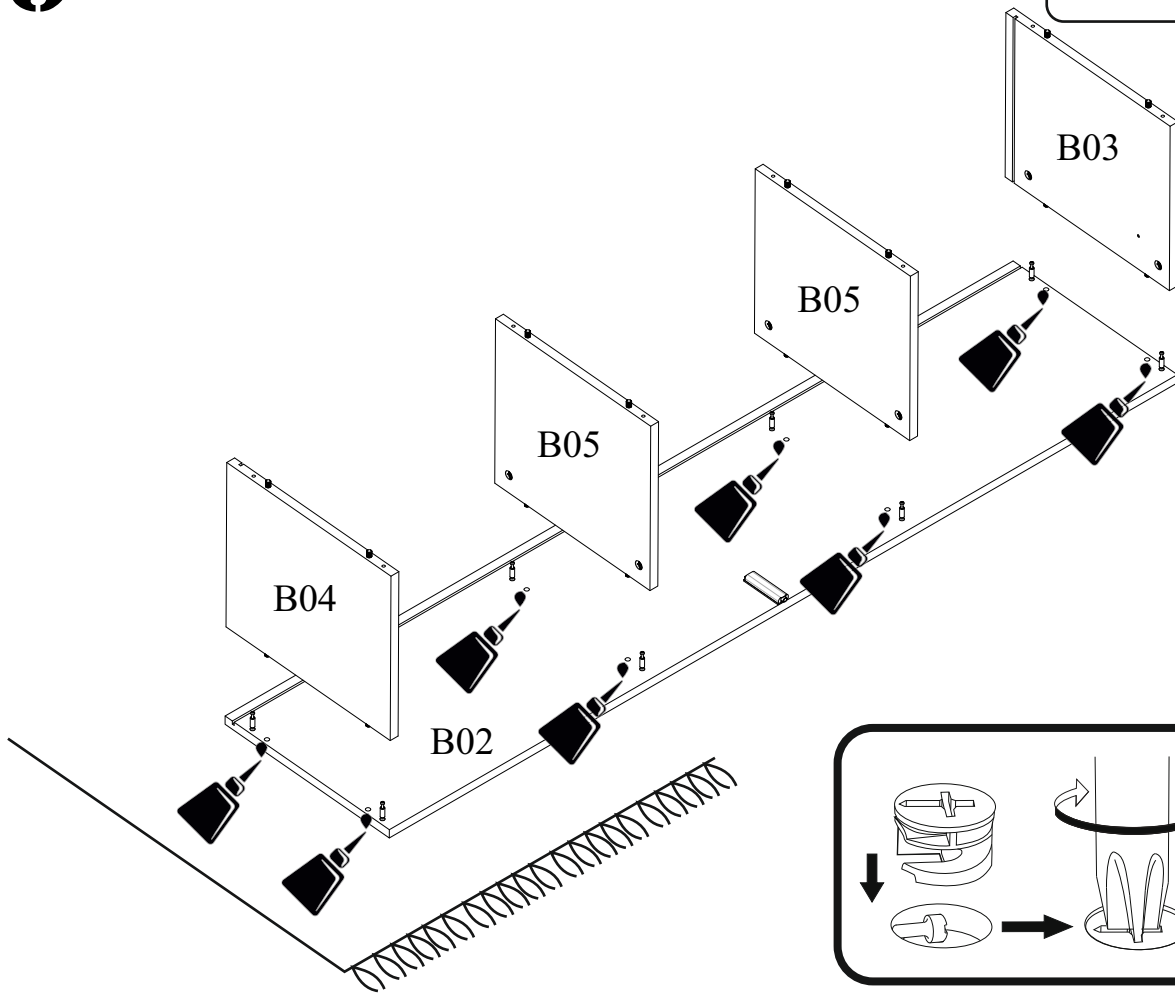
8



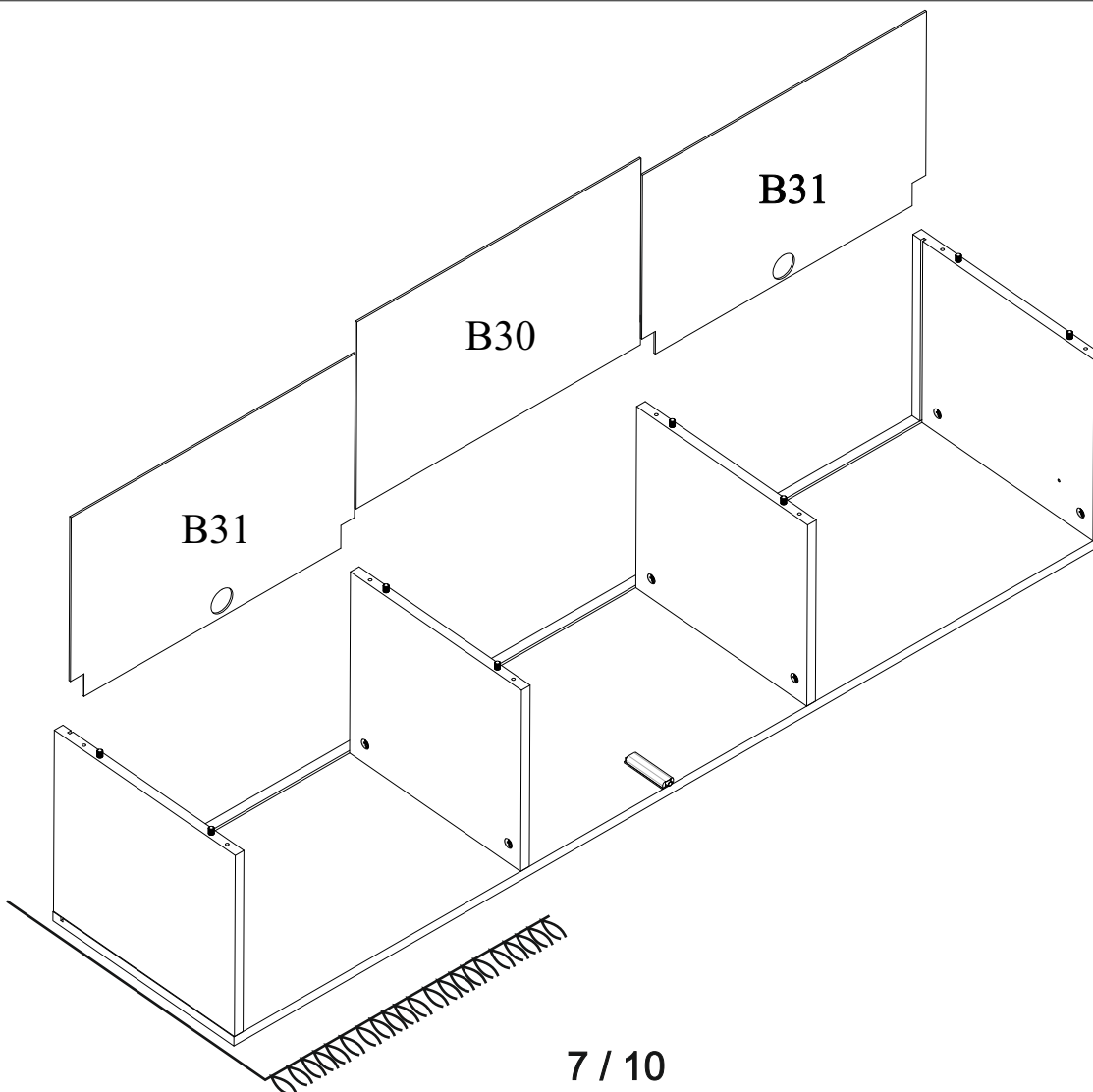
9

9A  x8

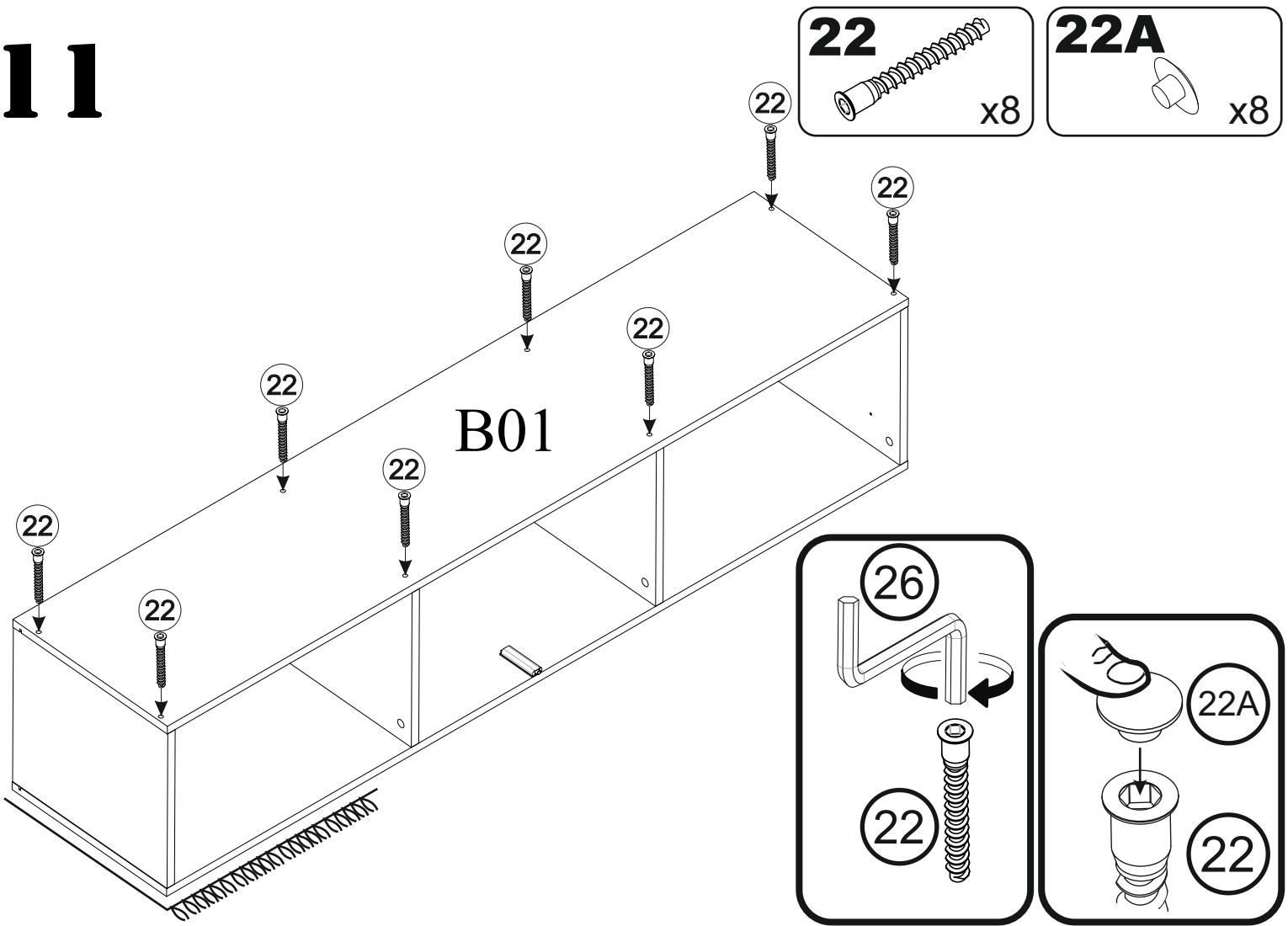
32  x1



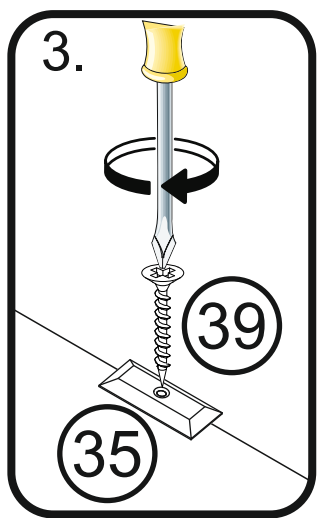
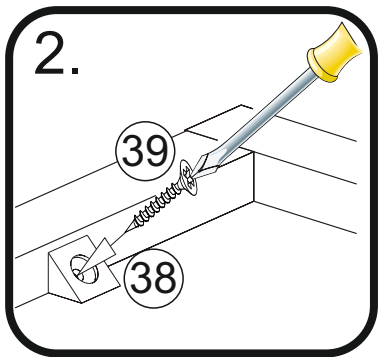
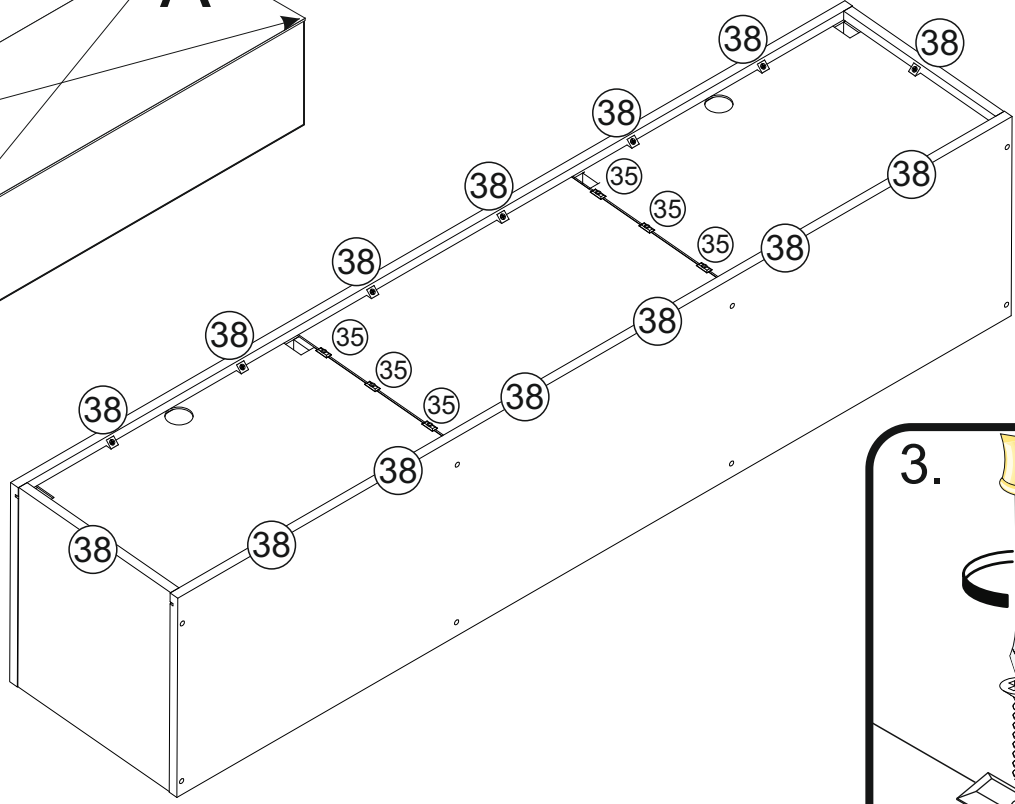
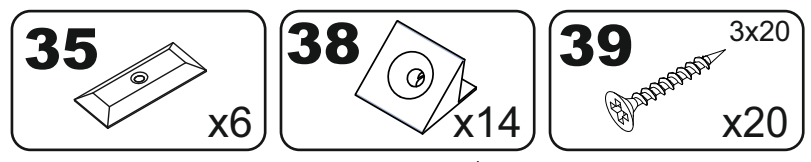
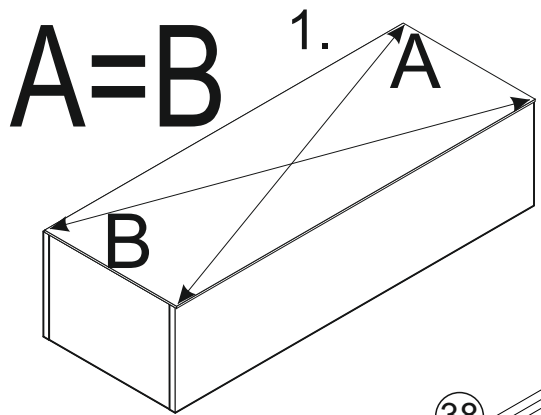
10



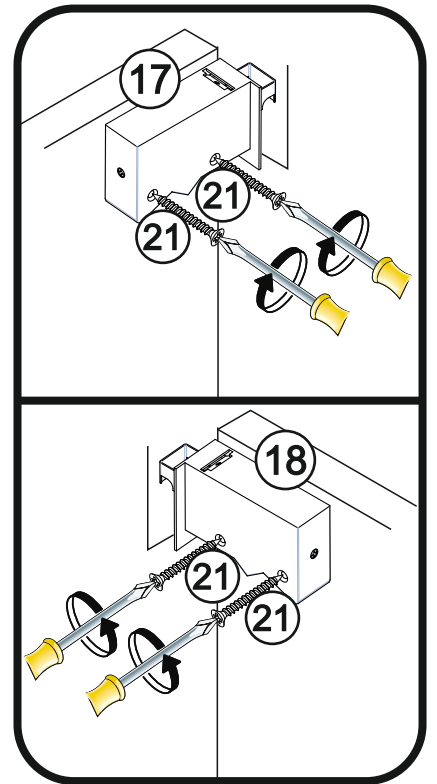
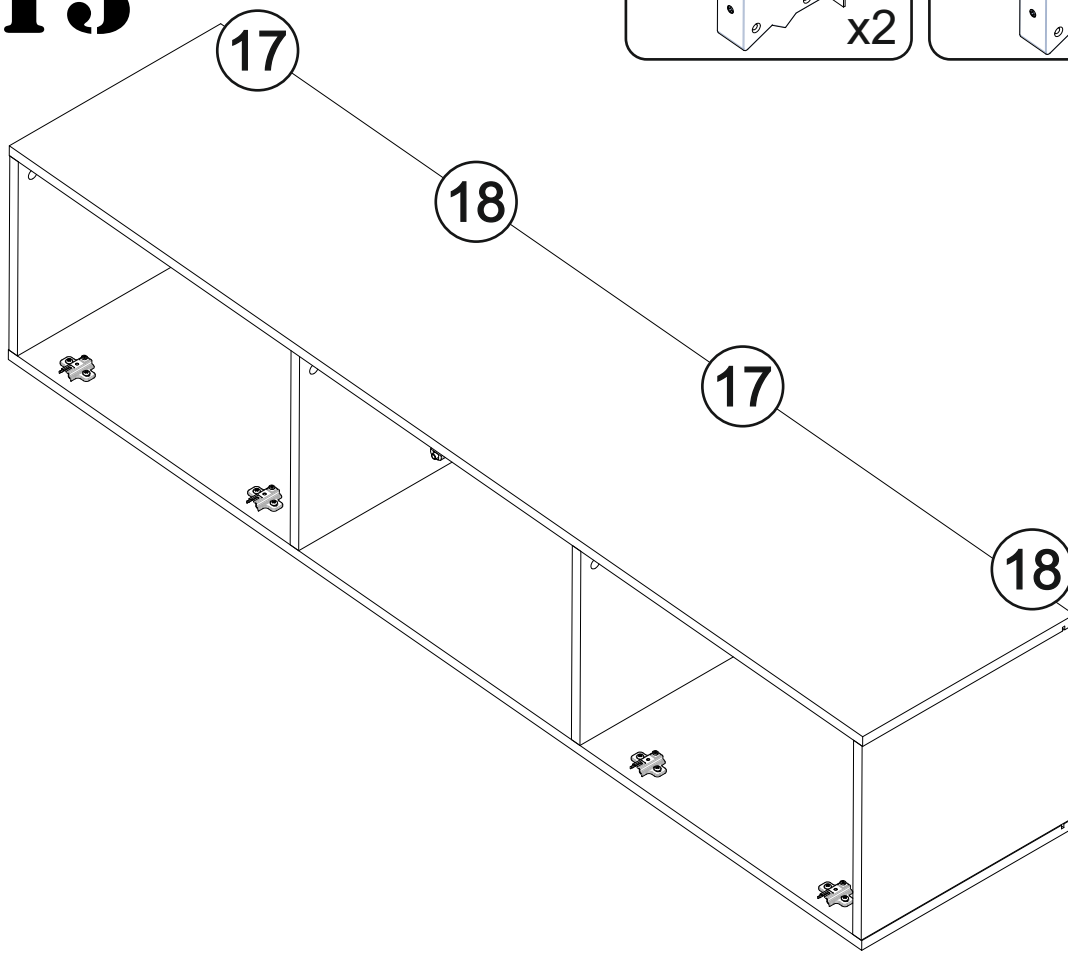
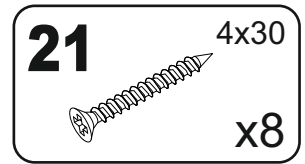
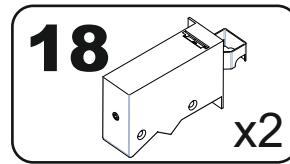
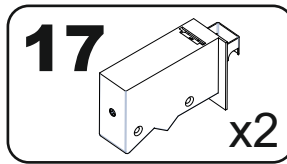
11



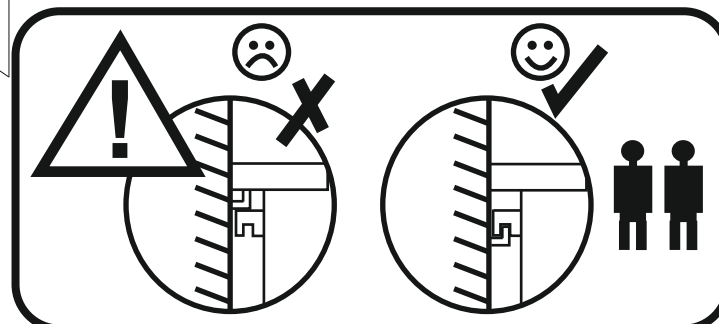
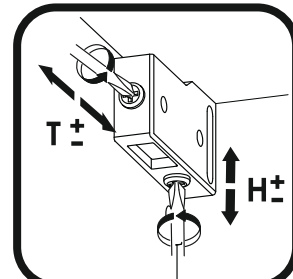
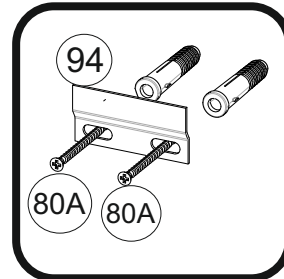
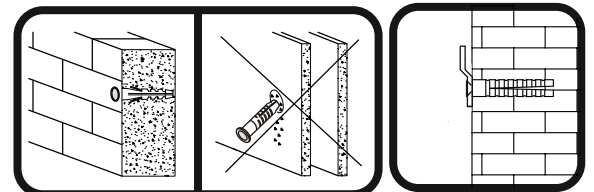
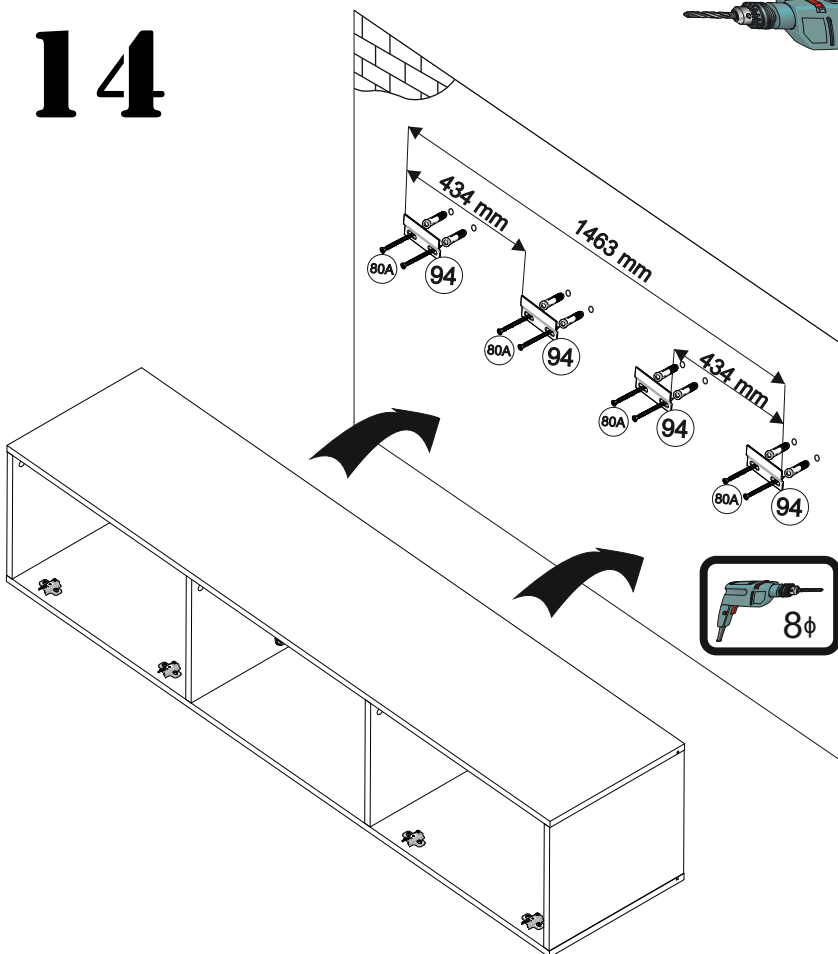
12



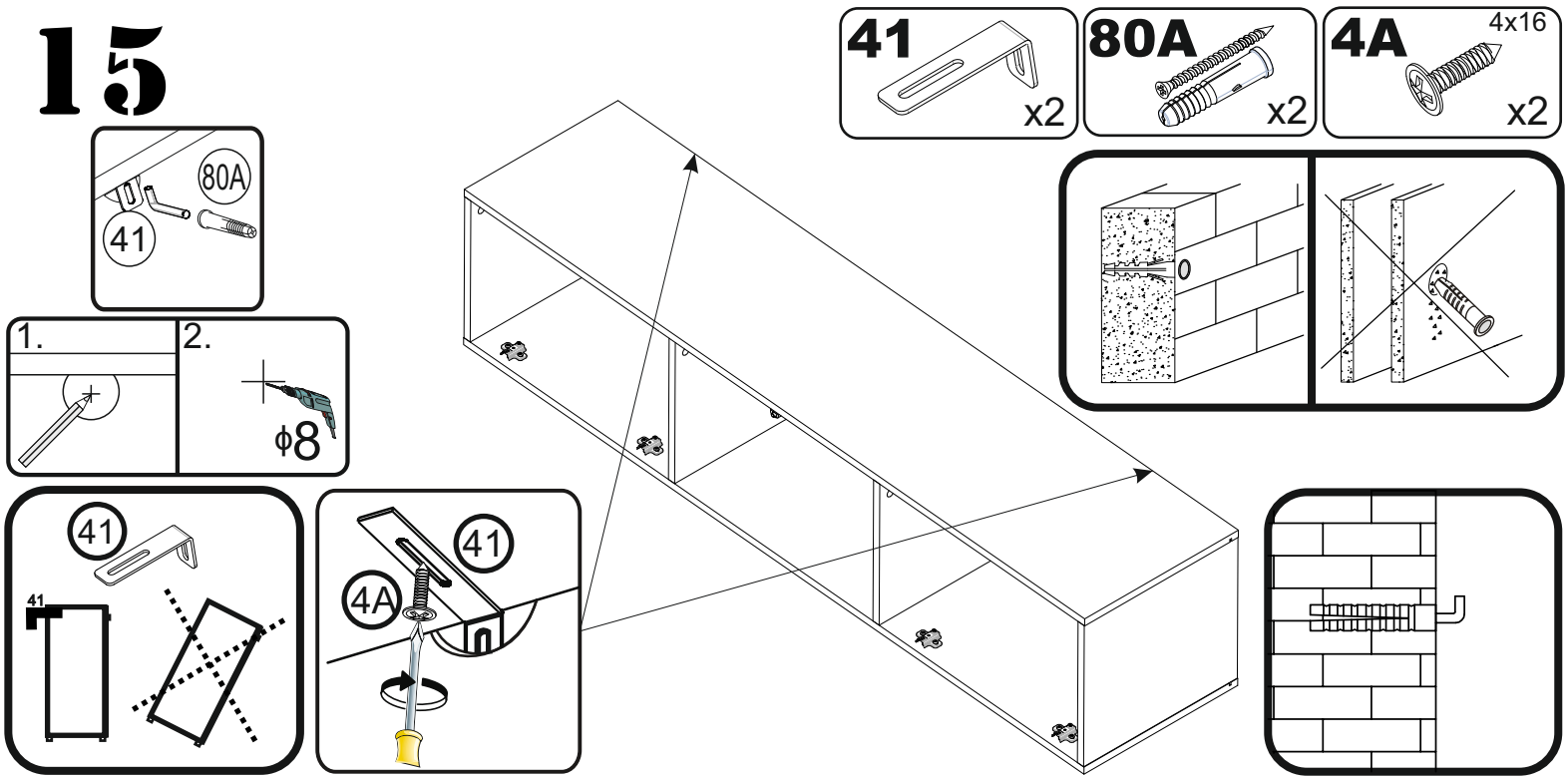
13



14



15



16

