

SLANT

SLANT 01

OP-283

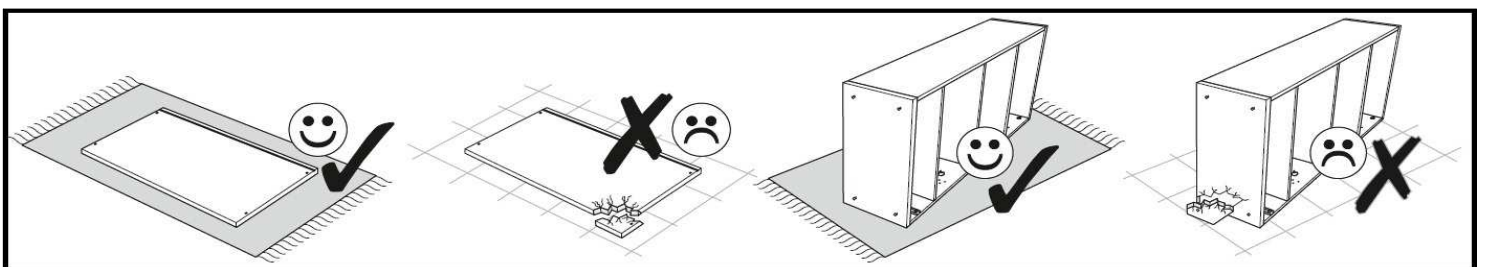
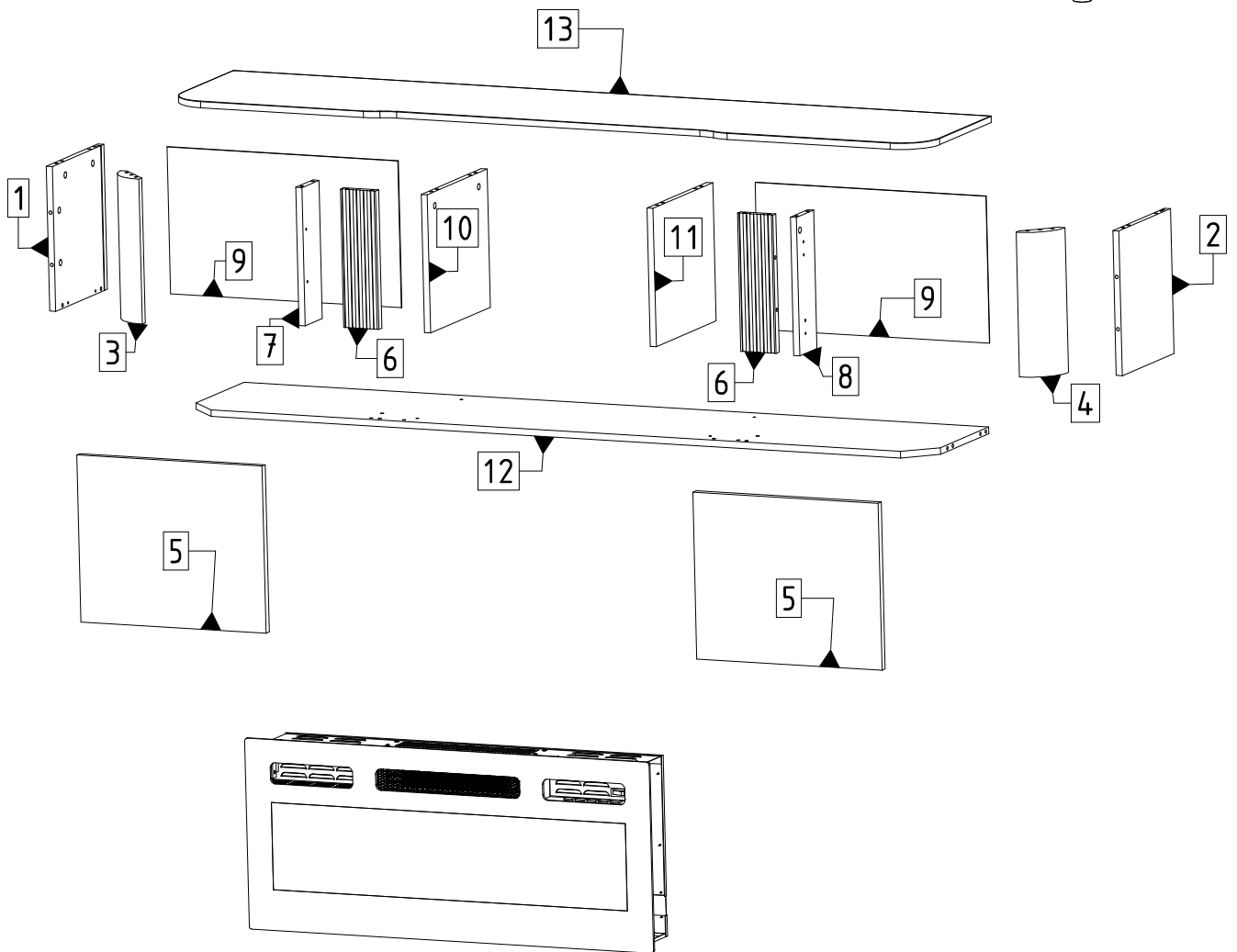
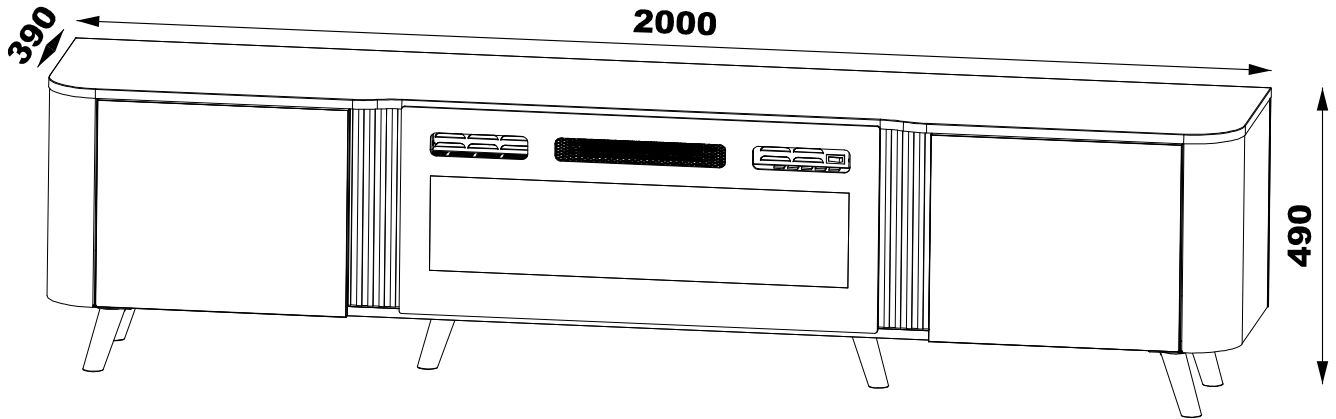
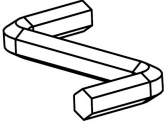
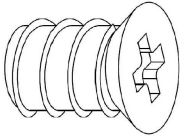
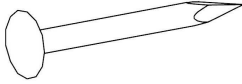
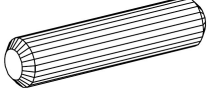



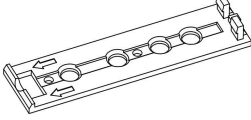
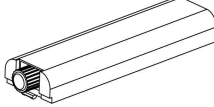
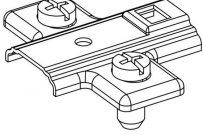
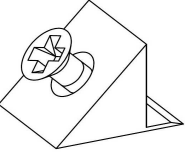
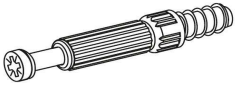
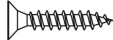
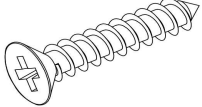
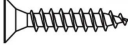
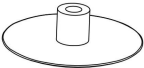
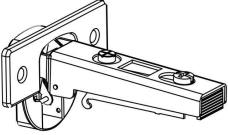
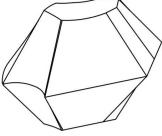
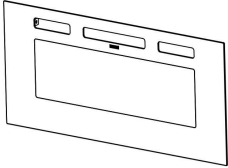
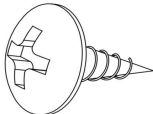
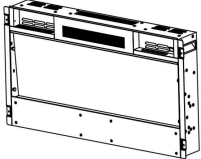
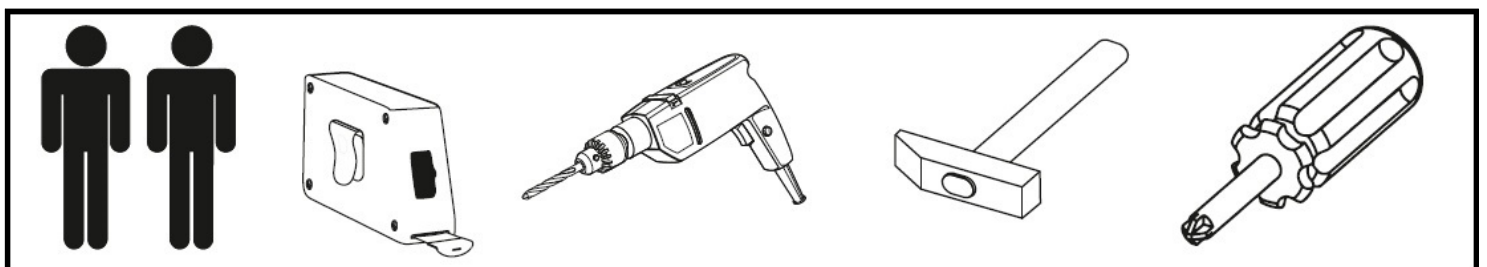


Table accessories

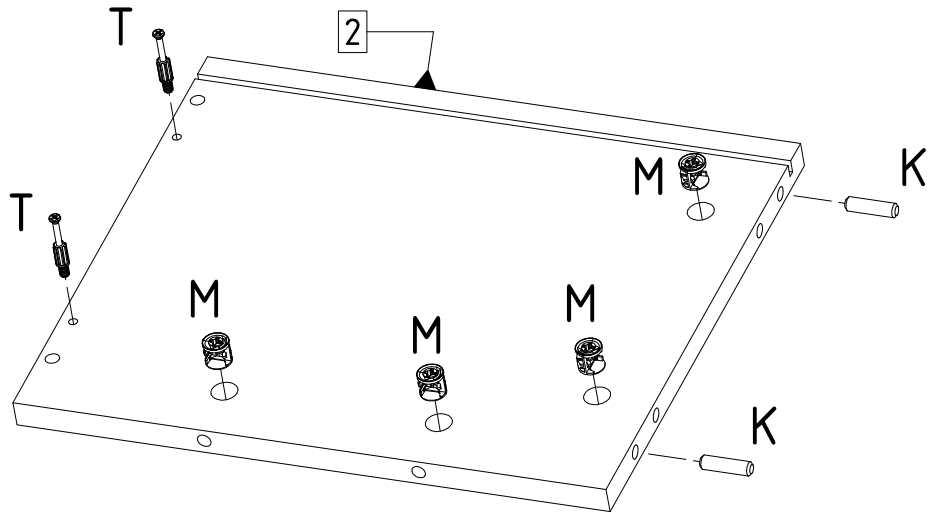
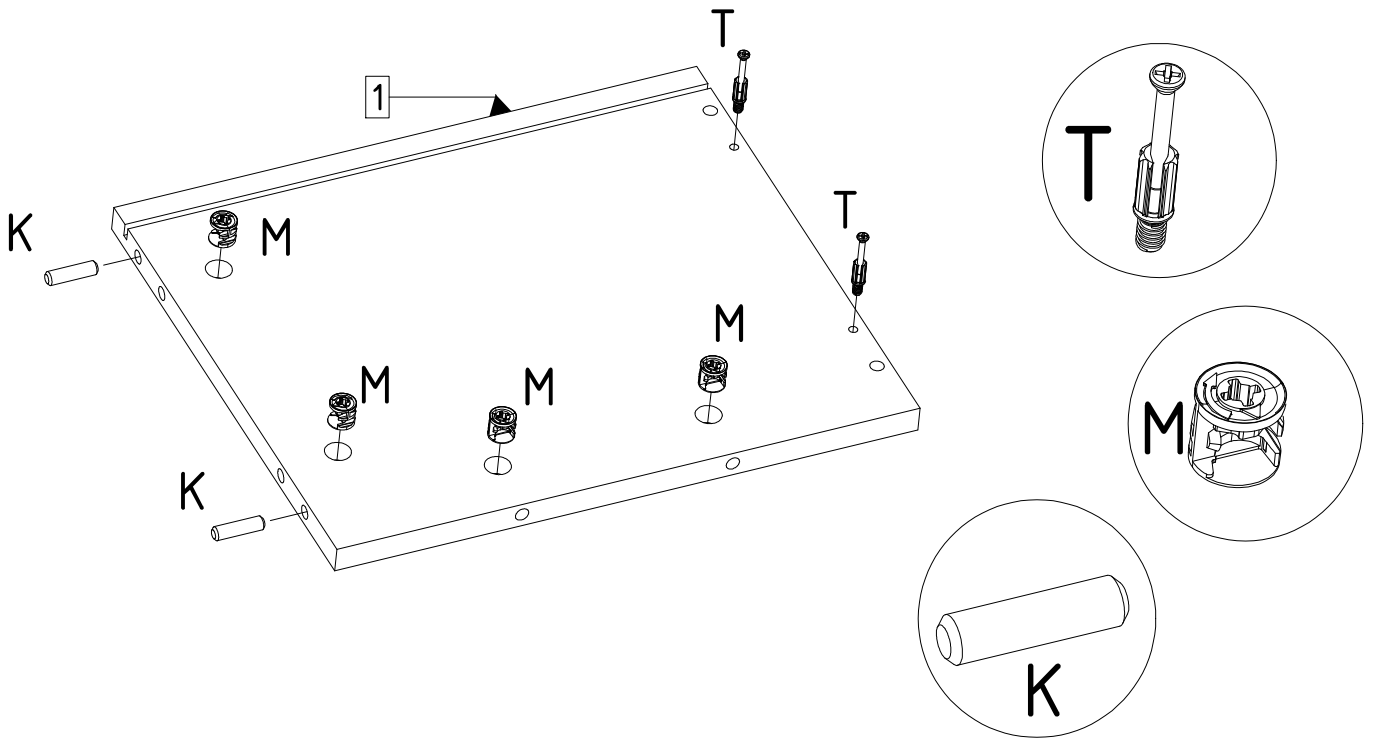
SLANT 01

 <p>A1</p>	<p>6x8mm</p>  <p>E3</p>	 <p>G</p>	<p>8 x 30</p>  <p>K</p>	 <p>KN</p>
<p>15 x 12</p>  <p>M</p>	 <p>N440</p>	 <p>OB</p>	 <p>OB2</p>	 <p>PE</p>
 <p>ST</p>	<p>6 x 34 mm</p>  <p>T</p>	<p>4 x 16</p>  <p>W16</p>	<p>4X20</p>  <p>W20</p>	<p>4 X 25mm</p>  <p>W4</p>
 <p>Z</p>	 <p>ZPH</p>			
 <p>KRD</p>	 <p>SK2</p>	 <p>WK</p>	 <p>WKL2</p>	

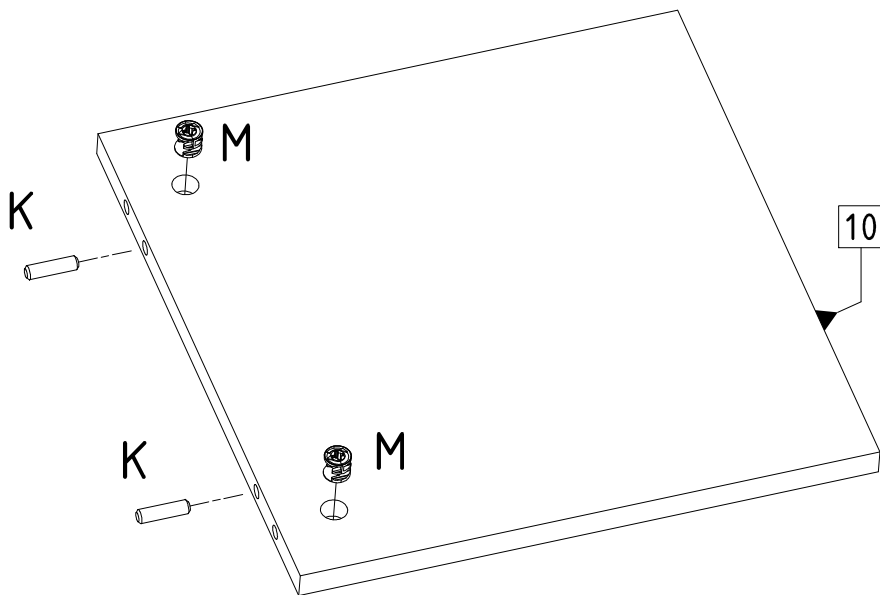
Elements				Accessories	
SYMBOL	LENGTH	WIDTH	QUANTITY	SYMBOL	QUANTITY
BL (1)	300	354	1	A1	1
BP (2)	300	354	1	E3	4
CW1 (3)	354	125	1	G	16
CW2 (4)	354	125	1	K	30
FT (5)	419	350	2	KN	4
LB (6)	338	93	2	KRD	62
LC1 (7)	338	100	1	M	24
LC2 (8)	338	100	1	N440	6
PC (9)	359	609	2	OB	2
PPI01 (10)	348	338	1	OB2	2
PPI02 (11)	348	338	1	PE	4
WD (12)	353	1965	1	SK2	1
WG (13)	2000	390	1	ST	12
				T	24
				W16	8
				W20	24
				W4	4
				WK	6
				WKL2	1
				Z	24
				ZPH	4

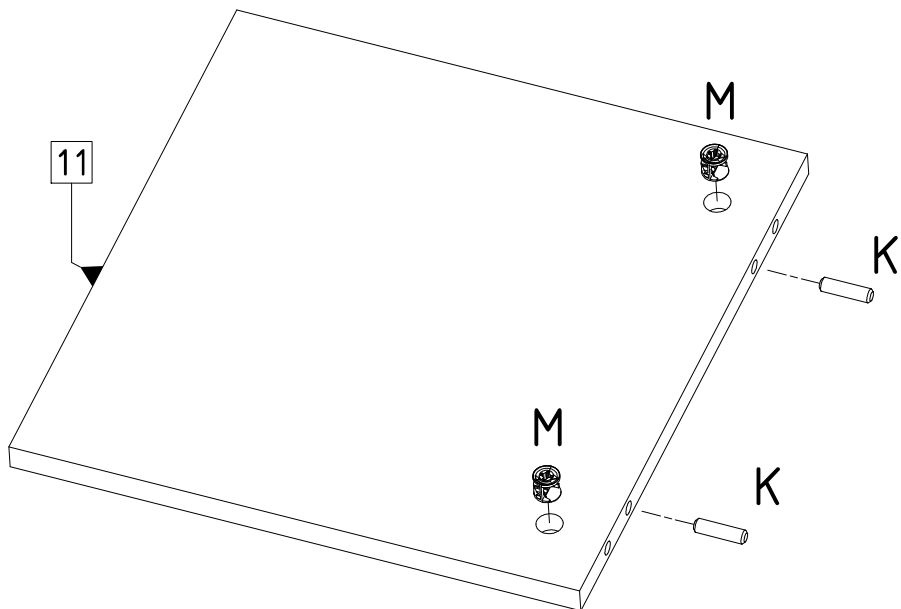


1.

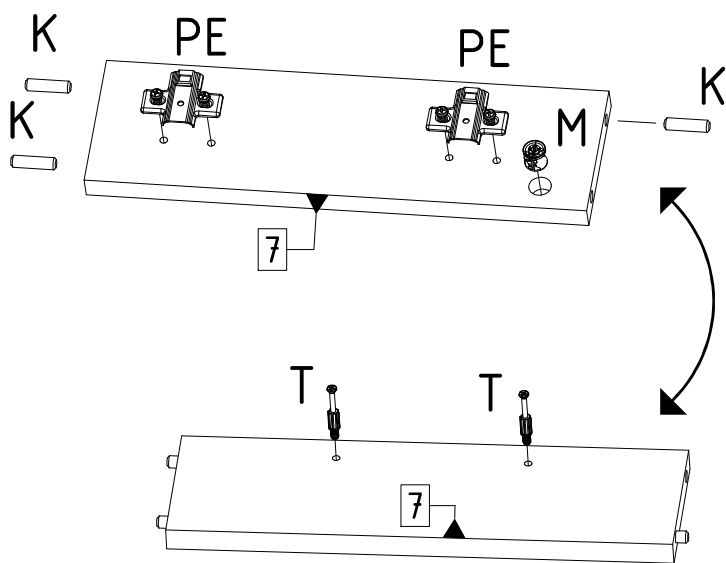


2.

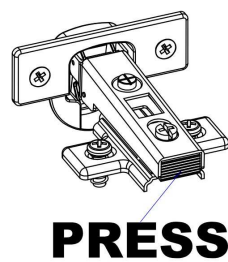




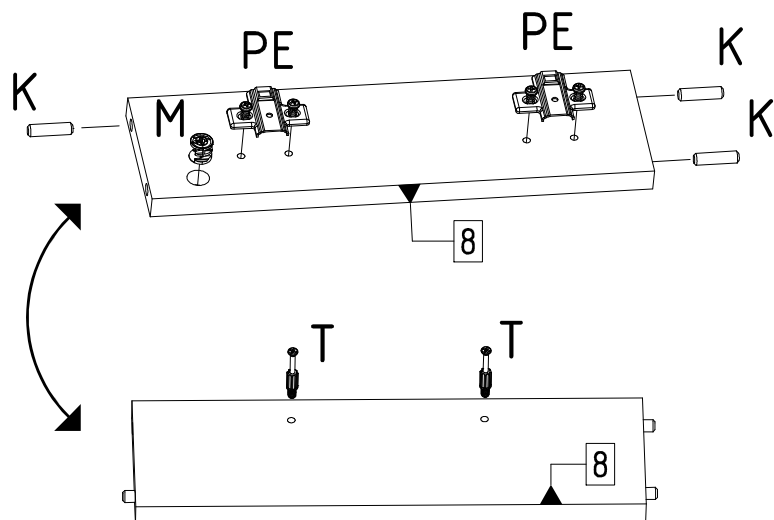
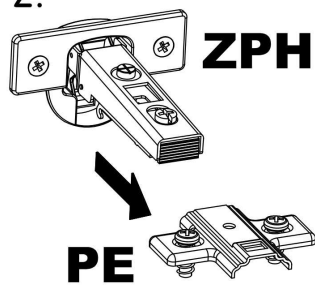
3.



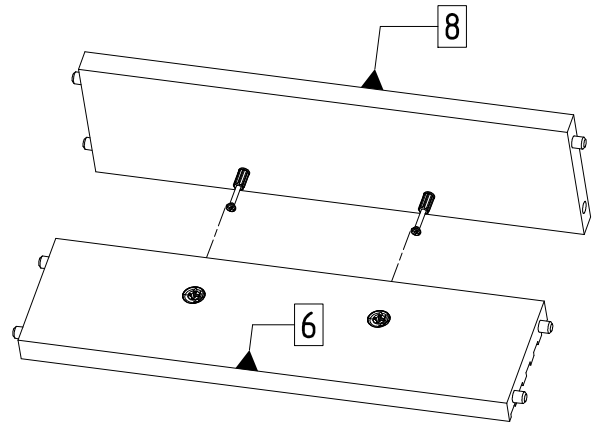
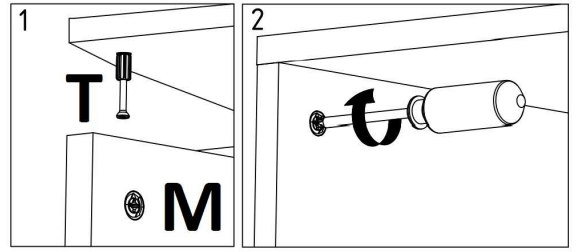
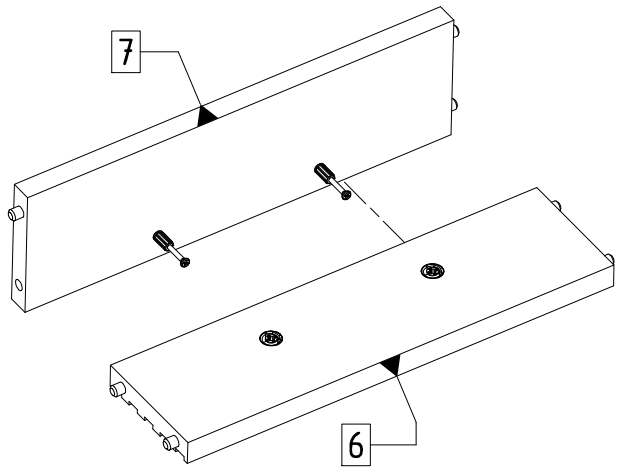
1.



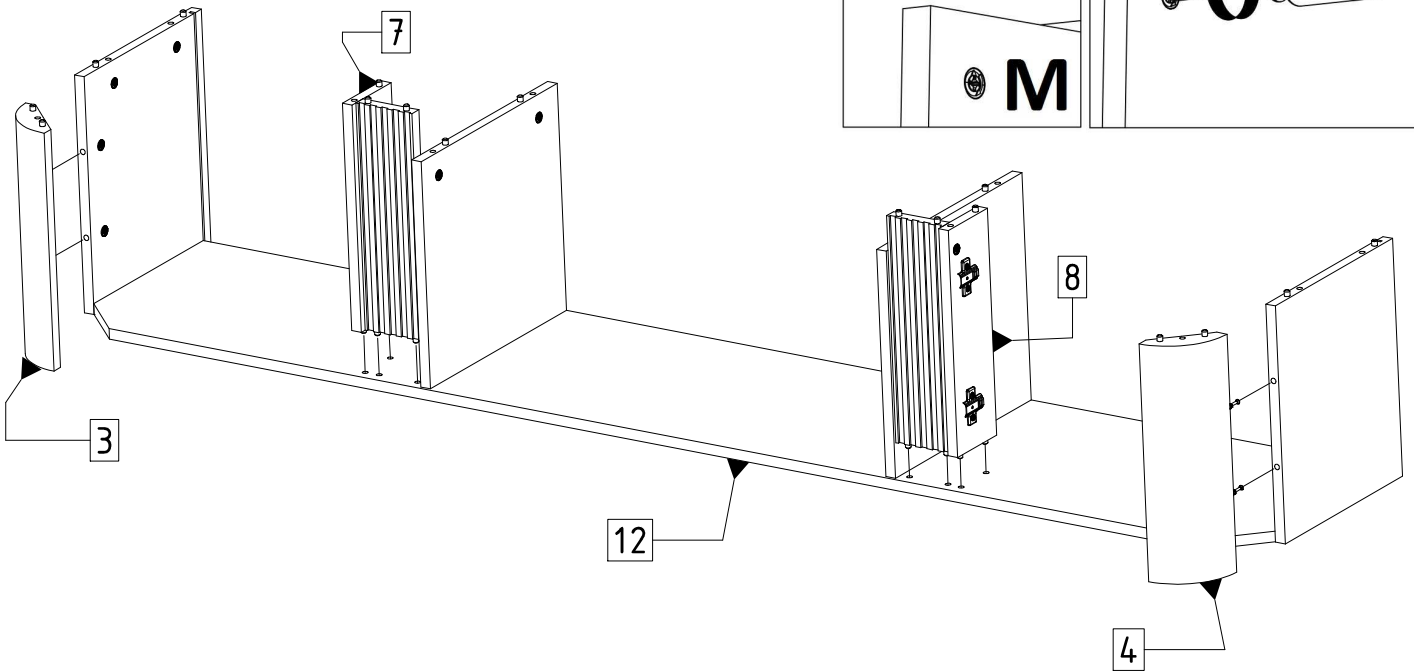
2.



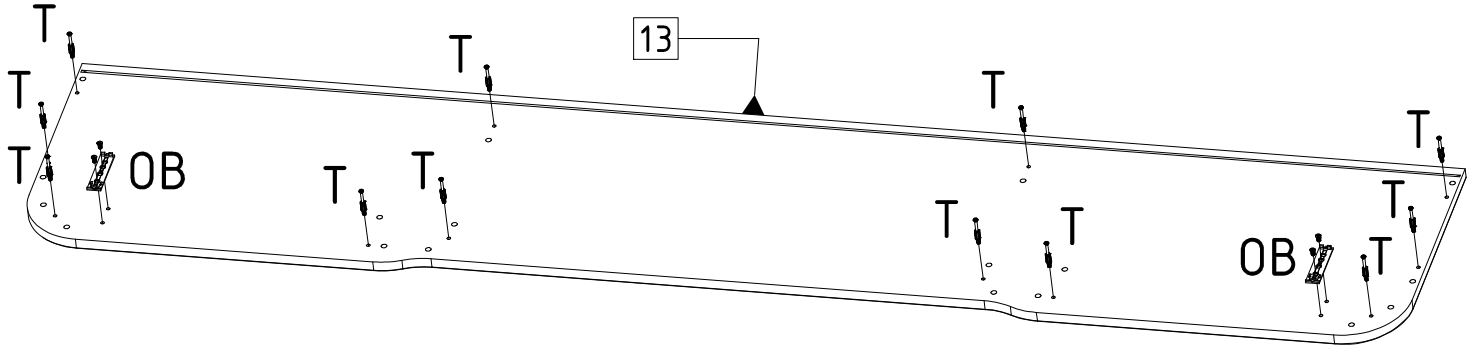
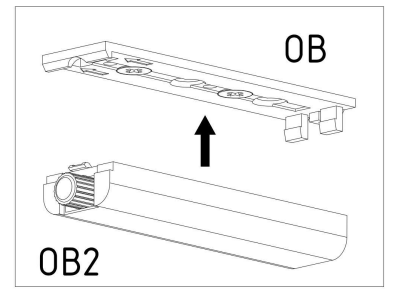
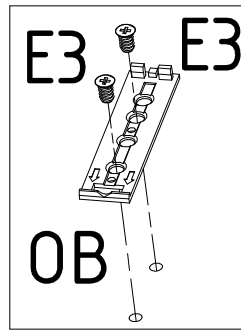
6.



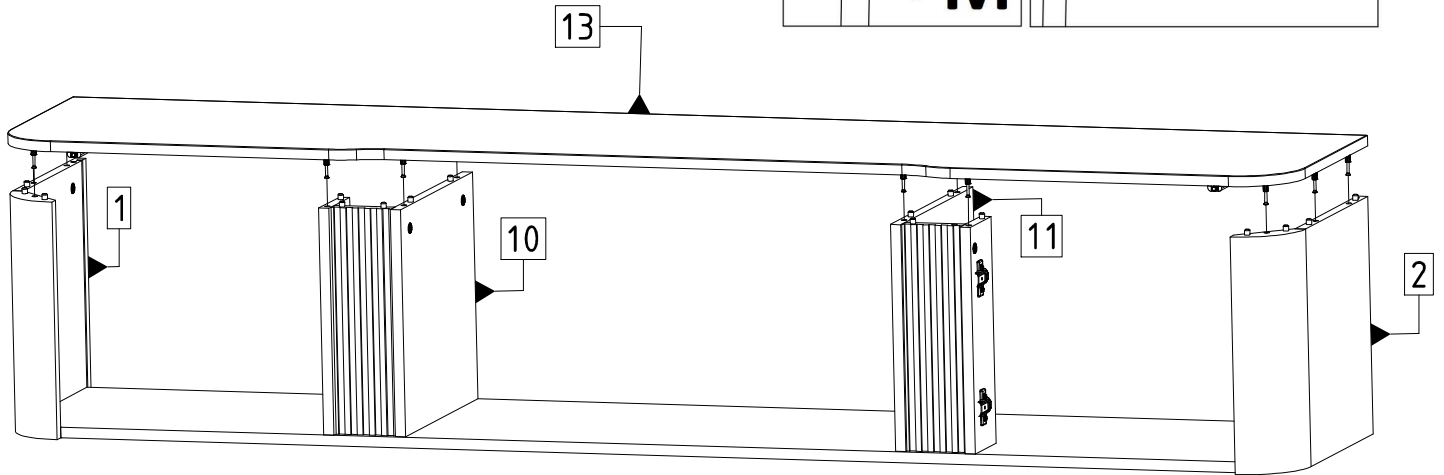
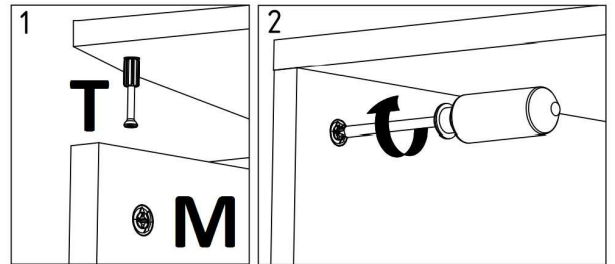
7.



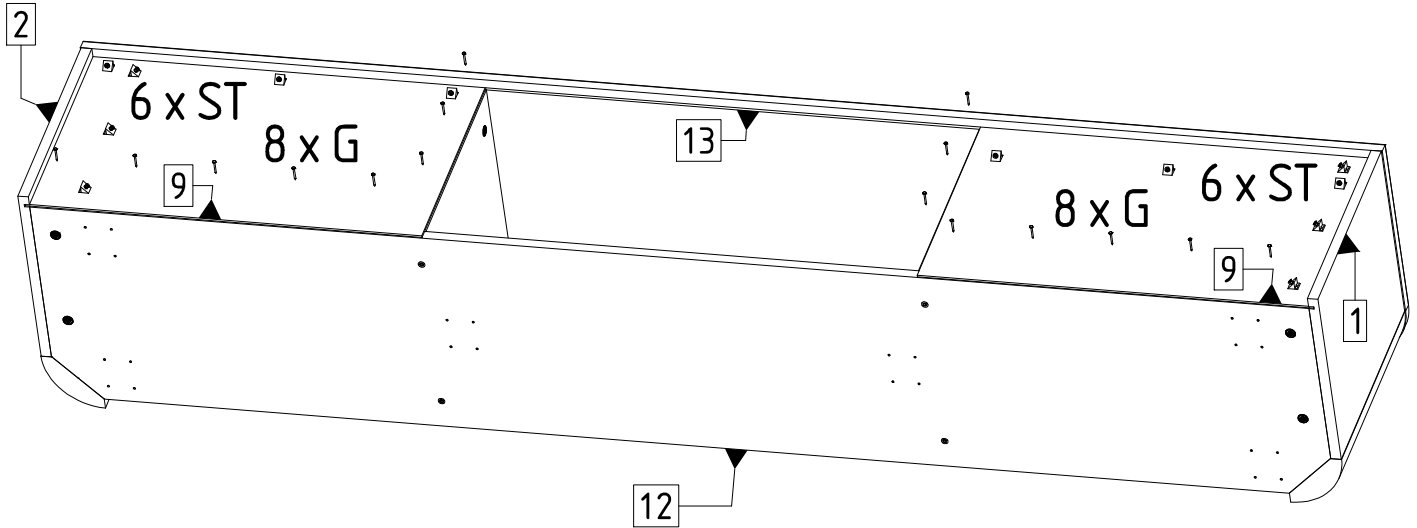
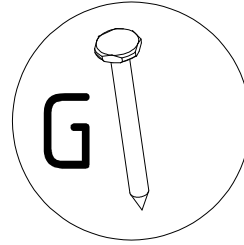
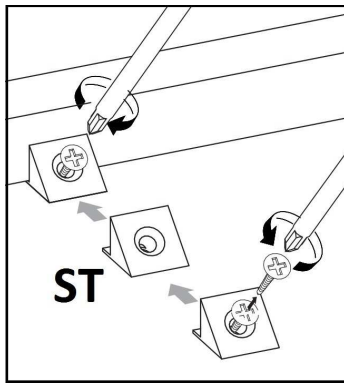
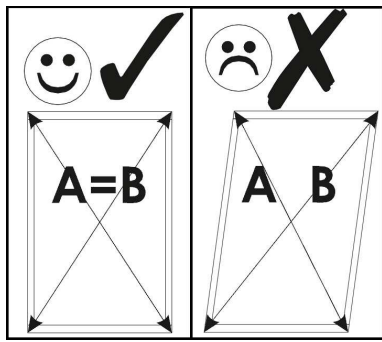
9.



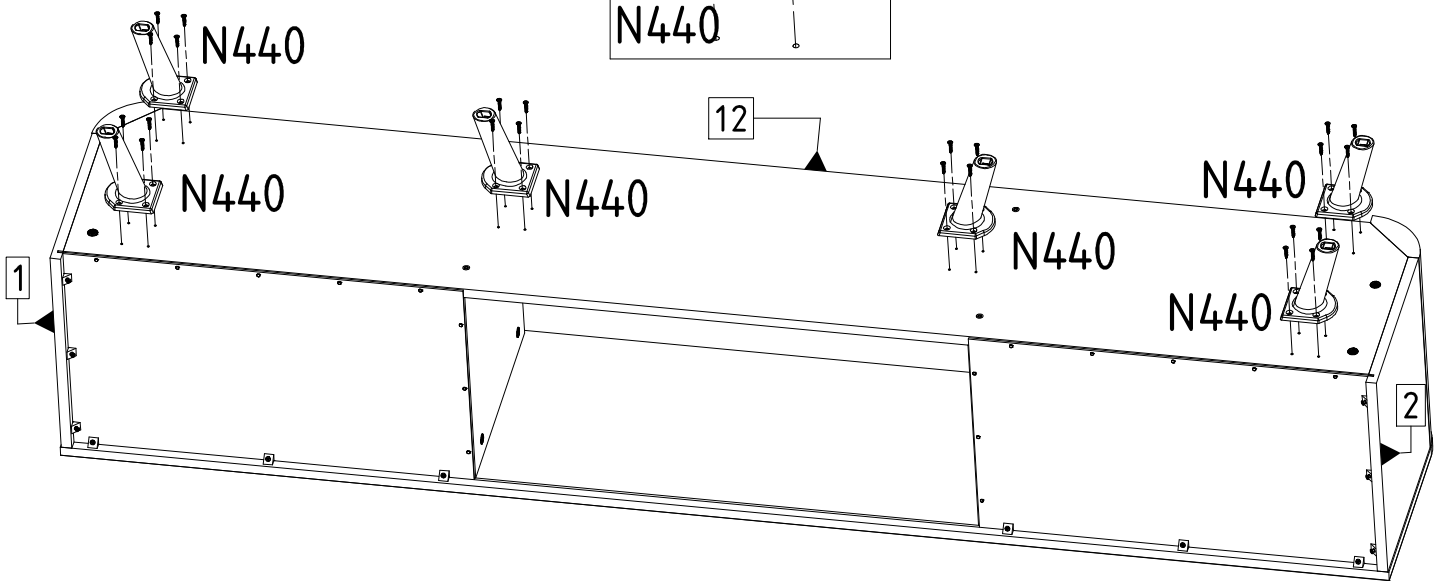
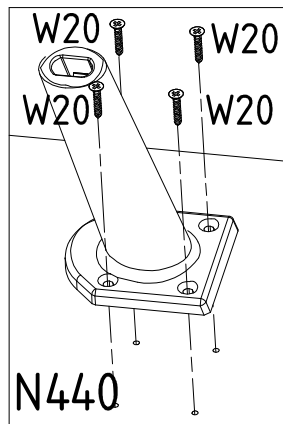
10.



11.

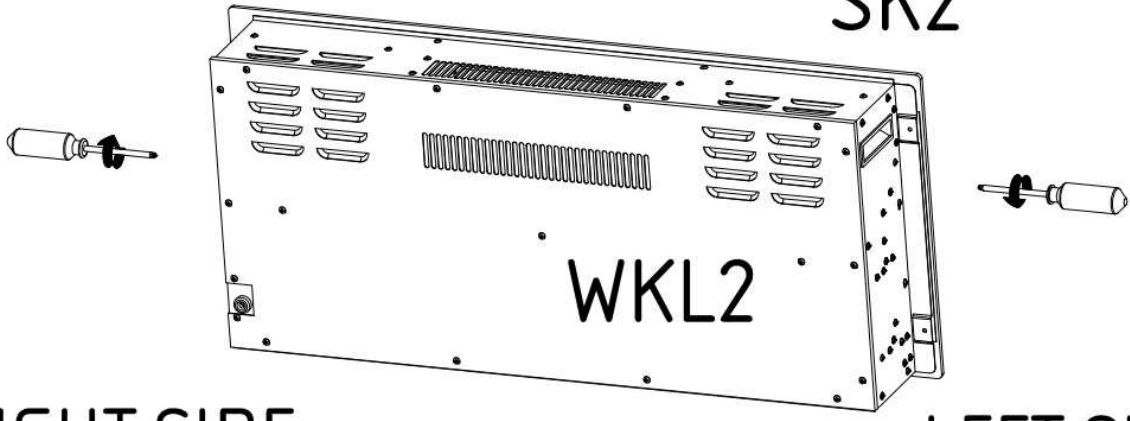


12.



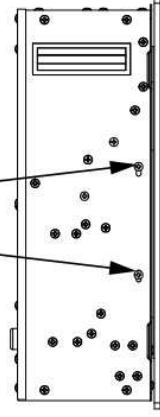
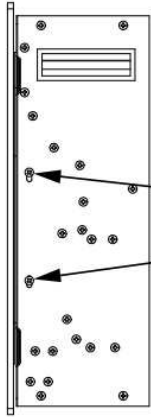
13.

SK2



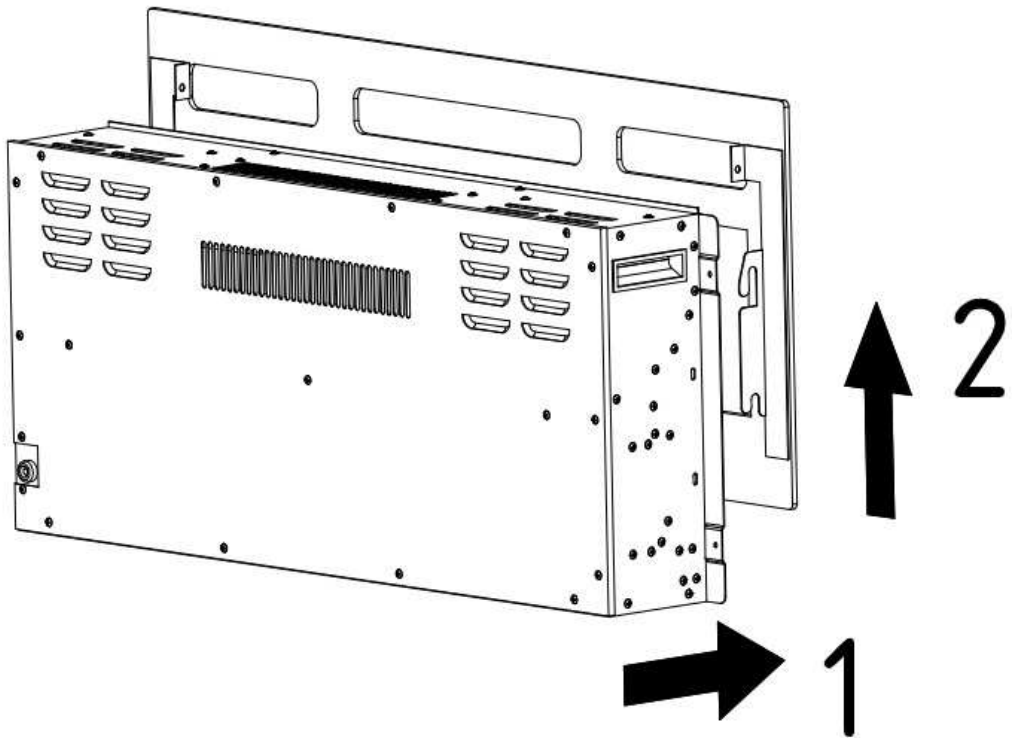
RIGHT SIDE

LEFT SIDE

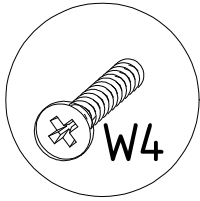
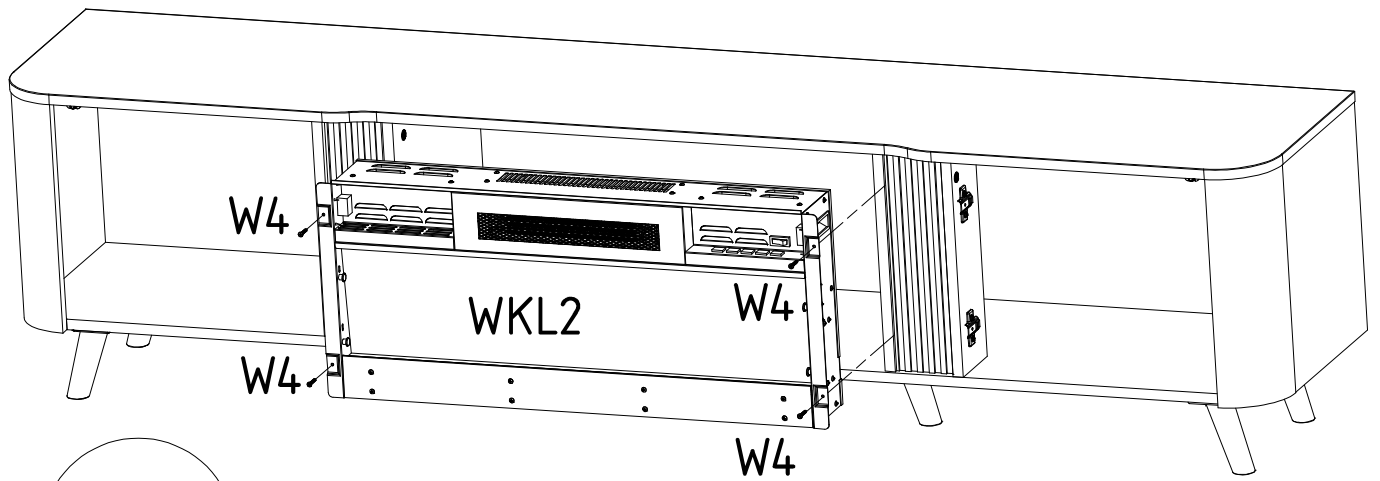


WK

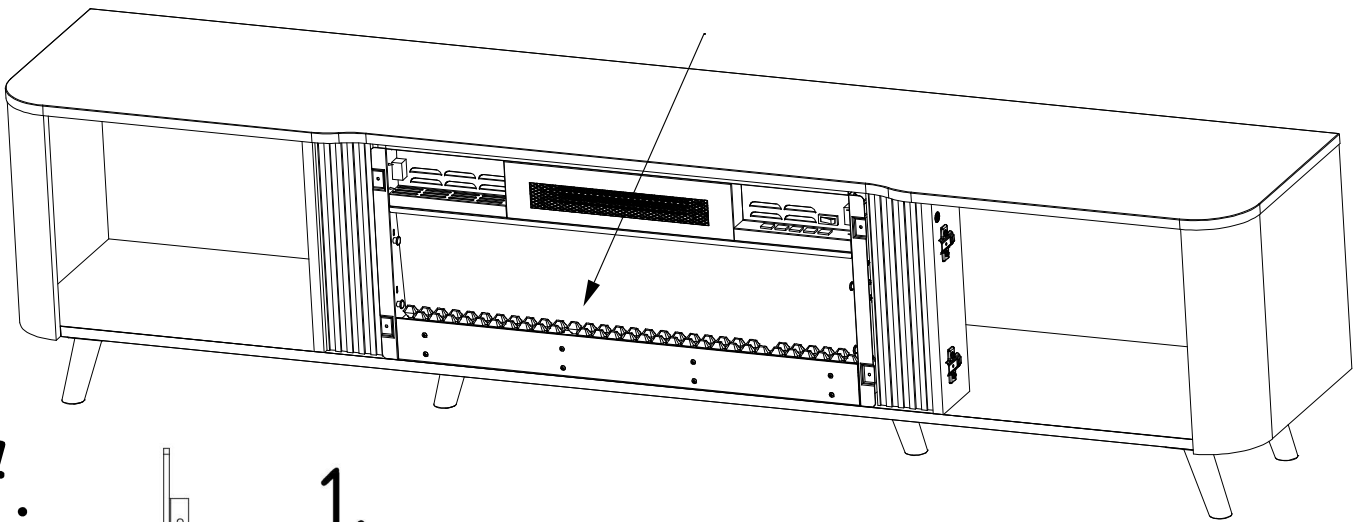
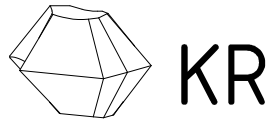
14.



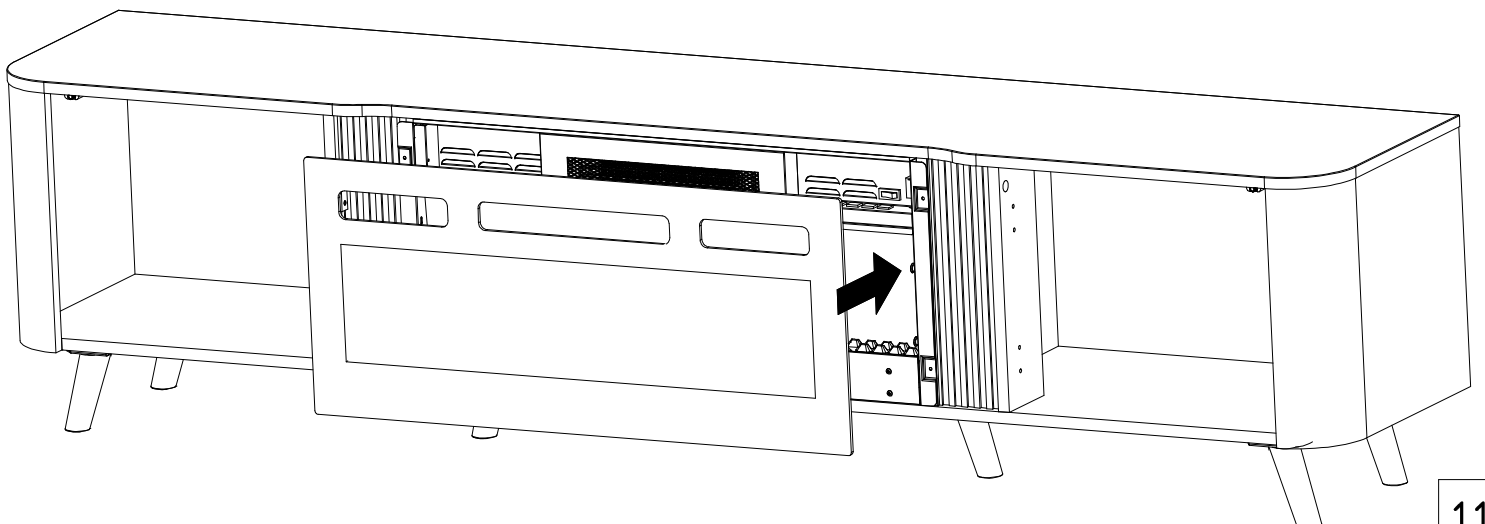
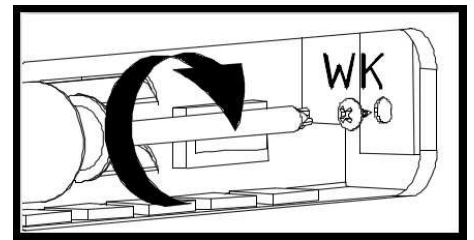
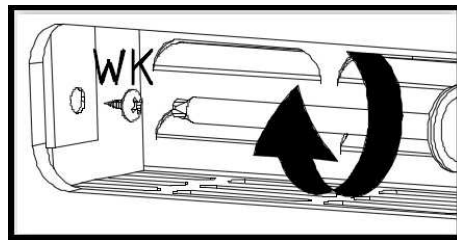
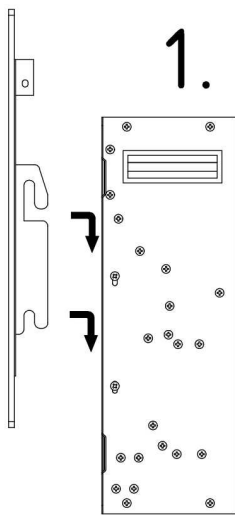
15.



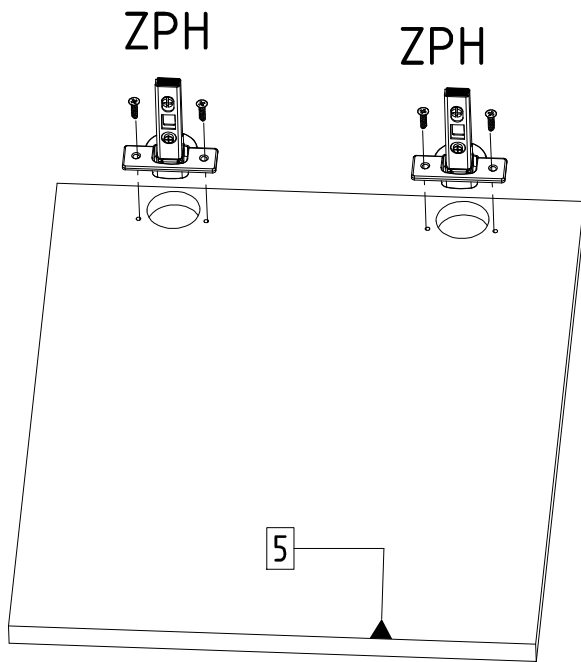
16.



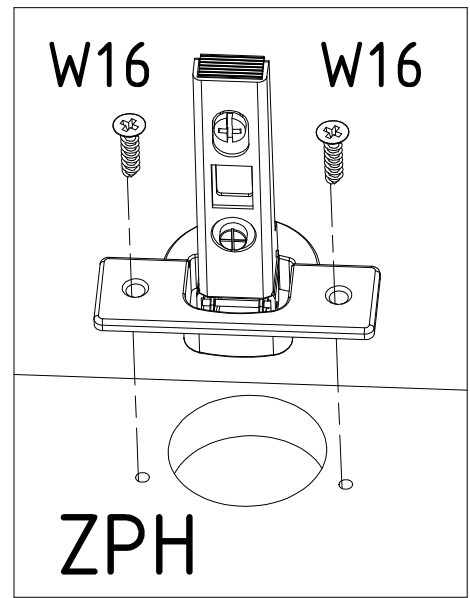
17.



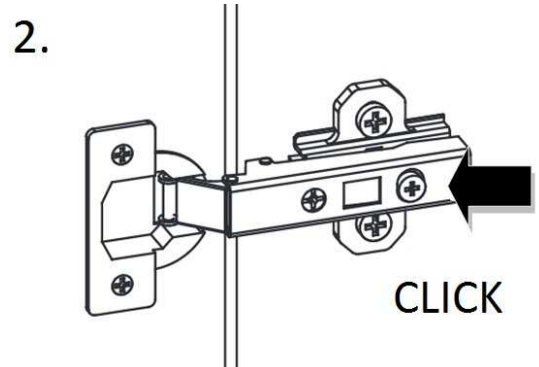
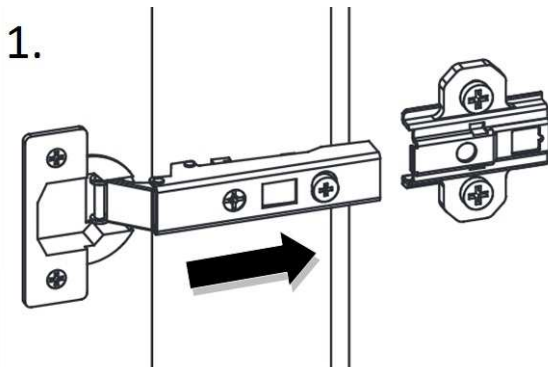
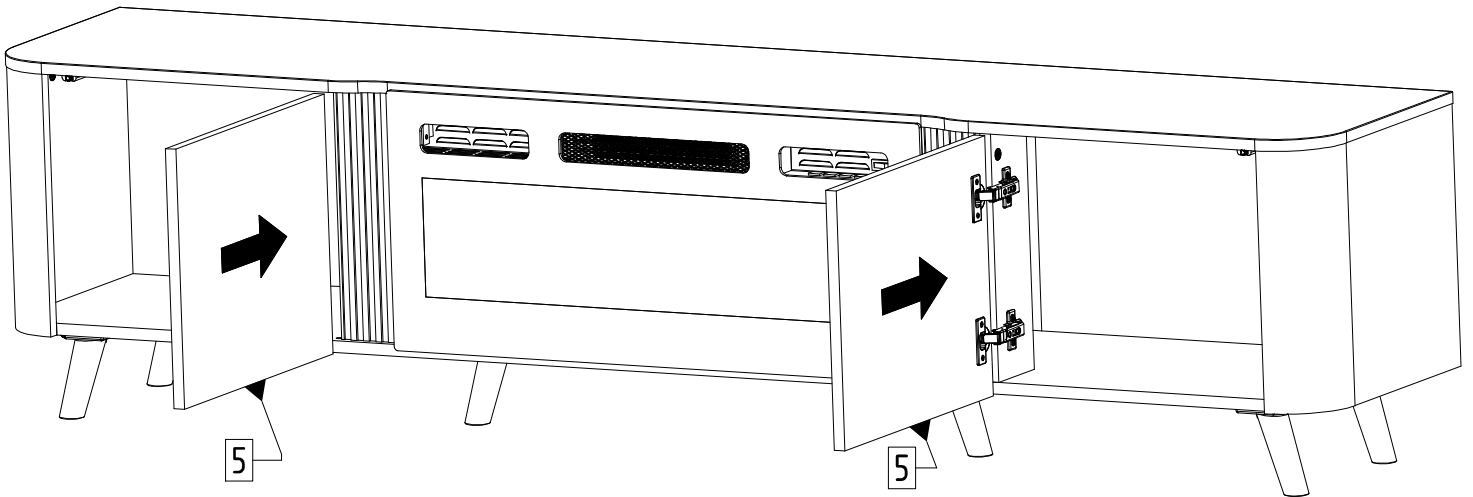
18.



x2



19.



20.



max.
15 kg

