







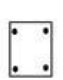


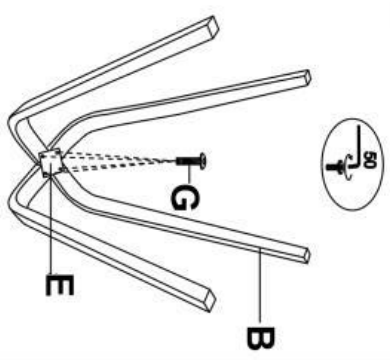
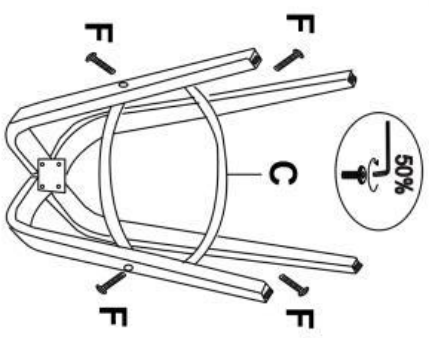
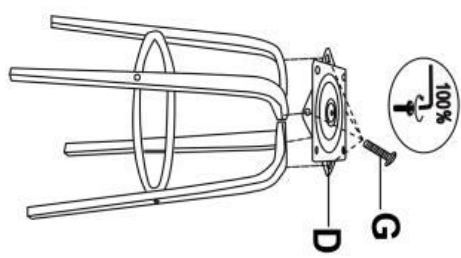
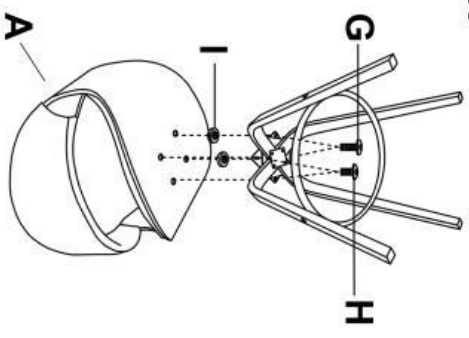
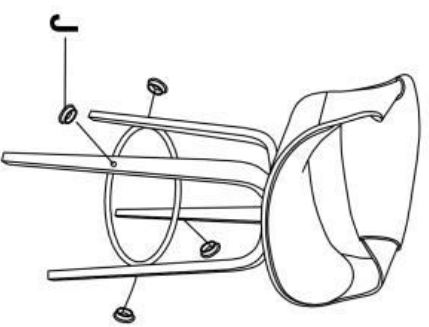
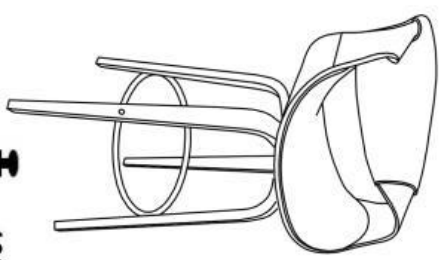


H-123

| | | | |
|-----|---|------|--|
| Ax1 |  | Fx4 |  M6*25MM |
| Bx4 |  | Gx10 |  M6*20MM |
| Cx1 |  | Hx2 |  M6*16MM |
| Dx1 |  | Ix2 |  |
| Ex1 |  | Jx4 |  |
| | | |  M6 |

| | | | | | |
|----|---|----|--|----|--|
| 1. |  | 2. |  | 3. |  |
| 4. |  | 5. |  | 6. |  |

 max. 100 kg

HALMAR Sp. z o.o.
 ul. Centralnego Okręgu Przemysłowego 2, 37-450 Stalowa Wola, POLSKA / POLAND
 tel: +48 15 843 28 10, fax: +48 15 842 19 57, e-mail: office@halmar.com.pl

V.1

NOWOŚĆ