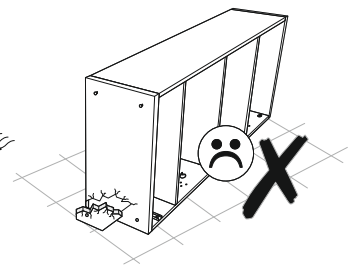
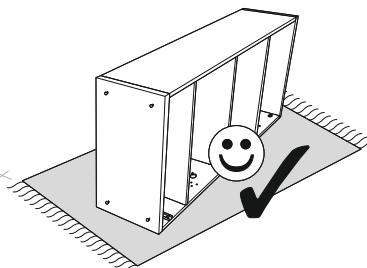
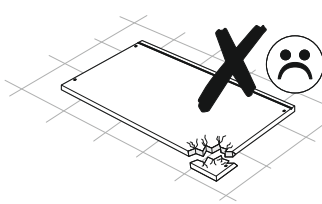
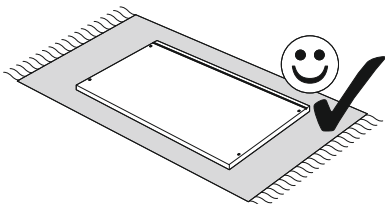
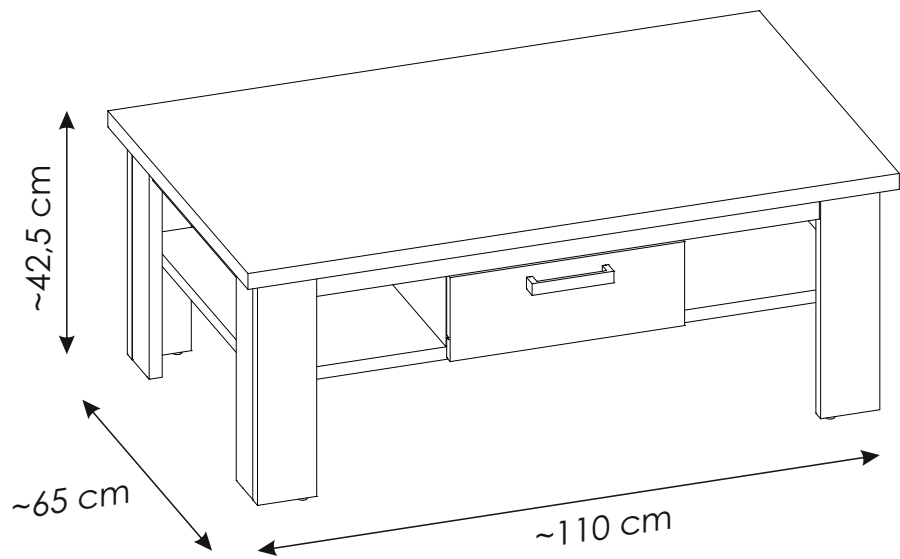
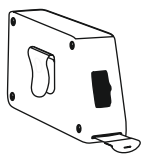
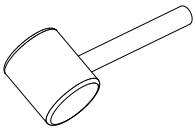
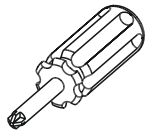
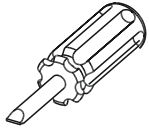
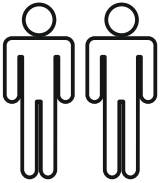
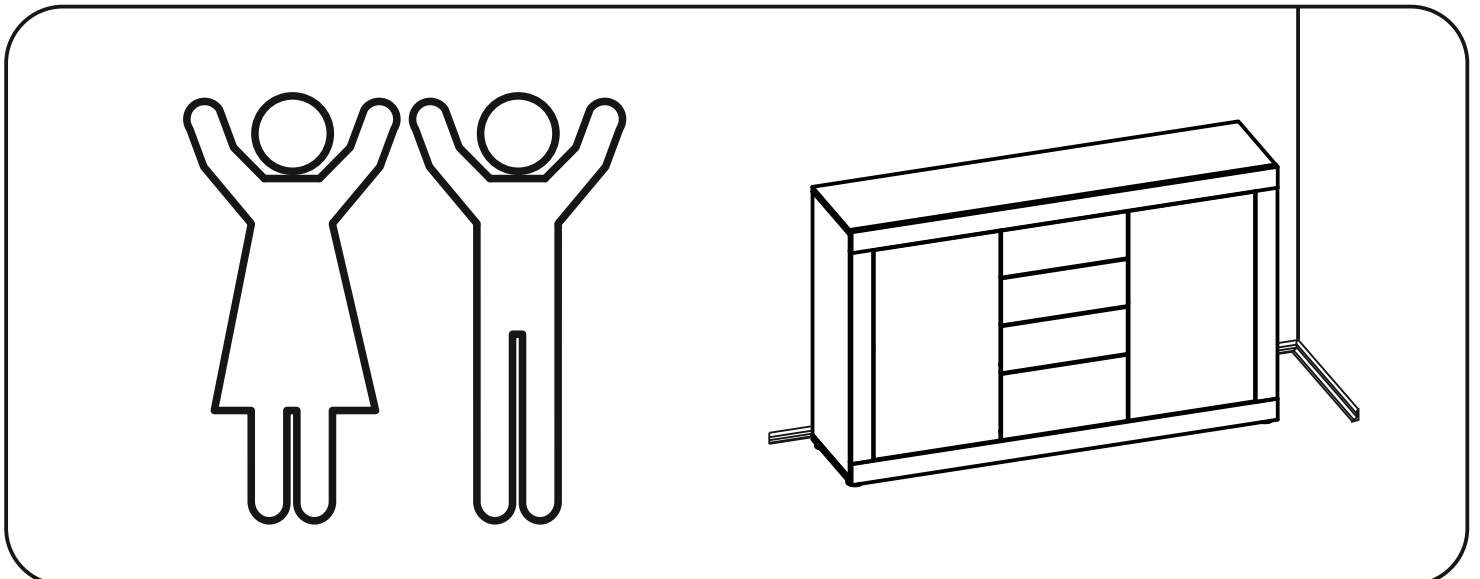
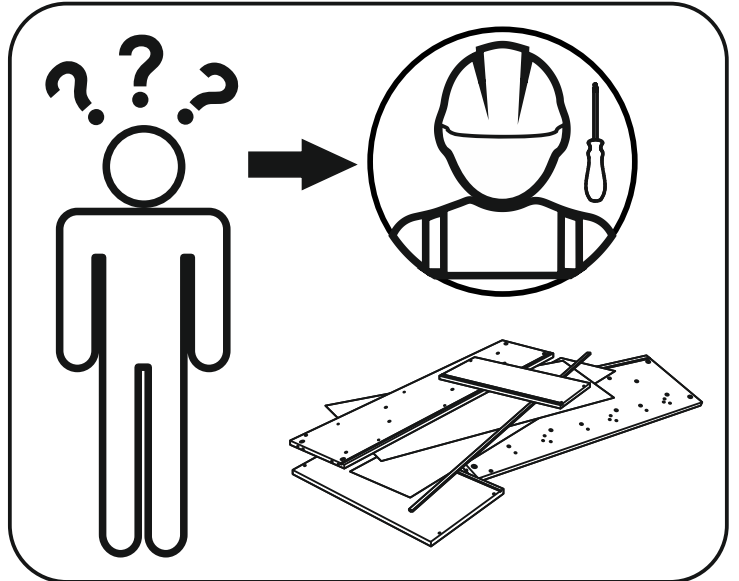
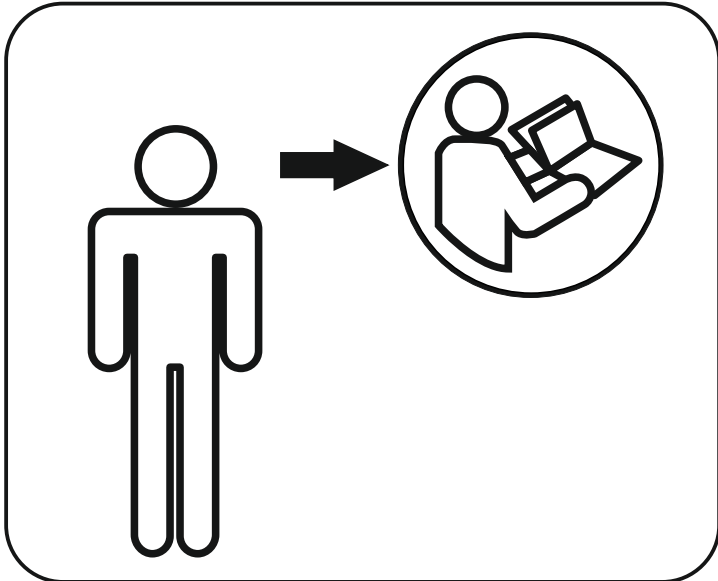
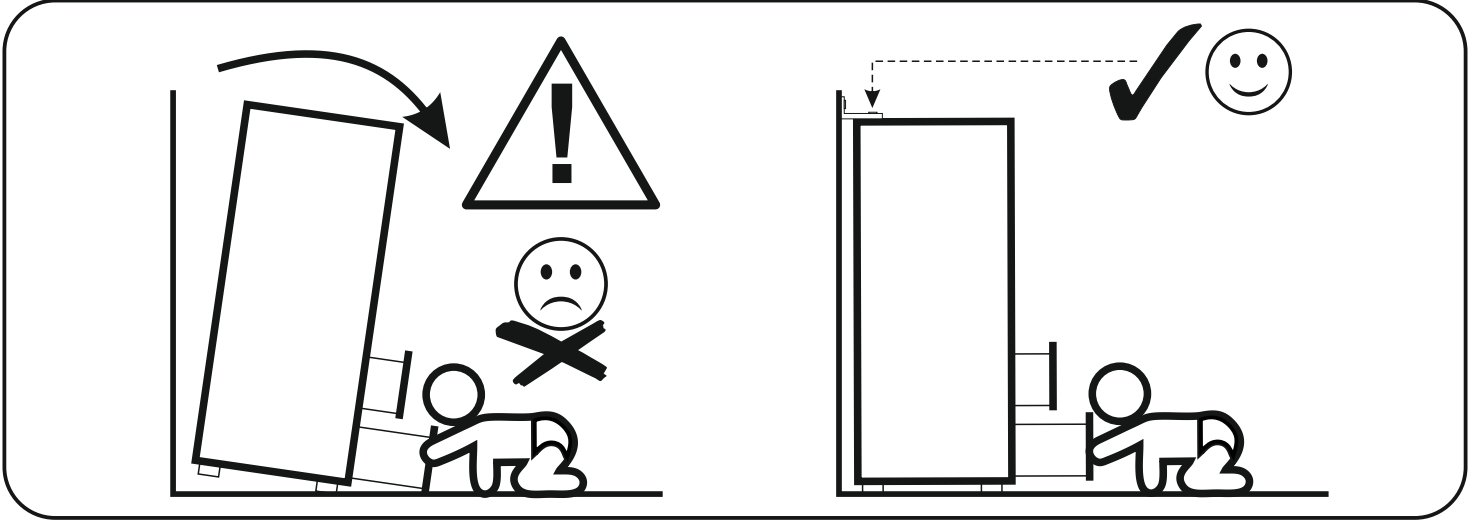
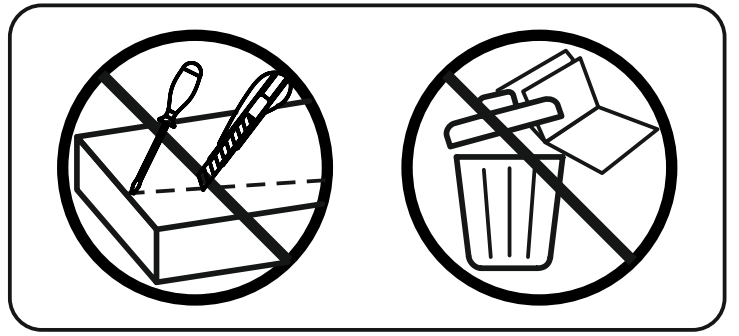


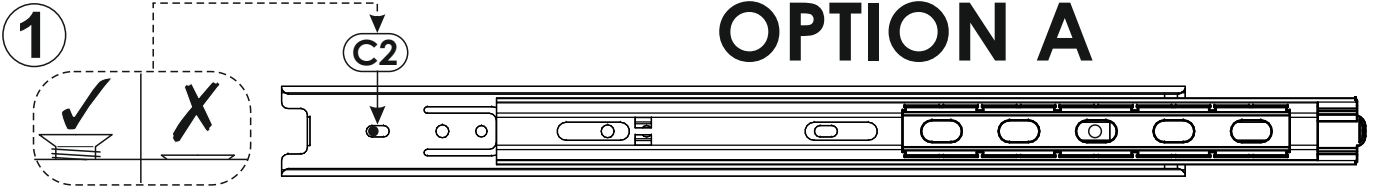
PEZT01



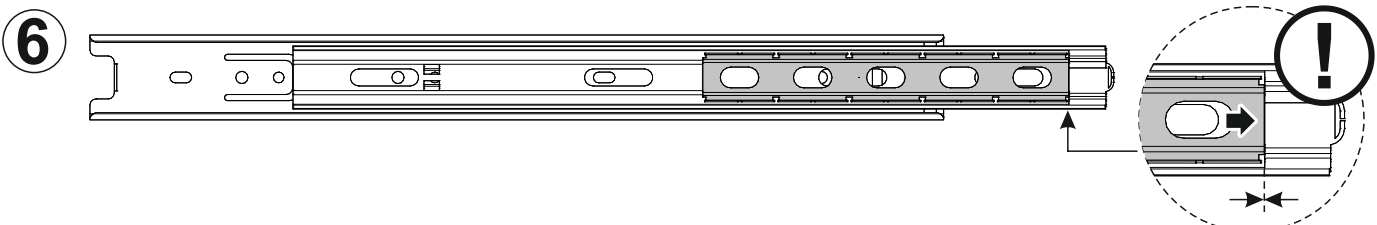
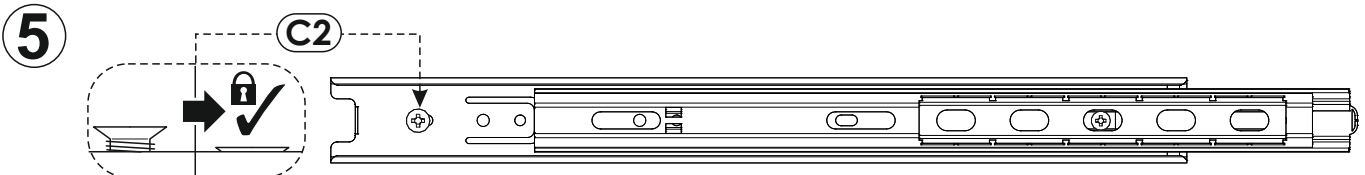
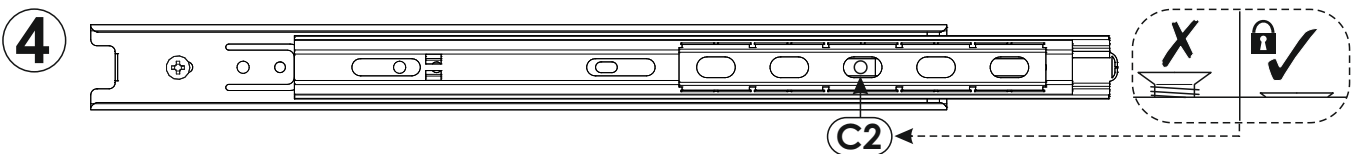
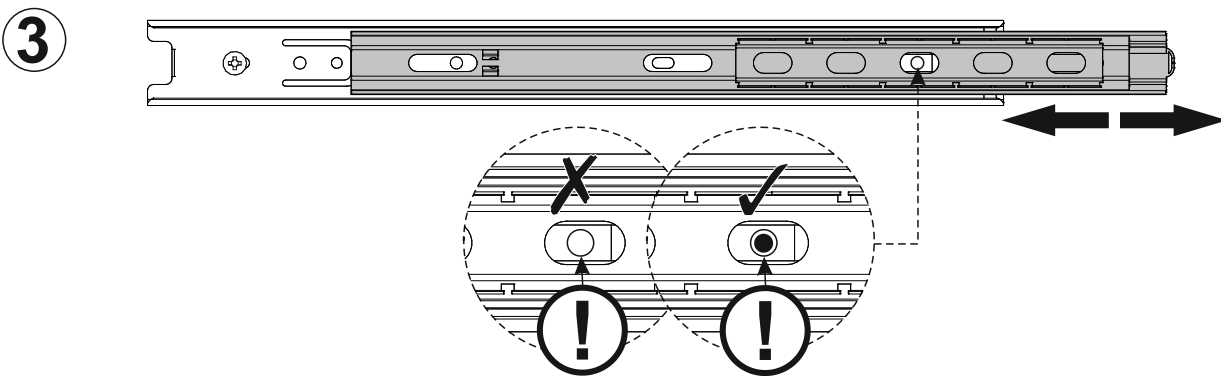
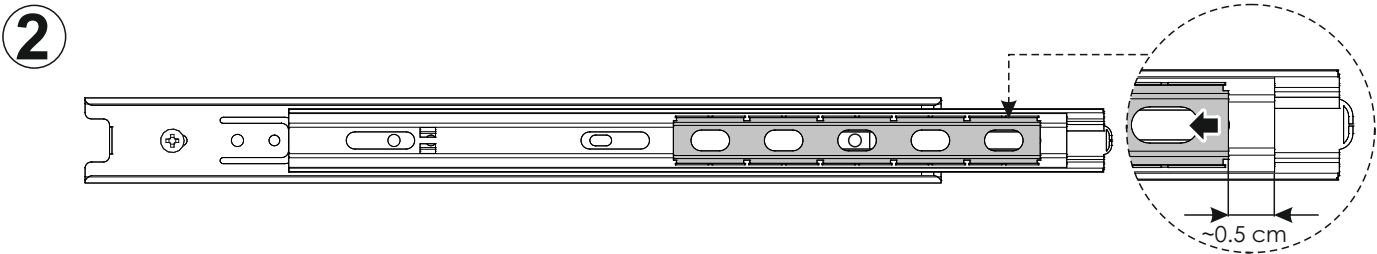


PEZT01

OPTION A

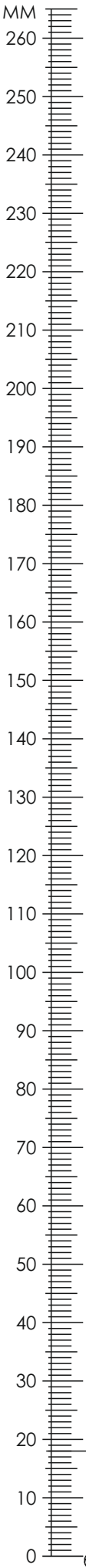


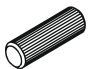
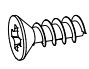
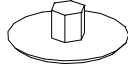

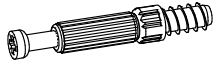
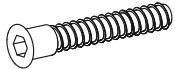
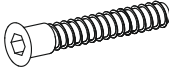
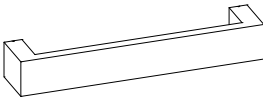
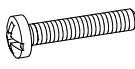
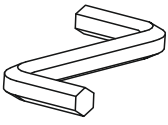


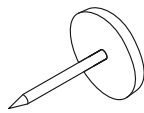
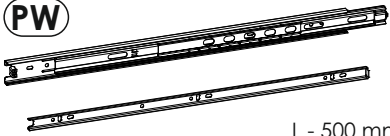
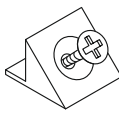
OPTION B



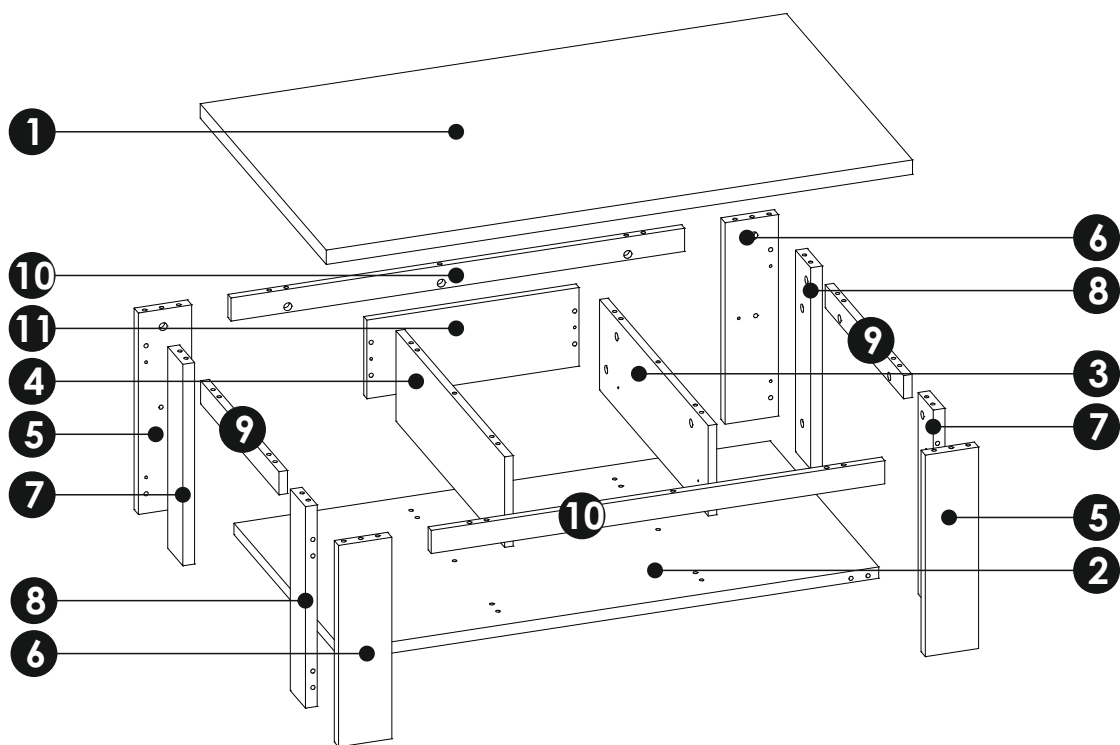
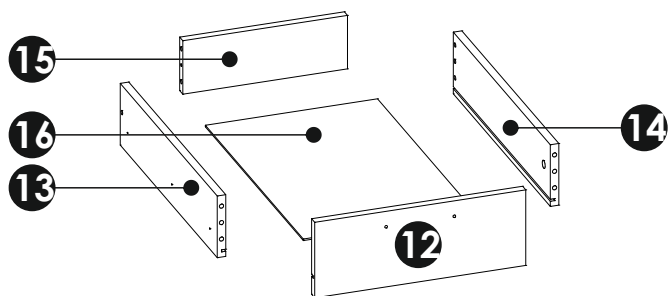
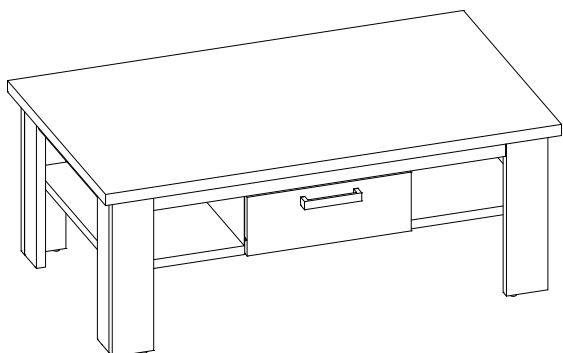
FRONT

PEZT01



A1 8 x 35 mm x56 	C2 5 x 13 mm x4 	E0 Ø16 x26 
E1 15 x 12 mm x38 	F1 6 x 34 mm x38 	G1 7 x 50 mm x2 
G2 7 x 60 mm x4 	H1 x1 	K7 4 x 22 mm x2 
M x1 	N1 3 x 16 mm x5 	N5 3,5 x 16 mm x6 
O2 x8 	PW x2 L - 500 mm 	R4 x1 

PEZT01

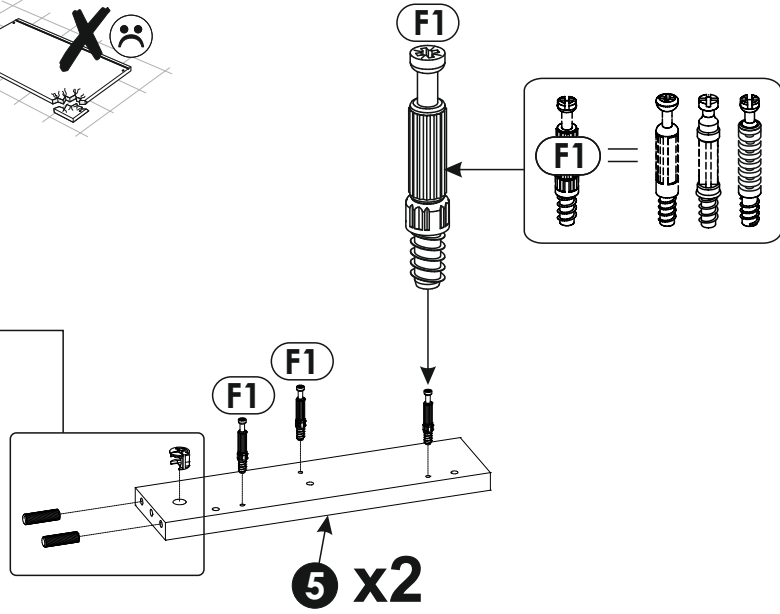
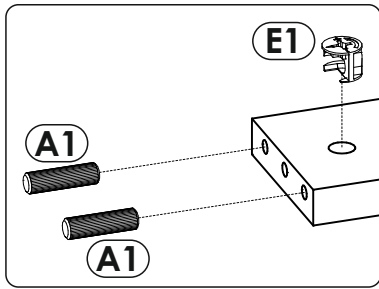
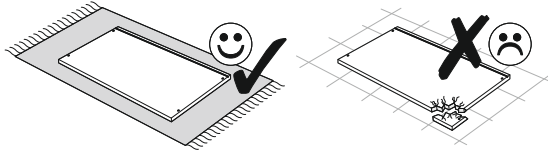


1	1100	650	28	x1	2/2
2	1006	560	22	x1	2/2
3	176	560	16	x1	1/2
4	176	560	16	x1	1/2
5	392	100	22	x2	1/2
6	392	100	22	x2	1/2
7	392	78	22	x2	1/2
8	392	78	22	x2	1/2

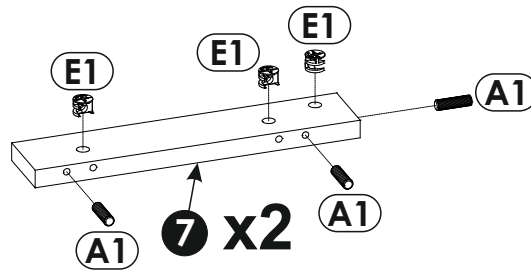
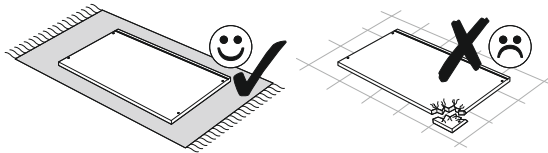
9	404	45	16	x2	2/2
10	851	45	16	x2	2/2
11	398	153	16	x1	1/2
12	396	147	16	x1	1/2
13	500	120	16	x1	1/2
14	500	120	16	x1	1/2
15	309	104	16	x1	1/2
16	323	505	3	x1	1/2

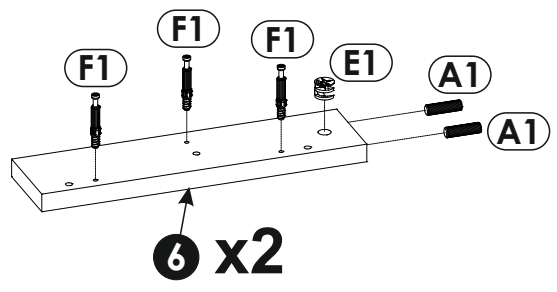
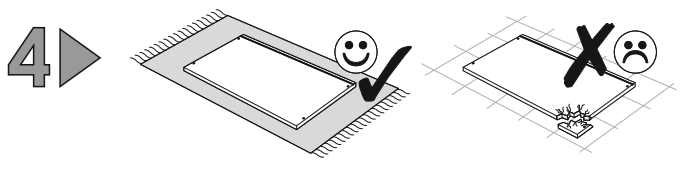
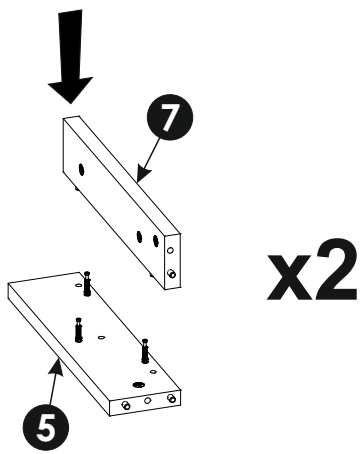
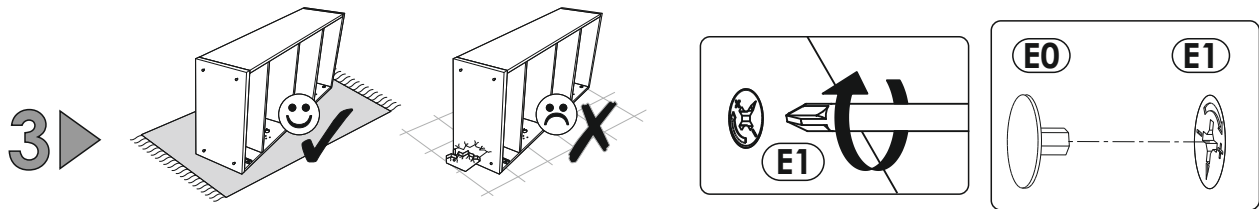


1 ▶

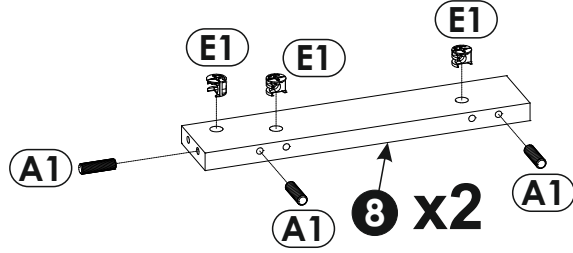
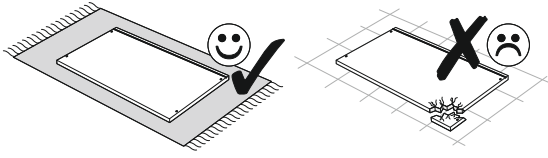


2 ▶

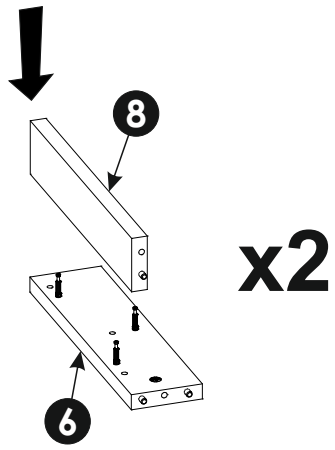
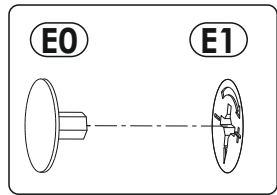
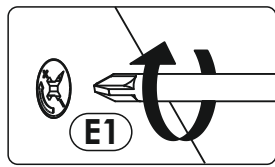
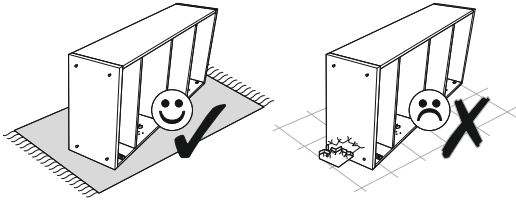


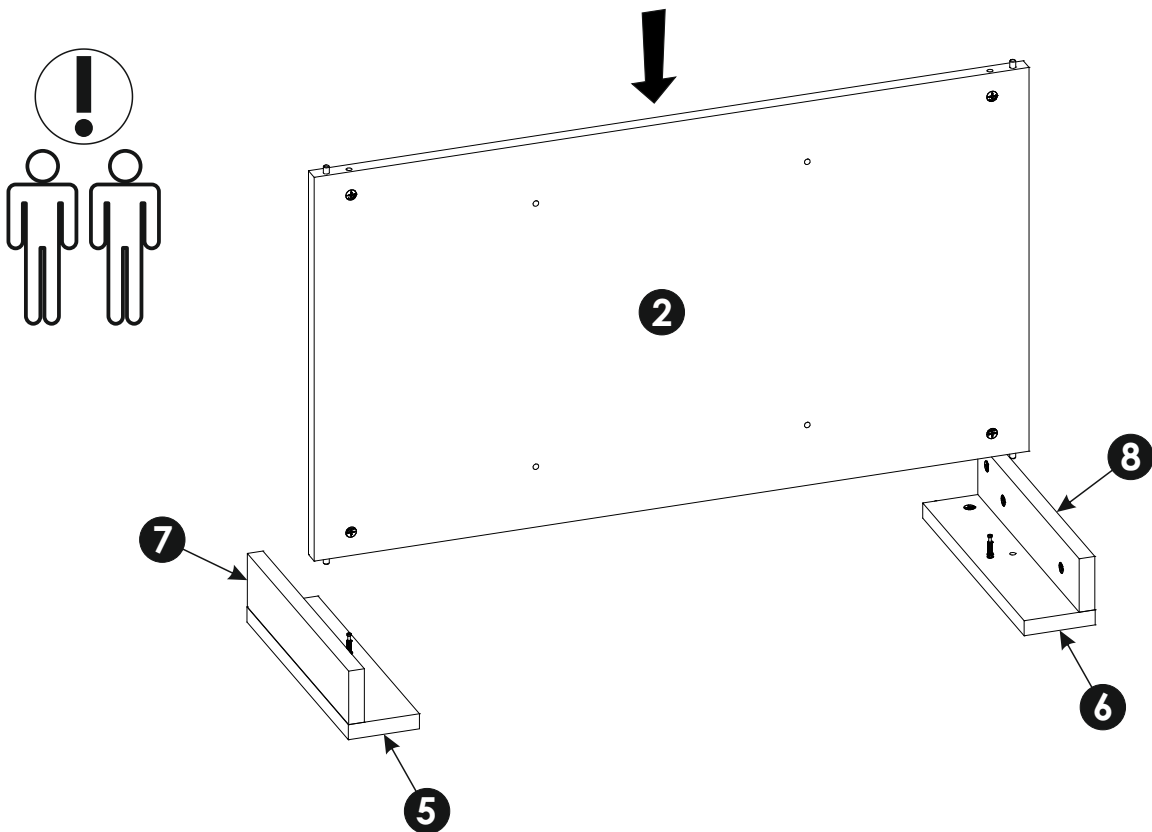
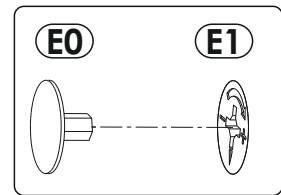
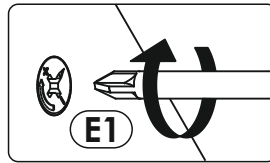
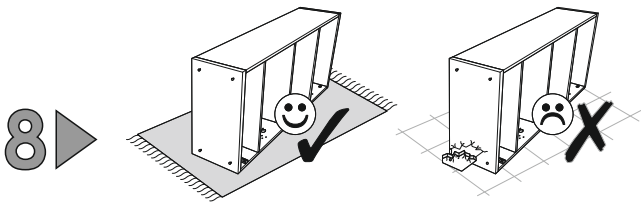
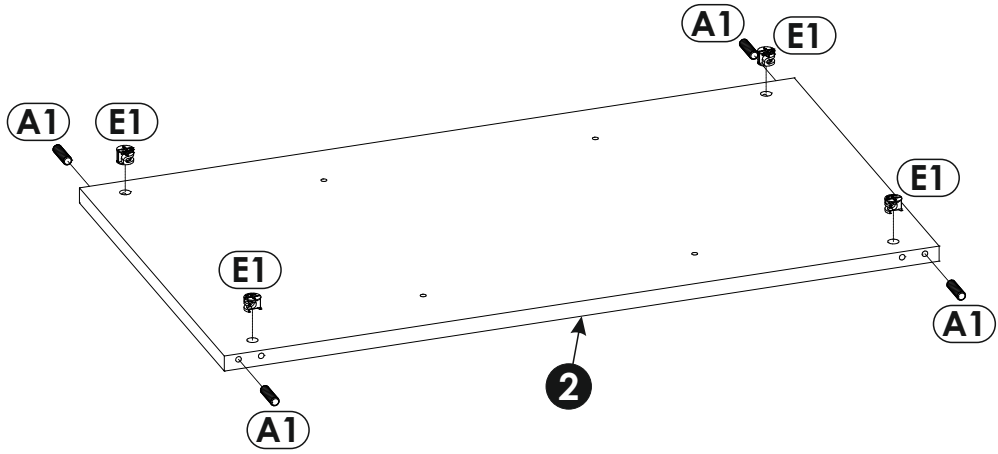
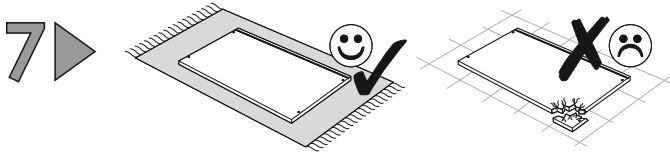


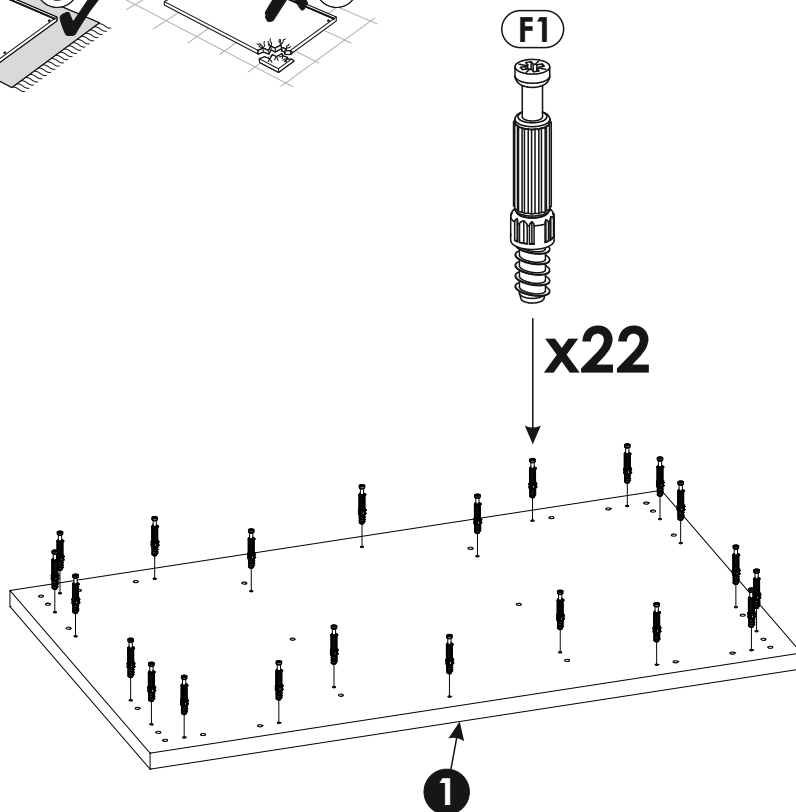
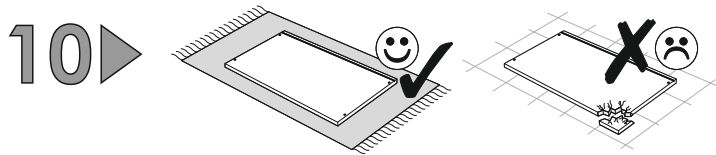
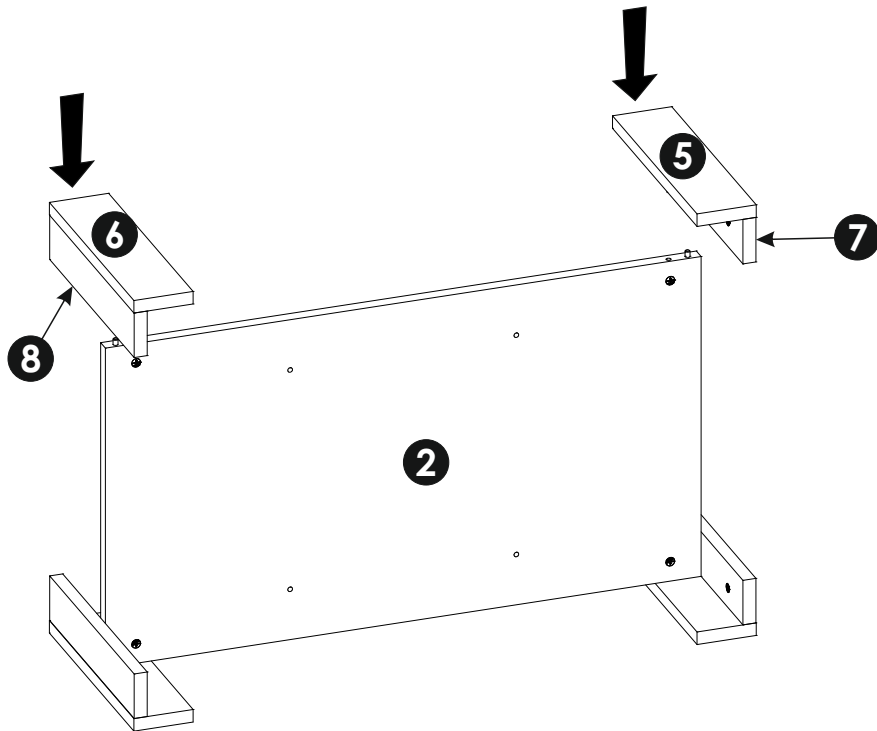
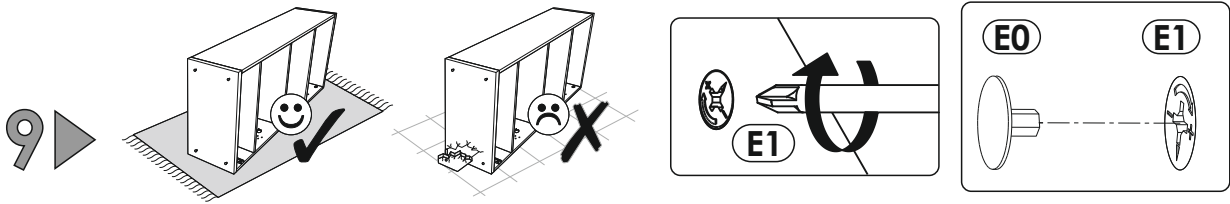
5 ▶



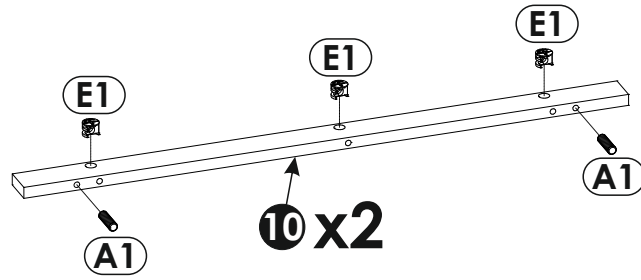
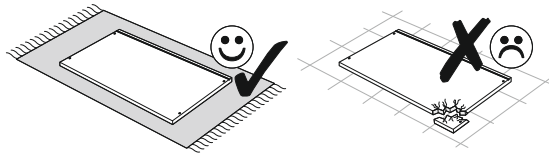
6 ▶



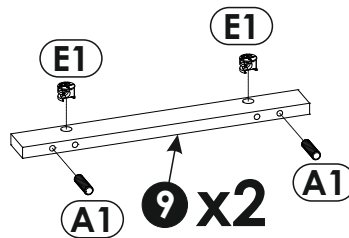
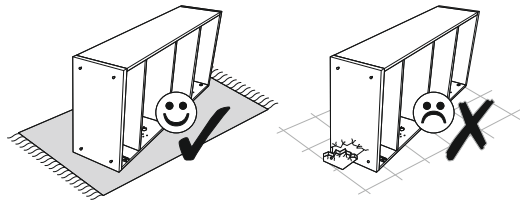




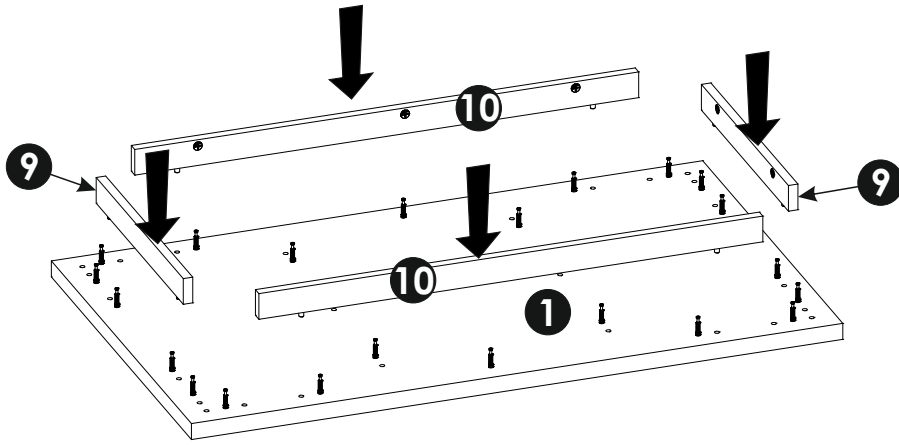
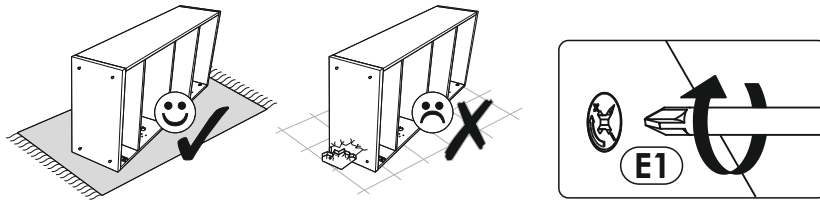
11 ▶



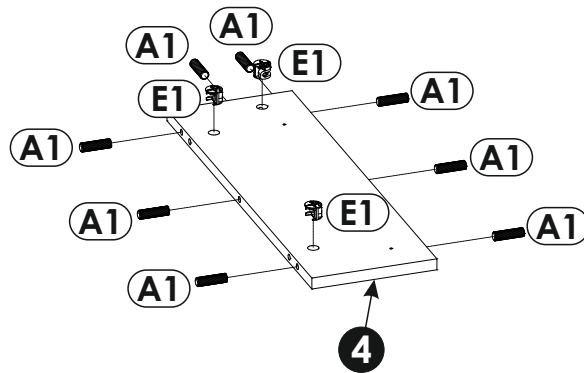
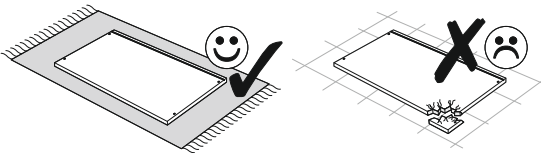
12 ▶

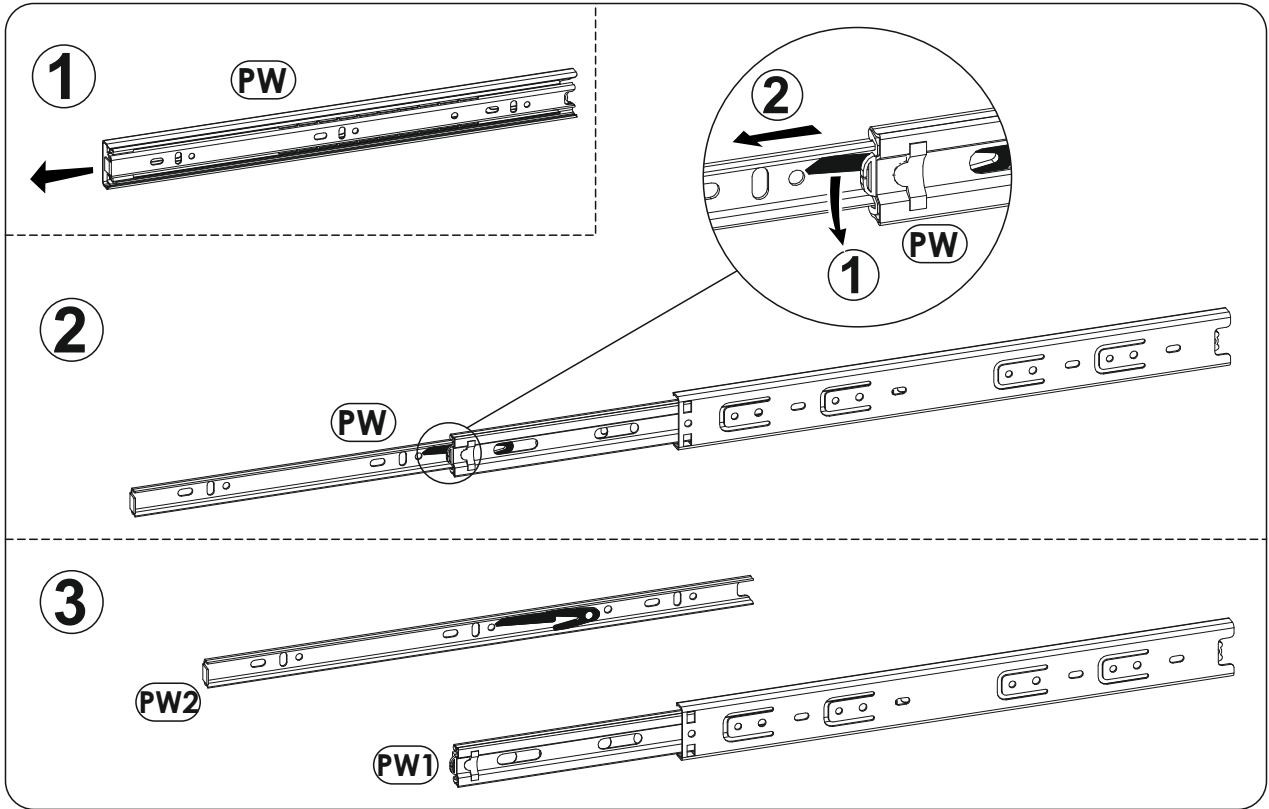


13 ▶

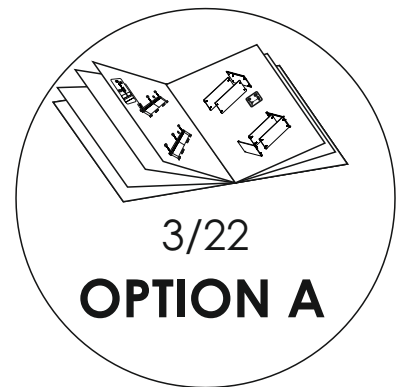
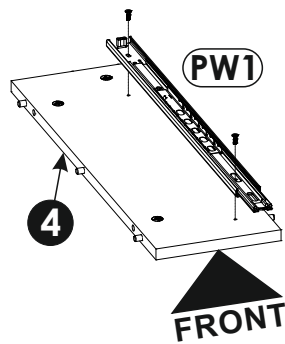
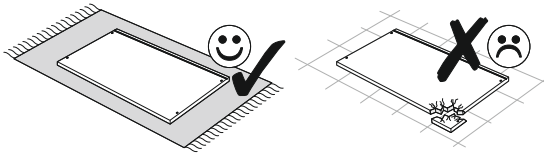


14a ▶

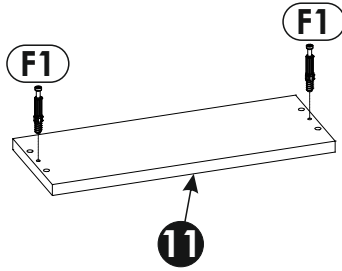
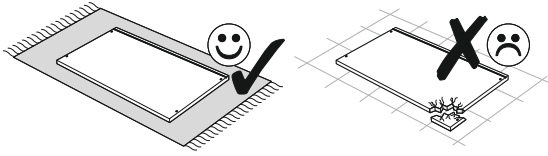




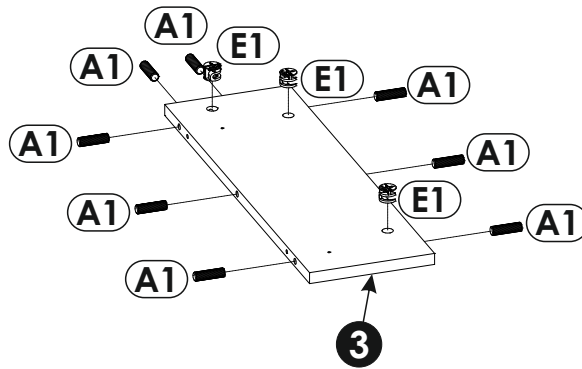
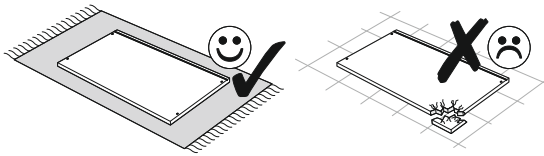
14b ▶



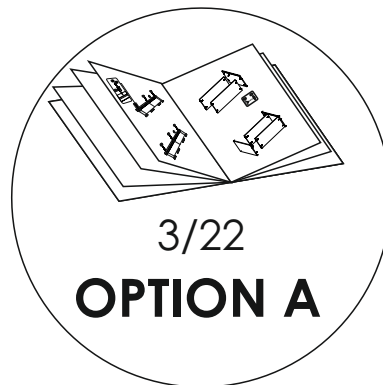
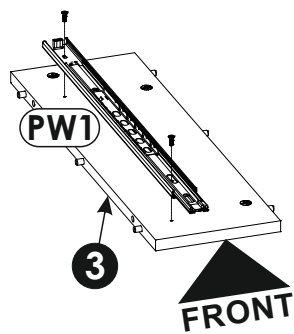
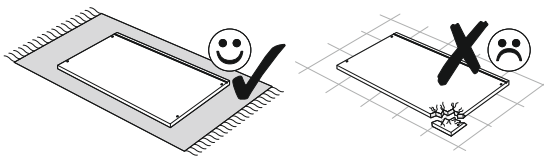
15▶



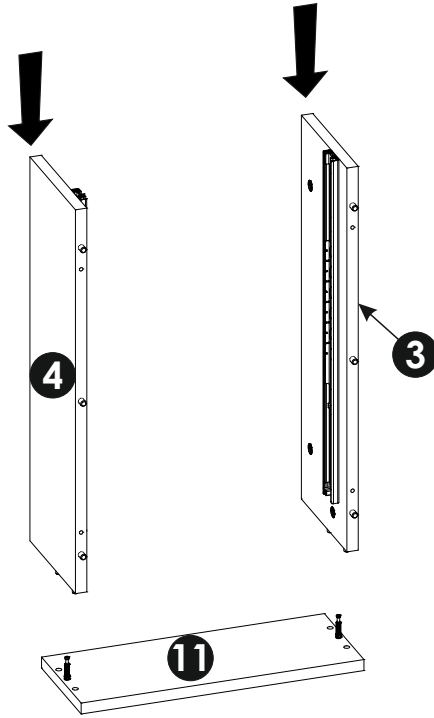
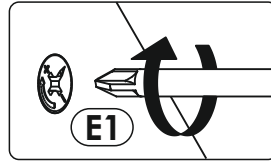
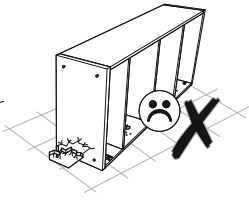
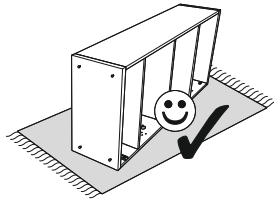
16a▶



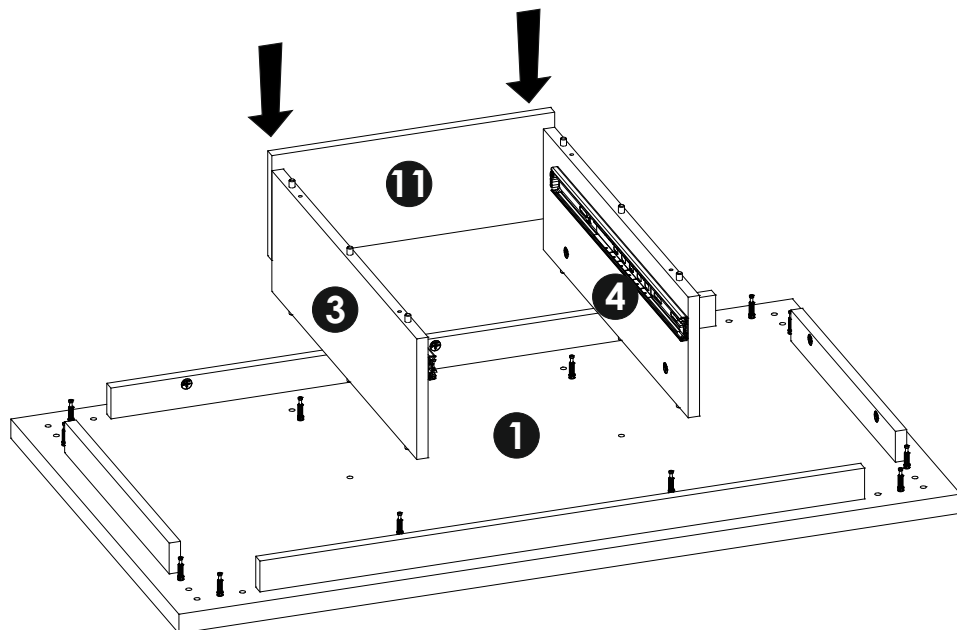
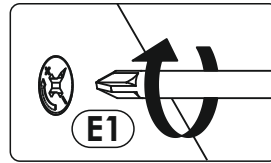
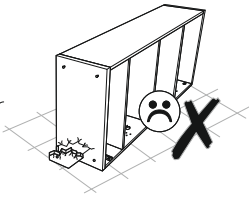
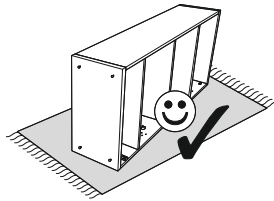
16b▶



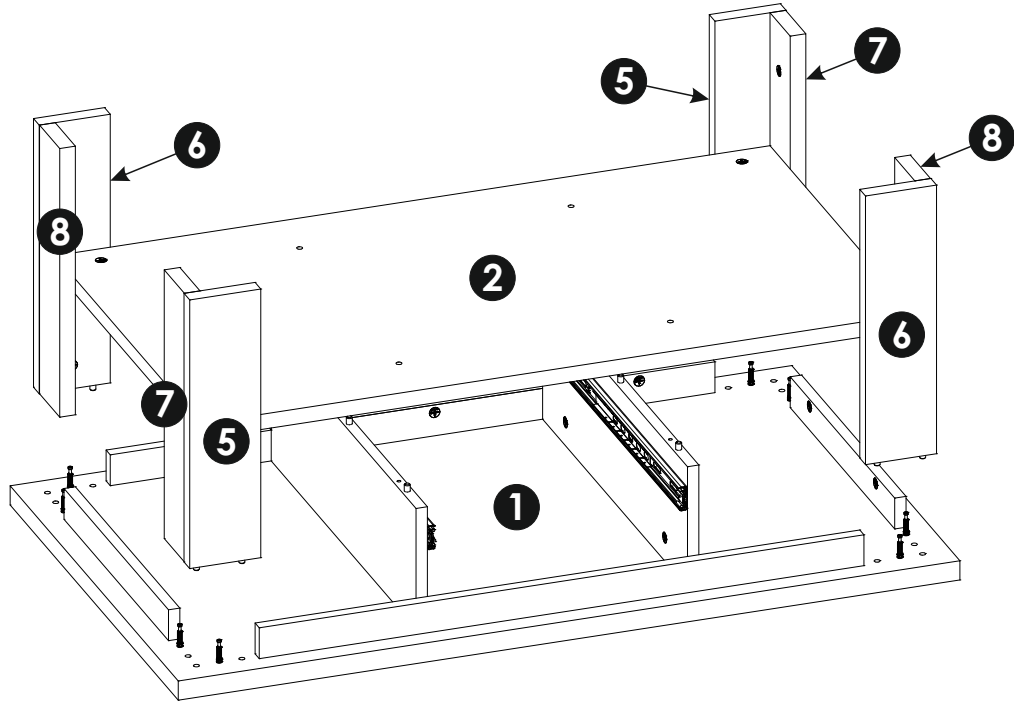
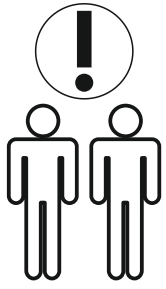
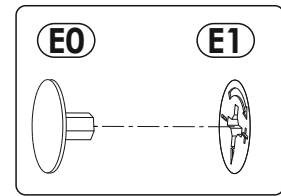
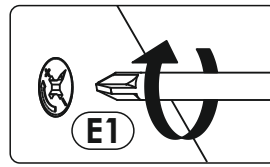
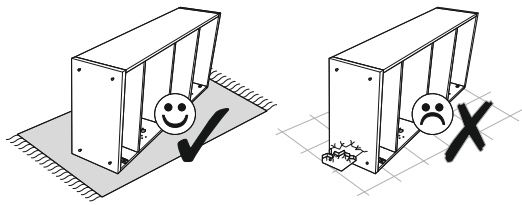
17▶



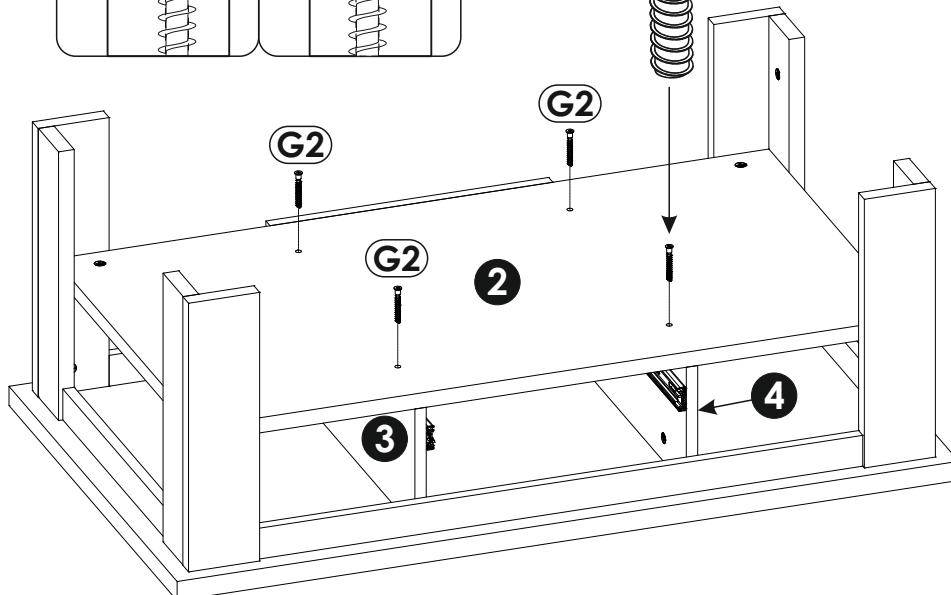
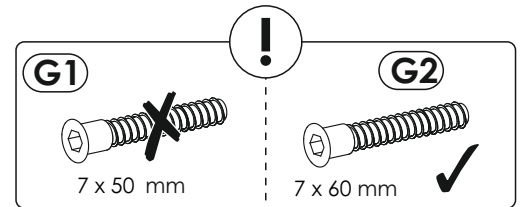
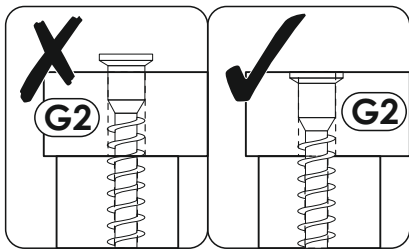
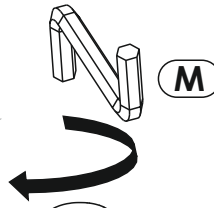
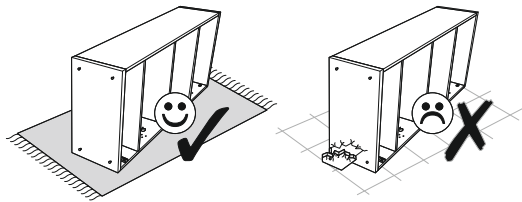
18▶



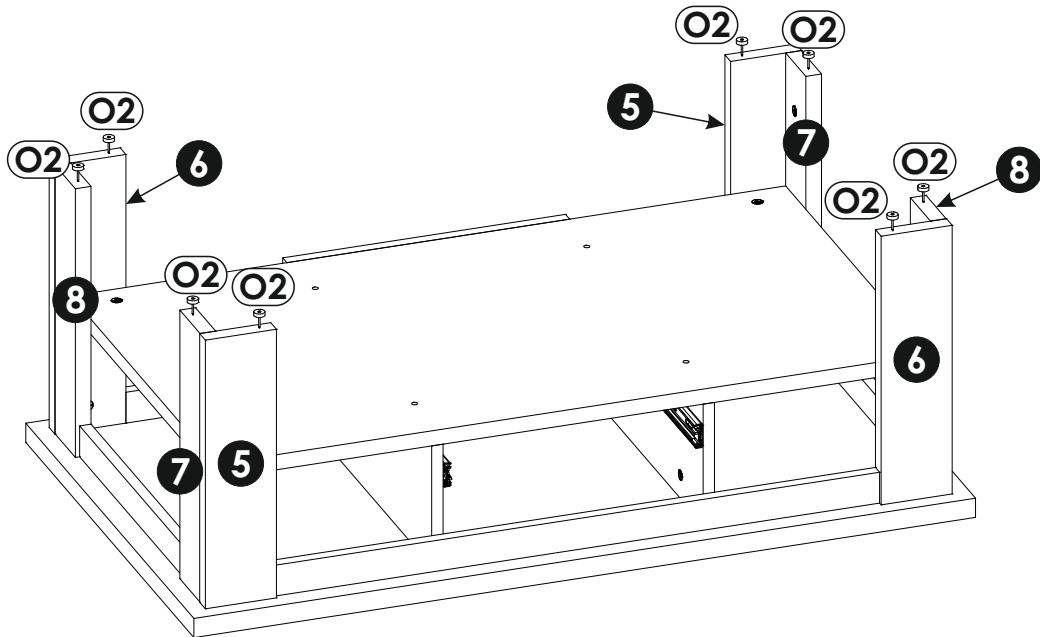
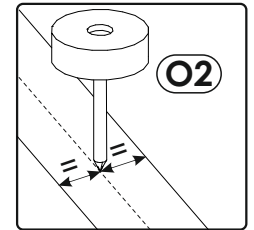
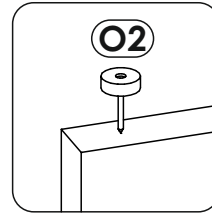
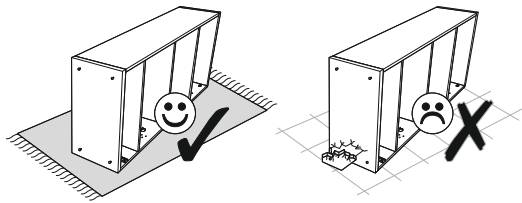
19 ▶



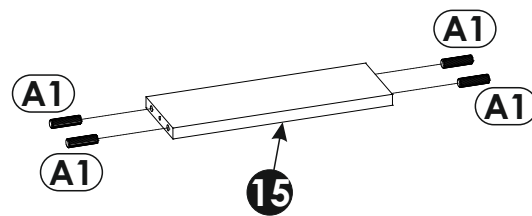
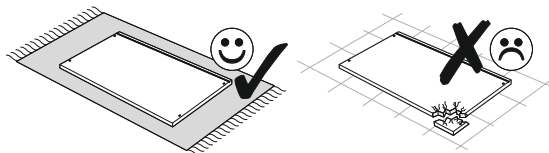
20 ▶

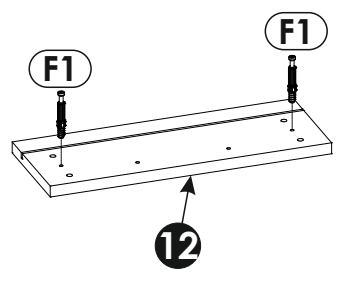
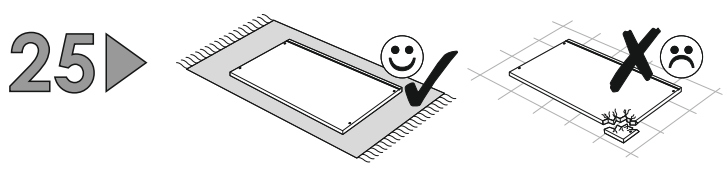
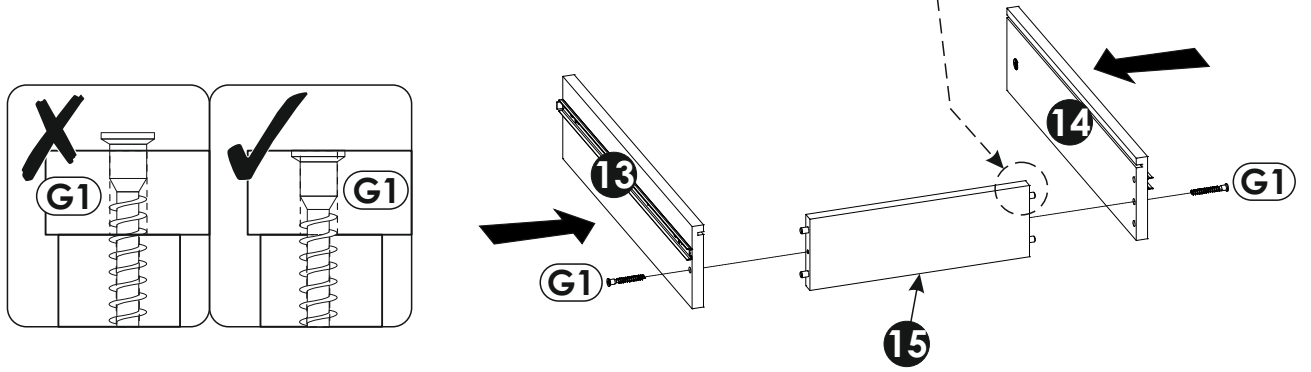
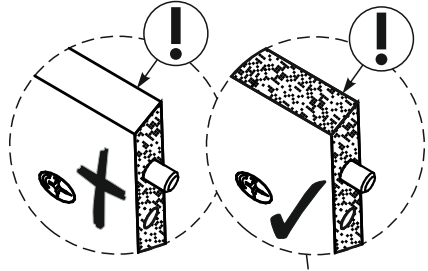
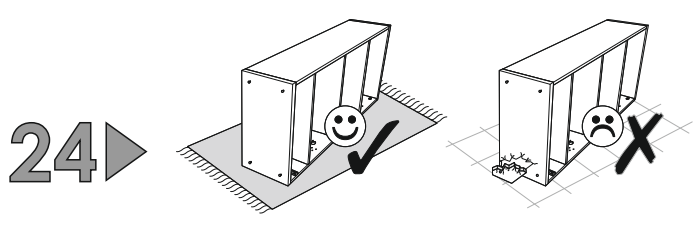
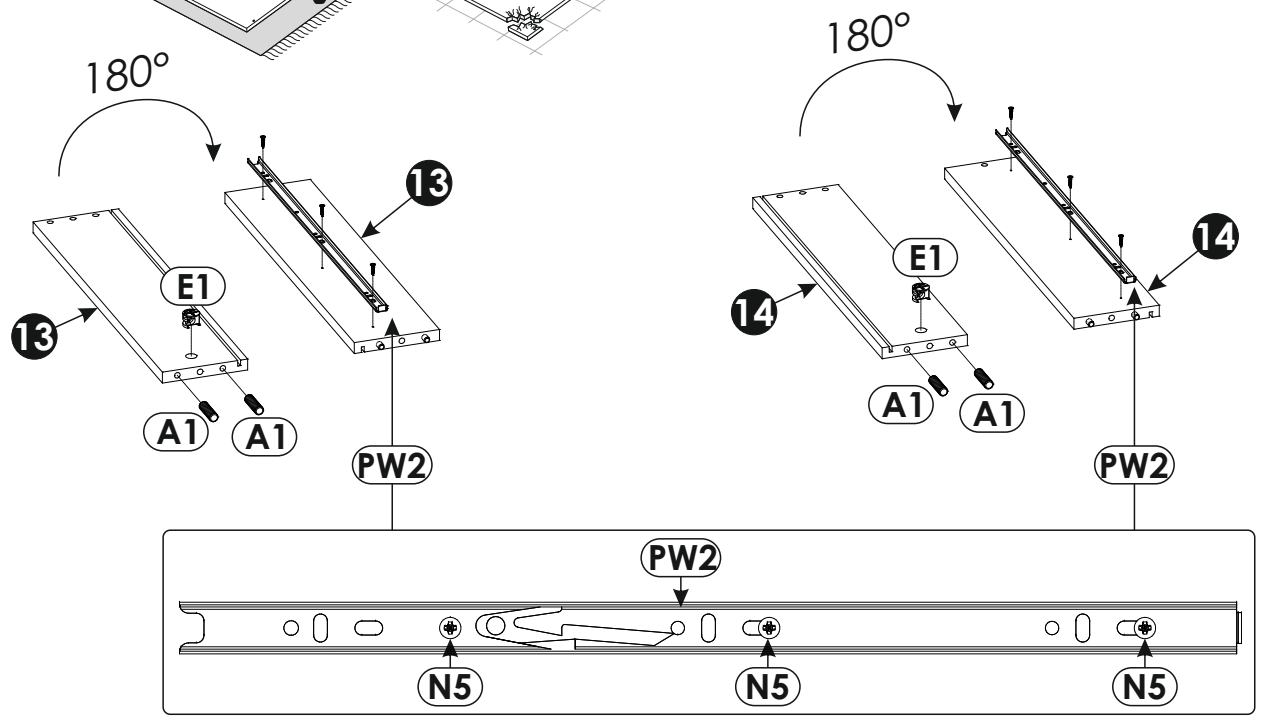
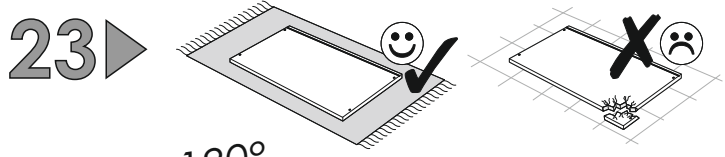


21 ▶

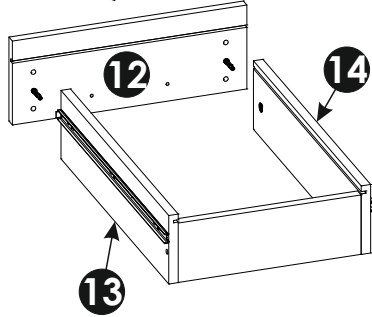
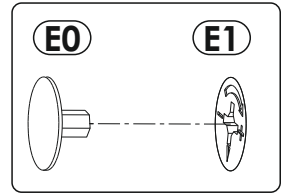
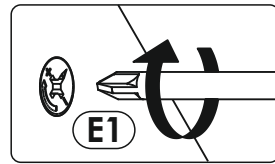
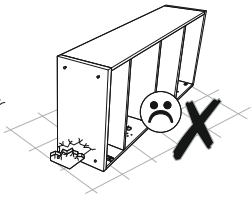
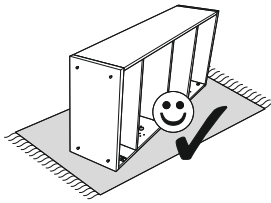


22 ▶

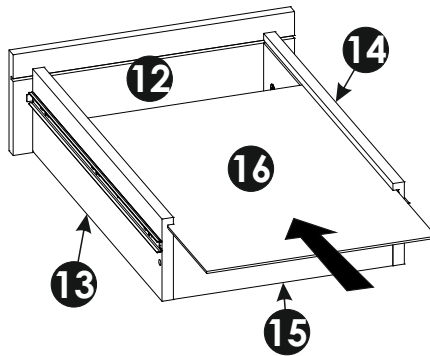
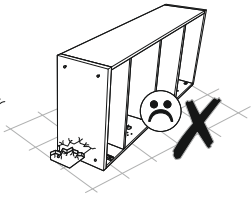
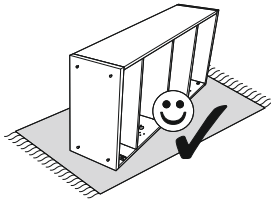




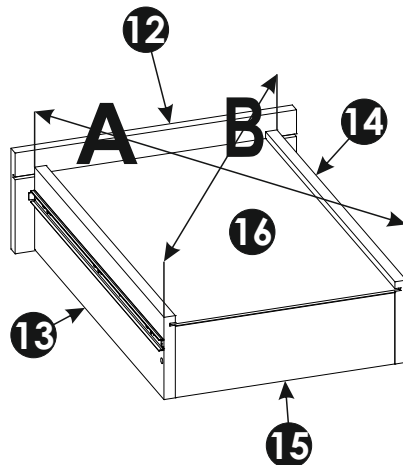
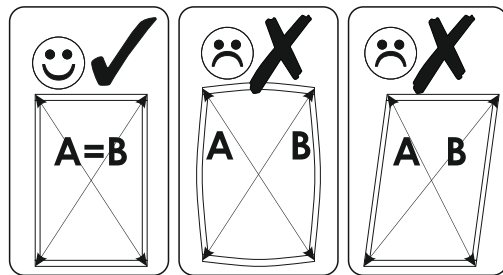
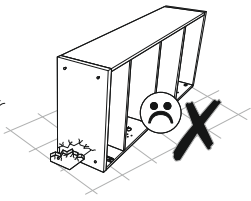
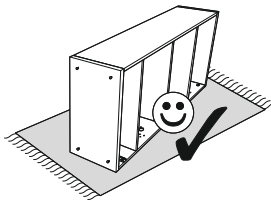
26 ▶



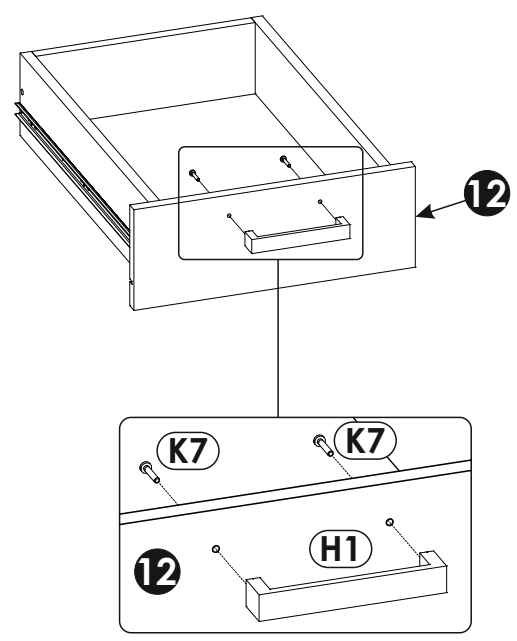
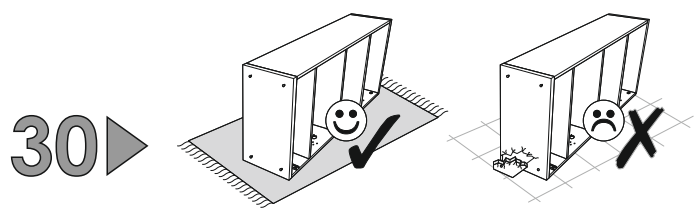
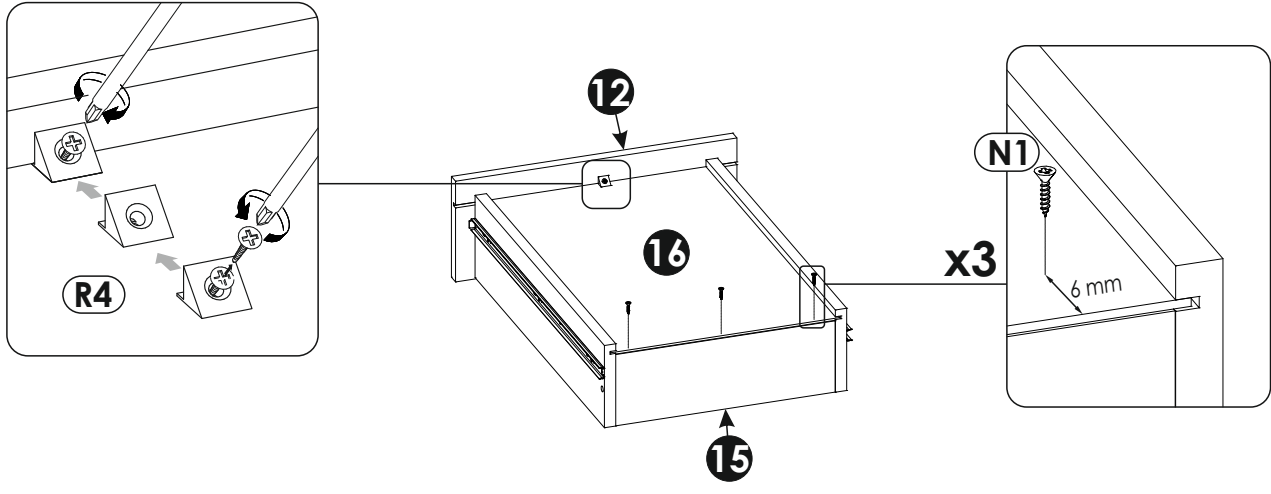
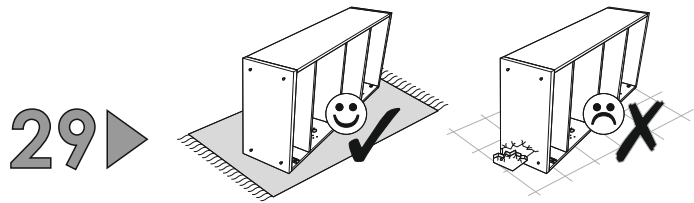
27 ▶



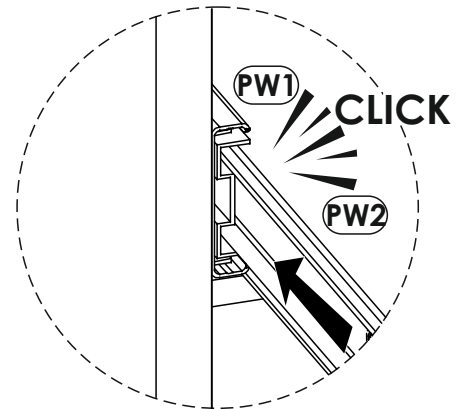
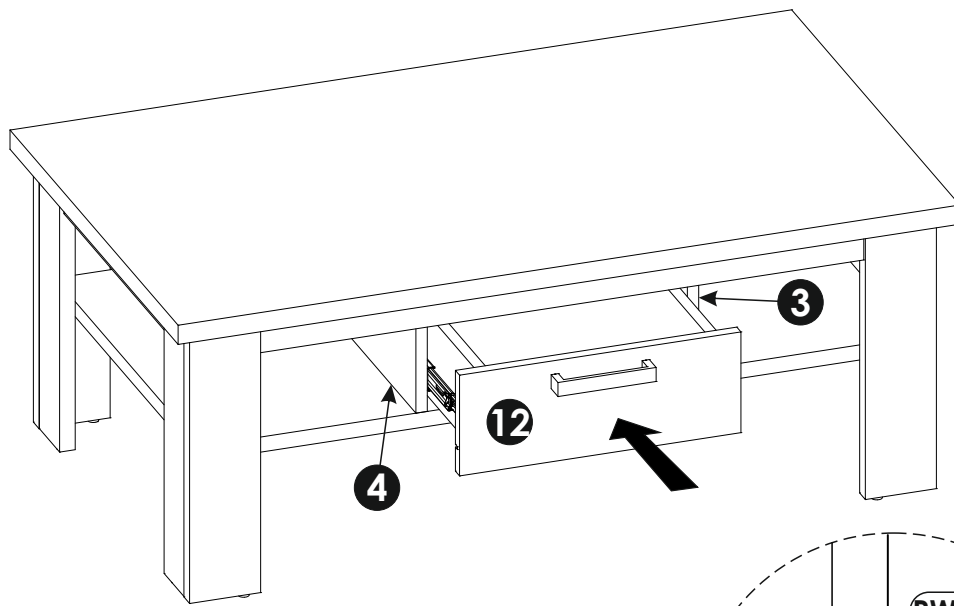
28 ▶



A=B



31 ▶



32 ▶

