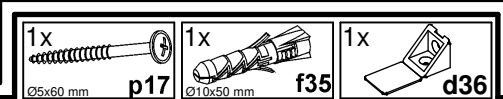
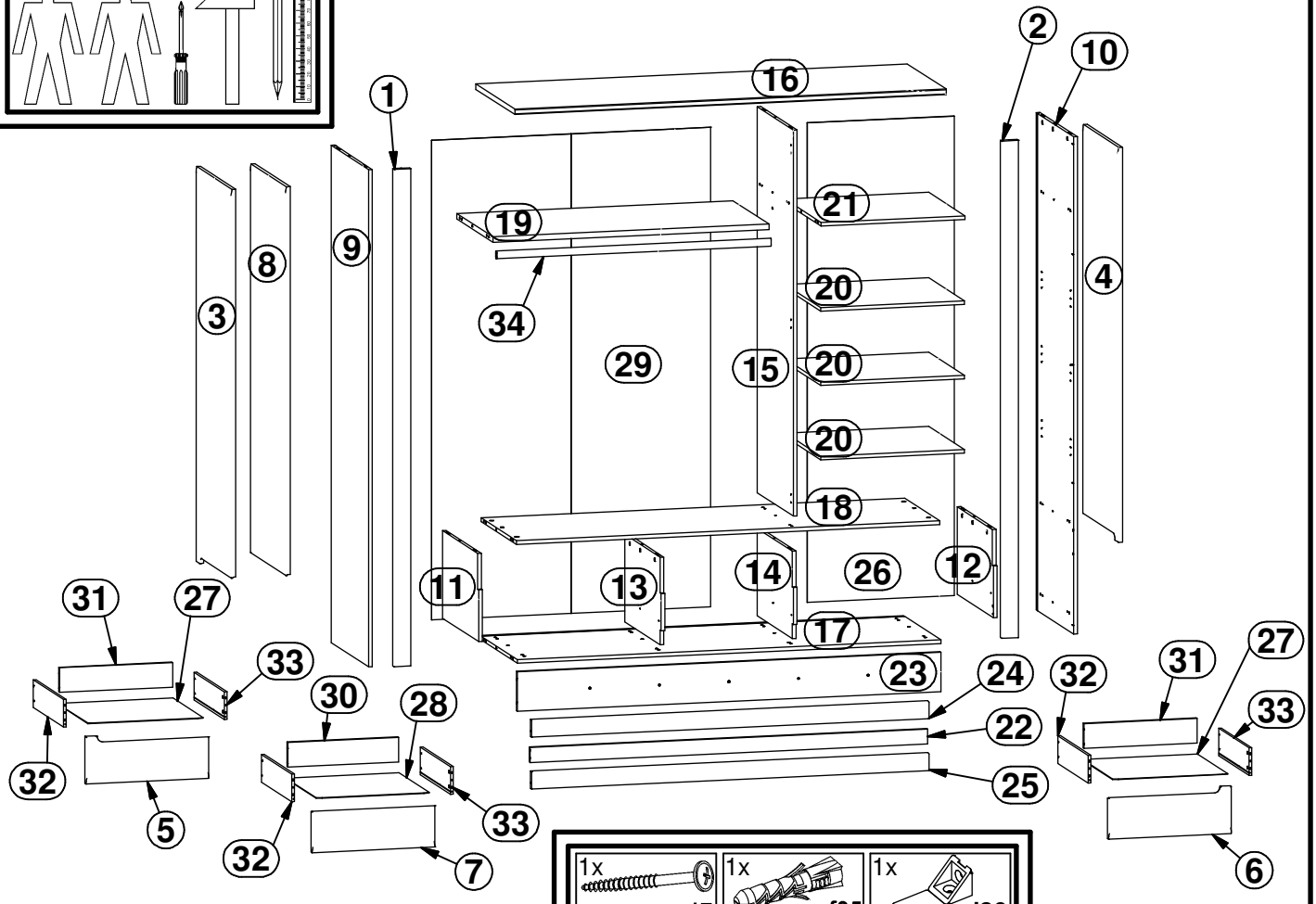
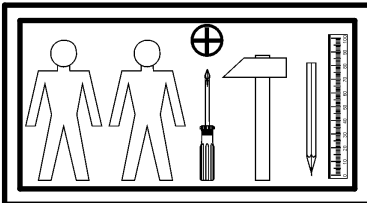
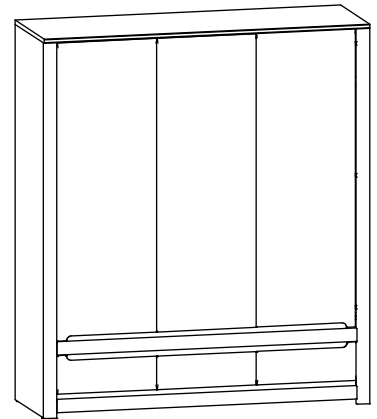
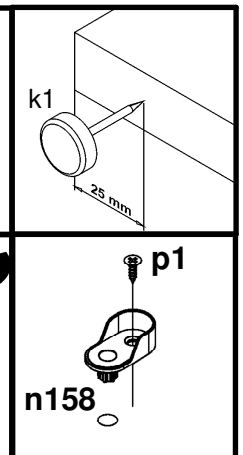
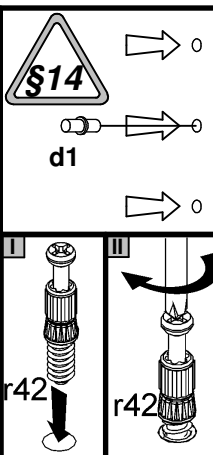
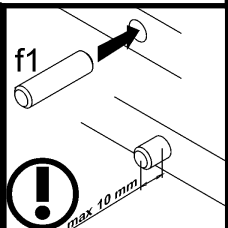
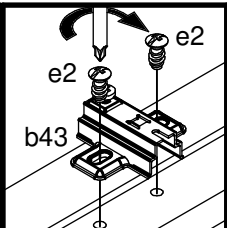
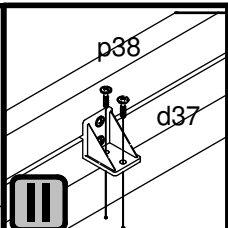
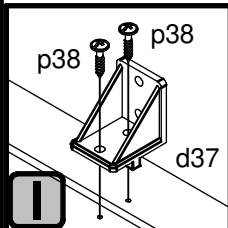
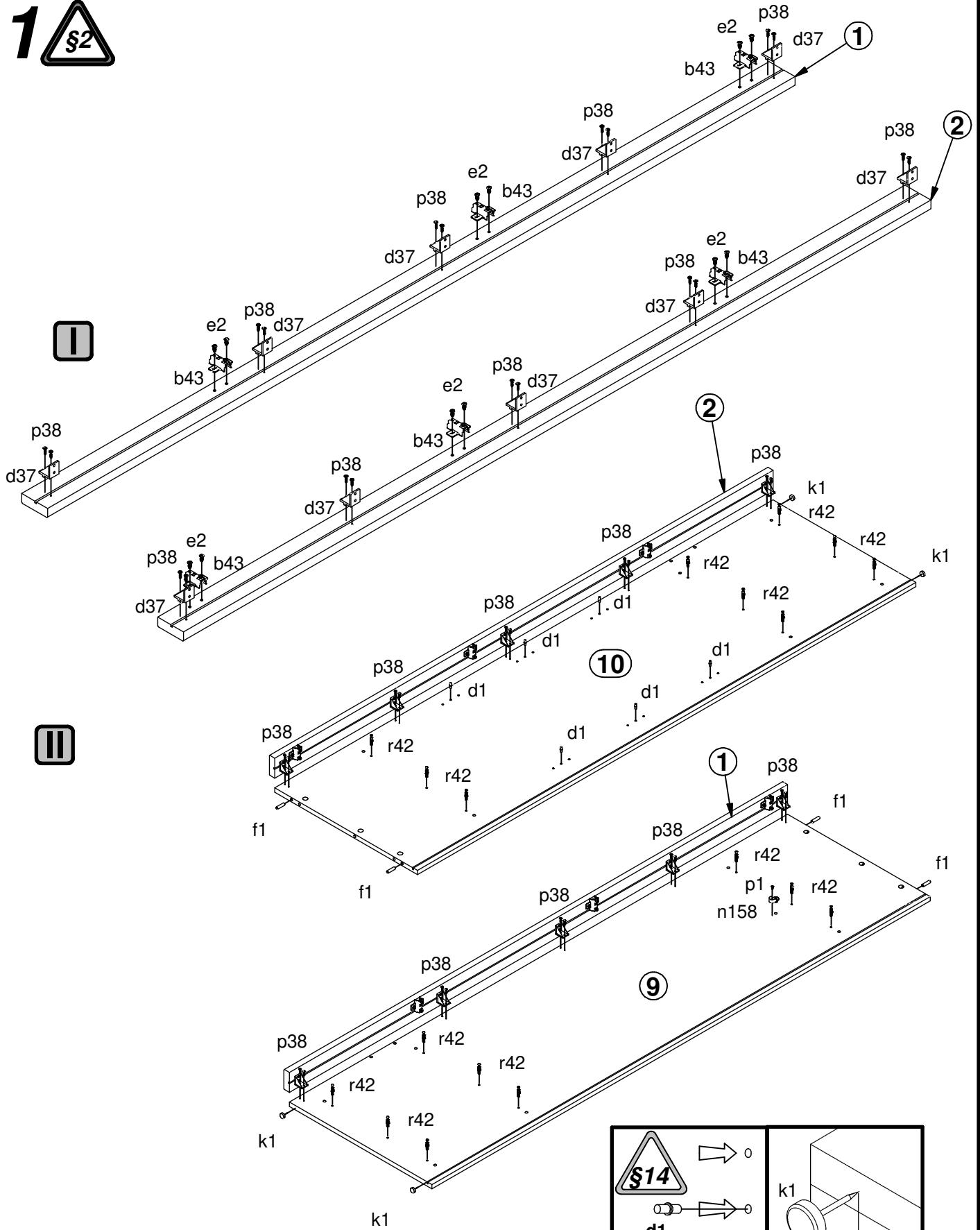


A	B	C	D	A	B	C	D		
1	S404-5024/A	2018	70	1/6	18	S407-3004	1753	543	6/6
2	S404-5025/A	2018	70	1/6	19	S407-3005	1142,5	558	3/6
3	S407-0024	1603	544	5/6	20	S407-3006	594,5	550	4/6
4	S407-0025	1603	544	5/6	21	S407-3007	595,5	558	3/6
5	S407-0026	544	205	5/6	22	S407-4005	1645	60	2/6
6	S407-0027	544	205	5/6	23	S407-4006	1753	160	2/6
7	S407-0028	544	180	5/6	24	S407-5008	1644	70	2/6
8	S407-0029	1578	544	6/6	25	S407-5009	1644	70	2/6
9	S407-1007	2018	578	1/6	26	S407-9004	1946	608	1/6
10	S407-1008	2018	578	1/6	27	S407-9005	511	505	4/6
11	S407-1009	355	558	3/6	28	S407-9006	502	505	4/6
12	S407-1010	355	558	3/6	29	S407-9301	1946	1155	1/6
13	S407-1011	355	558	3/6	30	ZQ2-1575	492	107	4/6
14	S407-1012	355	558	3/6	31	ZQ2-1576	501	107	4/6
15	S407-1013	1566	558	3/6	32	ZQ3-529	500	120	4/6
16	S407-2002	1785	604	2/6	33	ZQ3-530	500	120	4/6
17	S407-3003	1753	578	2/6	34	dr-1136	1136	30	1/6

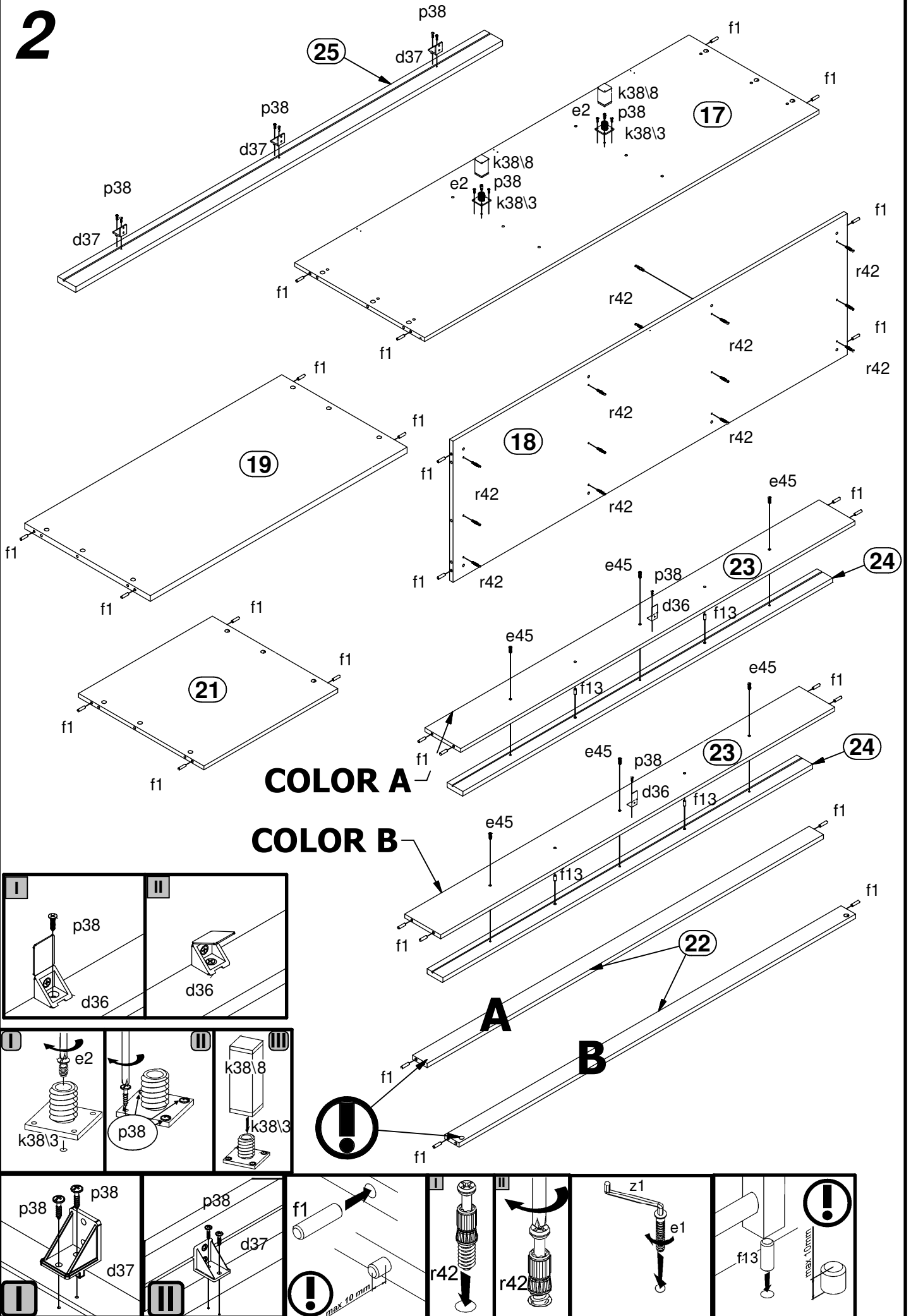


6x a132	3x a133	3x a159	6x b43	3x b78	12x d1	13x d37	12x e1	20x e2
12x e3	3x e45	46x f1	2x f13	12x f25	6x f9	4x k1	2x k38/3	2x k38/8
18x i2	10x n108	2x n158	2x p1	3x p25	3x p35	76x p38	18x p51	34x p55
50x r1	12x r15	62x r42	3x t34	3x w186/L	3x w186/P	1x z1	1x n14/2	33x s68

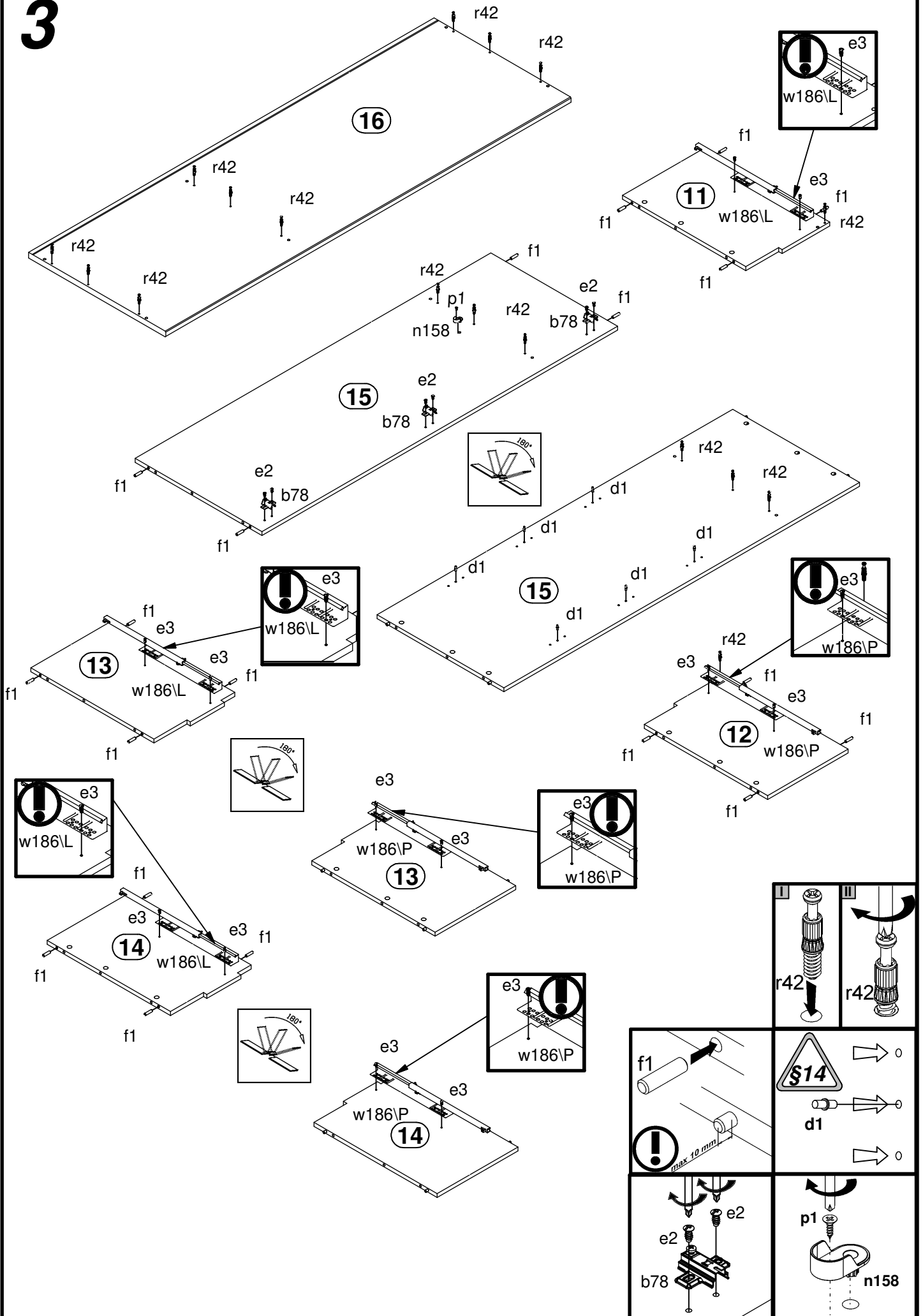
1 



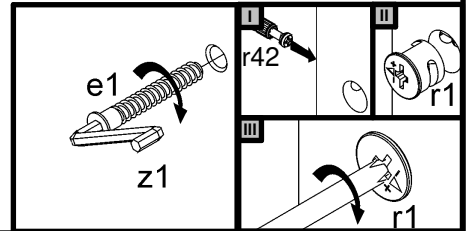
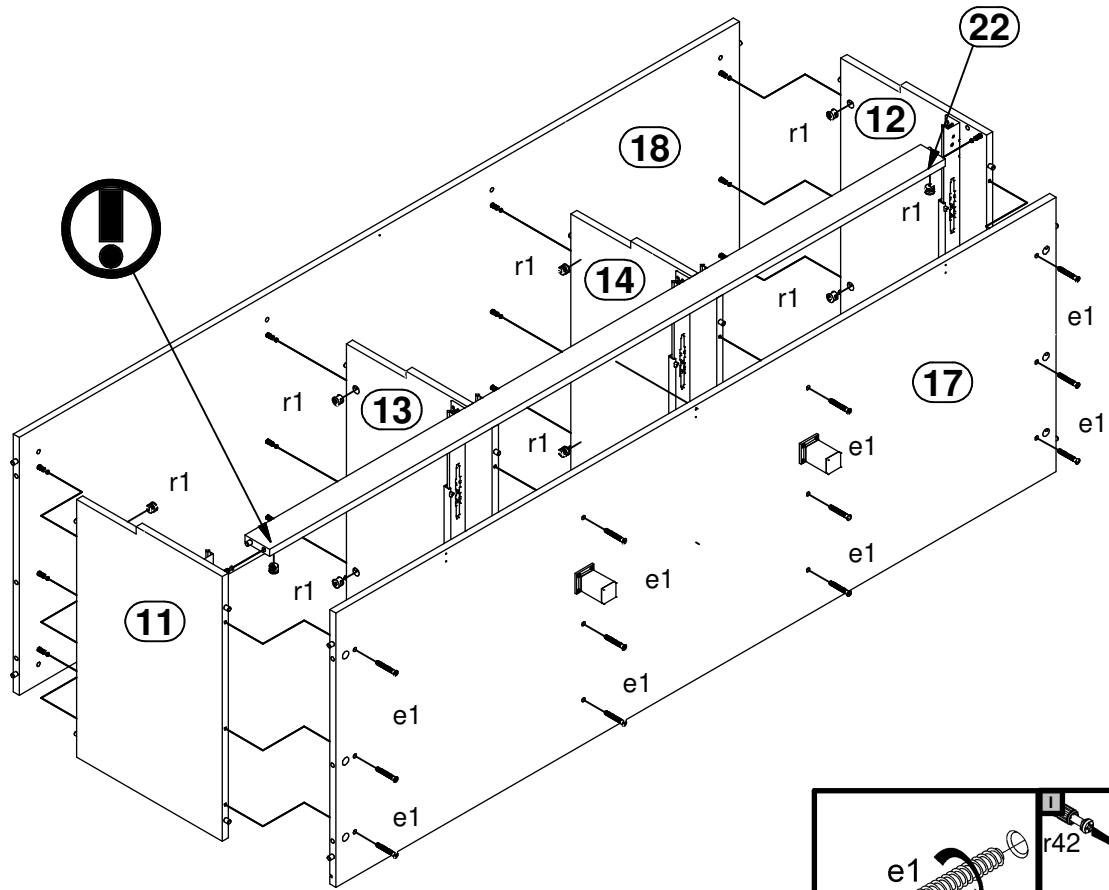
2



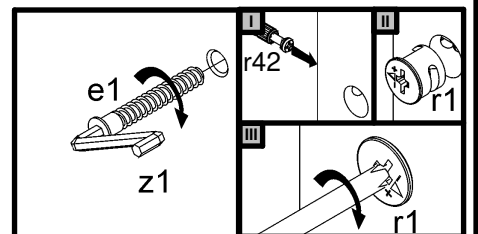
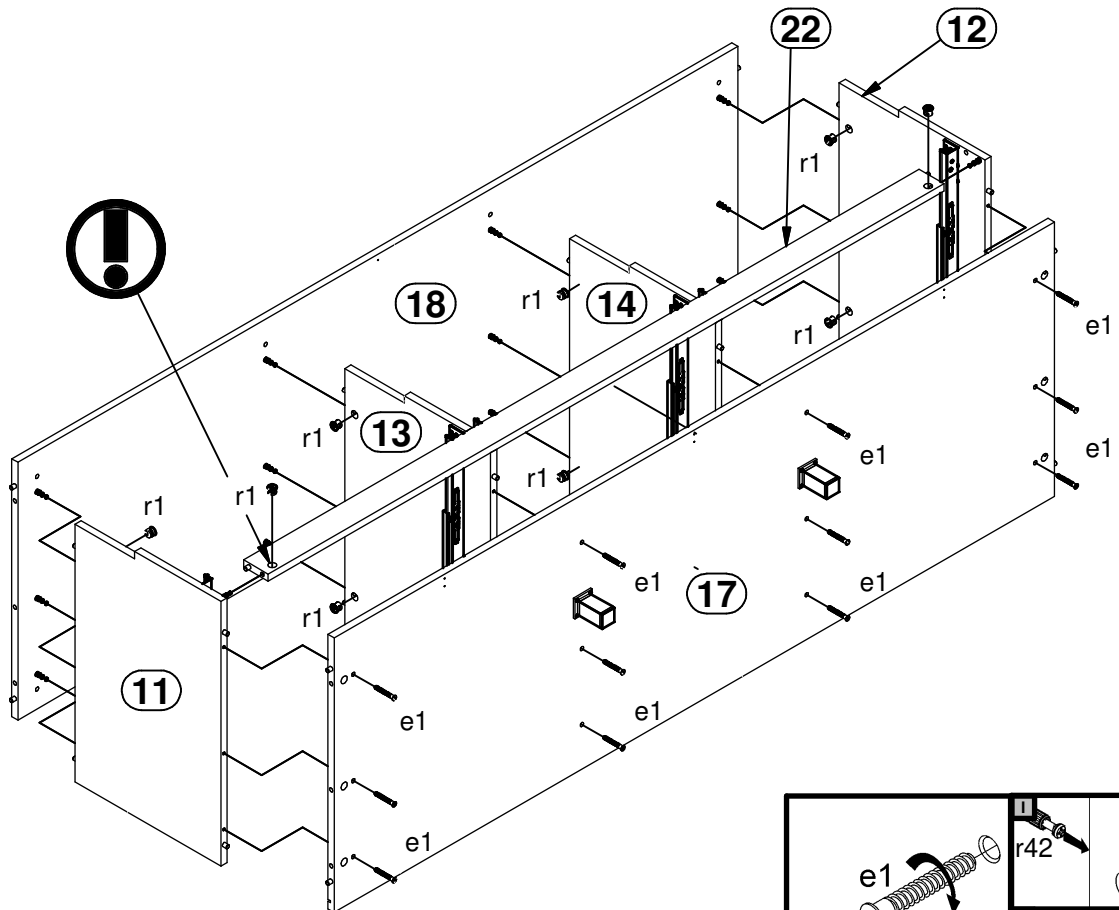
3



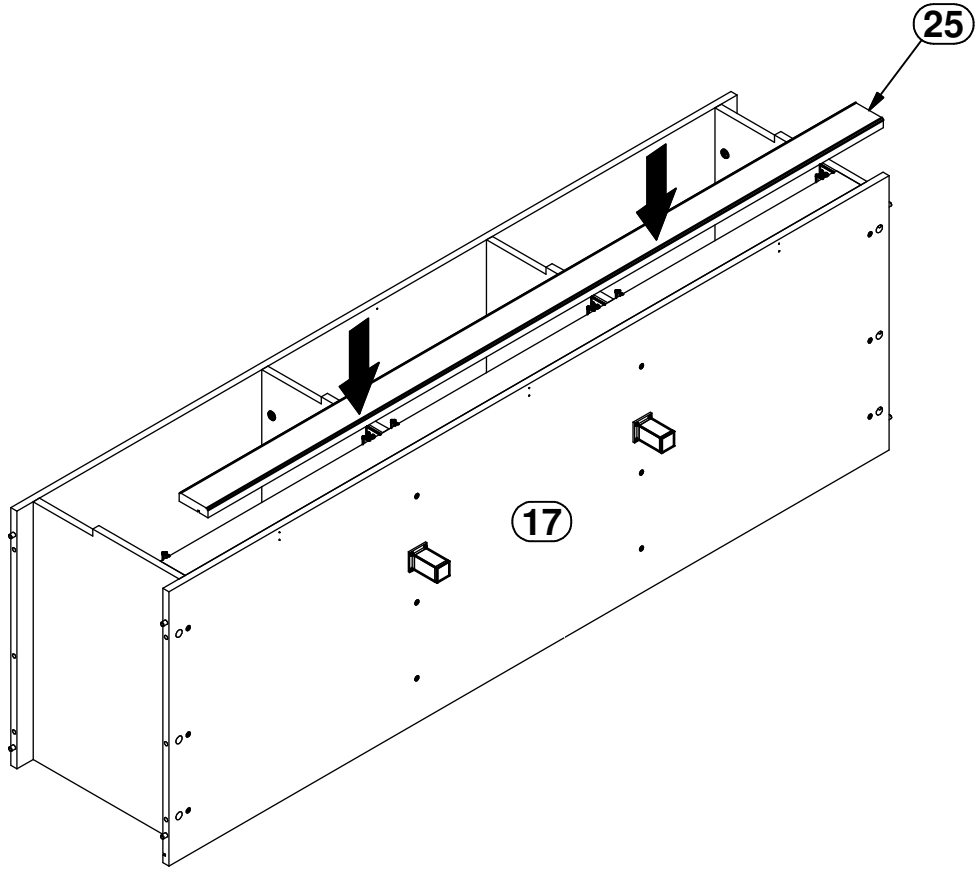
4A



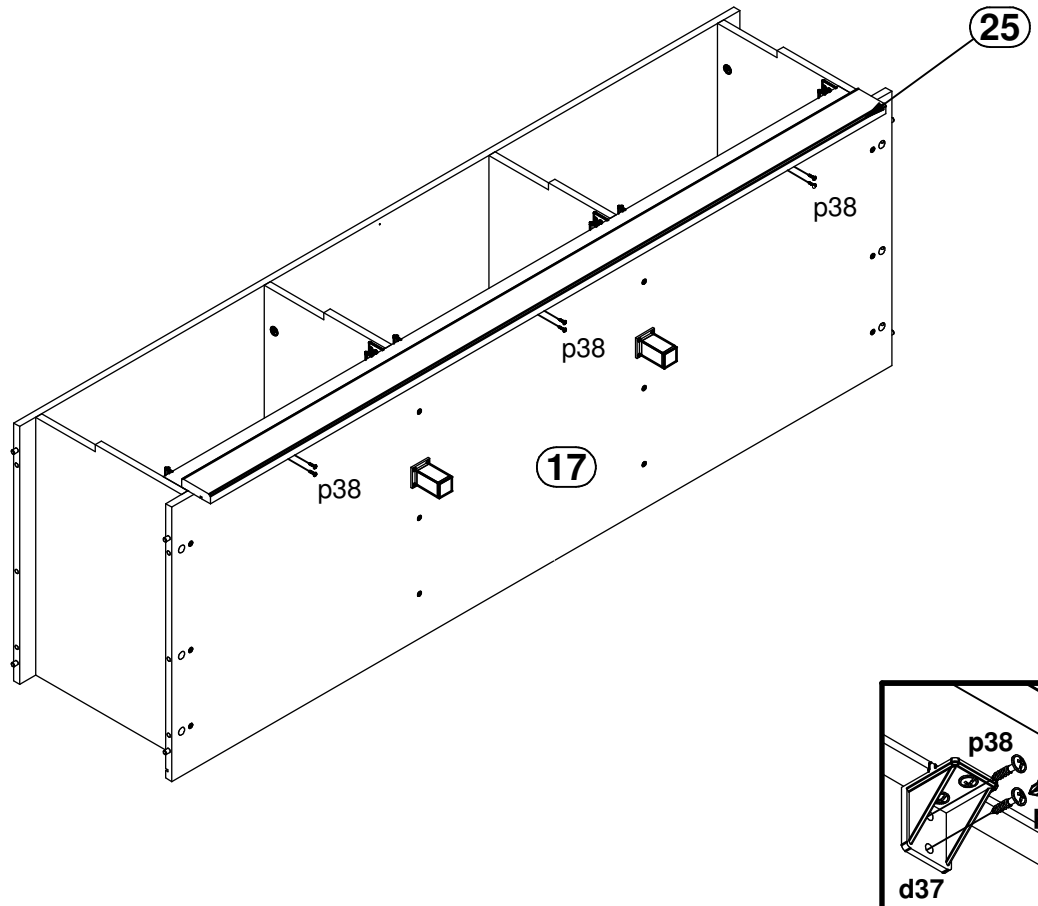
4B



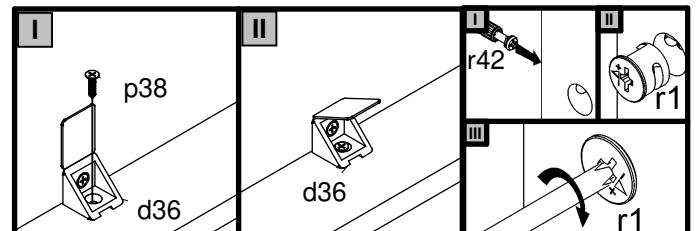
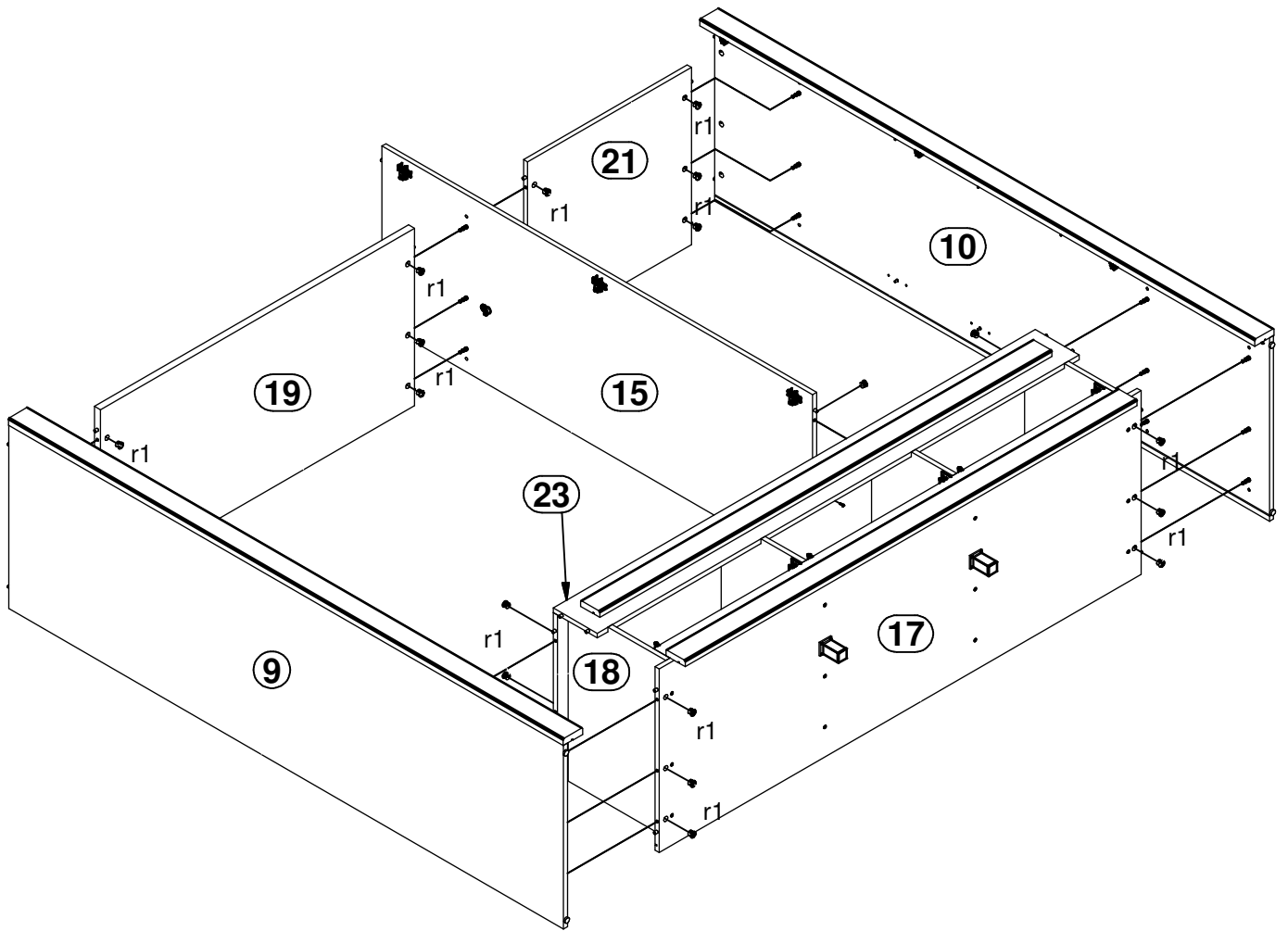
5



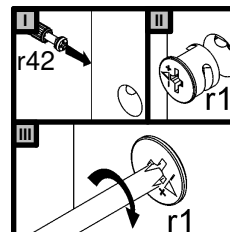
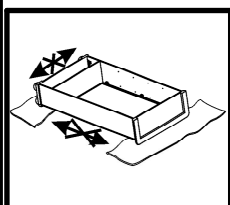
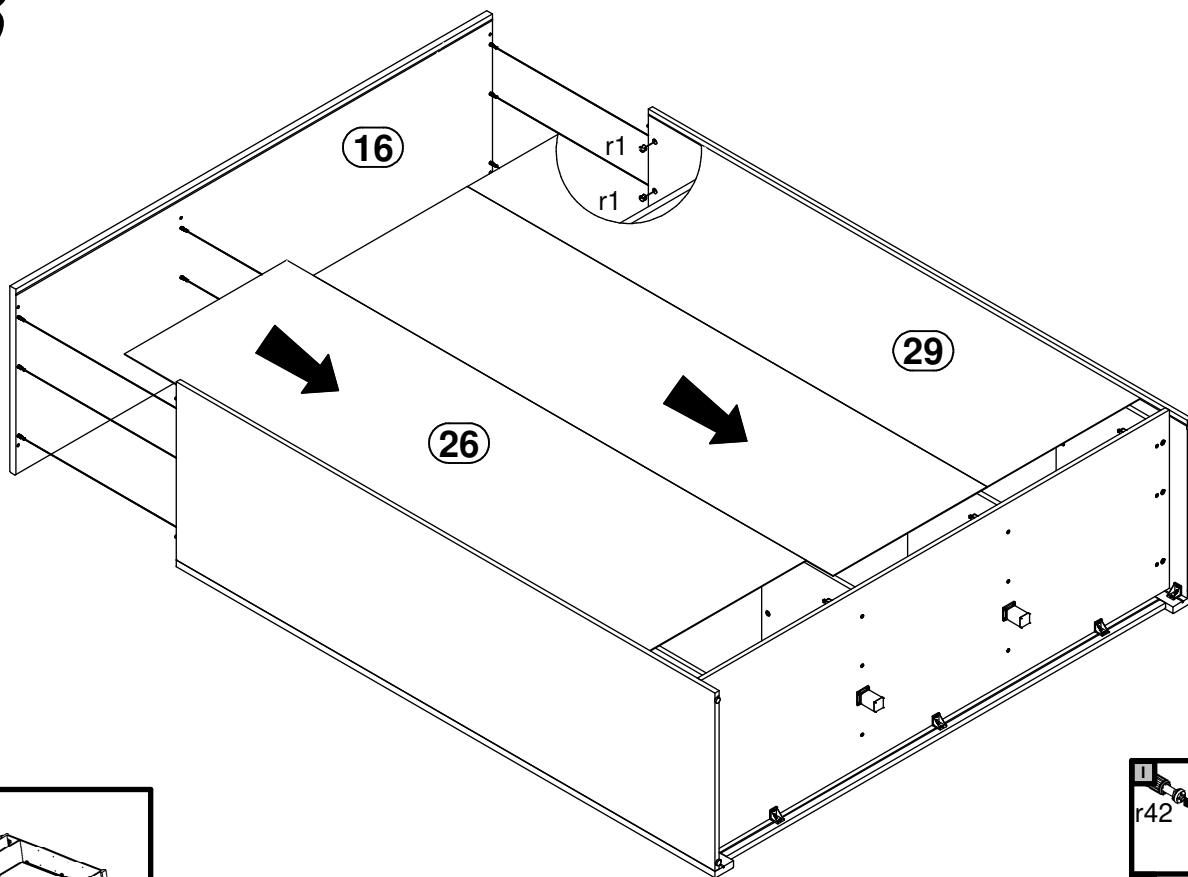
6



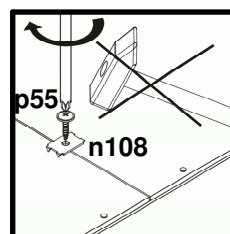
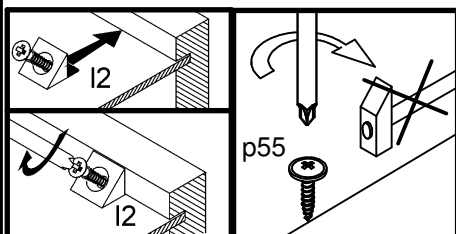
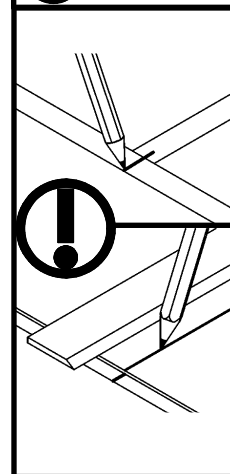
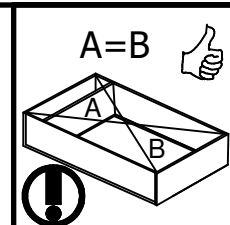
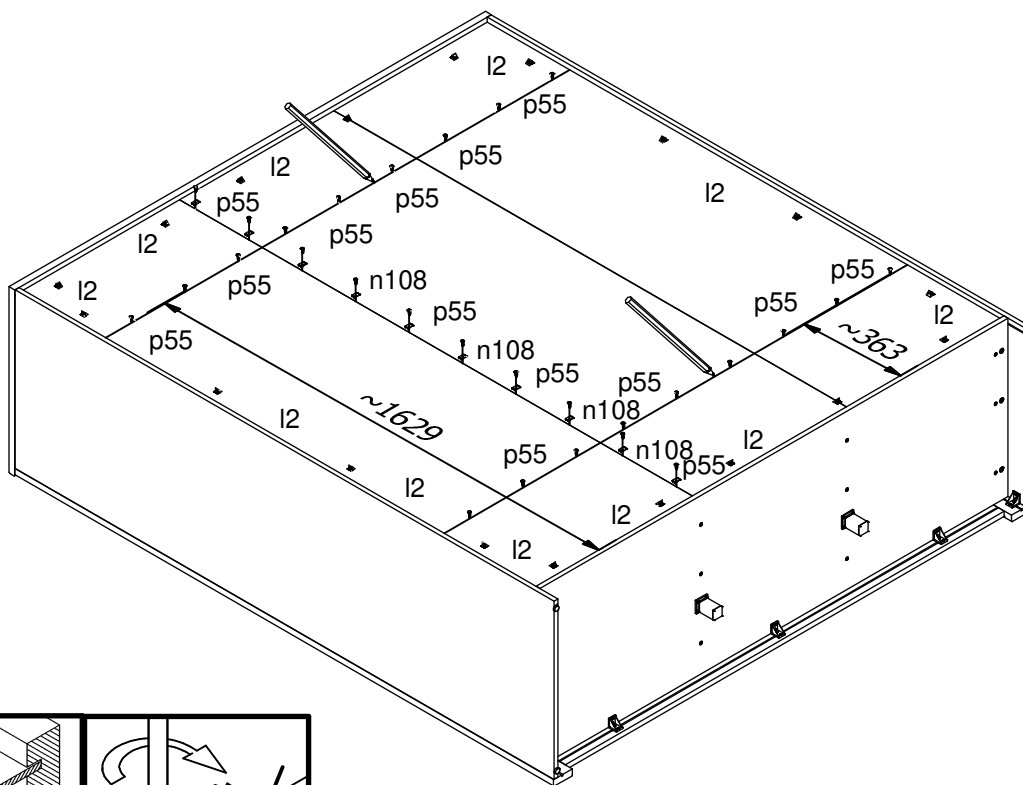
7



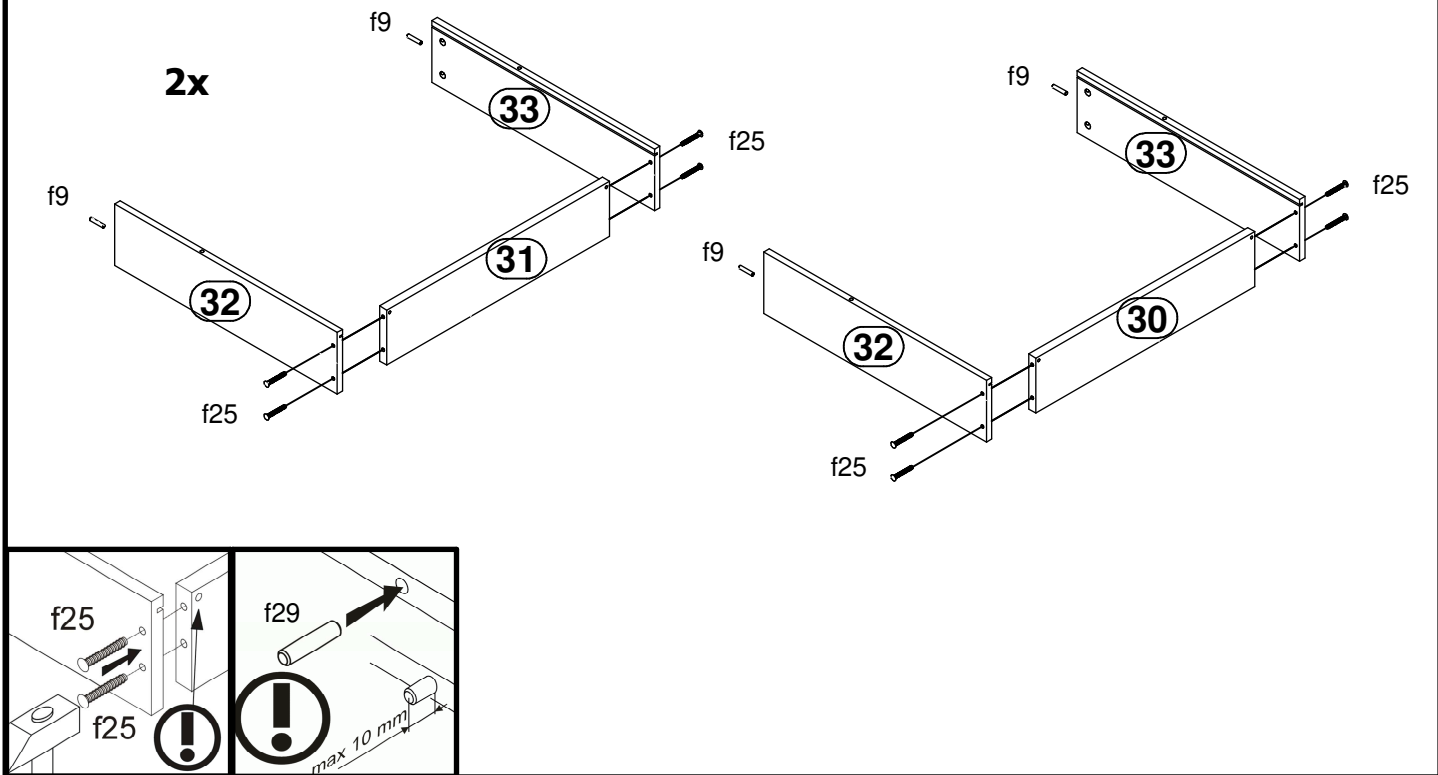
8



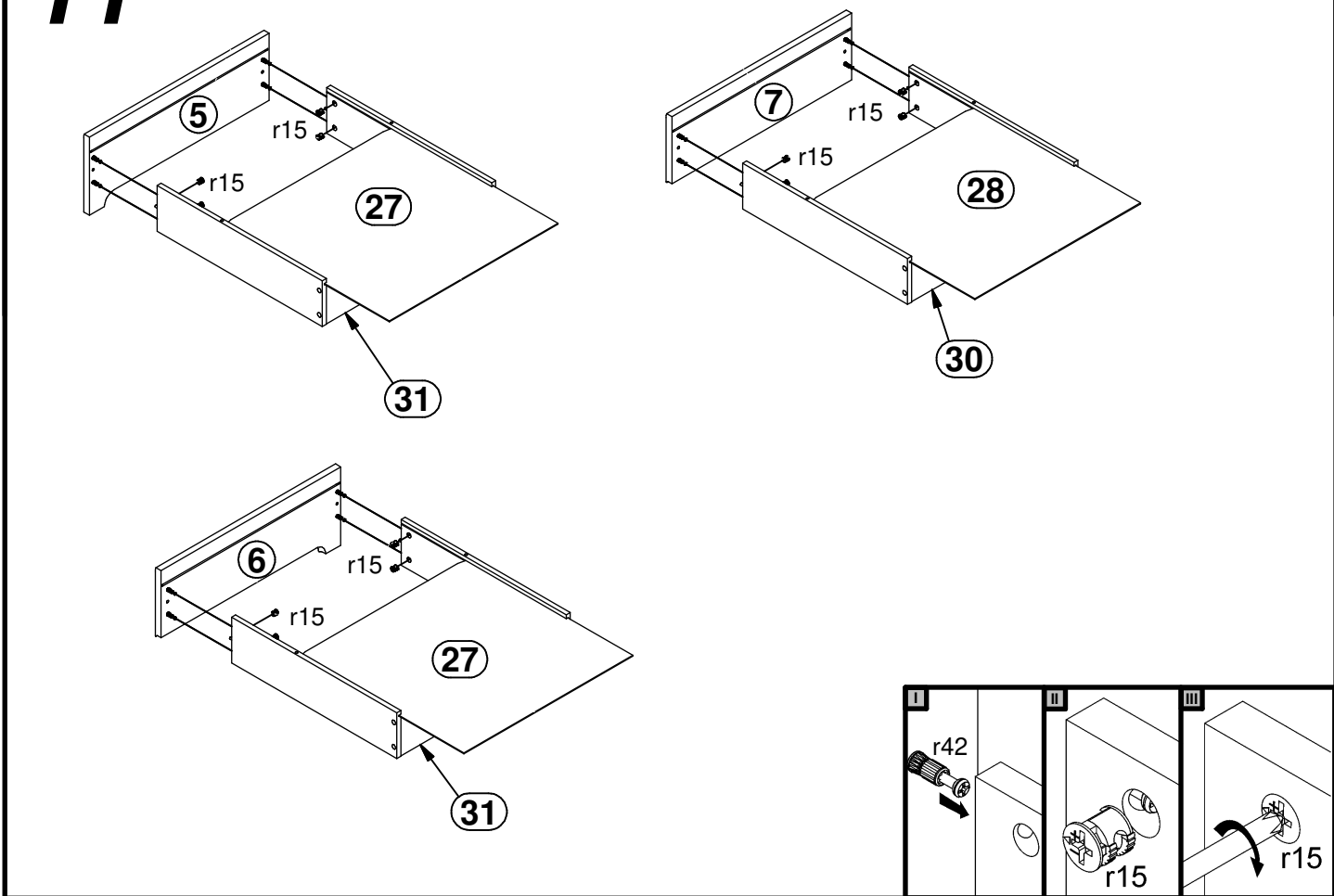
9



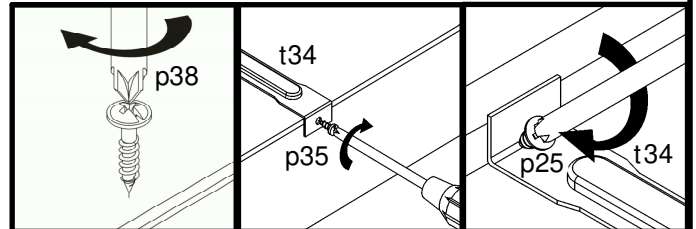
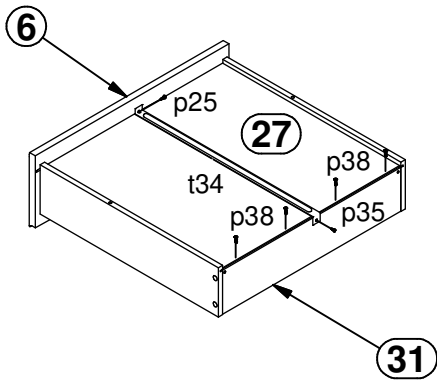
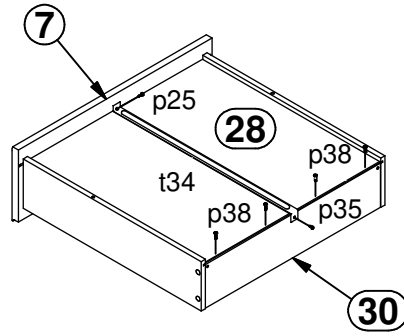
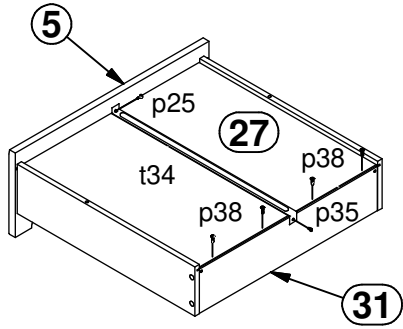
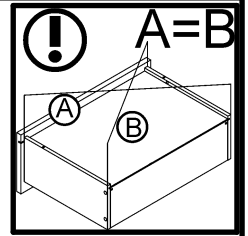
10



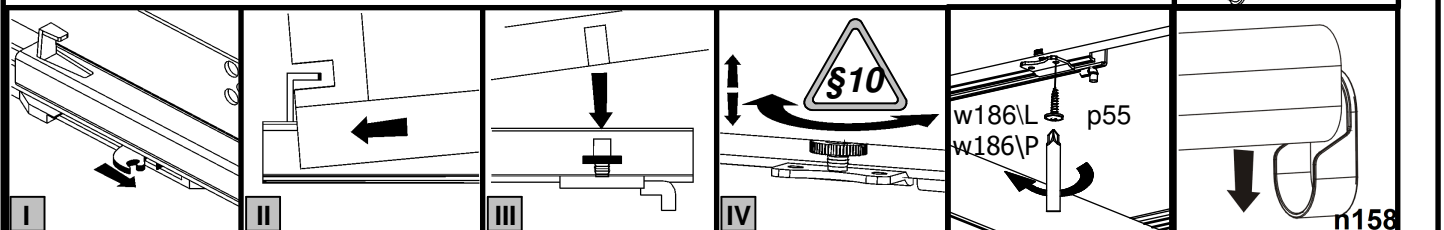
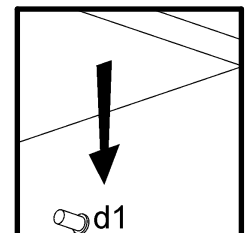
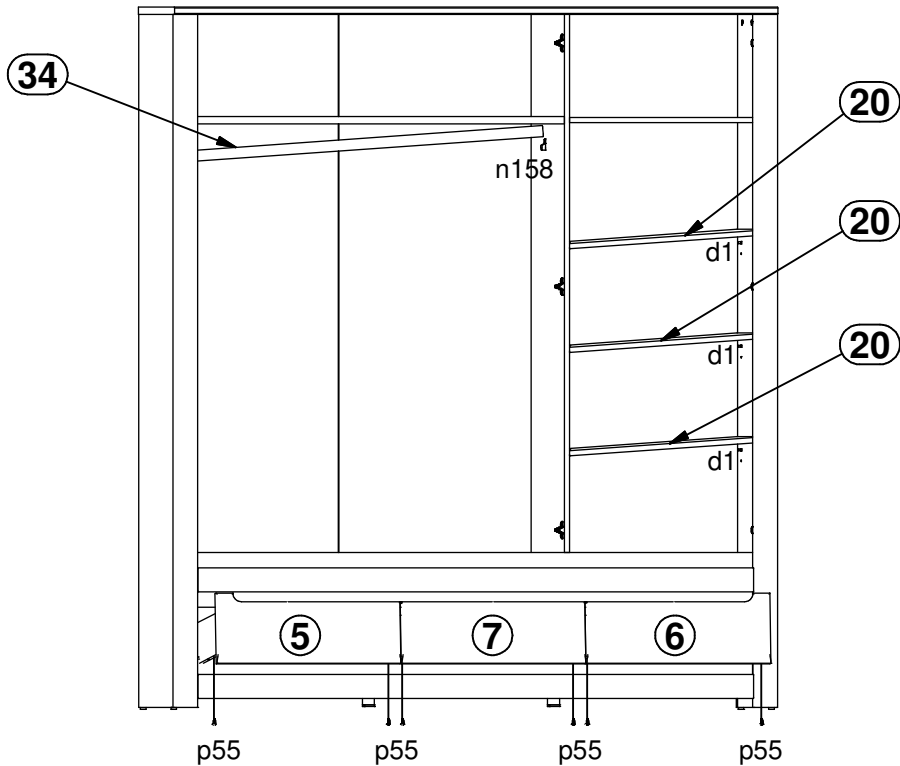
11



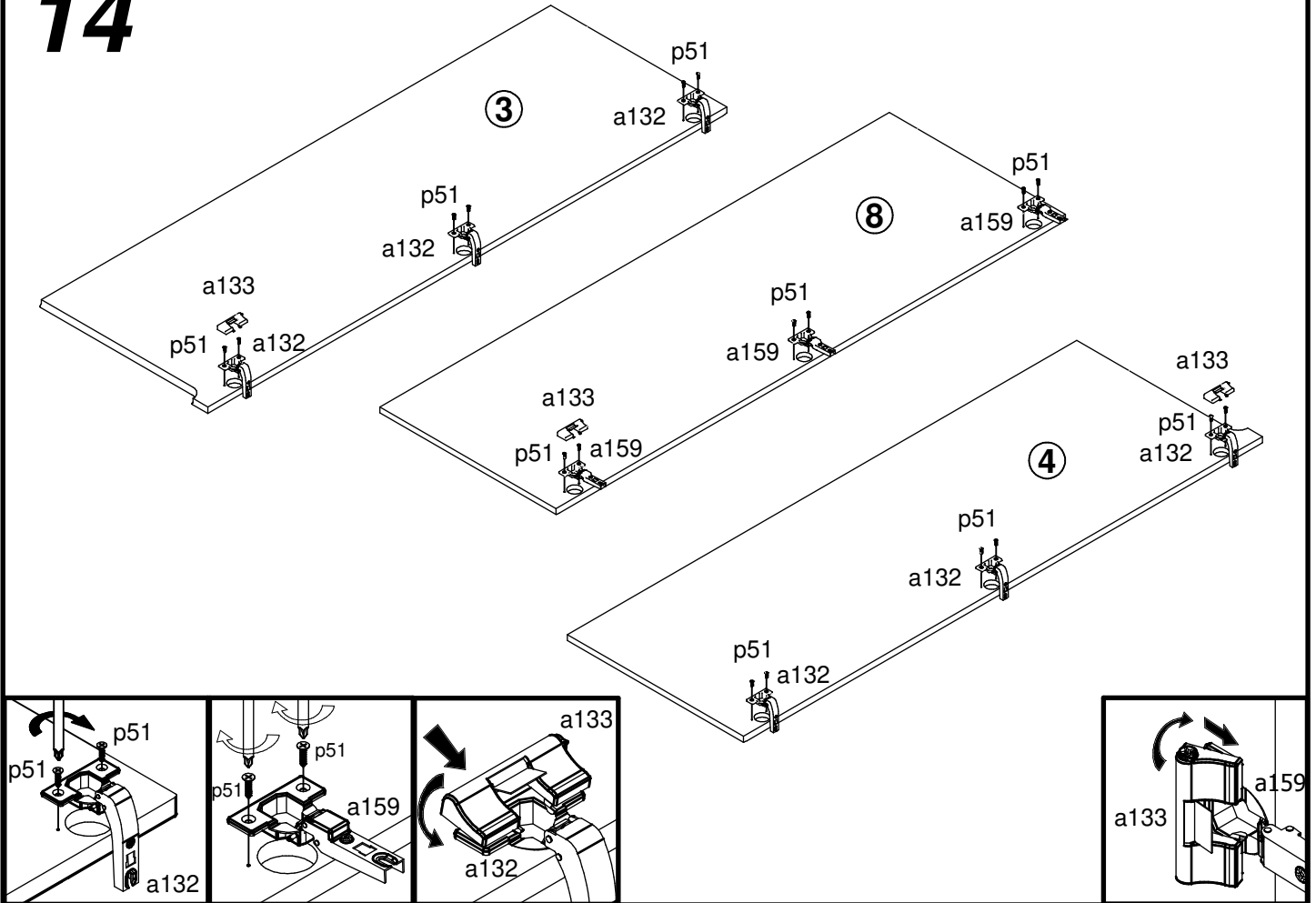
12



13



14



15

