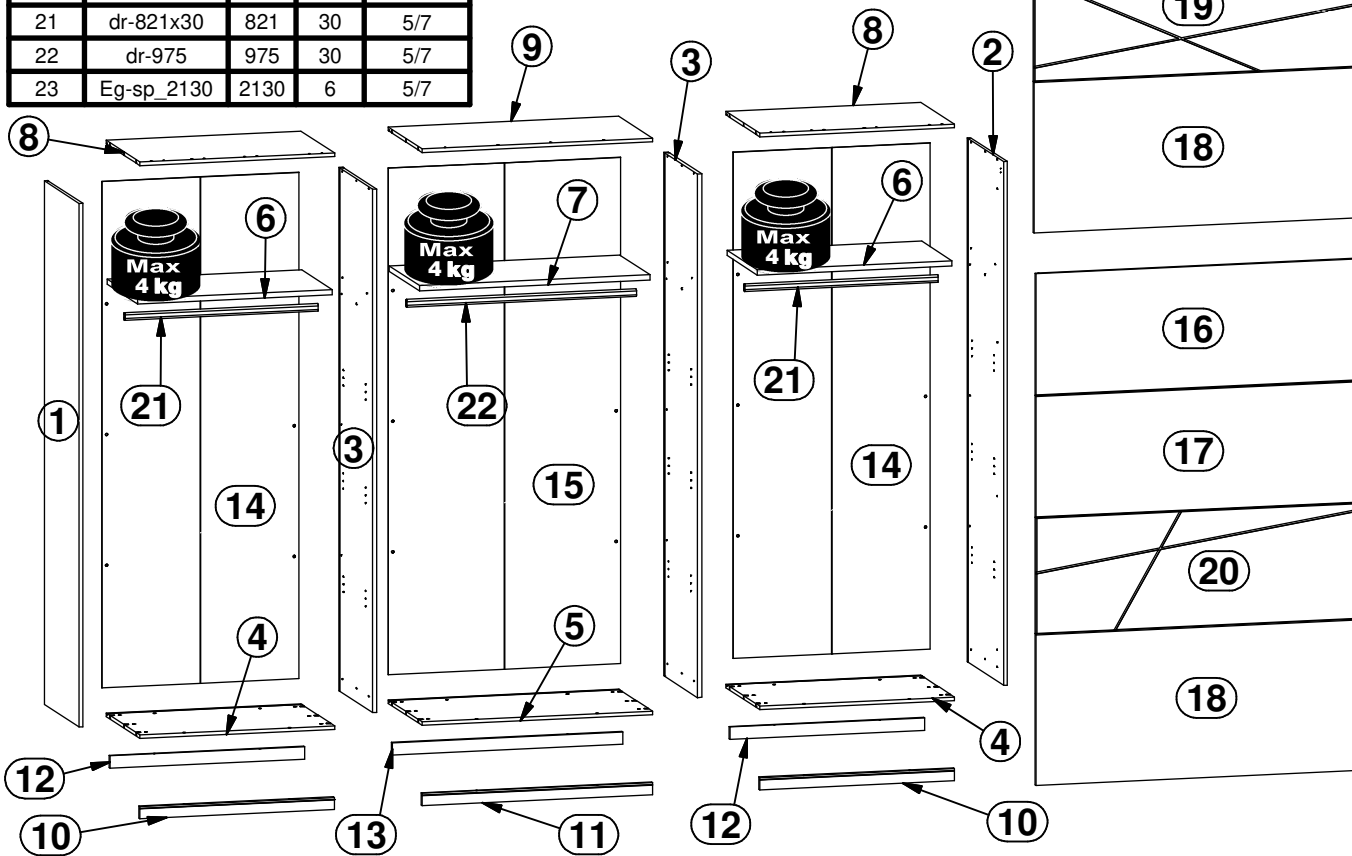
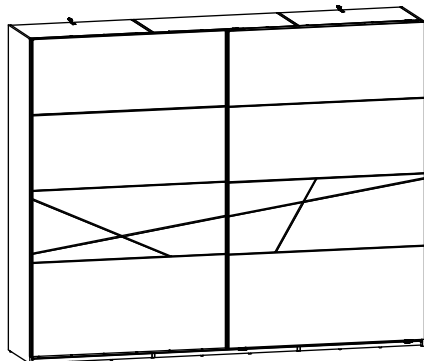
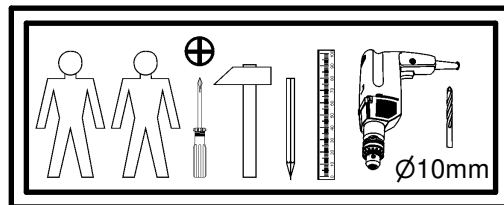
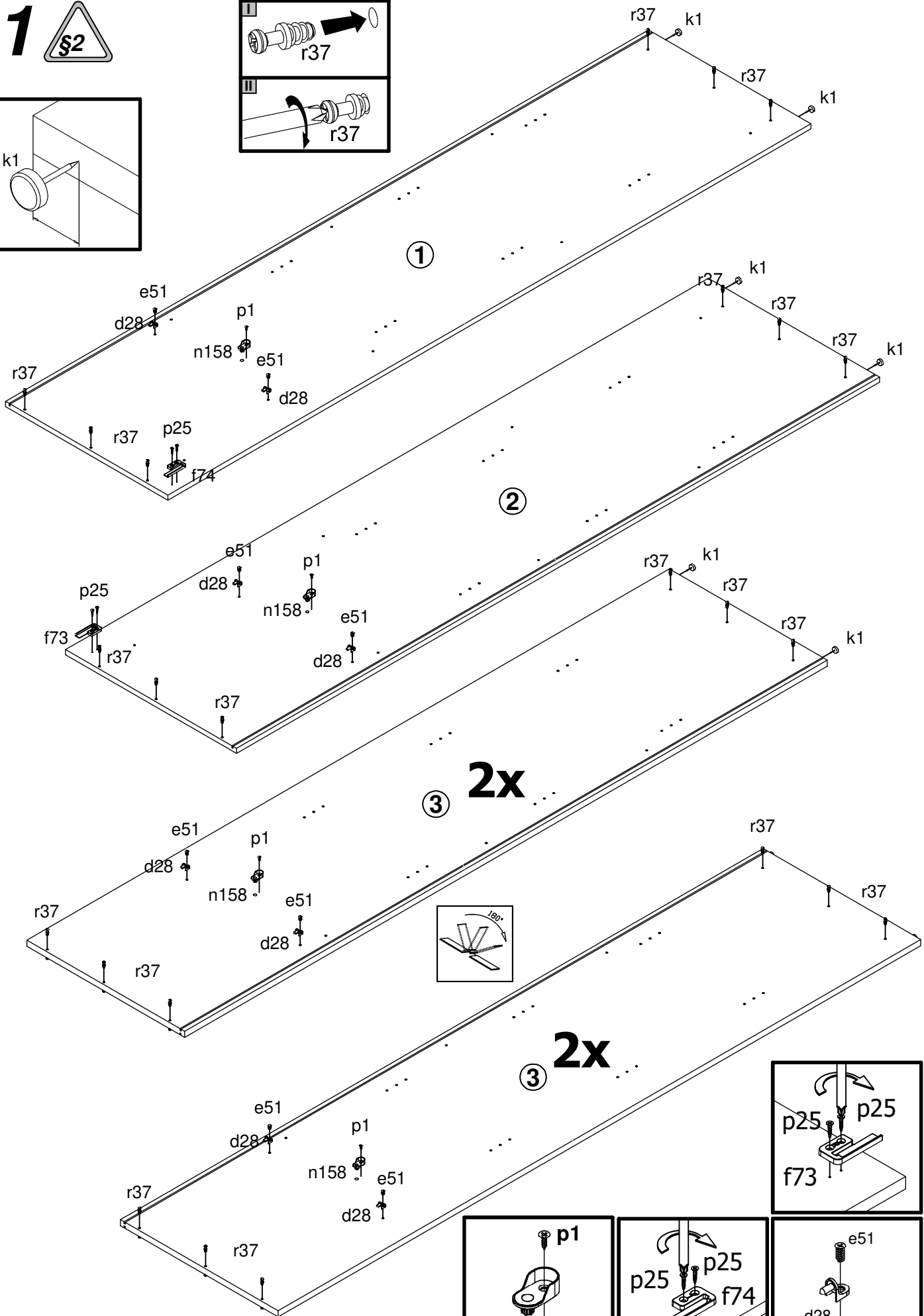
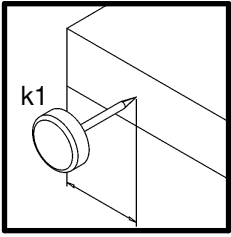
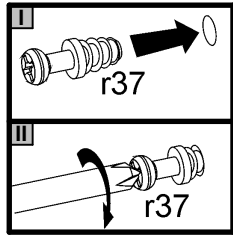


A	B	C	D	
1	L99-1007_A	2180	551	1/7
2	L99-1008_A	2180	580	1/7
3	L99-1009	2179	535	2/7
4	L99-3003	827	535	4/7
5	L99-3004	979	535	4/7
6	L99-3005	827	480	3/7
7	L99-3006	979	480	3/7
8	L99-3009/A	827	535	4/7
9	L99-3010/A	979	535	4/7
10	L99-4010/A	827	51	3/7
11	L99-4011/A	979	51	3/7
12	L99-4012	827	51	3/7
13	L99-4013	979	51	3/7
14	L99-9301	2108	837	1/7
15	L99-9302	2108	987	2/7
16	S471-0036	1364	508	6/7
17	S471-0037	1364	508	6/7
18	S471-0038	1364	630	7/7
19	S471-0039	1364	484	7/7
20	S471-0040	1364	484	7/7
21	dr-821x30	821	30	5/7
22	dr-975	975	30	5/7
23	Eg-sp_2130	2130	6	5/7



24x d20	12x d28	12x e1 Ø7x50 mm	24x e5 Ø6.3x13 mm	24x e50 Ø6.3x10 mm	12x e51 Ø6.3x10 mm	2x f35 Ø10x50 mm	2x f69	2x f70
1x f73	1x f74	4x f77	1x f71	1x f72	2x f75	2x f76	2x j196	13x j106 M4x10 mm
13x j140 Ø5x15 mm	13x j84 M4x5 mm	20x k1	30x l2	8x l63	18x n148 90x50x1,5 mm	2x n14/2 86x21x1,5/1,5	6x n158	1x n240
1x n238/2	1x n239/2	1x n241/2	6x p1 Ø3.5x13 mm	2x p17 Ø5x60 mm	4x p25 Ø3.5x16 mm	4x p38 Ø3.5x16 mm	10x p51 Ø3.5x15 mm	120x p93 Ø4x13 mm
36x r37 6,7/7,8	36x r54 Ø20x12,5 mm	2x s113	12x s59 Ø14x0,5 mm	1x w249/1 L=2668	1x w250/1 L=2664	3x w172/5 L=2130 mm	1x w118/8 L=2130 mm	1x z1 4 mm

1 



①

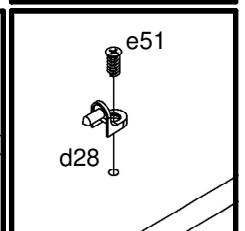
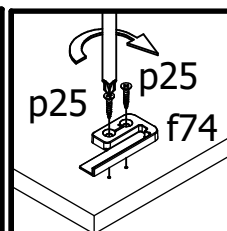
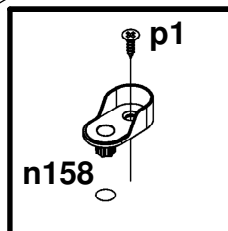
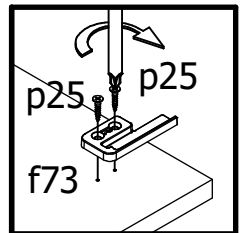
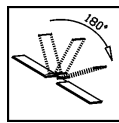
②

③

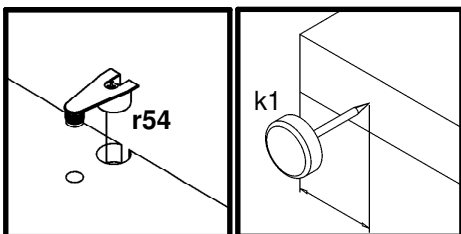
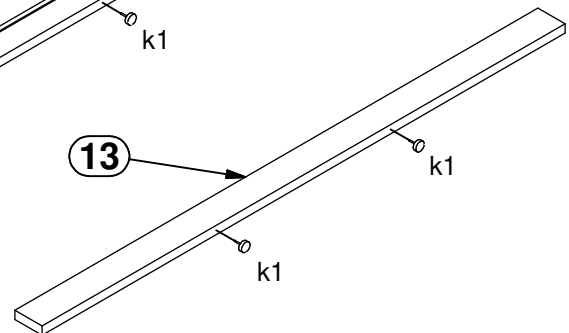
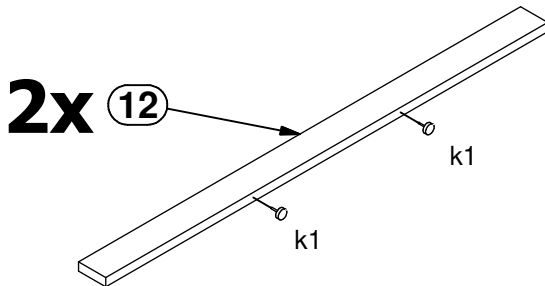
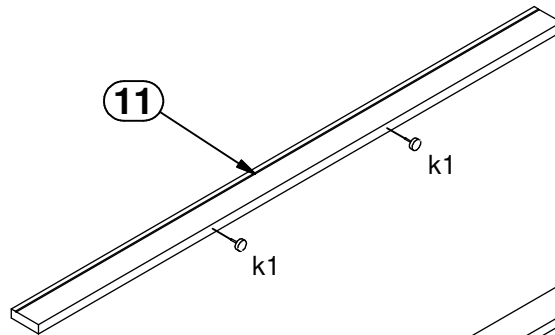
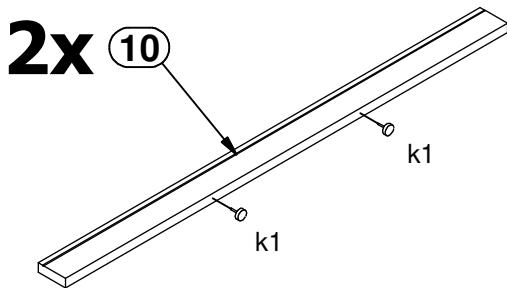
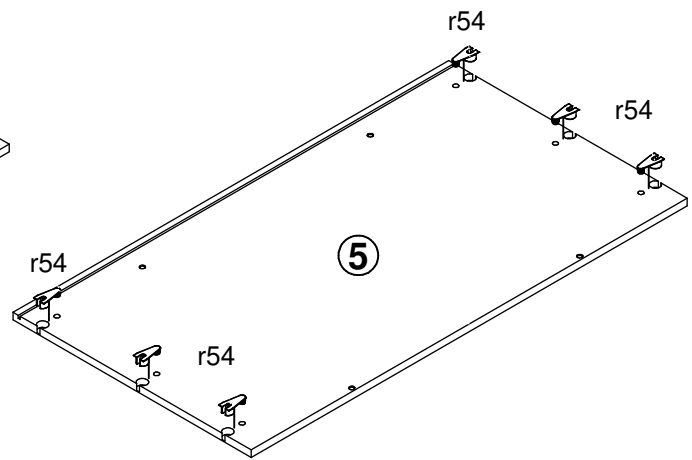
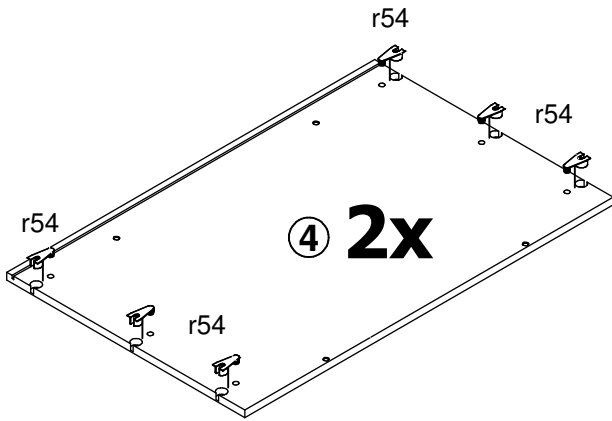
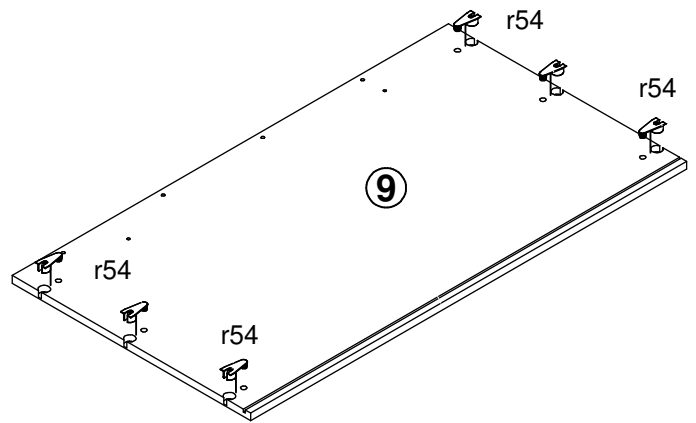
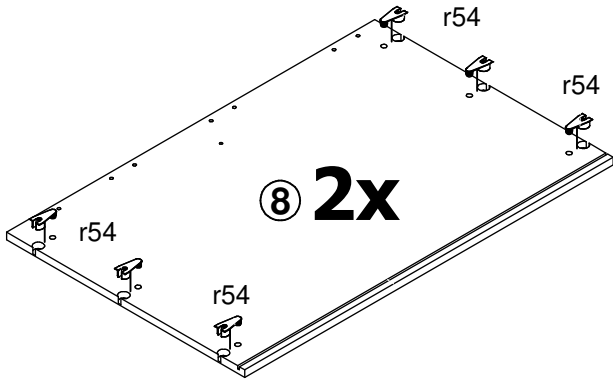
2x

③

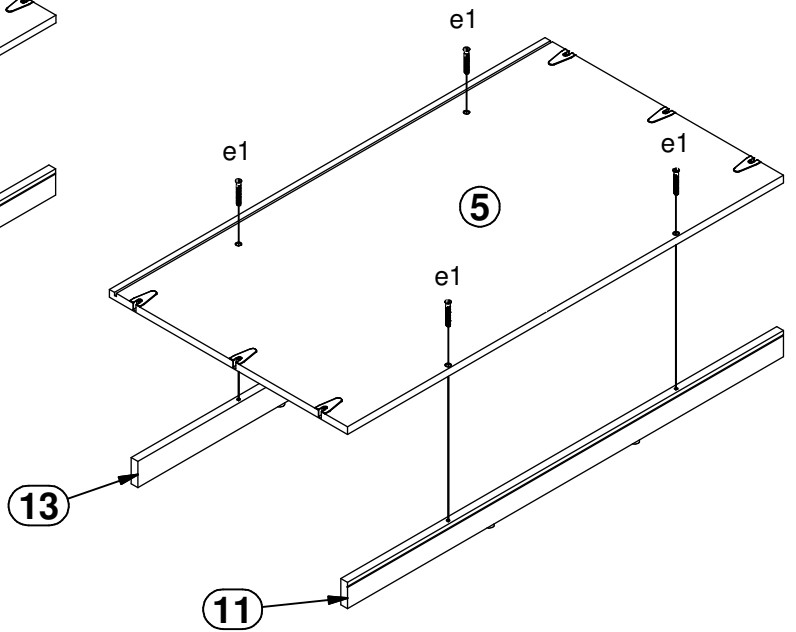
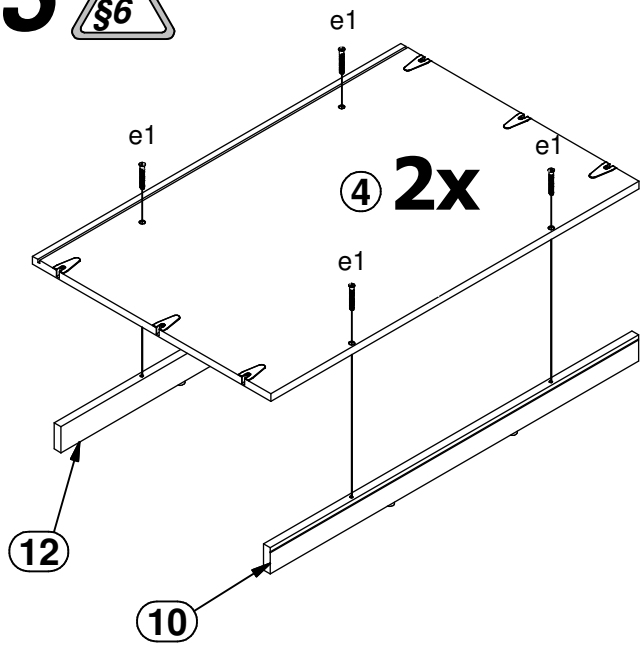
2x



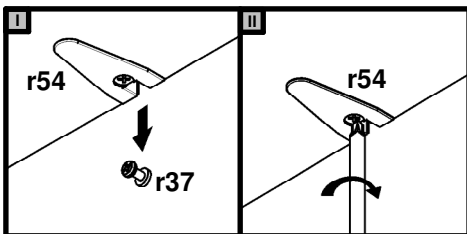
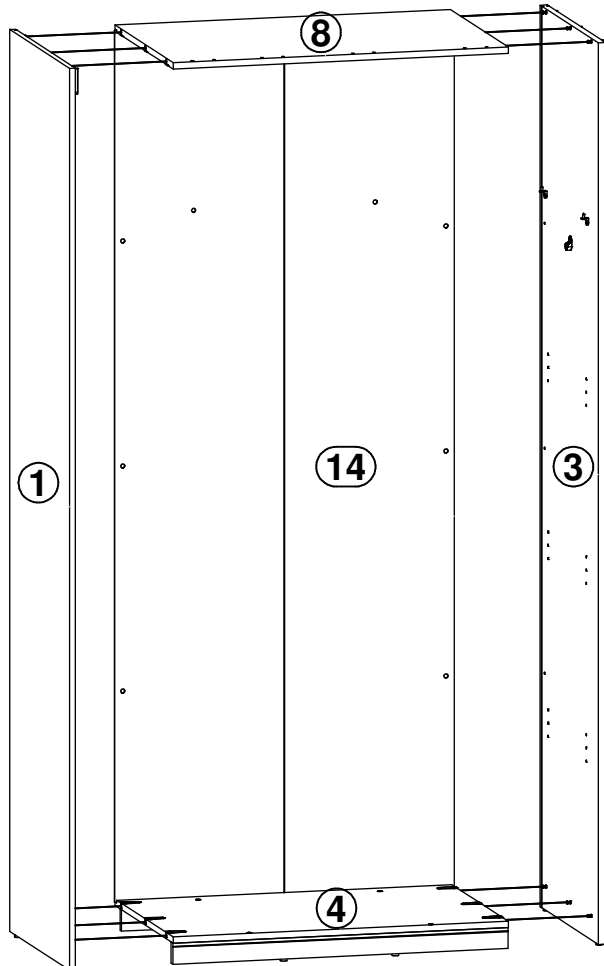
2 



3



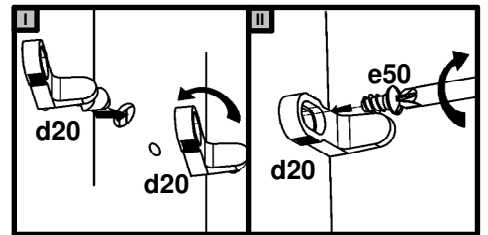
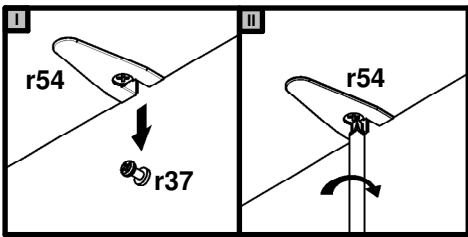
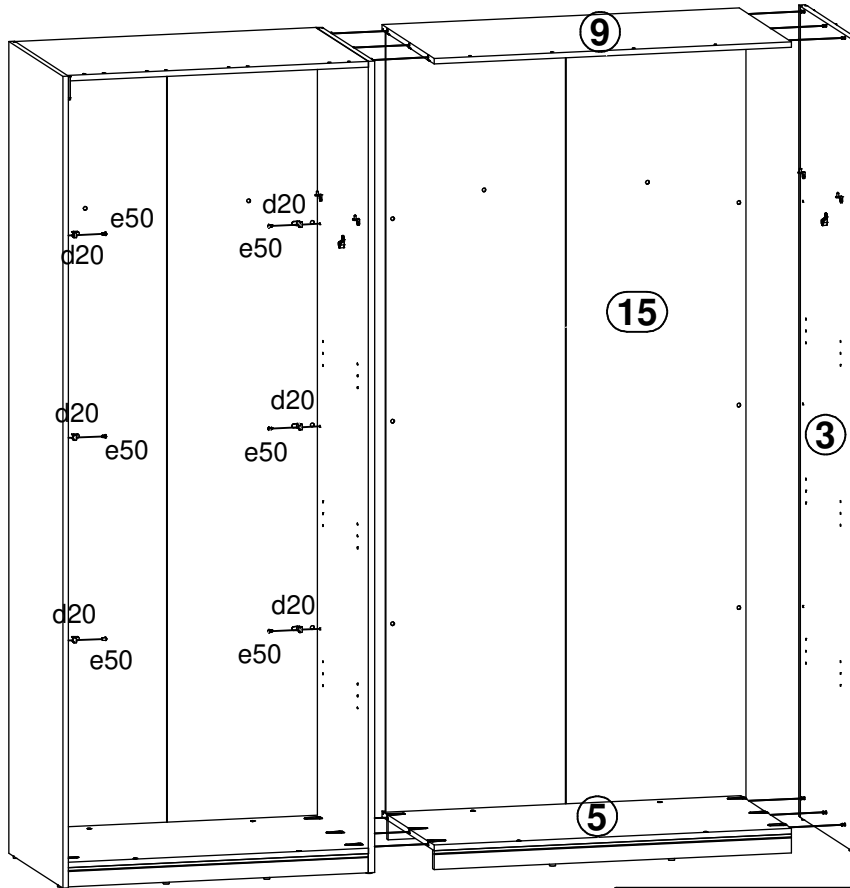
4



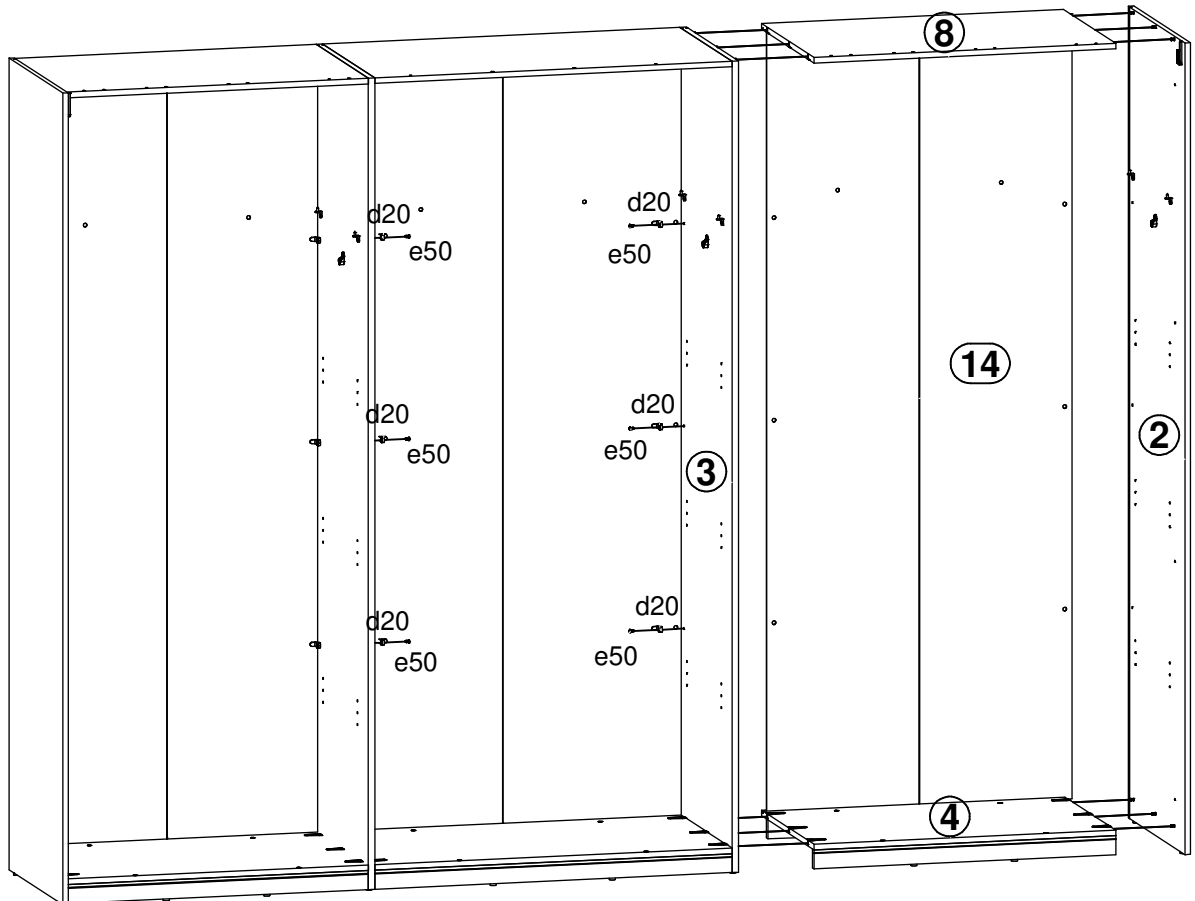
5



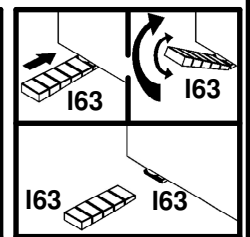
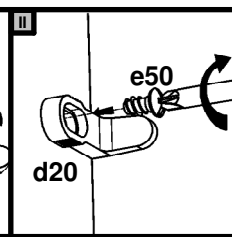
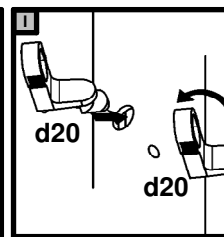
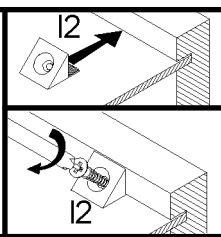
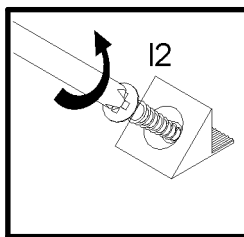
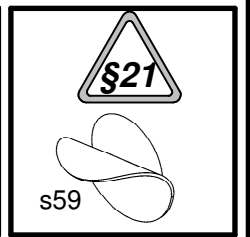
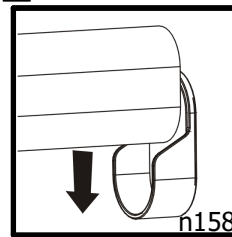
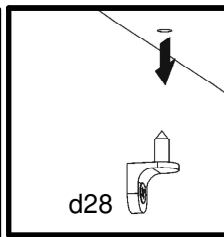
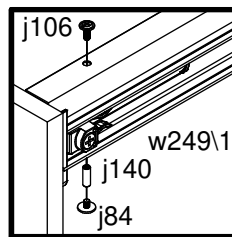
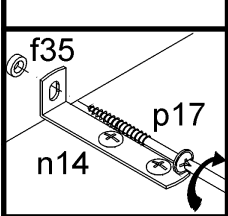
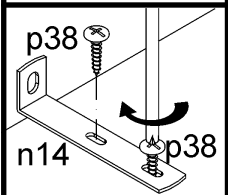
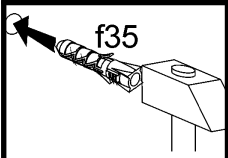
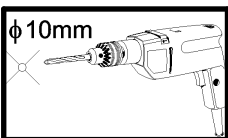
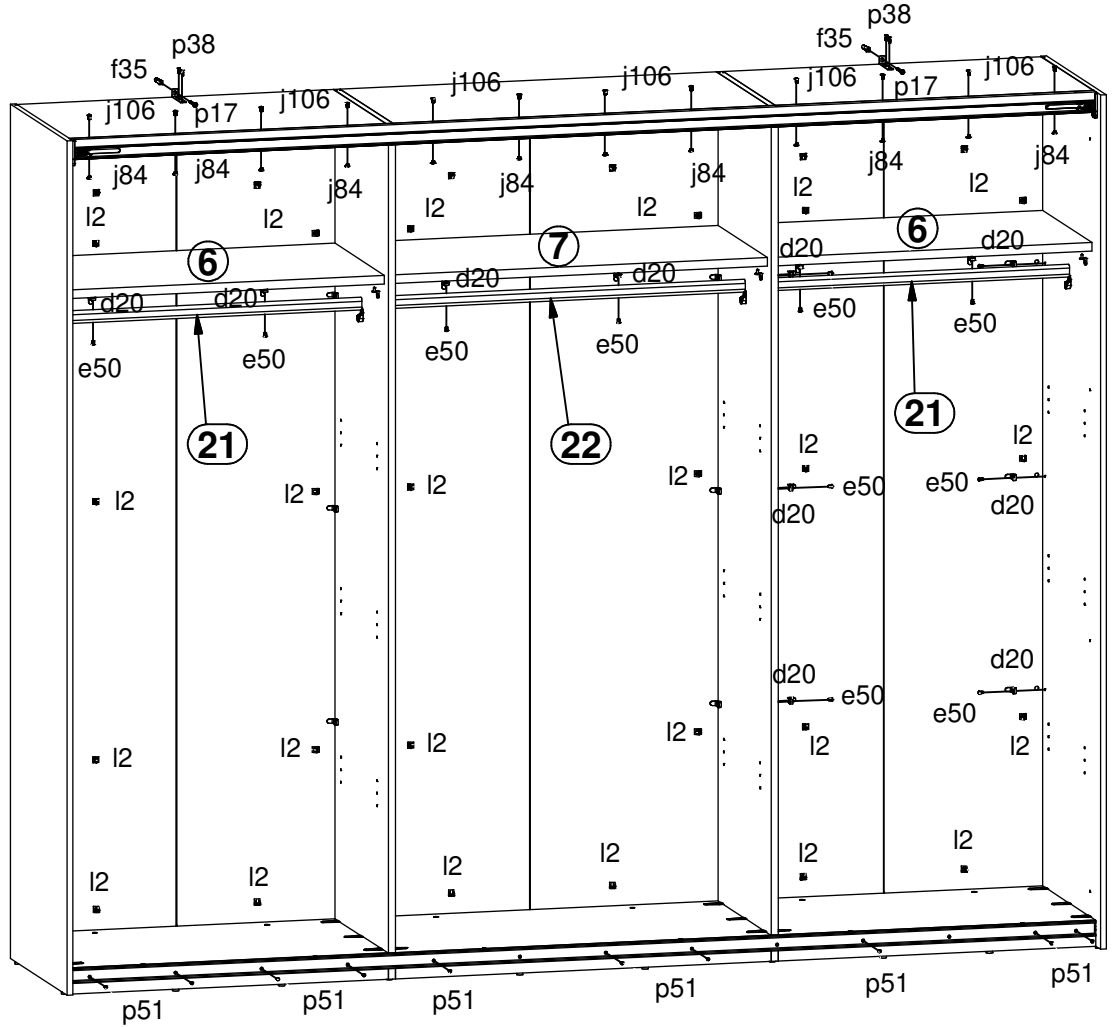
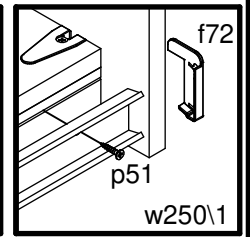
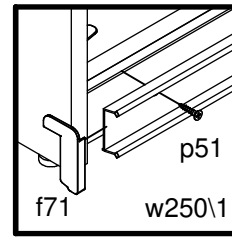
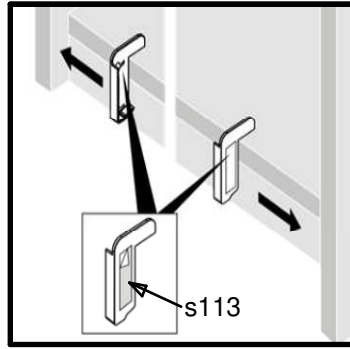
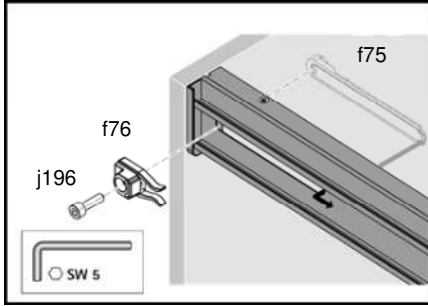
I

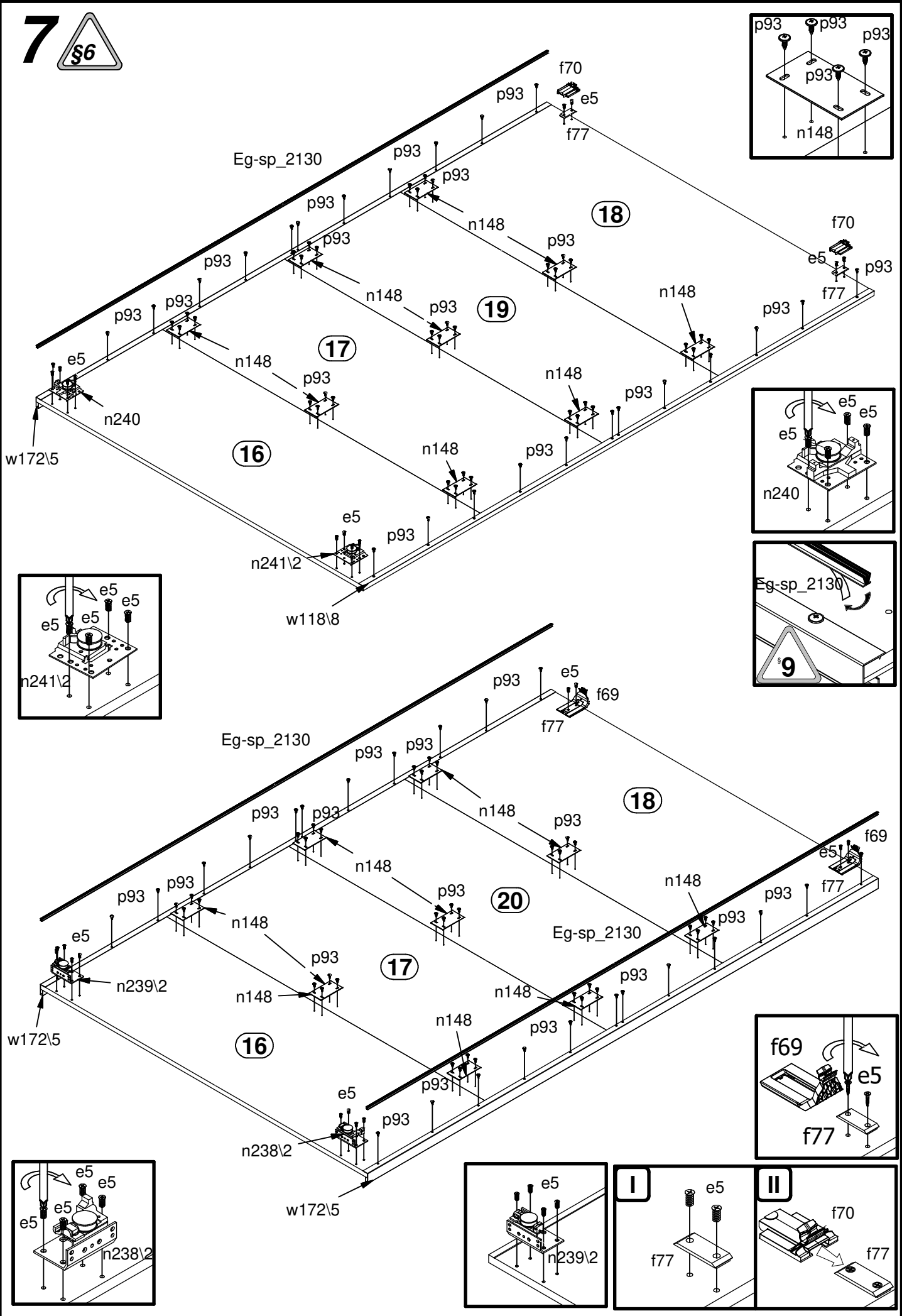


II

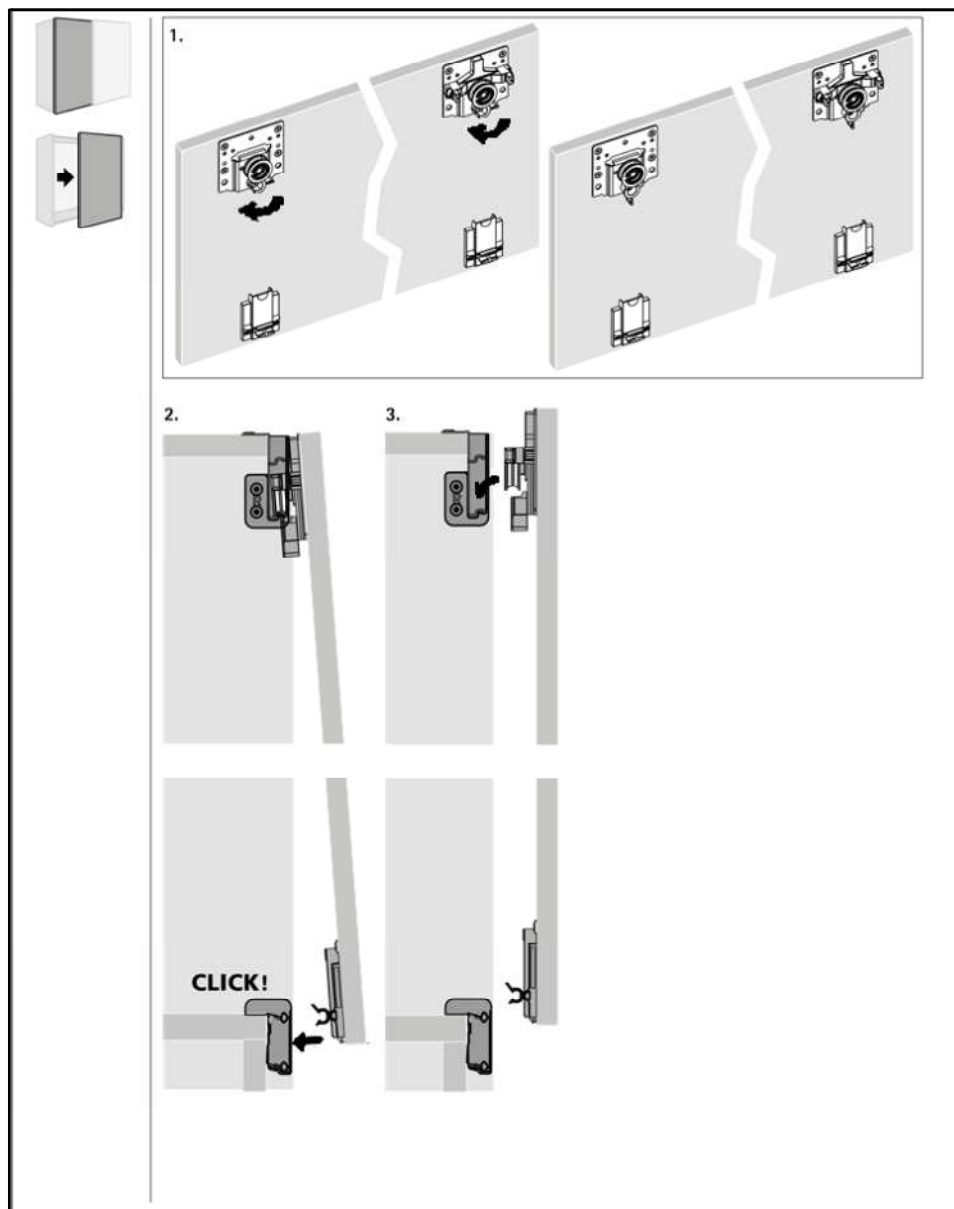
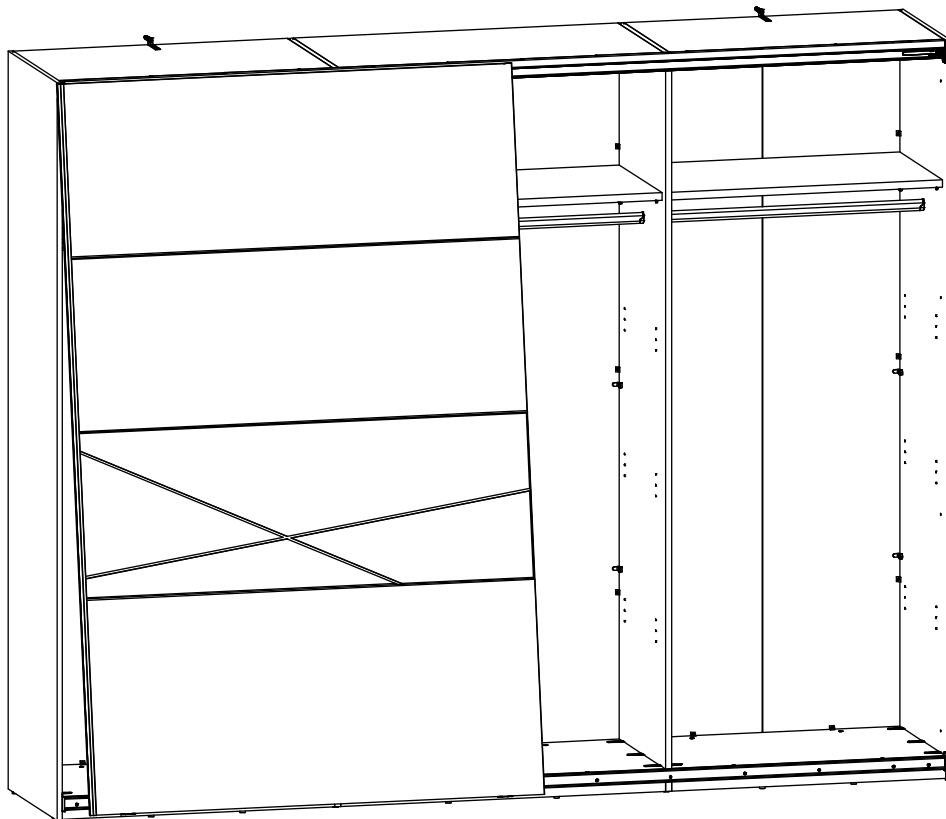


6

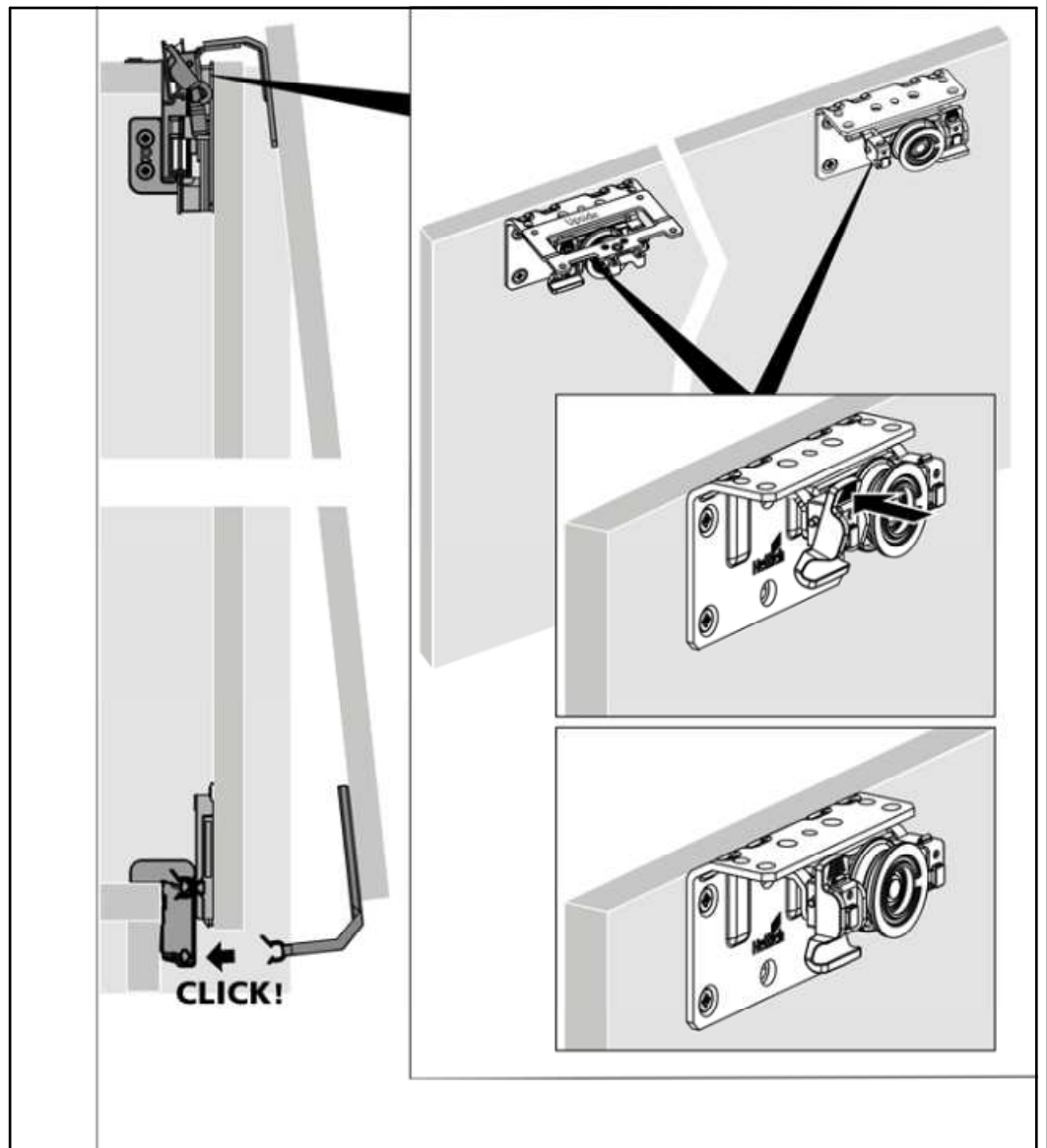
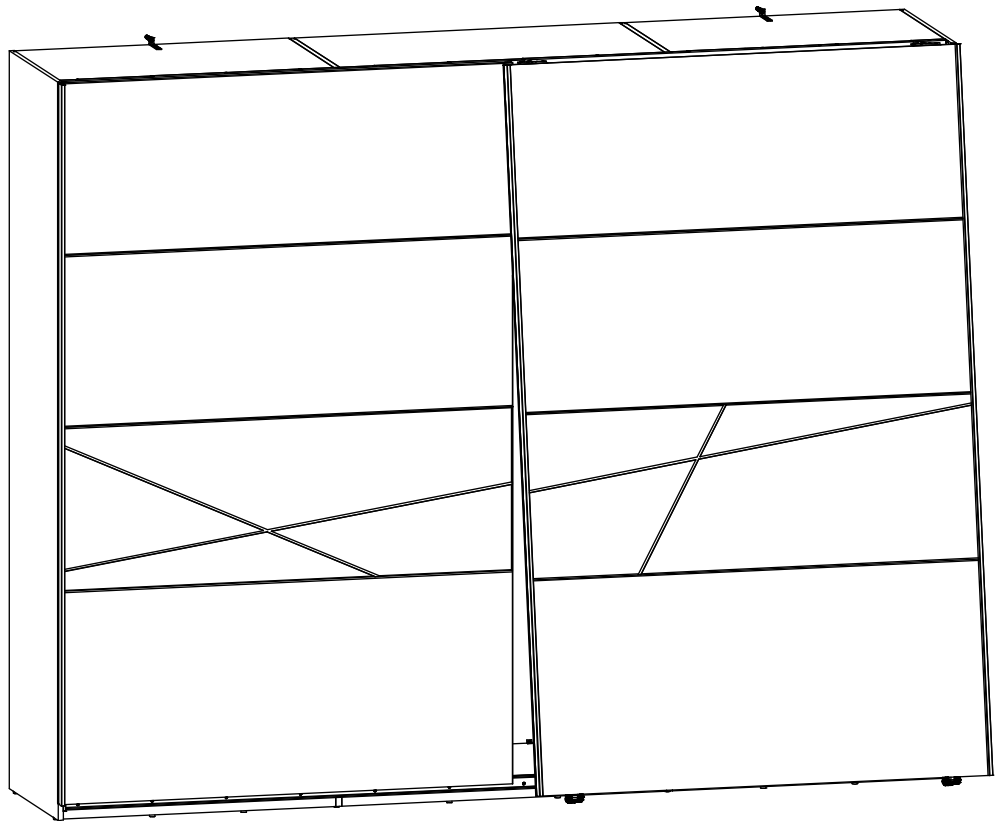




8



9



10

