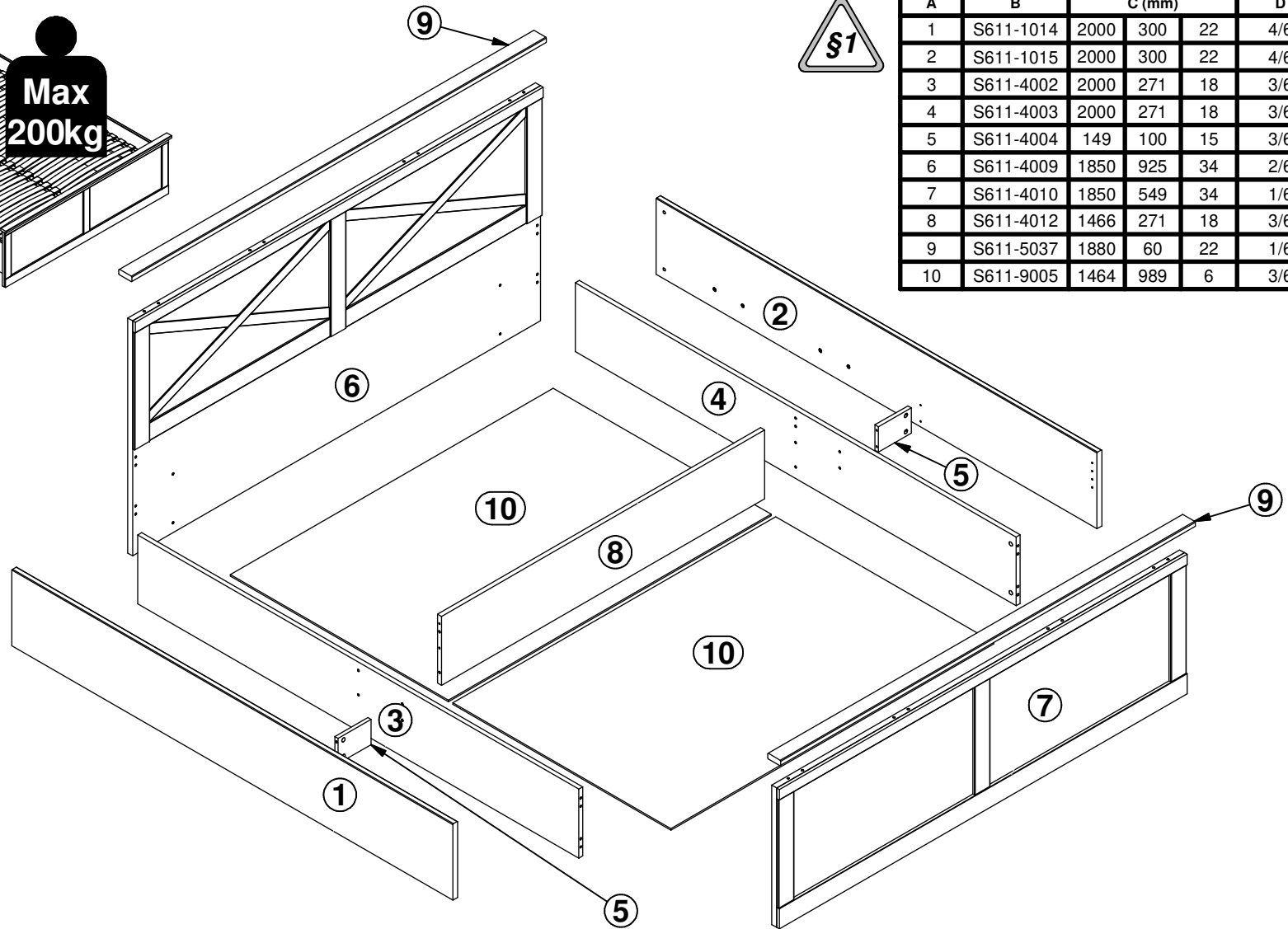


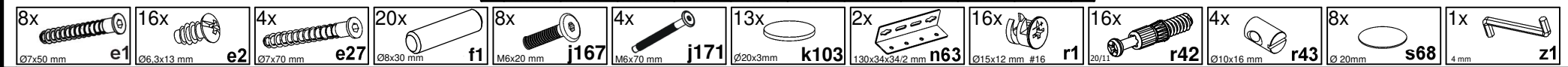
**Max
200kg**

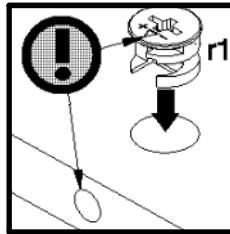
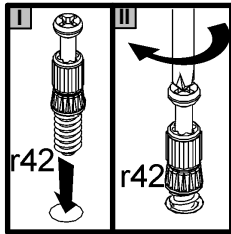
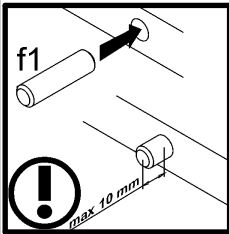
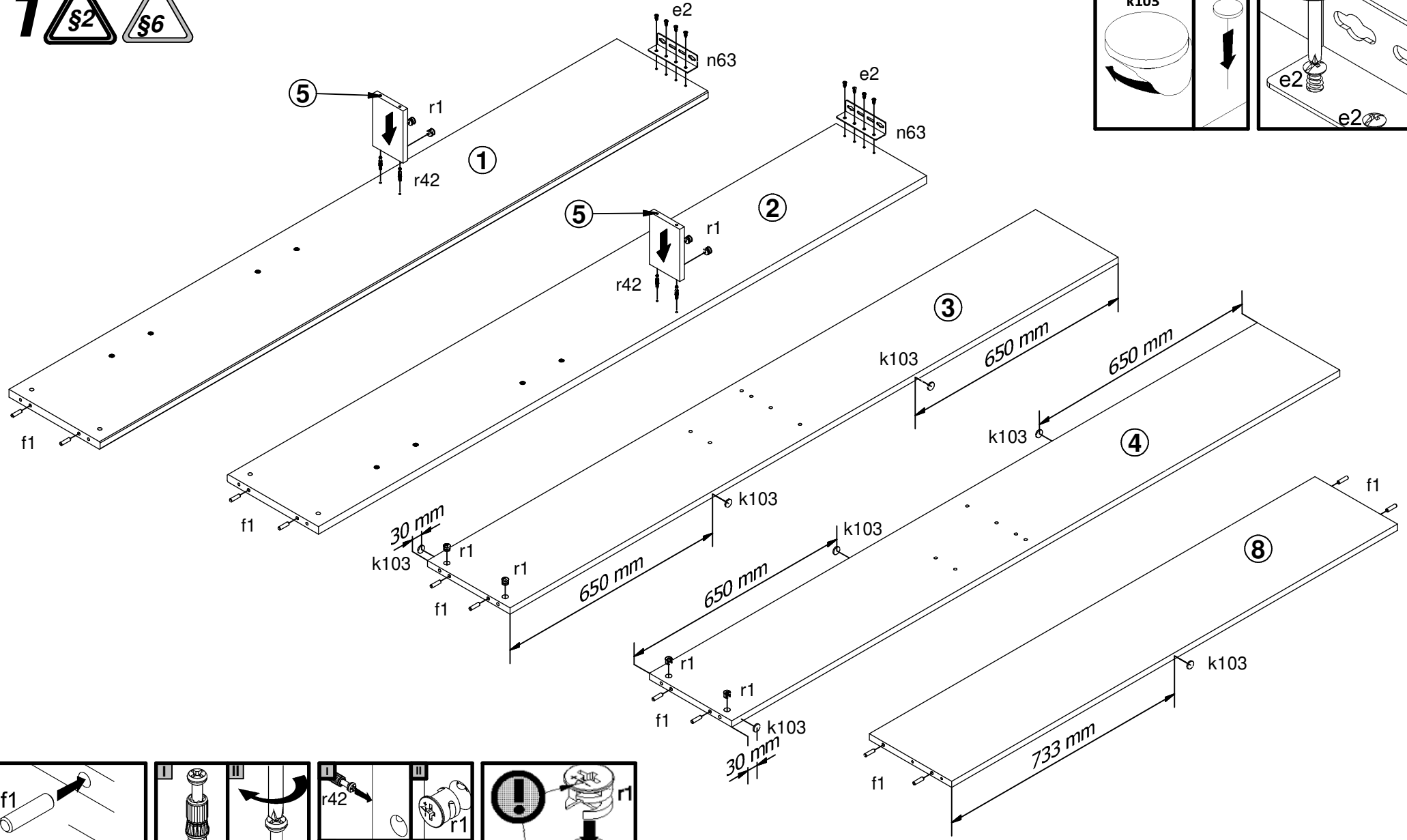


A	B	C (mm)			D
1	S611-1014	2000	300	22	4/6
2	S611-1015	2000	300	22	4/6
3	S611-4002	2000	271	18	3/6
4	S611-4003	2000	271	18	3/6
5	S611-4004	149	100	15	3/6
6	S611-4009	1850	925	34	2/6
7	S611-4010	1850	549	34	1/6
8	S611-4012	1466	271	18	3/6
9	S611-5037	1880	60	22	1/6
10	S611-9005	1464	989	6	3/6

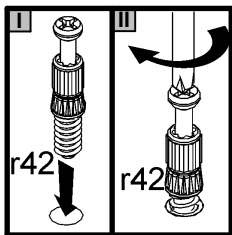
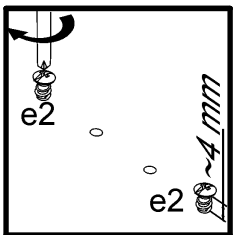
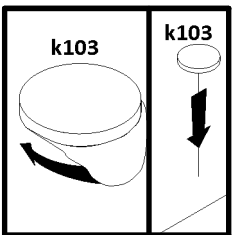
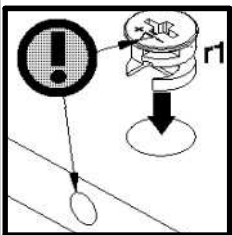
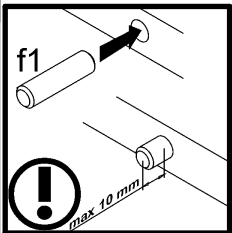
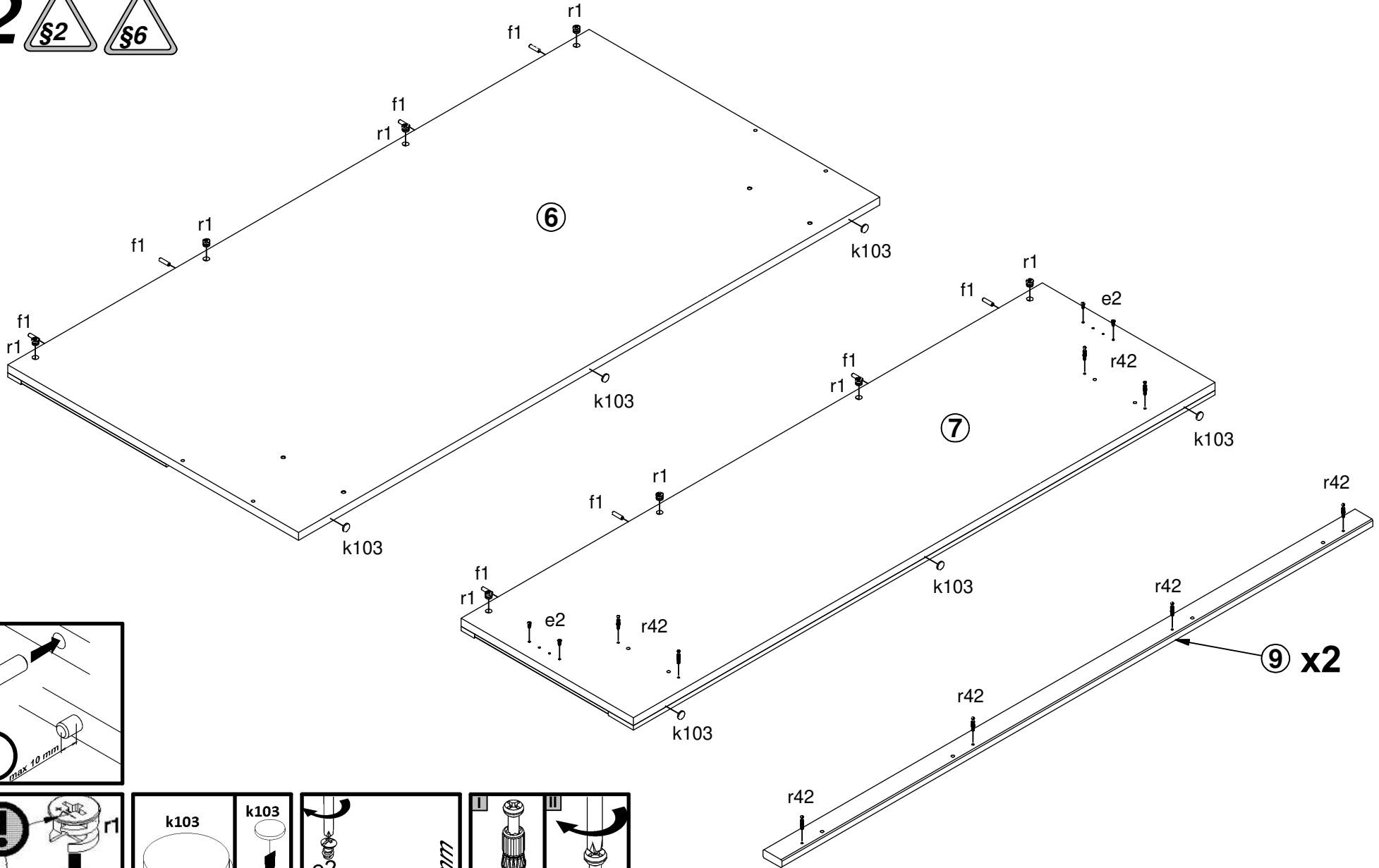


D
1/6





- | | | | | | |
|------------------------|-----------------------|-----------------------|-----------------------------|---------------------------|--------------------|
| 8x
Ø6.3x13 mm
e2 | 12x
Ø8x30 mm
f1 | 6x
Ø20x3mm
k103 | 2x
130x34x34/2 mm
n63 | 8x
Ø15x12 mm #16
r1 | 4x
20/11
r42 |
|------------------------|-----------------------|-----------------------|-----------------------------|---------------------------|--------------------|



- 4x

Ø6.3x13 mm e2
- 8x

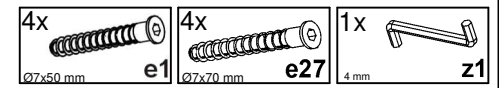
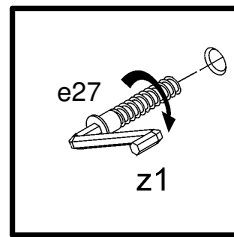
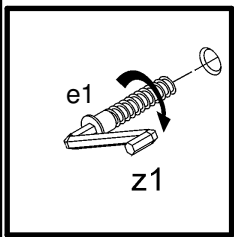
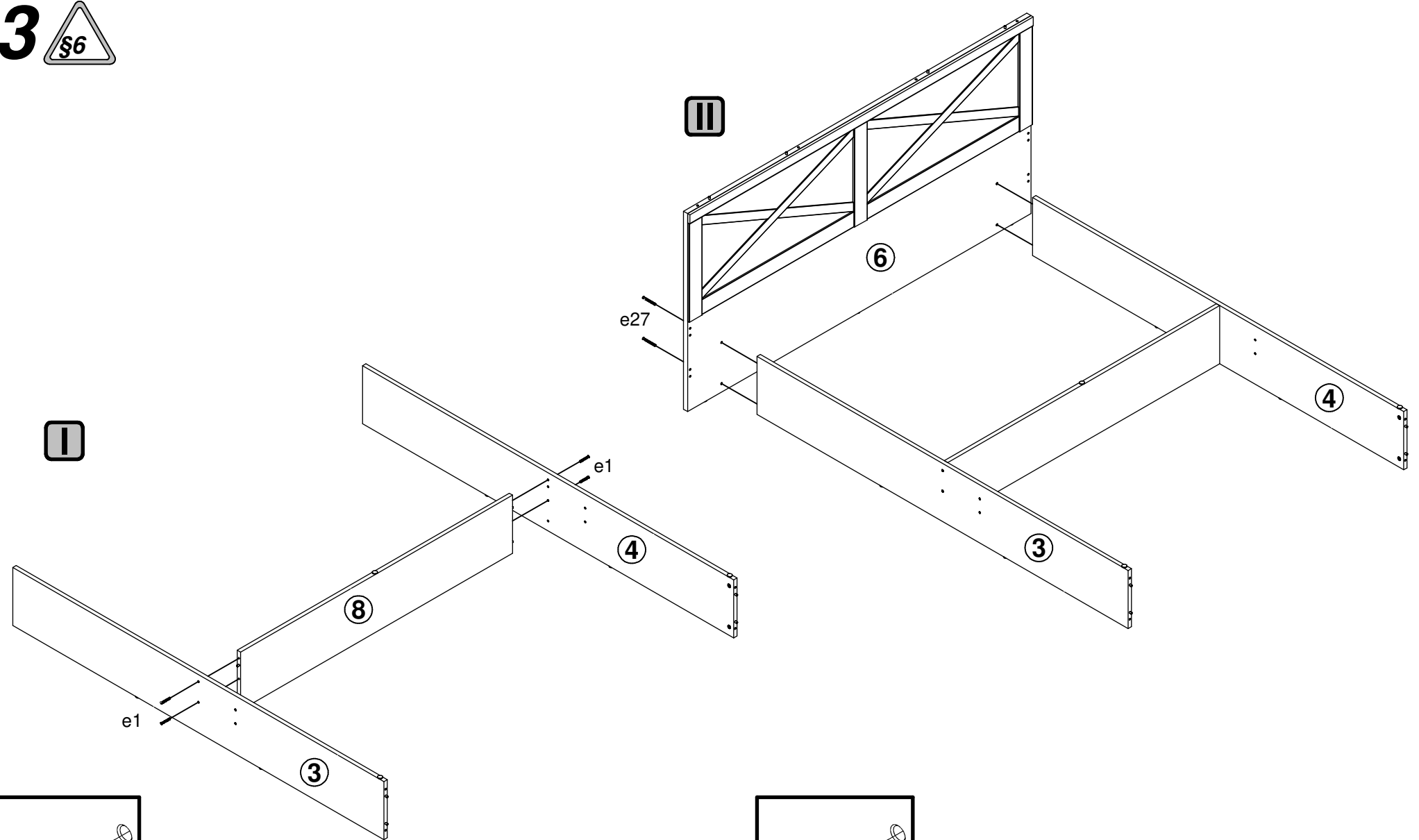
Ø8x30 mm f1
- 6x

Ø20x3mm k103
- 8x

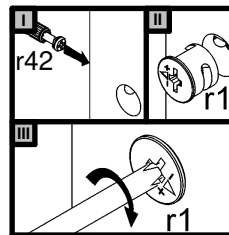
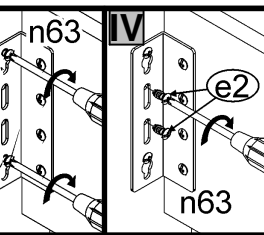
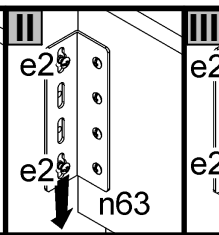
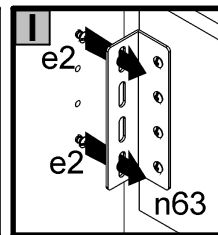
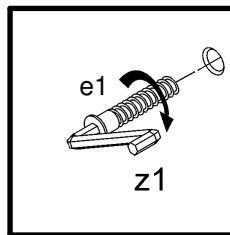
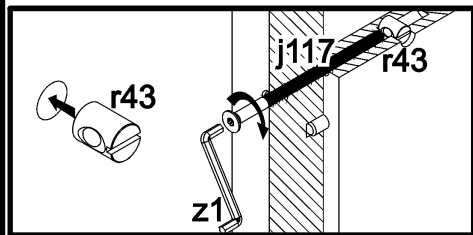
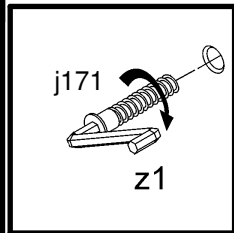
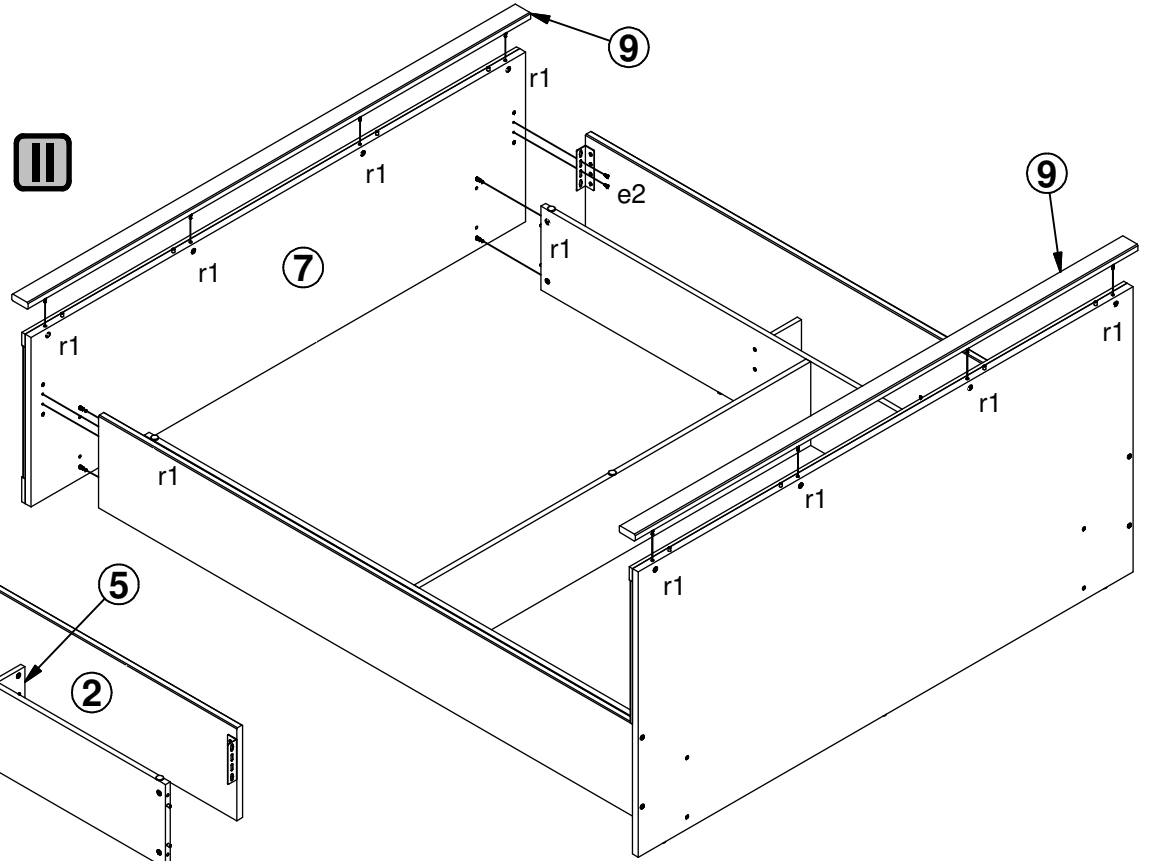
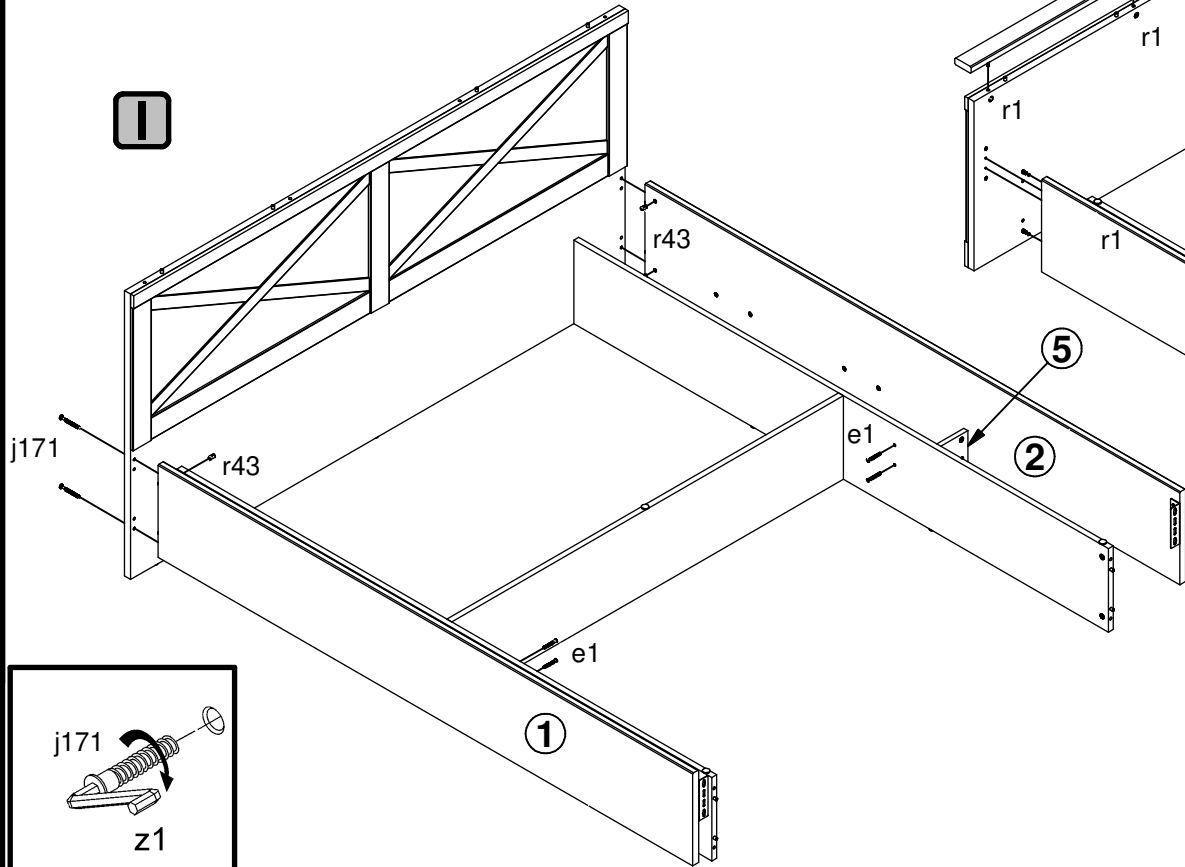
Ø15x12 mm #16 r1
- 12x





20/11 r42

3 



4 



4x  Ø7x50 mm e1	4x  Ø6,3x13 mm e2
4x  M6x70 mm j171	4x  Ø10x16 mm r43

5 

