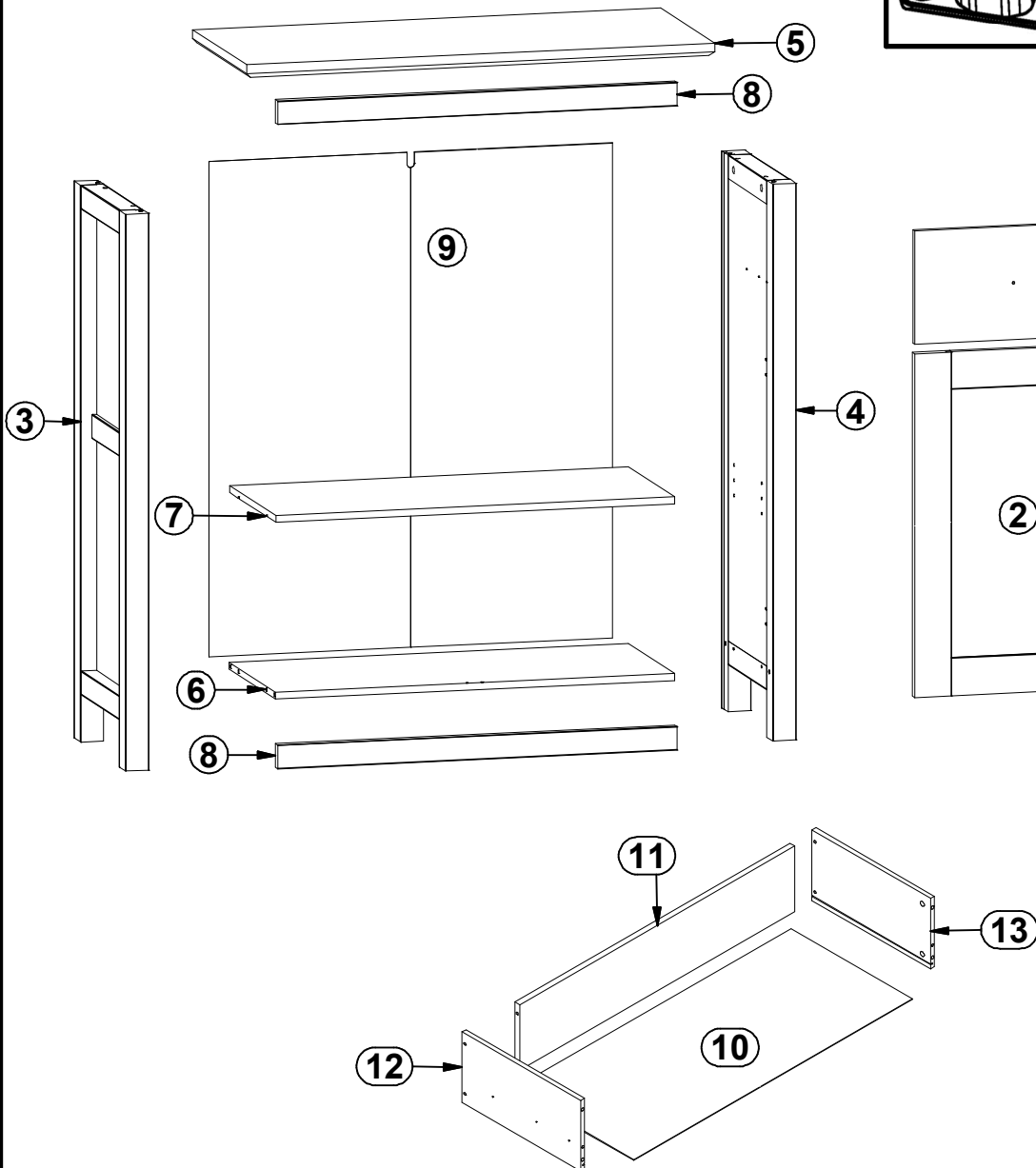
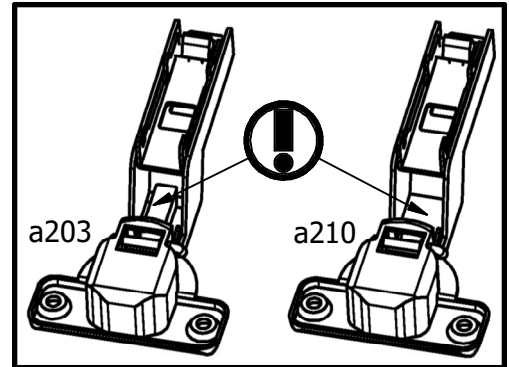
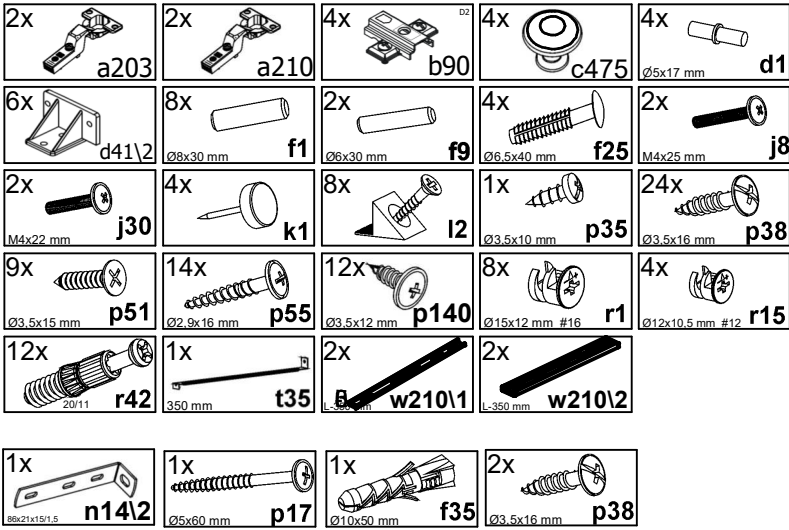
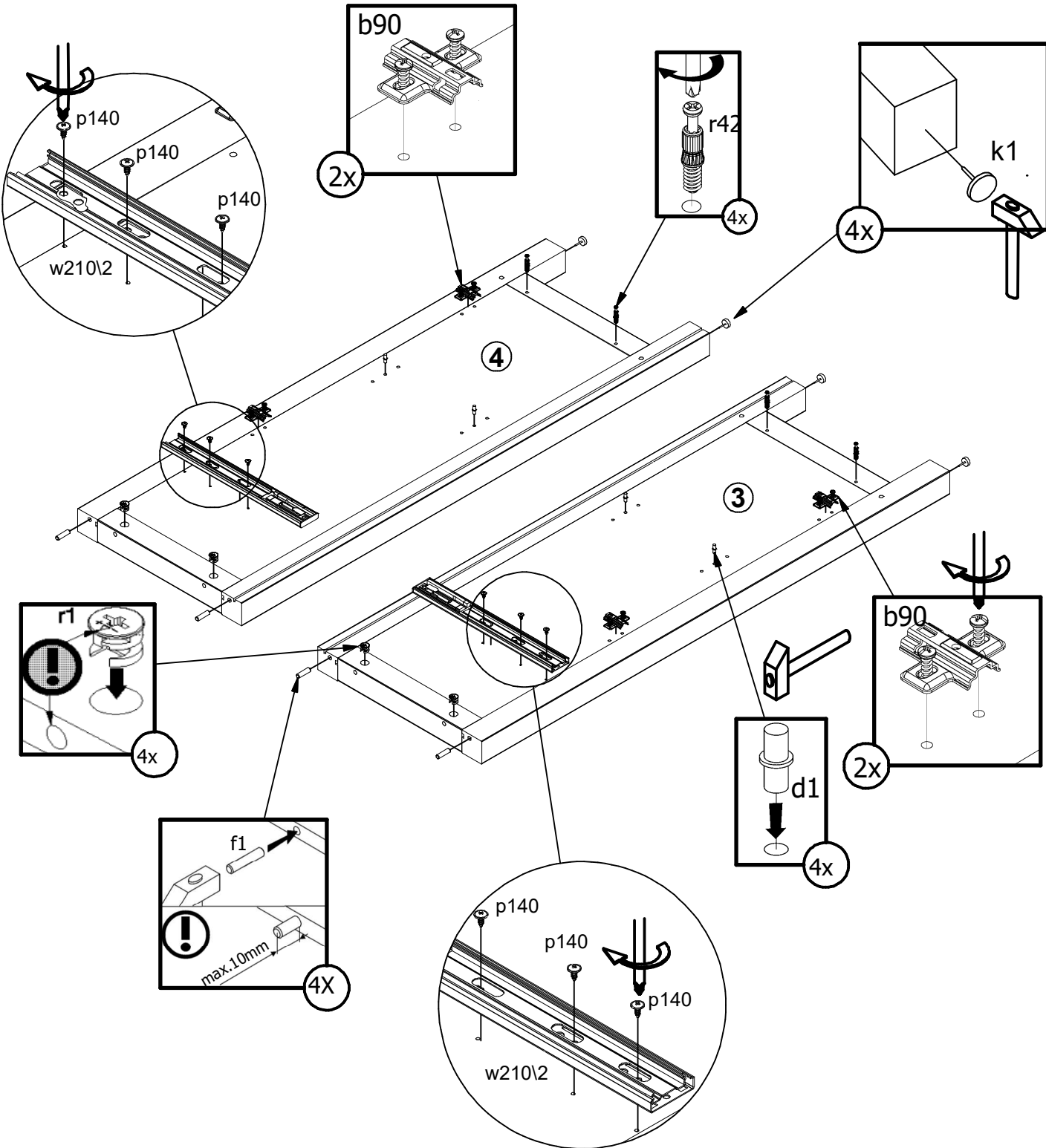
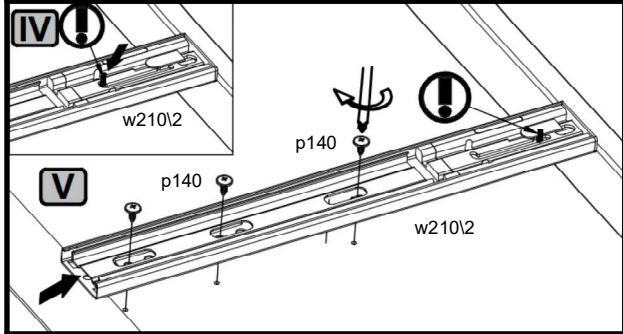
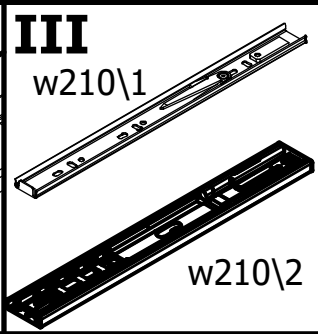
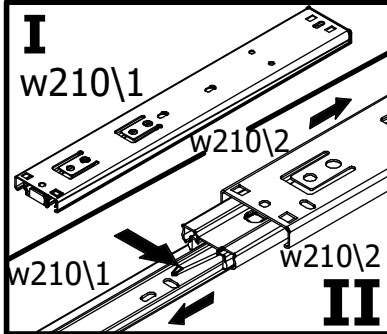
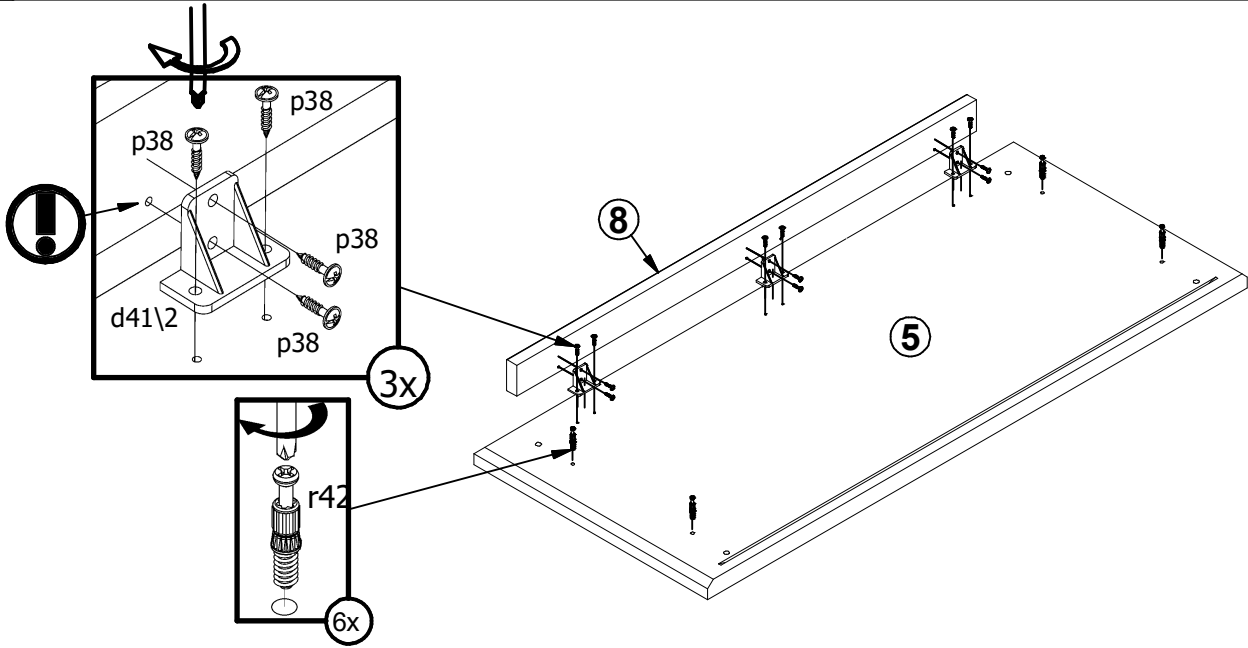


| A | B | W | C1 | C2 | C3 | D |
|----|-----------|---|------|-----|-----|-----|
| 1 | S515-0007 | - | 855 | 240 | 15 | 2/2 |
| 2 | S515-0019 | - | 728 | 426 | 19 | 1/2 |
| 3 | S515-1041 | - | 1179 | 413 | 50 | 1/2 |
| 4 | S515-1042 | - | 1179 | 413 | 50 | 1/2 |
| 5 | S515-2004 | A | 1010 | 438 | 28 | 2/2 |
| 6 | S515-3011 | A | 861 | 372 | 15 | 2/2 |
| 7 | S515-3037 | - | 860 | 373 | 15 | 2/2 |
| 8 | S515-5204 | - | 861 | 50 | 19 | 2/2 |
| 9 | S515-9303 | - | 1048 | 871 | 2,5 | 2/2 |
| 10 | WSP-9331 | - | 821 | 358 | 2,5 | 2/2 |
| 11 | ZK3-5077 | - | 811 | 167 | 15 | 2/2 |
| 12 | ZK4-503 | - | 350 | 180 | 12 | 2/2 |
| 13 | ZK4-504 | - | 350 | 180 | 12 | 2/2 |

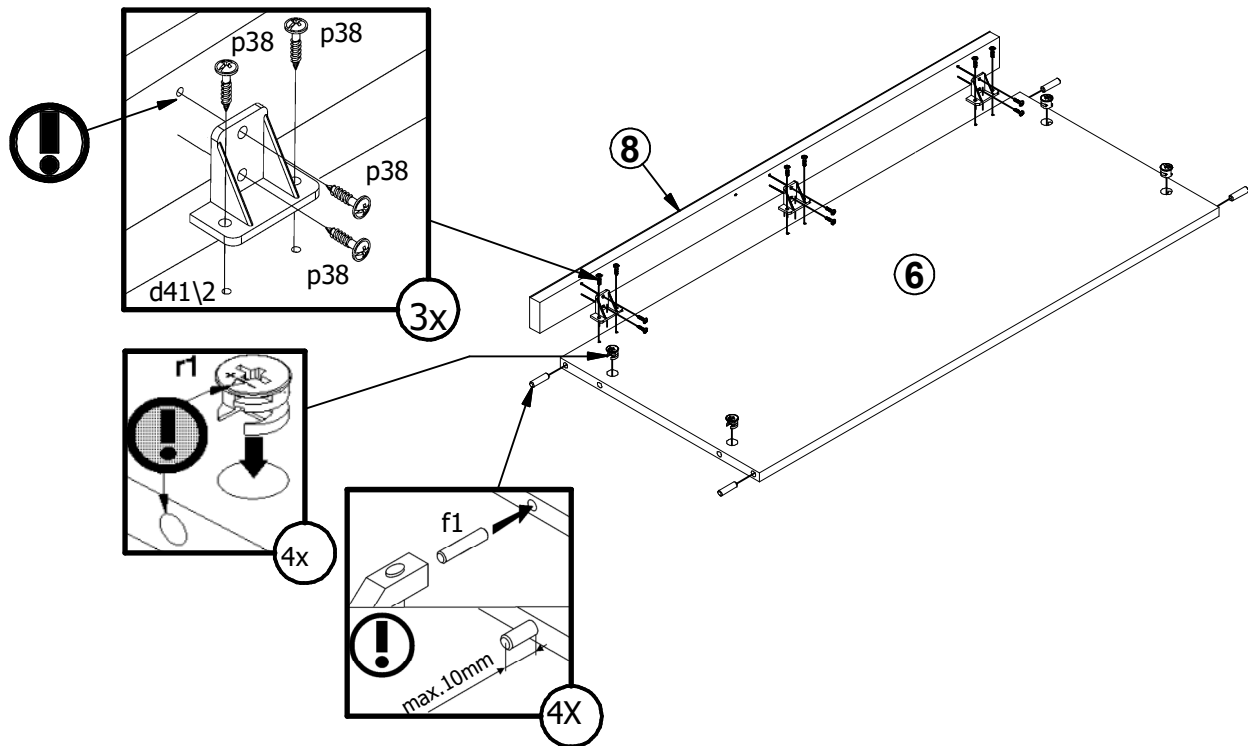




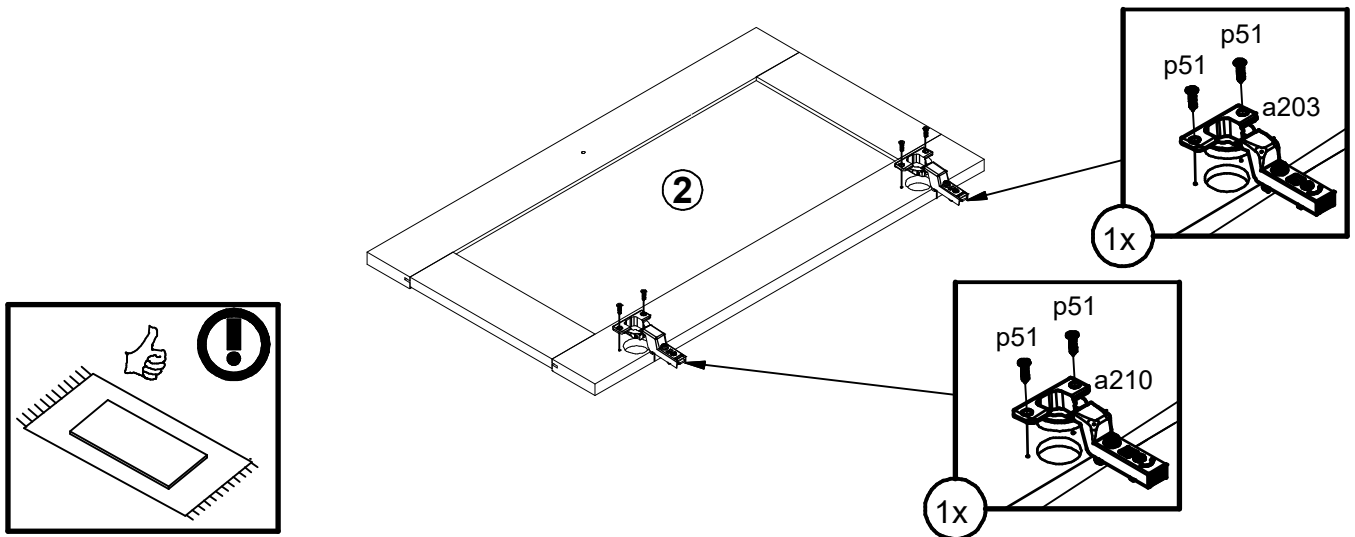
2



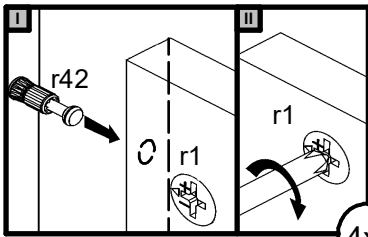
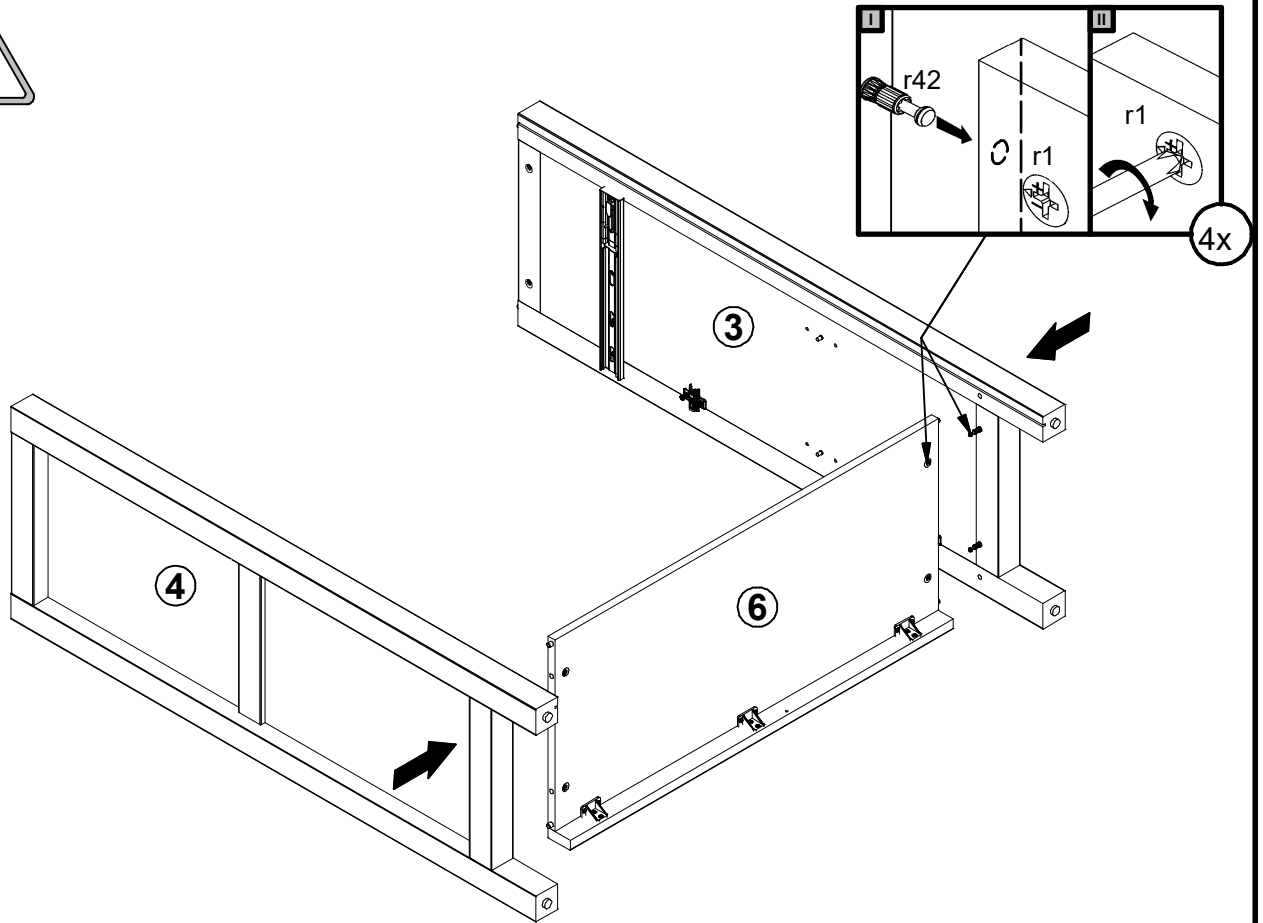
3



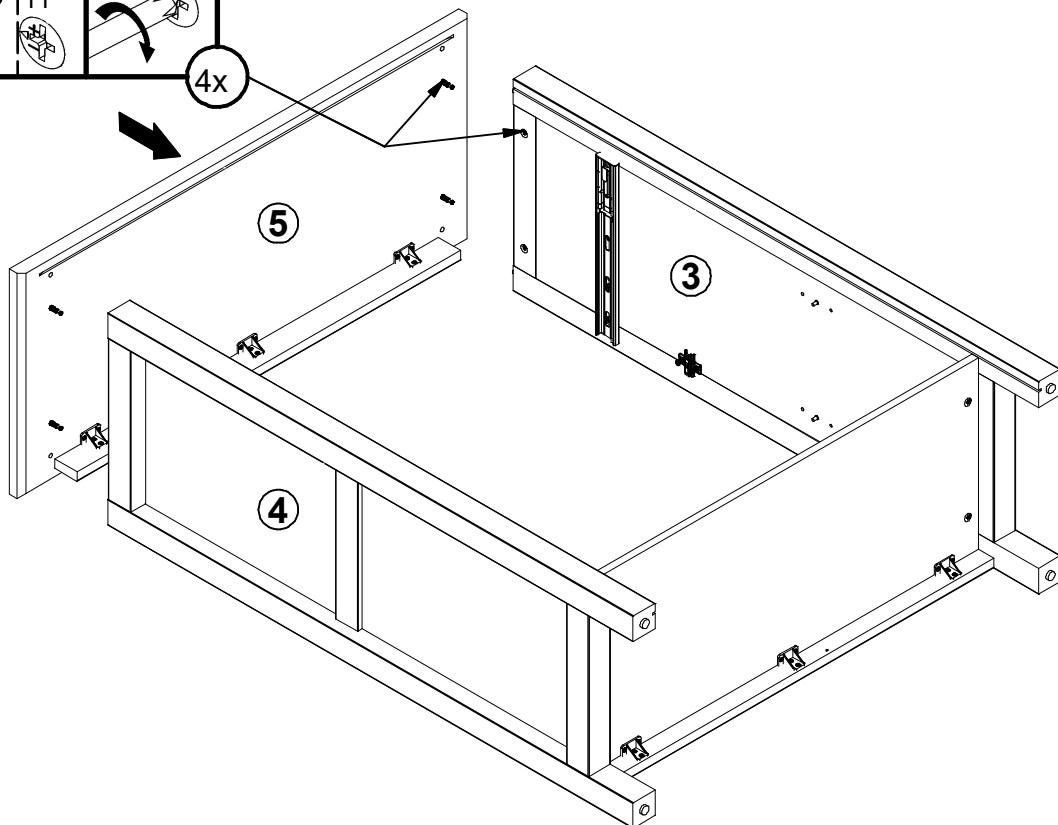
4

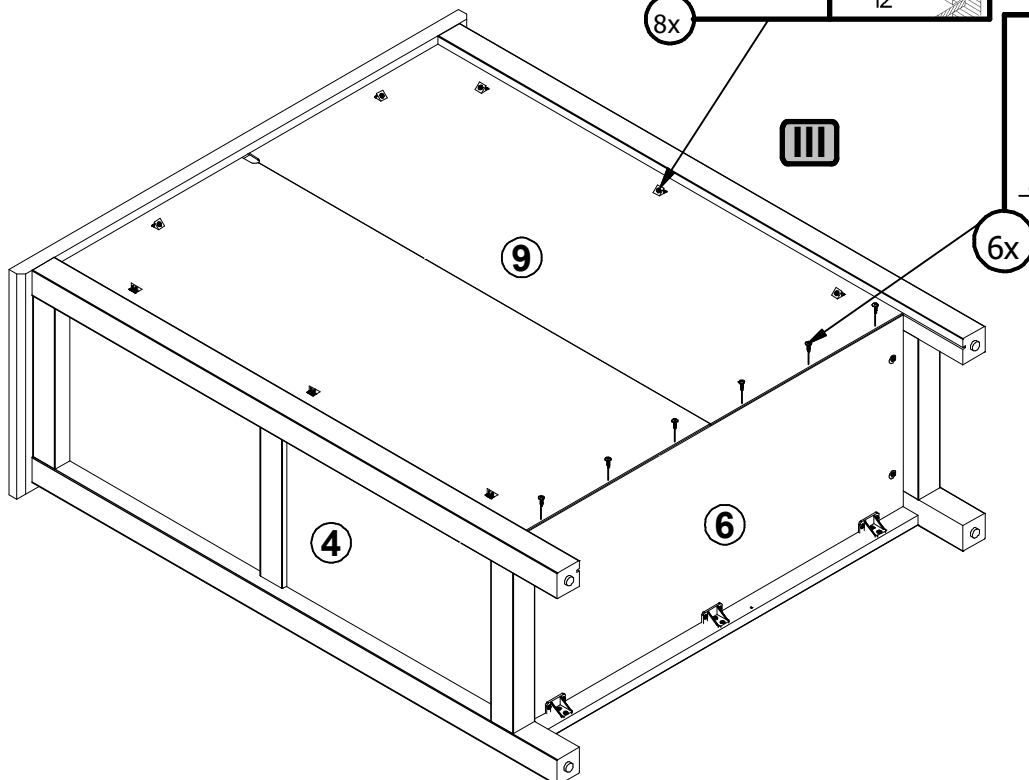
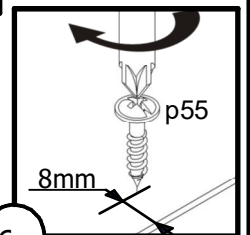
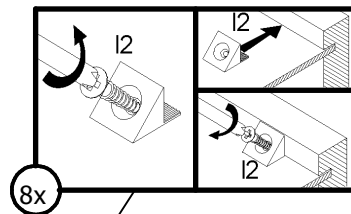
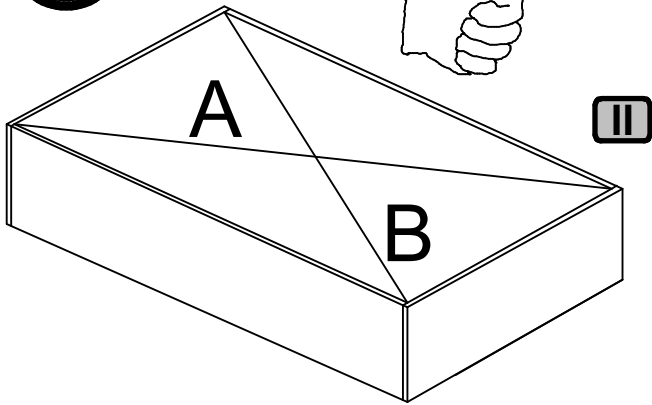
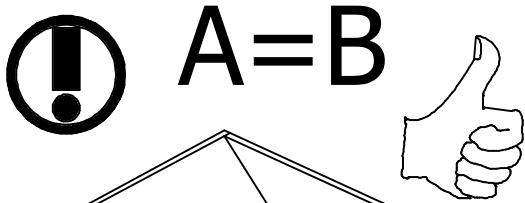
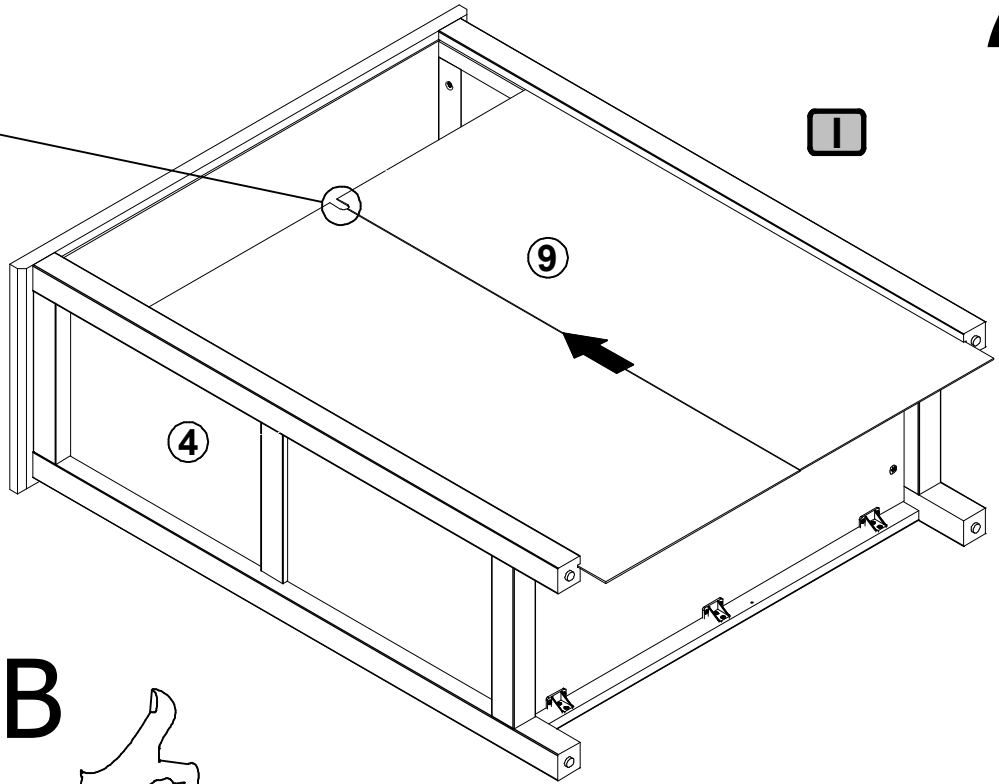
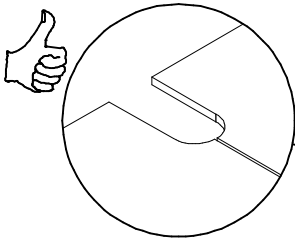


5

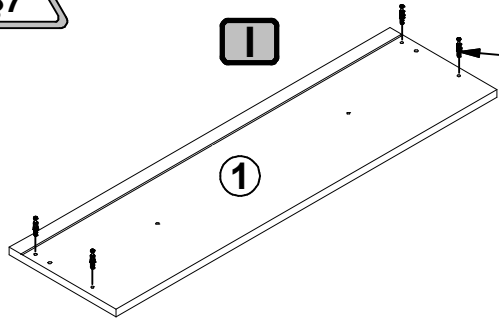


6



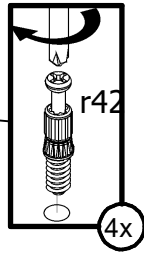


8

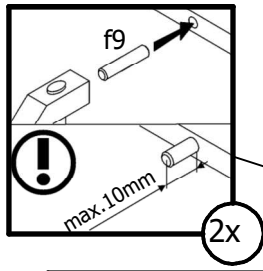
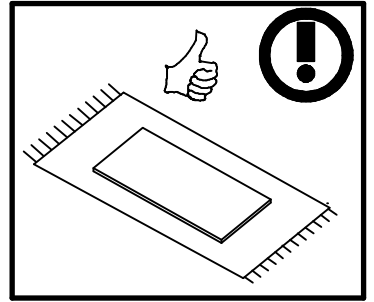


I

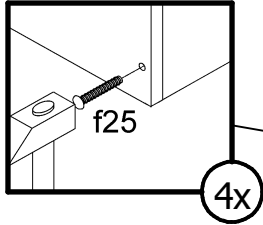
1



4x

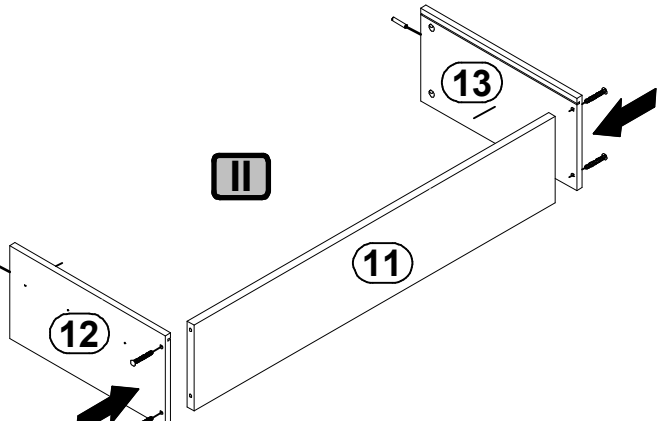


2x



4x

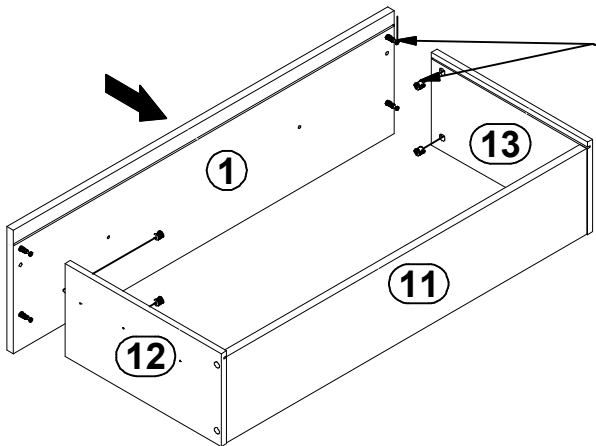
II



11

13

III

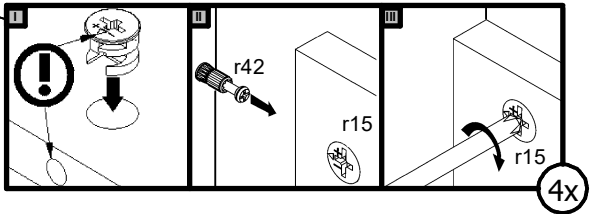


1

13

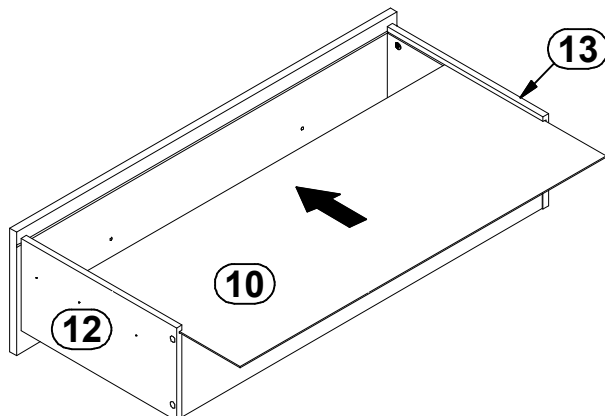
11

12



4x

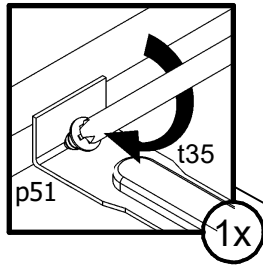
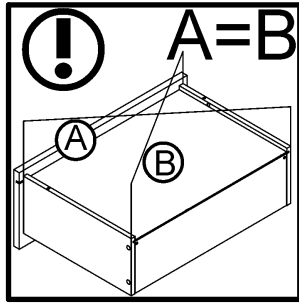
IV



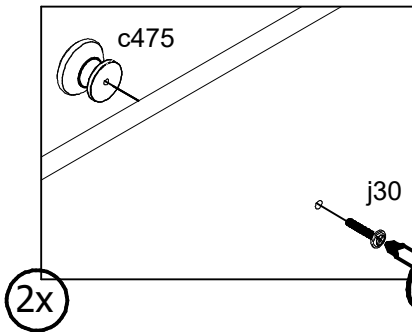
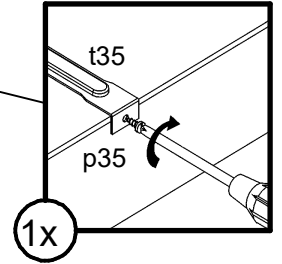
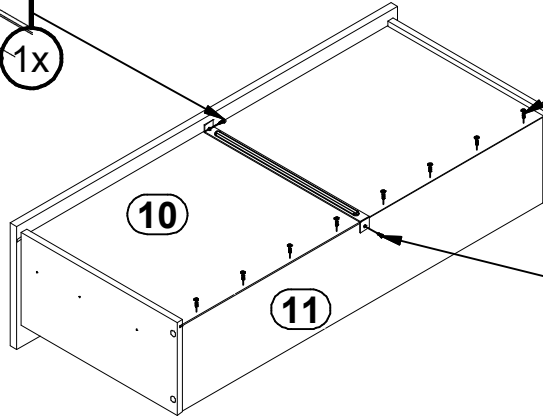
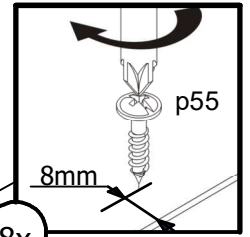
13

10

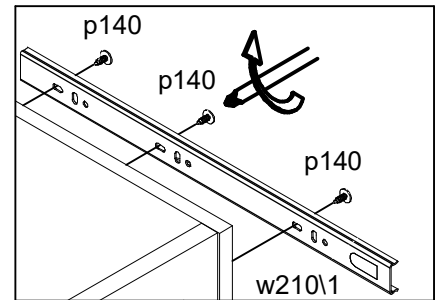
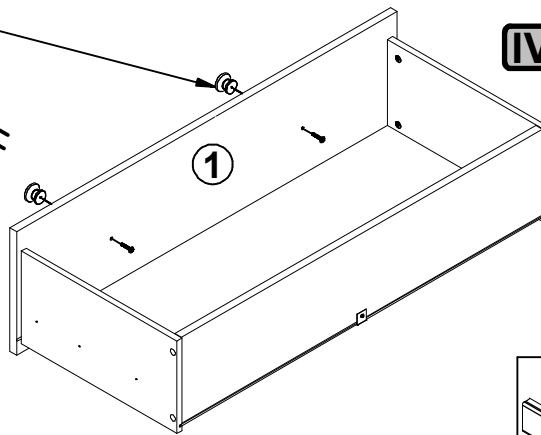
12



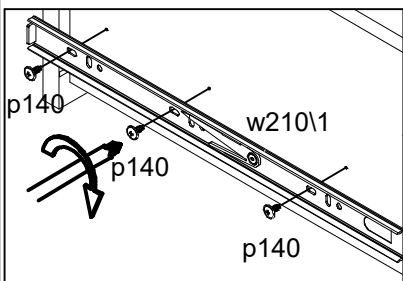
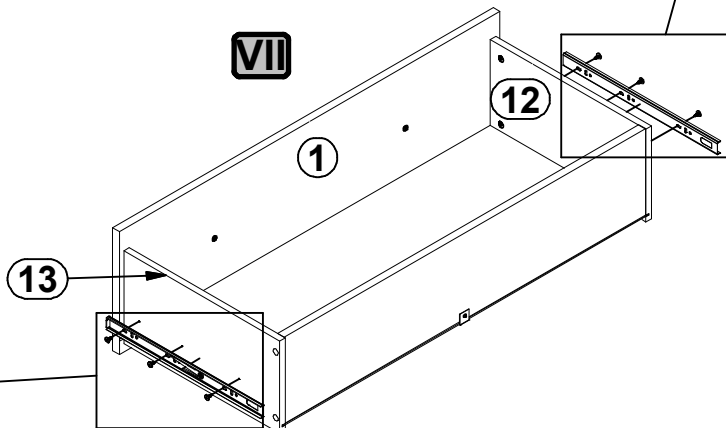
V

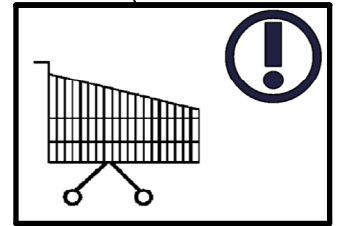
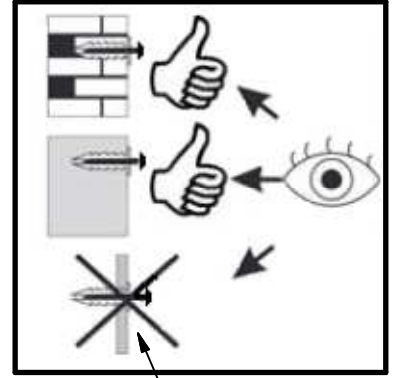
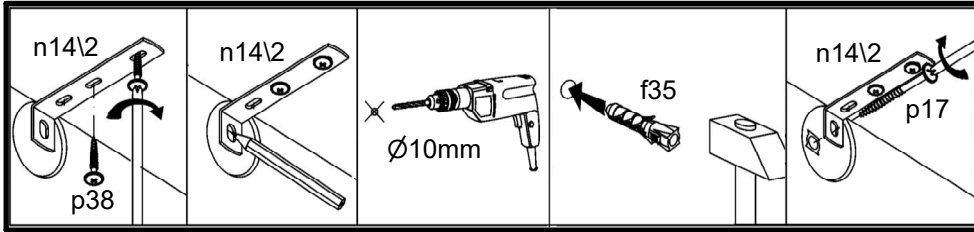


IV

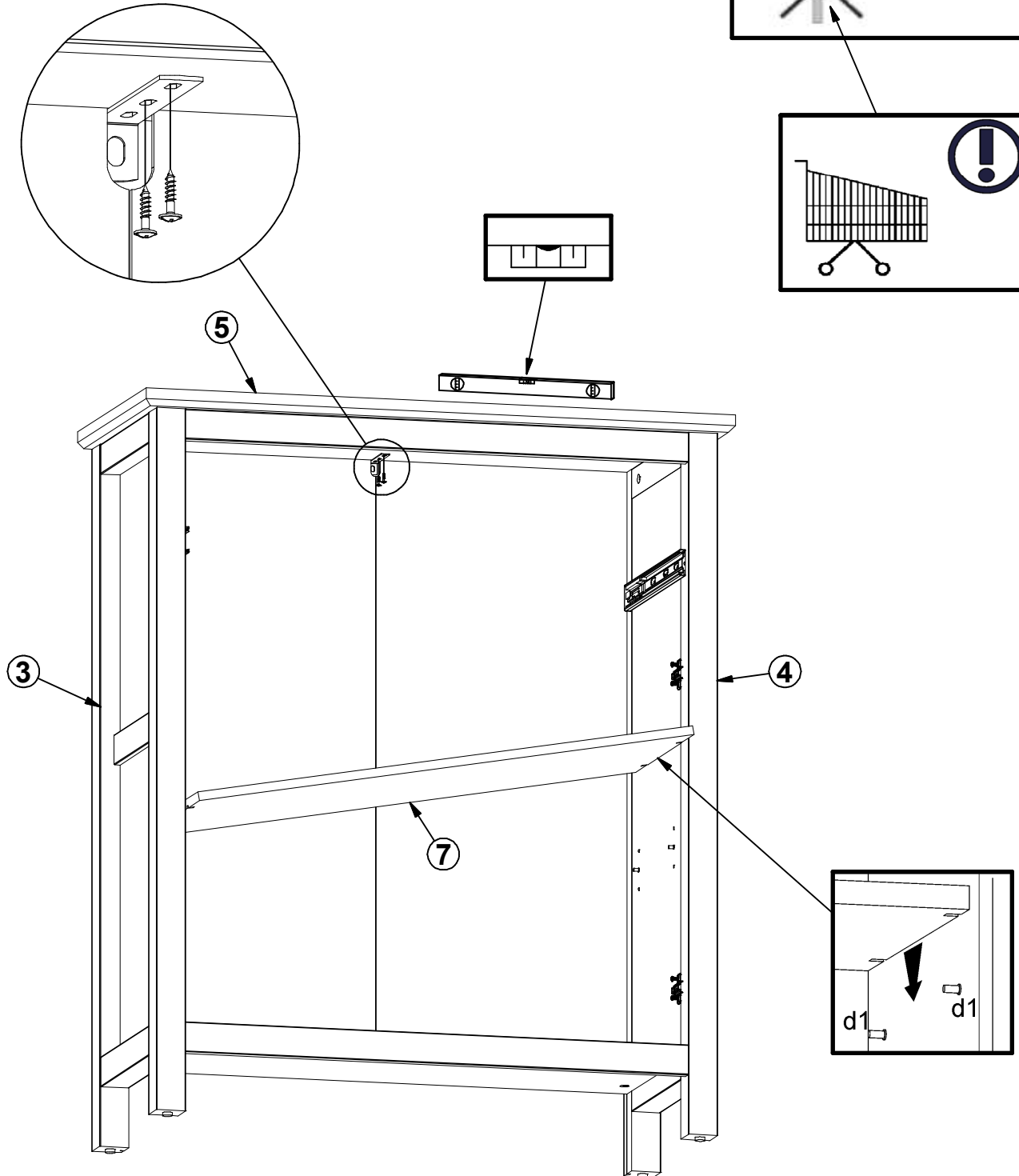


VII





9



10

