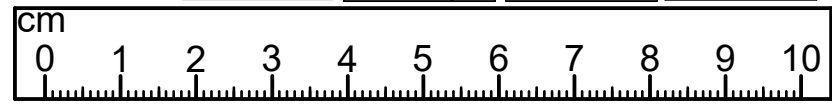
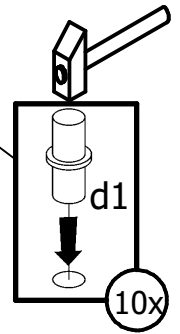
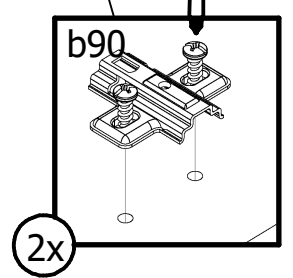
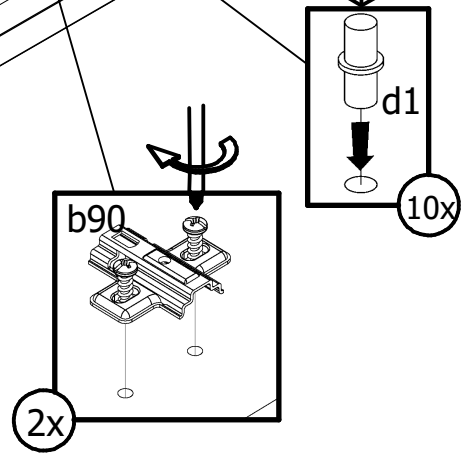
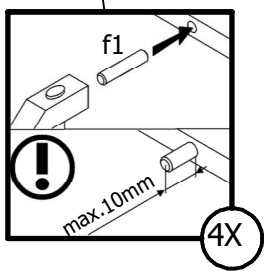
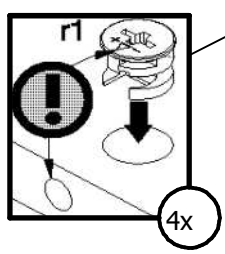
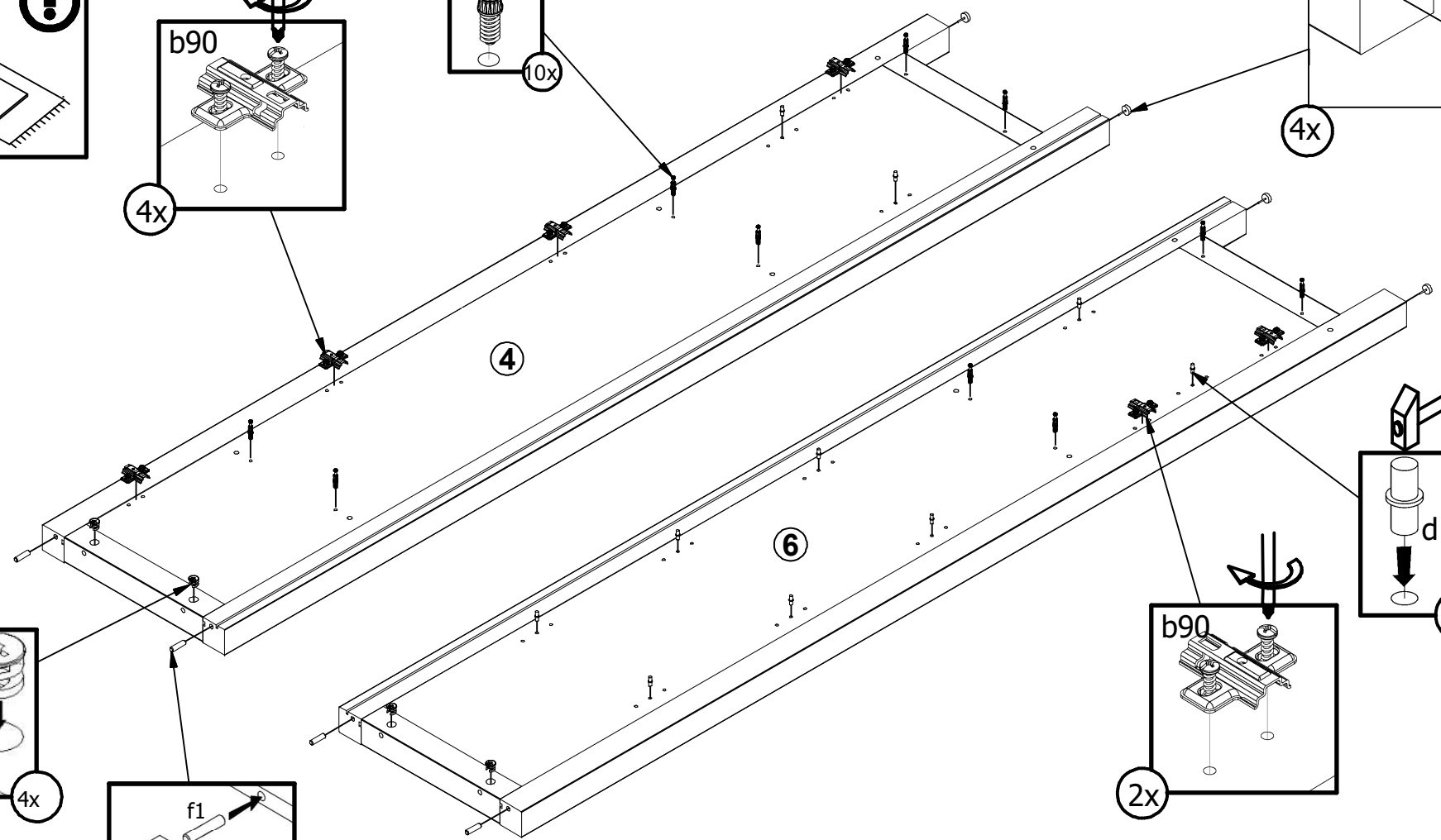
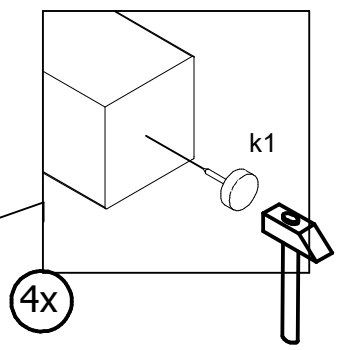
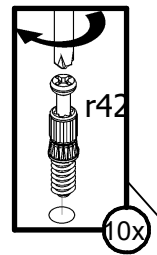
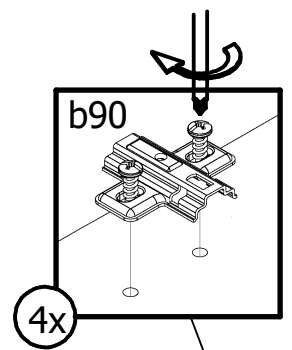
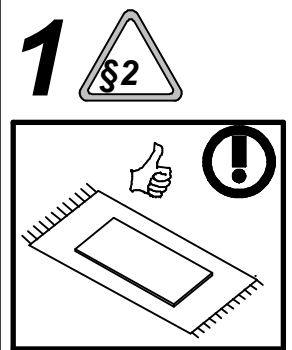


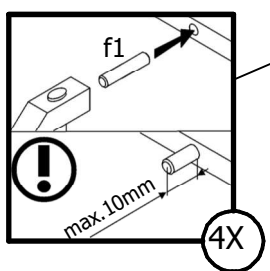
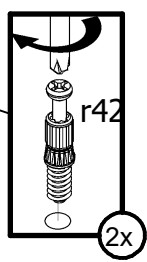
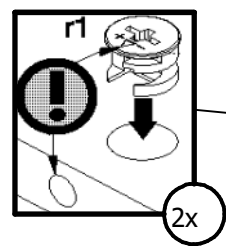
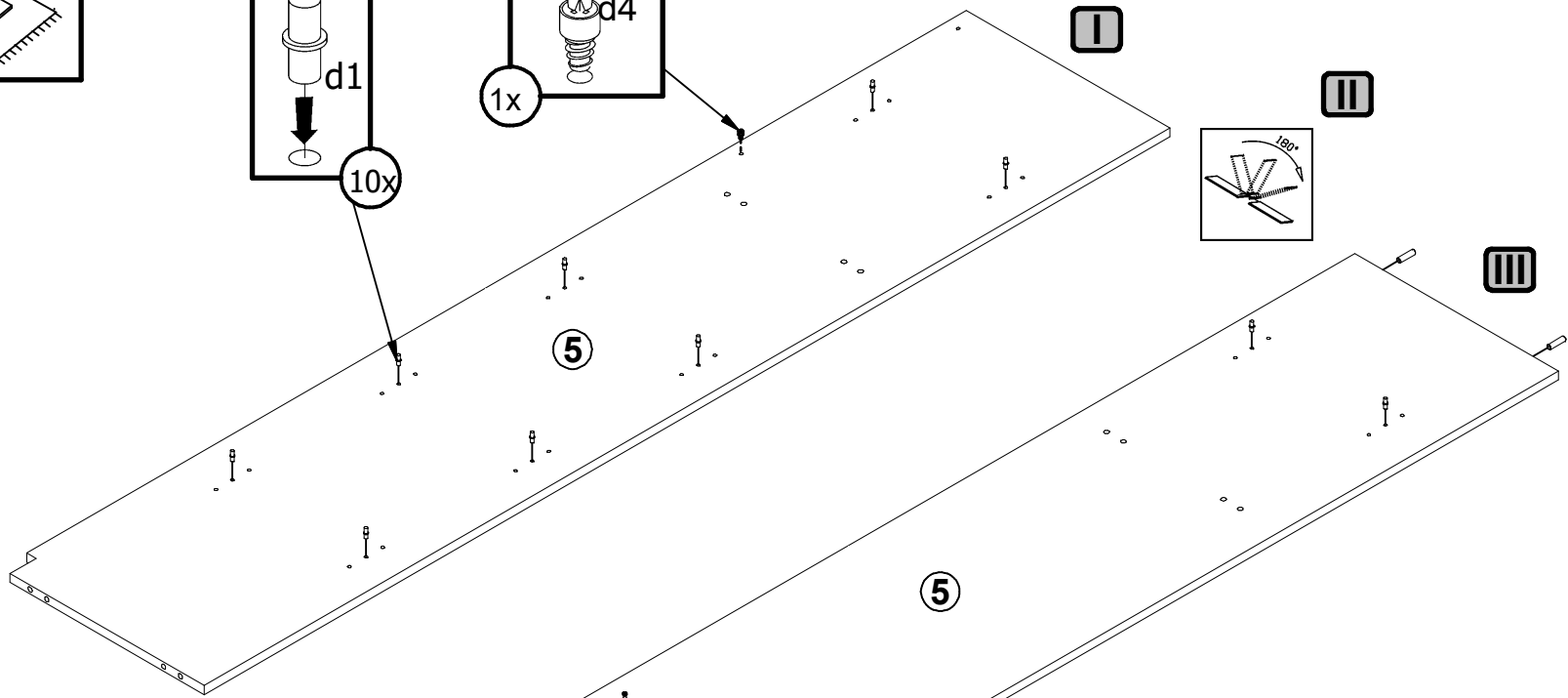
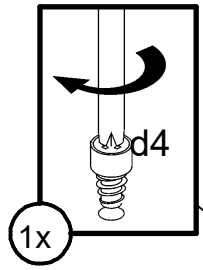
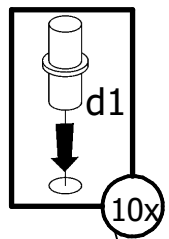
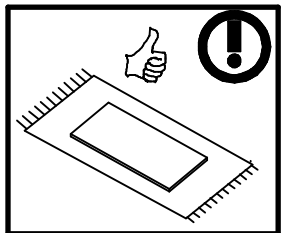
A	B	W	C1	C2	C3	D
1	S503-5005	-	134	50	50	1/3
2	S515-0021	-	1794	442	19	3/3
3	S515-0020	-	486	442	19	3/3
4	S515-1045	-	2000	413	50	1/3
5	S515-1046	-	1851	390	15	3/3
6	S515-1047	-	2000	413	50	1/3
7	S515-2001	A	1060	438	28	1/3
8	S515-3001	A	911	372	15	1/3
9	S515-3002	A	448	370	15	1/3
10	S515-3026	-	448	372	15	1/3
11	S515-3027	-	448	372	15	1/3
12	S515-3003	A	447	362	15	1/3
13	S515-5201	-	911	50	19	3/3
14	S515-5202	-	448	50	19	3/3
15	S515-9001	-	1869	460	2,5	3/3

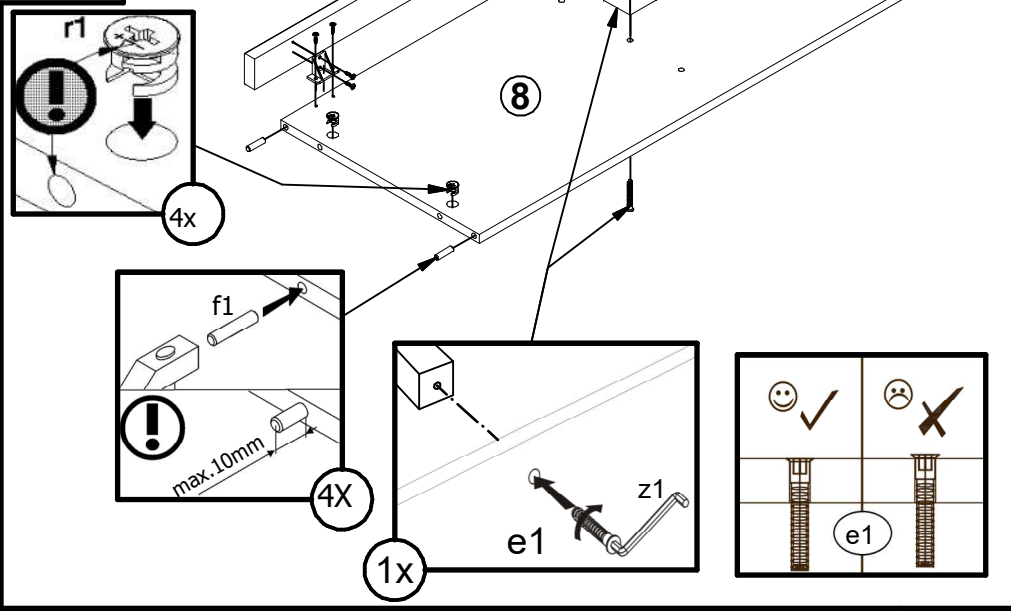
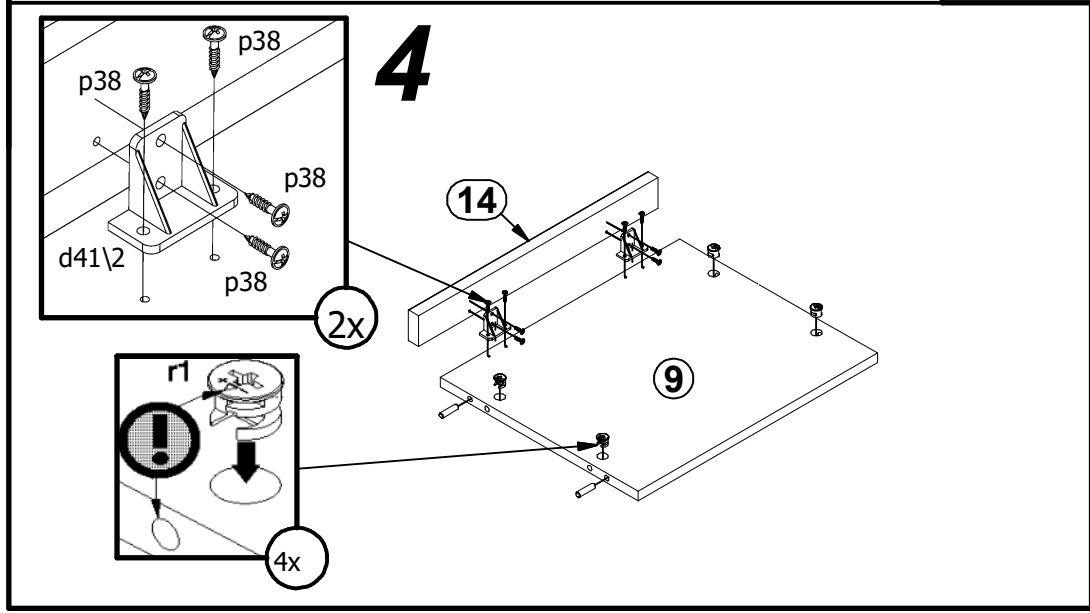
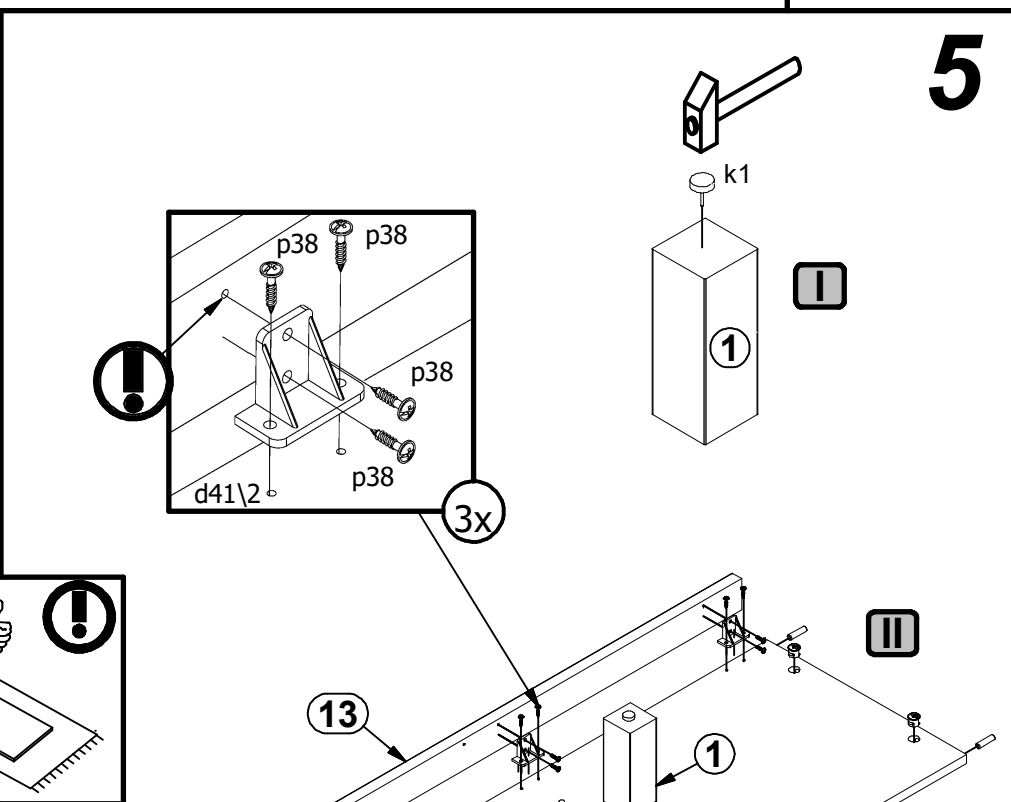
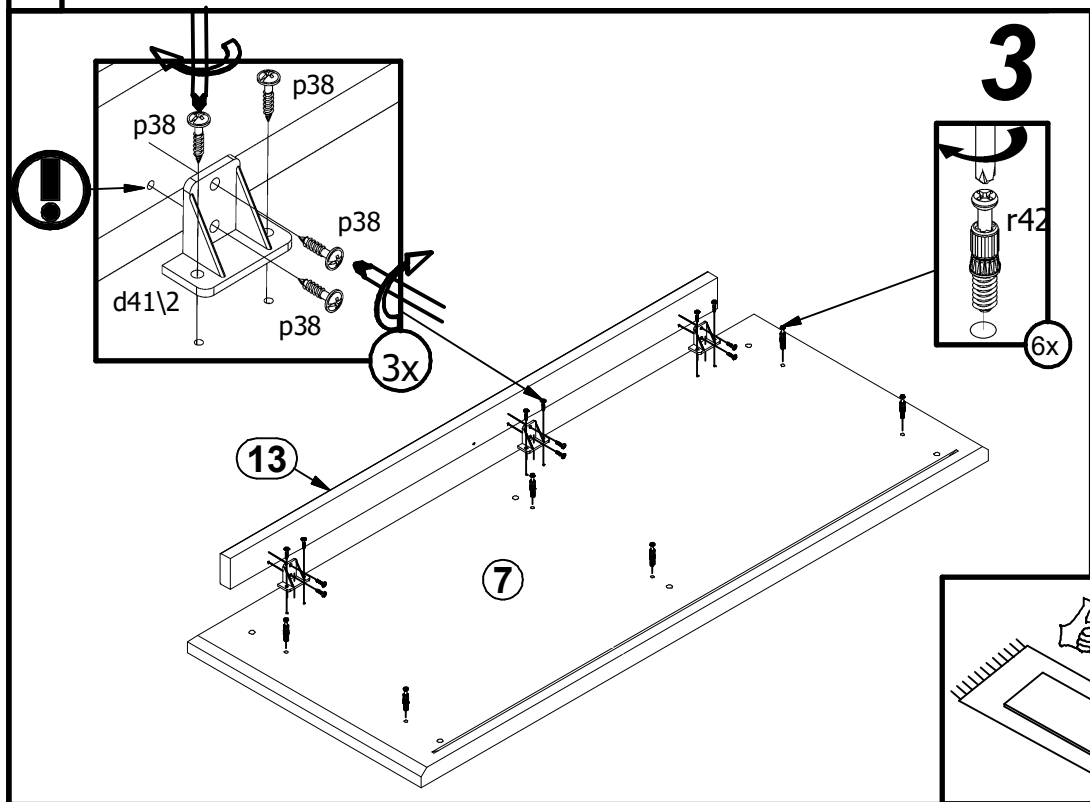
6x K16, 435 a203	6x b90	2x c475	20x Ø5x17 mm d1
1x Ø6.3x15 mm d4	8x d41 2	3x Ø7x50 mm e1	20x Ø8x30 mm f1
2x Ø8x50 mm f6	1x g76 2	2x M4x25 mm j53	2x M4x25 mm j8
5x k1	12x l2	12x 20x13x3,5 1 n108	34x Ø3,5x16 mm p38
12x Ø3,5x15 mm p51	24x Ø2,9x16 mm p55	22x Ø15x12 mm #16 r1	2x r10
18x 20/11 r42	10x Ø20mm s68	1x z1	

1x 88x21x18 1,5 n14 2	1x Ø5x60 mm p17	1x Ø10x50 mm f35	2x Ø3,5x16 mm p38
-----------------------------	-----------------------	------------------------	-------------------------

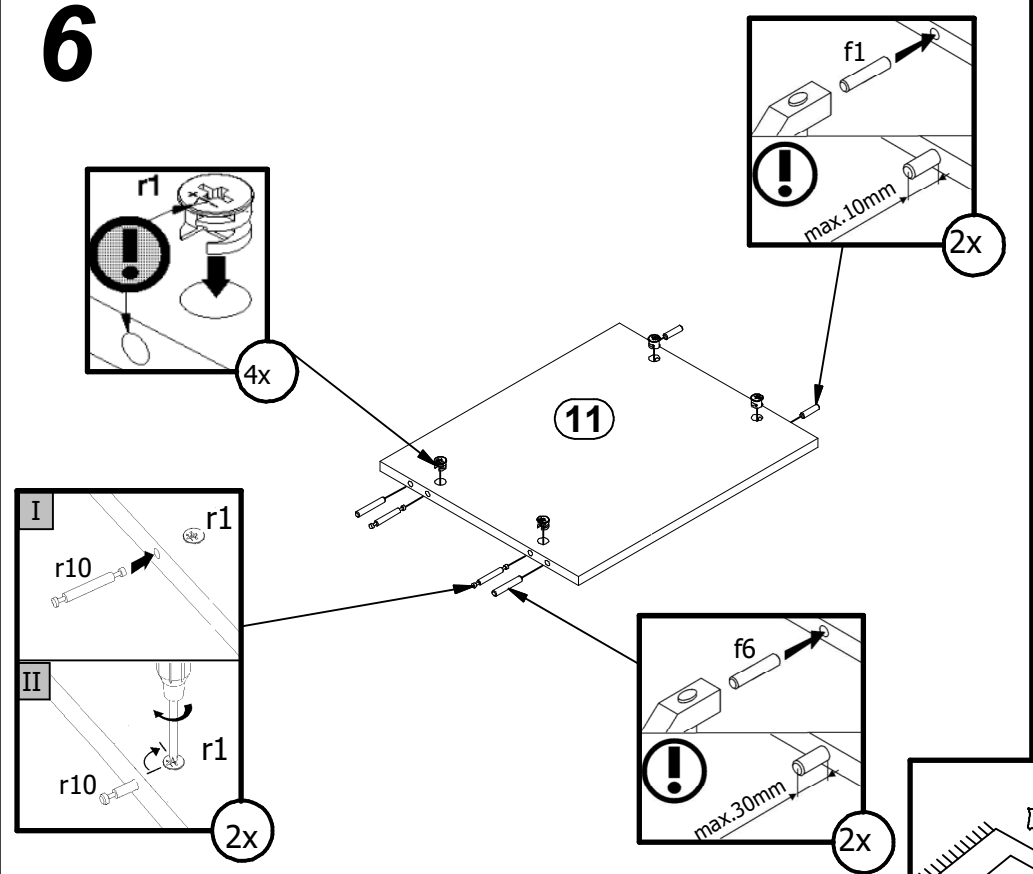




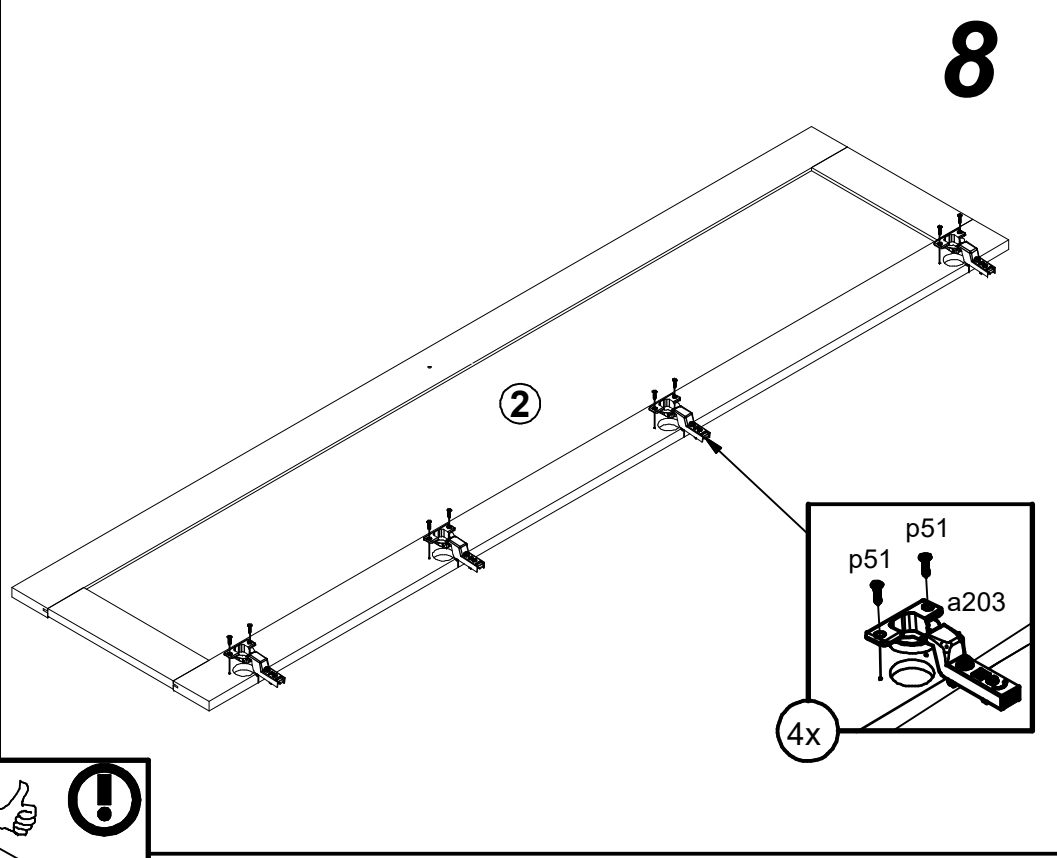




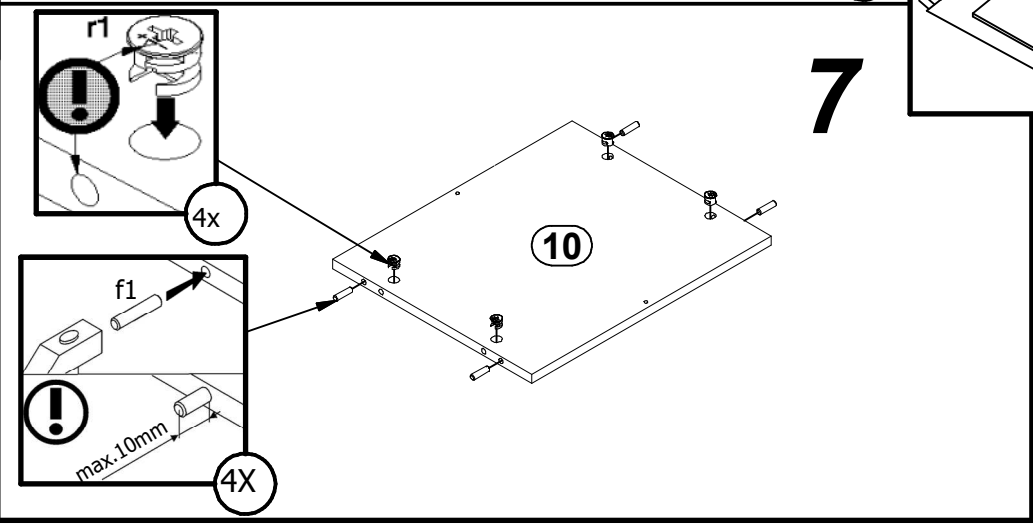
6



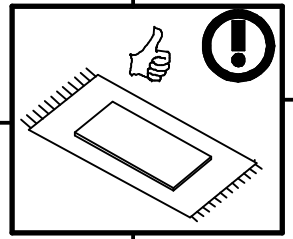
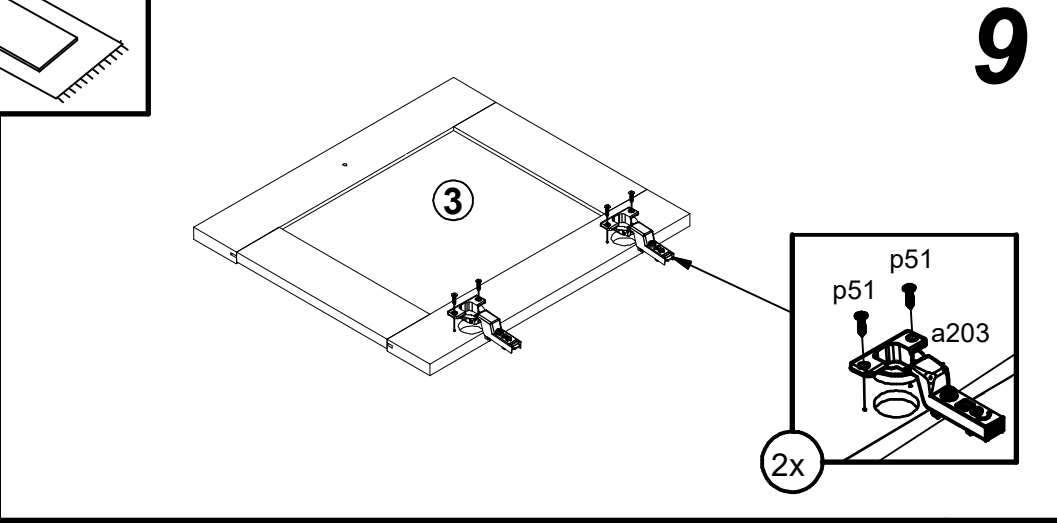
8



7



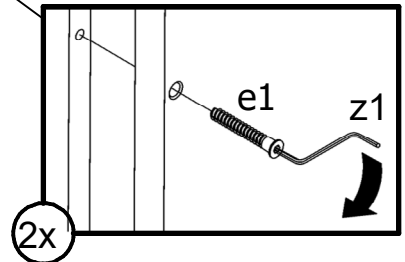
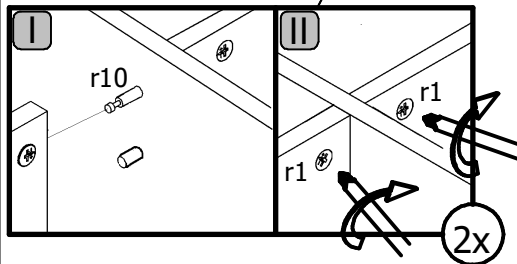
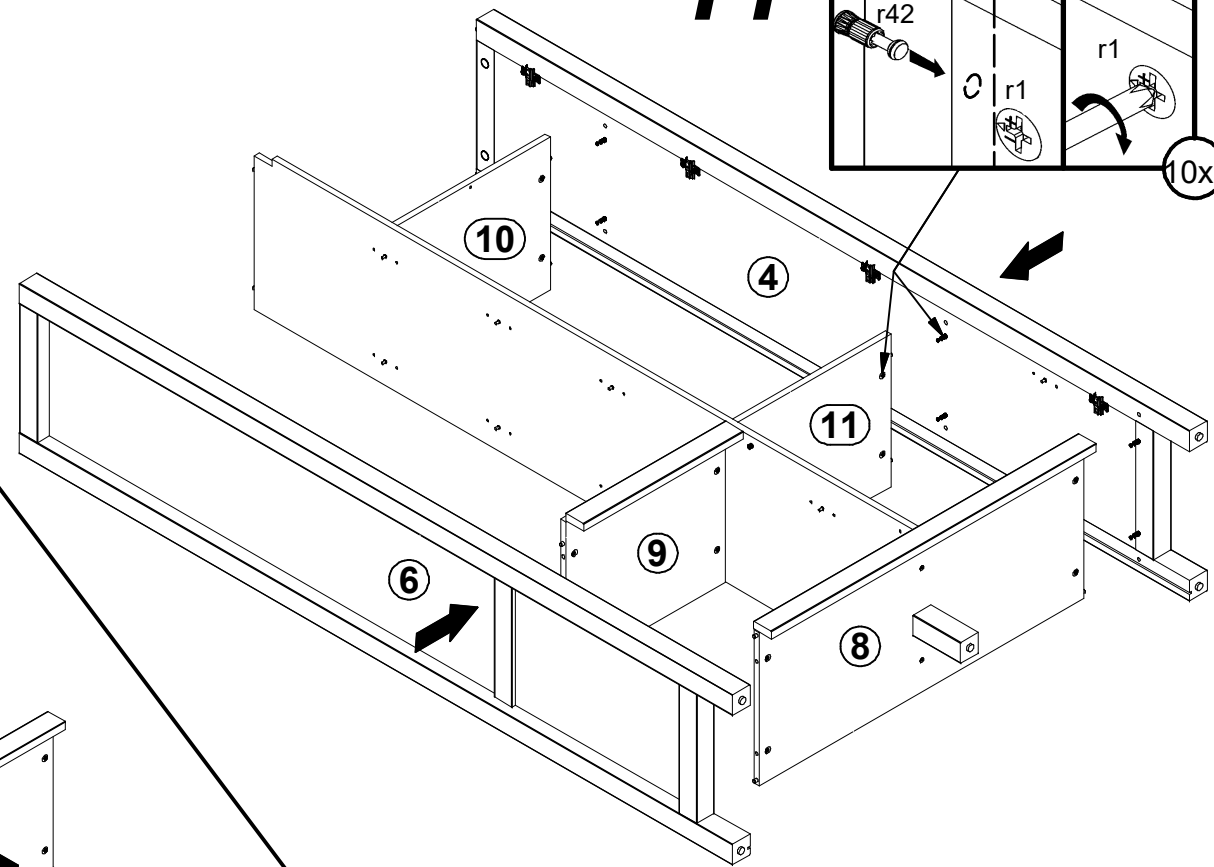
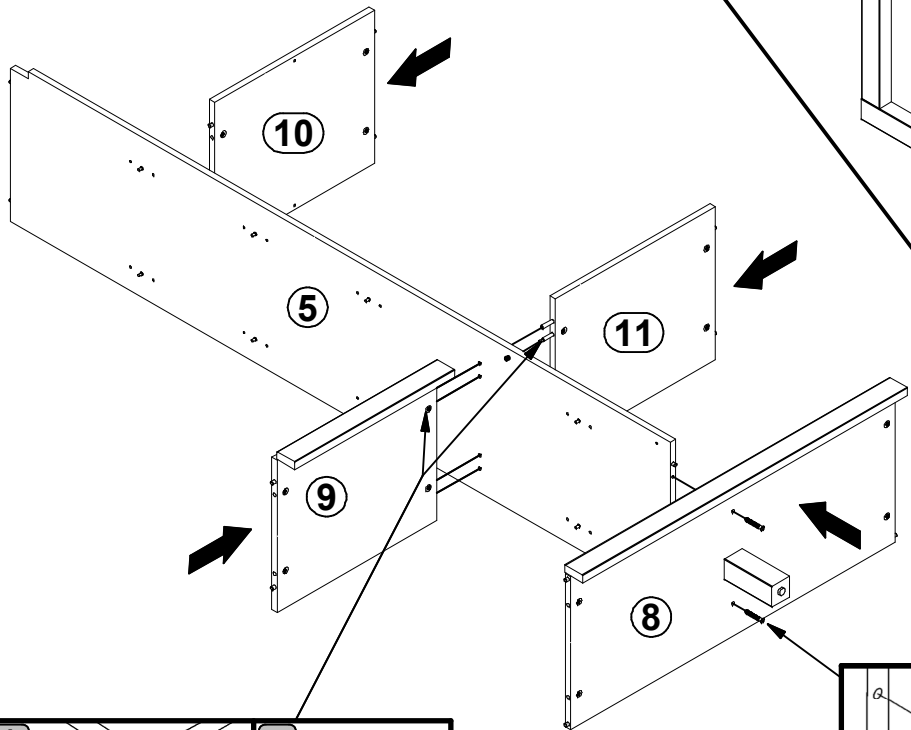
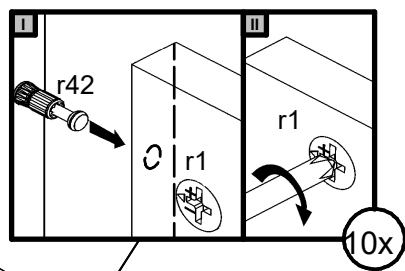
9



10

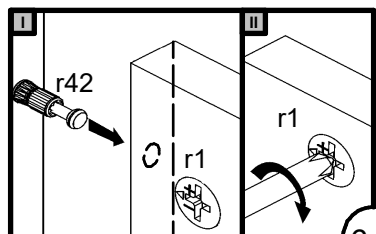


11

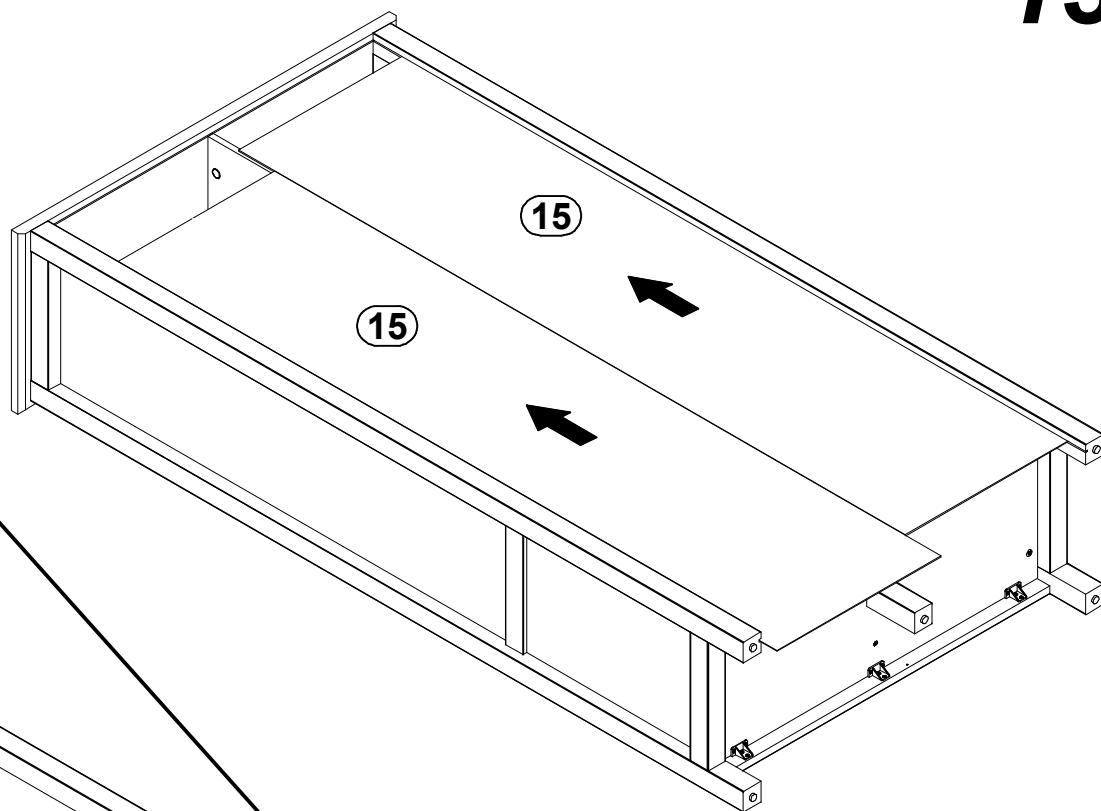
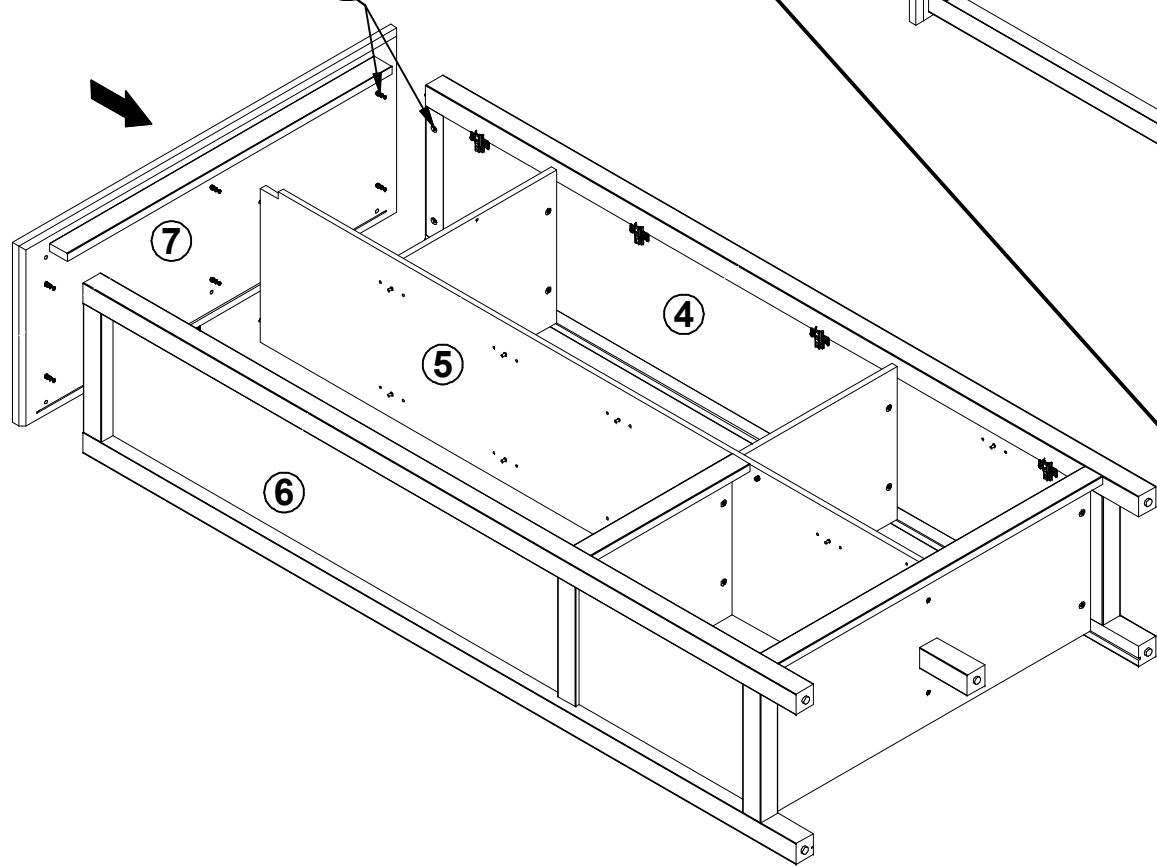
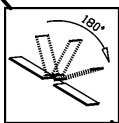


12

13



6x

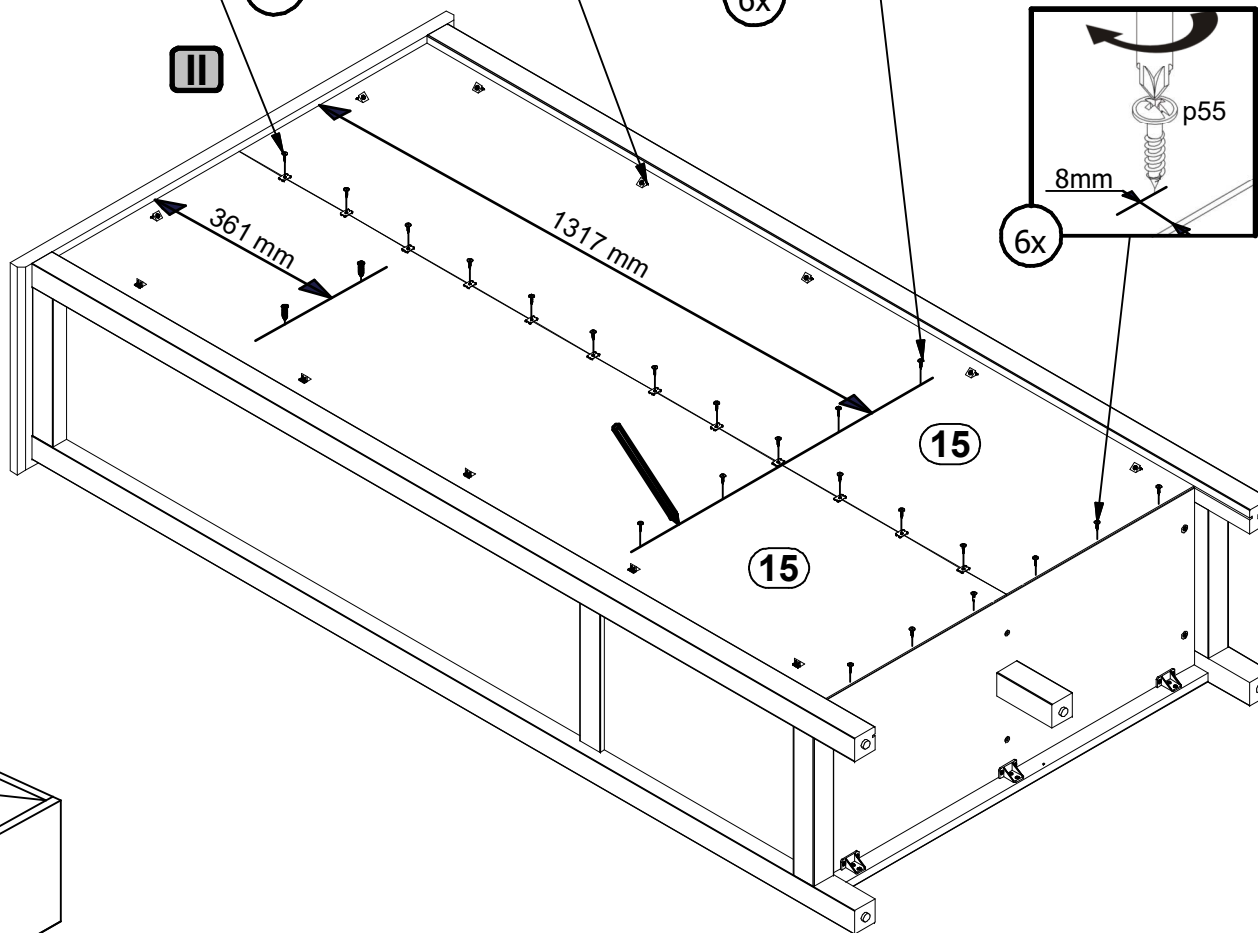
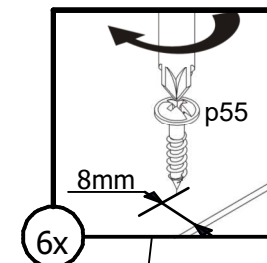
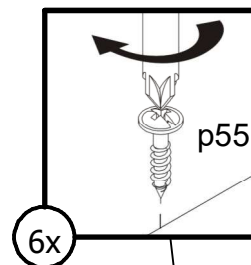
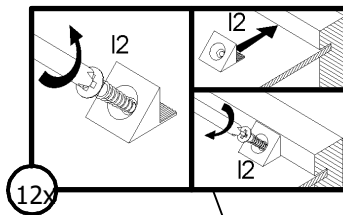
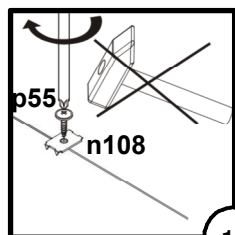
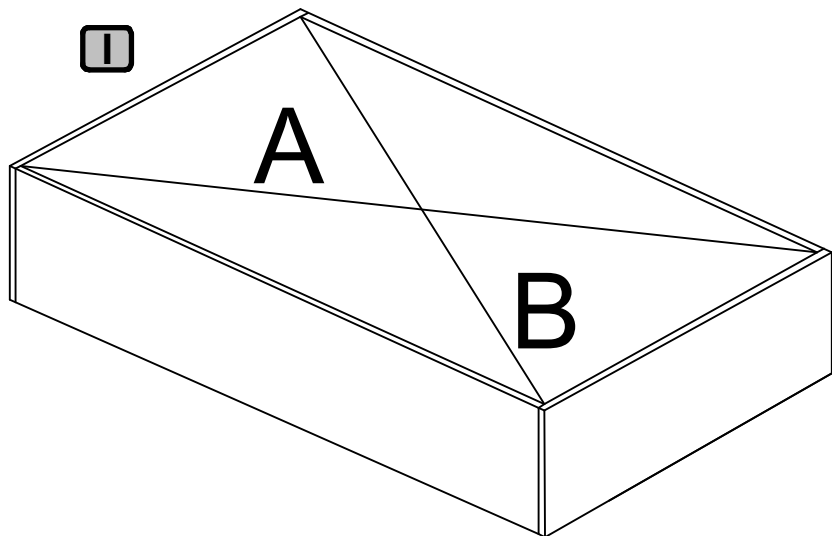


14

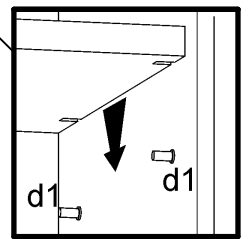
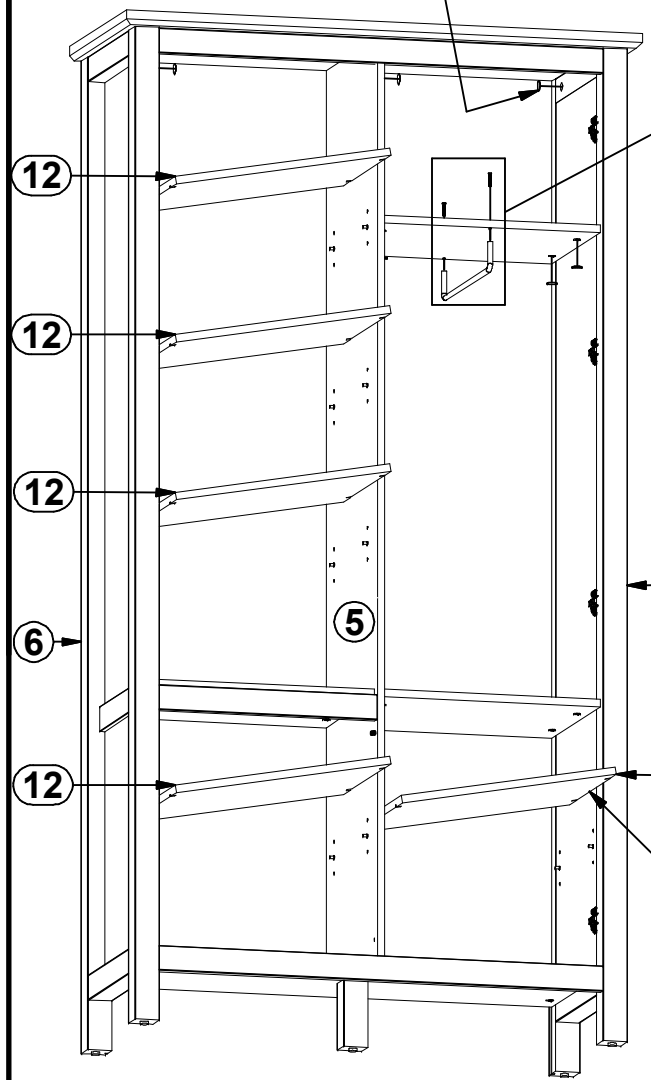
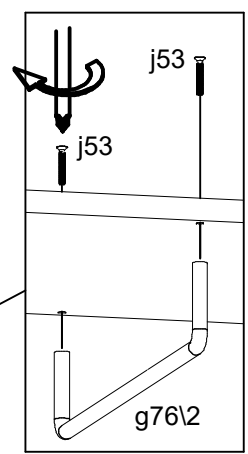
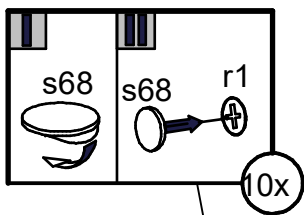


⚠ A=B

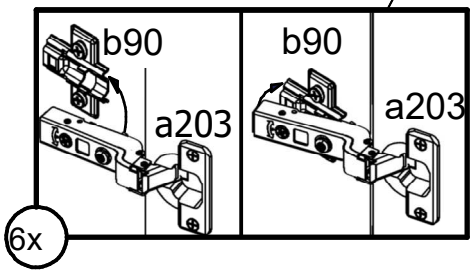
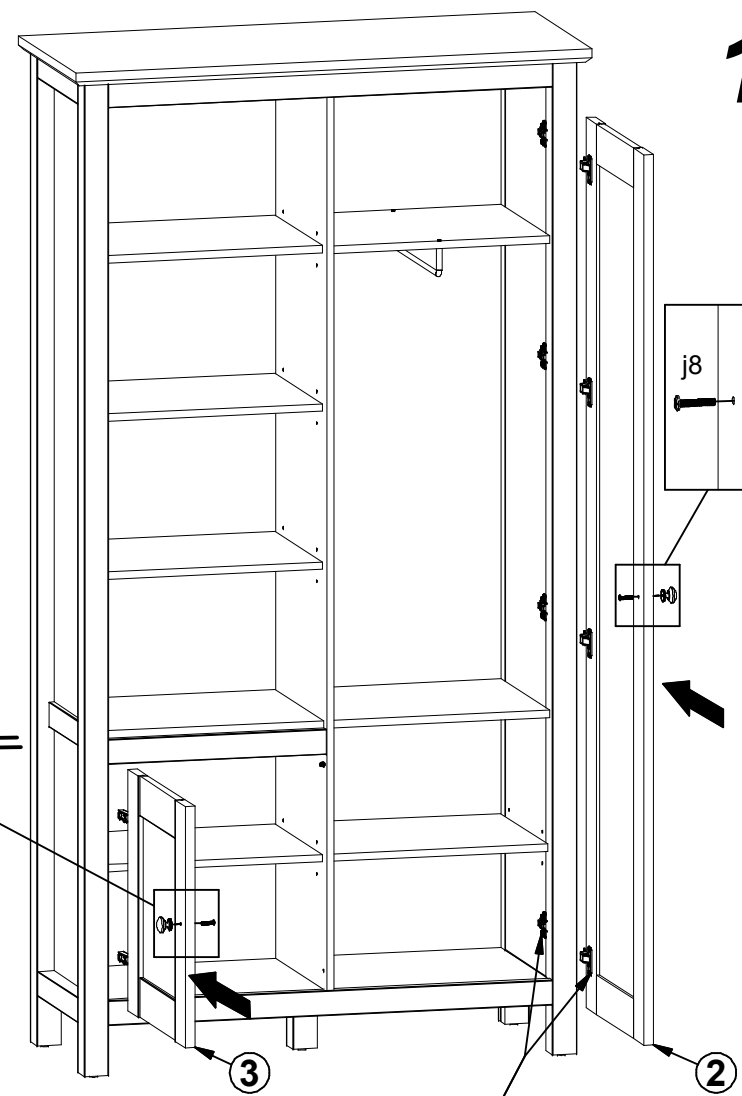
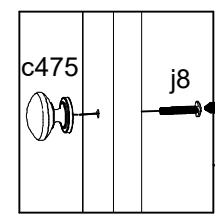
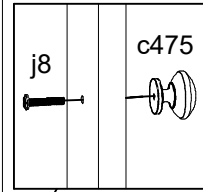
I

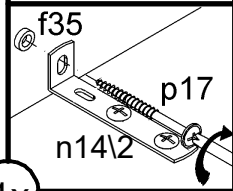
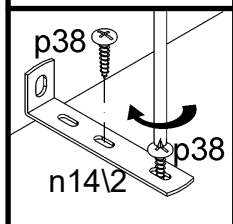
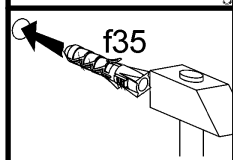
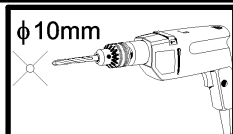


15



16





1x

