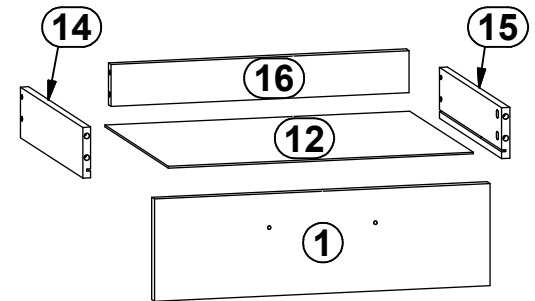
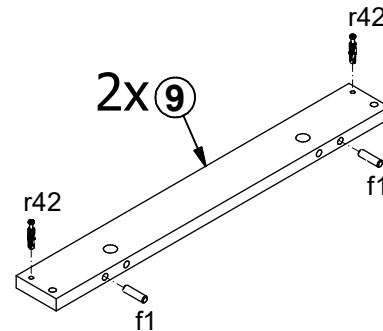
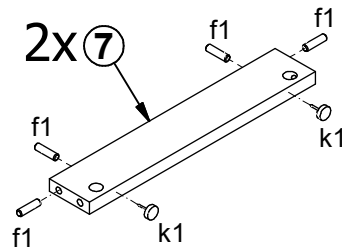
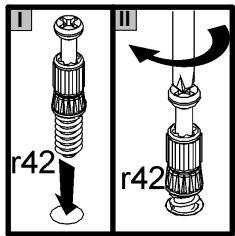
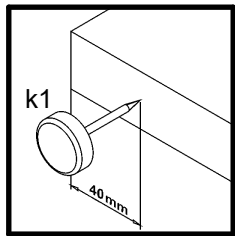
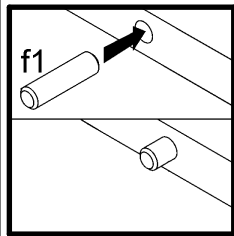
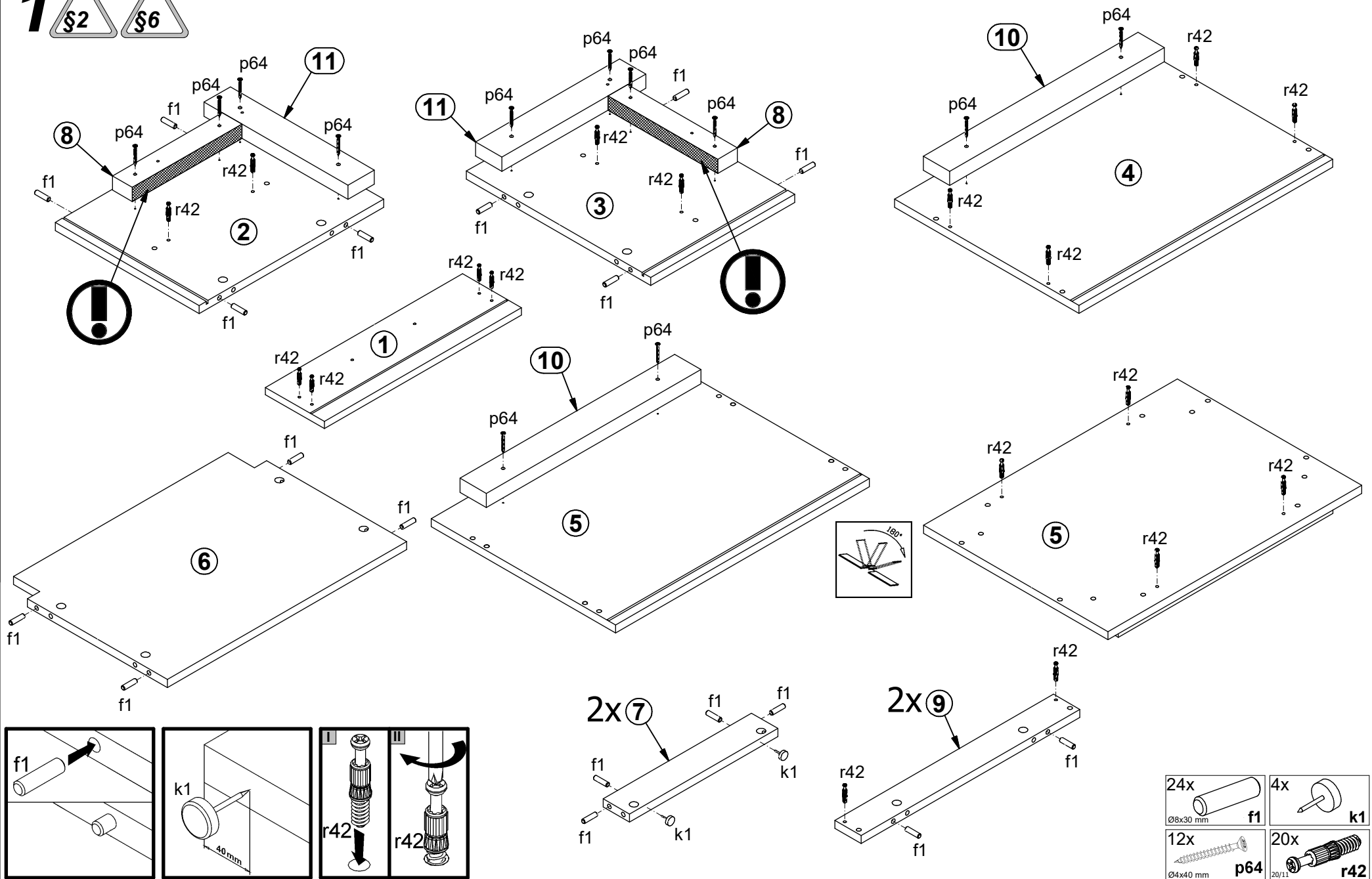


A	B	C (mm)			D
1	S605-0022	505	151	16	1/1
2	S605-1020	328	420	16	1/1
3	S605-1021	328	420	16	1/1
4	S605-2005	578	420	16	1/1
5	S605-2006	578	420	16	1/1
6	S605-3009	545	379	16	1/1
7	S605-4004	338	60	16	1/1
8	S605-4008	250	45	28	1/1
9	S605-4011	498	60	16	1/1
10	S605-4012	489	60	28	1/1
11	S605-4013	328	60	28	1/1
12	S605-9003	459	357	2,5	1/1
13	S605-9004	555	338	2,5	1/1
14	ZQ6-527	350	75	12	1/1
15	ZQ6-528	350	75	12	1/1
16	ZQ6-5350	449	62	15	1/1



D
1/1

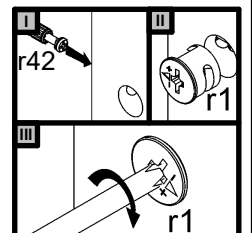
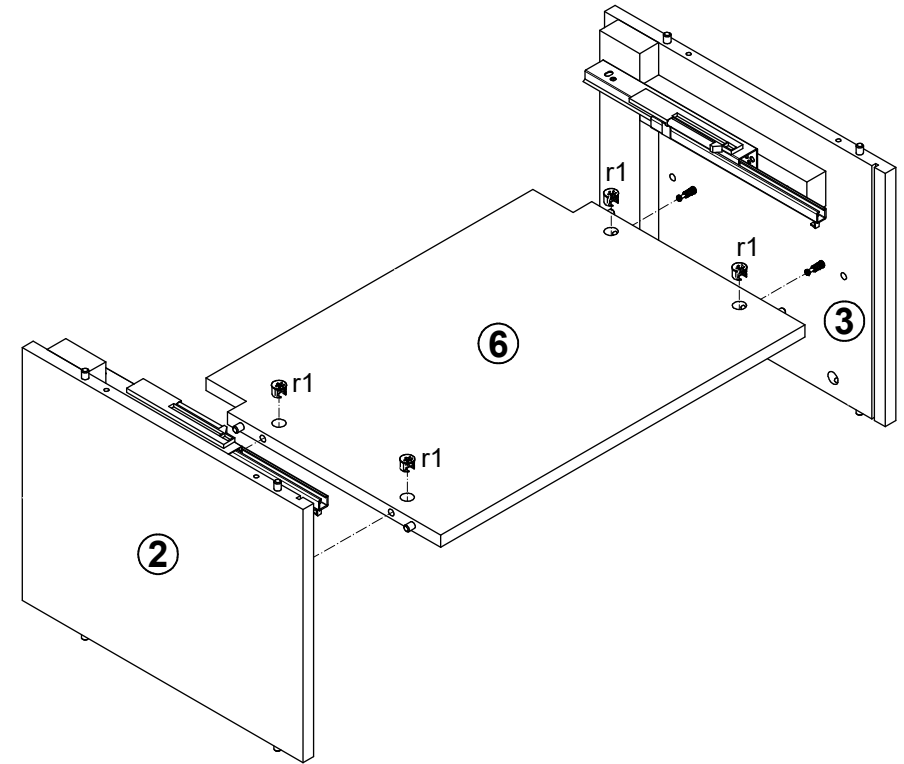
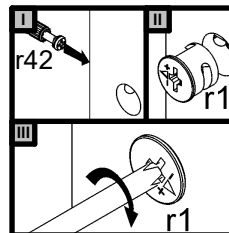
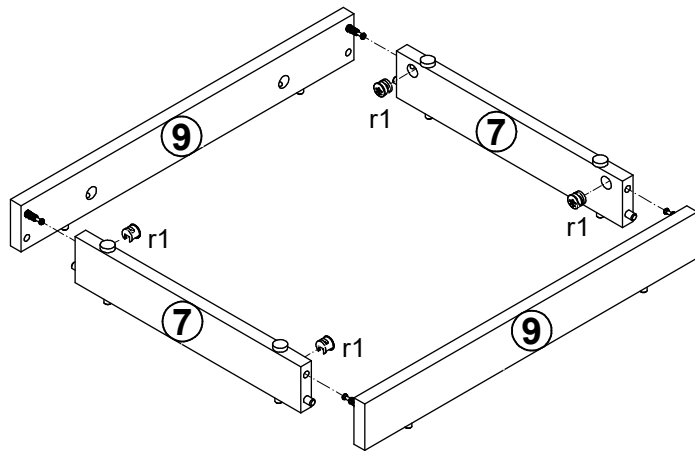
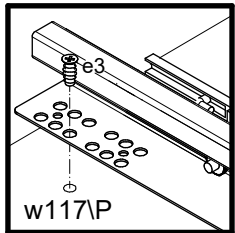
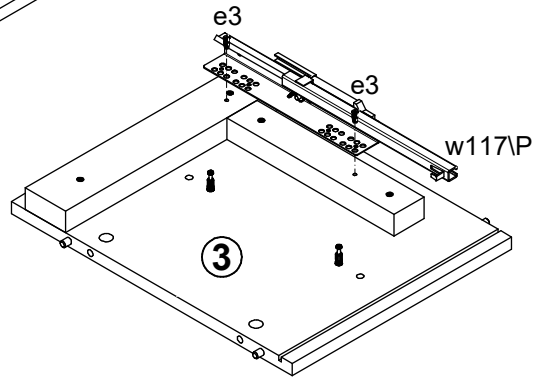
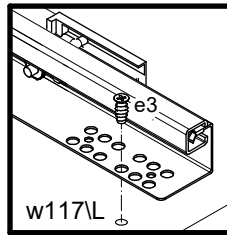
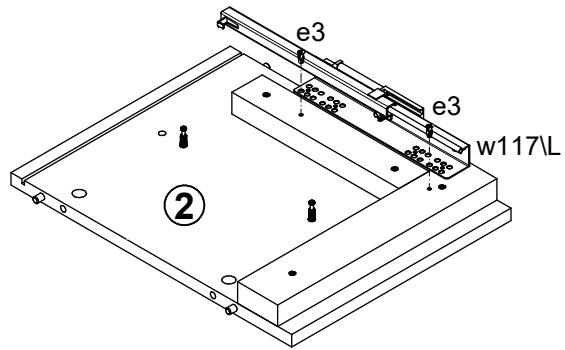
1x  c559/3	4x  e1 Ø7x50 mm	4x  e3 Ø6x13 mm	24x  f1 Ø8x30 mm	4x  f25 Ø6,5x40 mm	2x  j30 M4x22 mm	4x  k1	4x  l2	1x  n26	1x  p38 Ø3,5x16 mm	6x  p55 Ø2,9x16 mm	12x  p64 Ø4x40 mm	16x  r1 Ø15x12 mm #16
4x  r15 Ø12x10,5 mm #12	20x  r42 20/11	2x  s59 Ø14x0,5 mm	4x  s68 Ø 20mm	1x  W117/L 350 mm	1x  W117/P 350 mm	1x  z1 4 mm						



24x Ø8x30 mm f1	4x k1
12x Ø4x40 mm p64	20x 20/11 r42

2 §2 §6

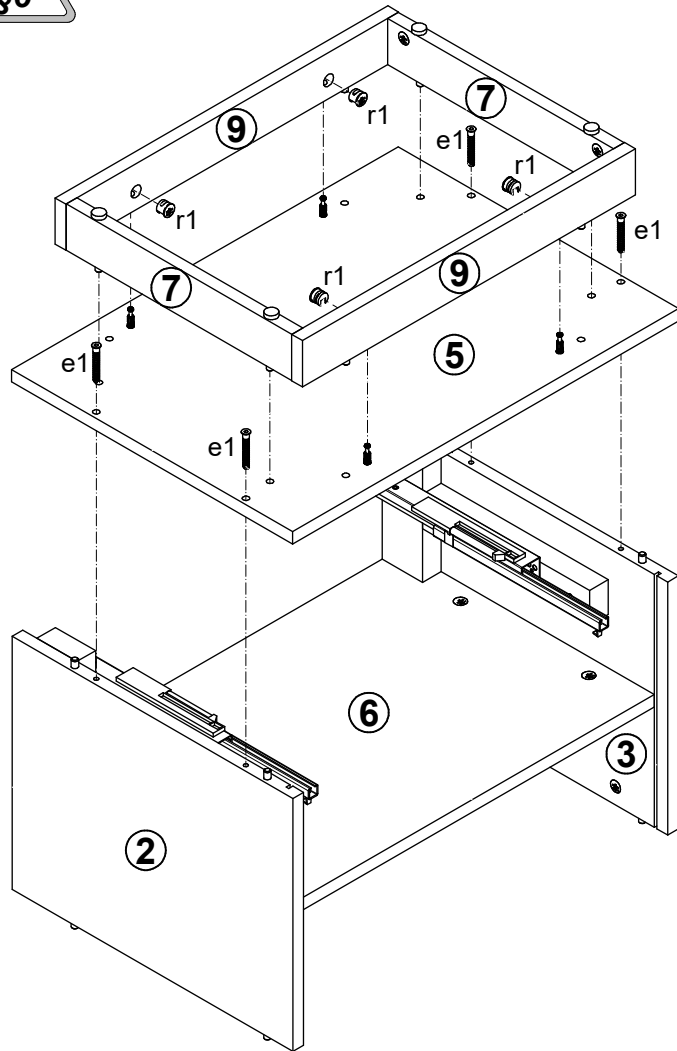
3 §6



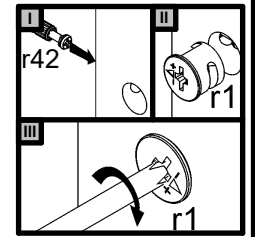
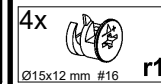
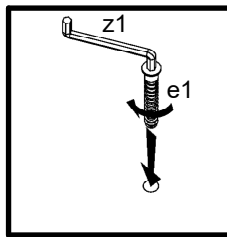
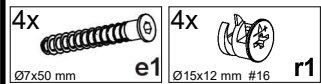
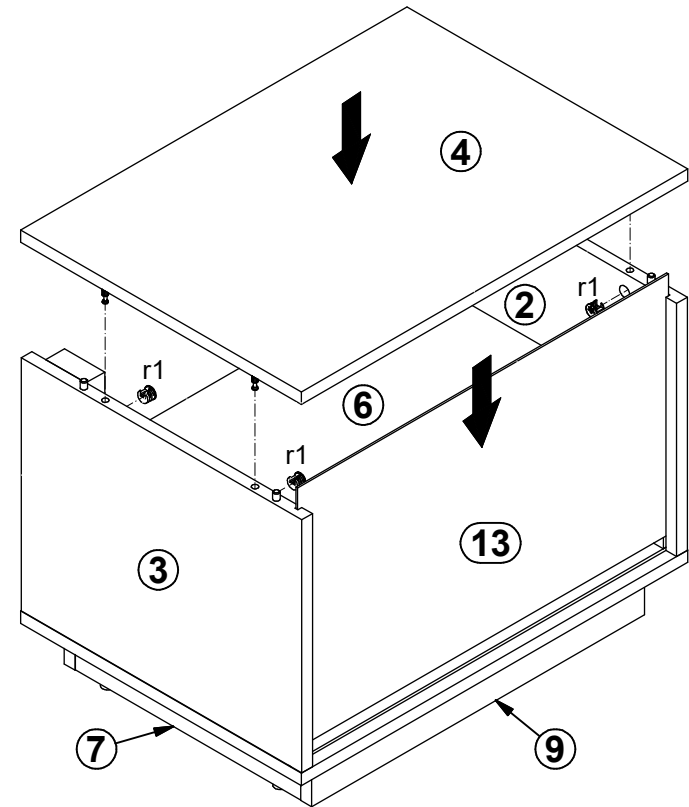
- 4x Ø6x13 mm e3
- 4x Ø15x12 mm #16 r1
- 1x 350 mm W117L
- 1x 350 mm W117P

- 4x Ø15x12 mm #16 r1

**4** 

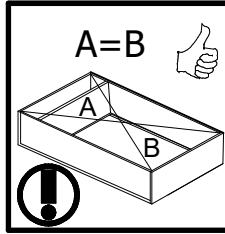
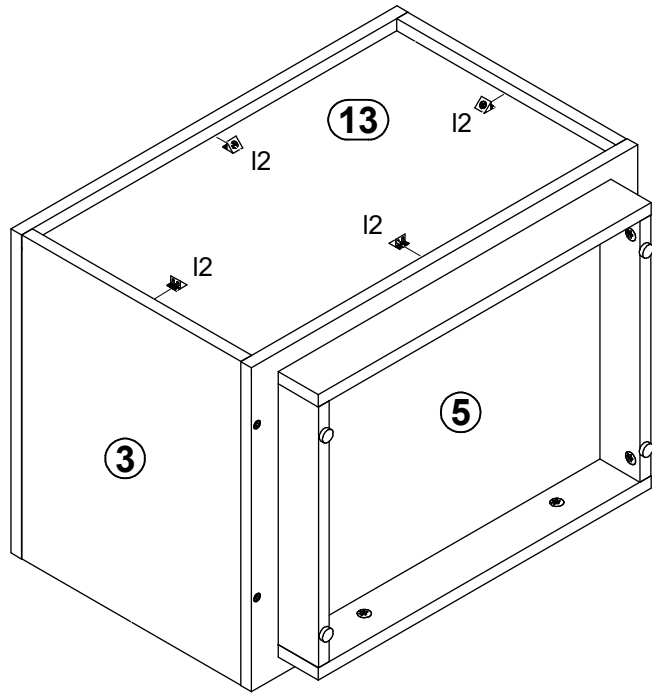


**5** 



# 6

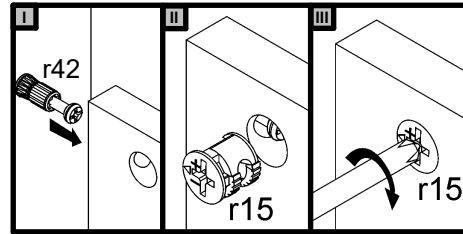
§6



# 7

§6

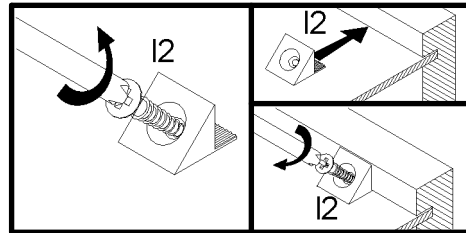
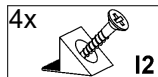
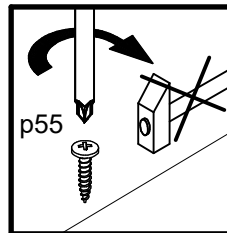
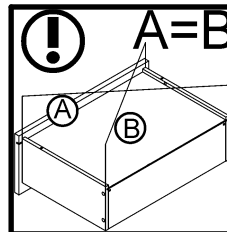
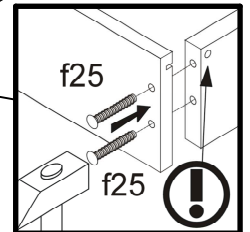
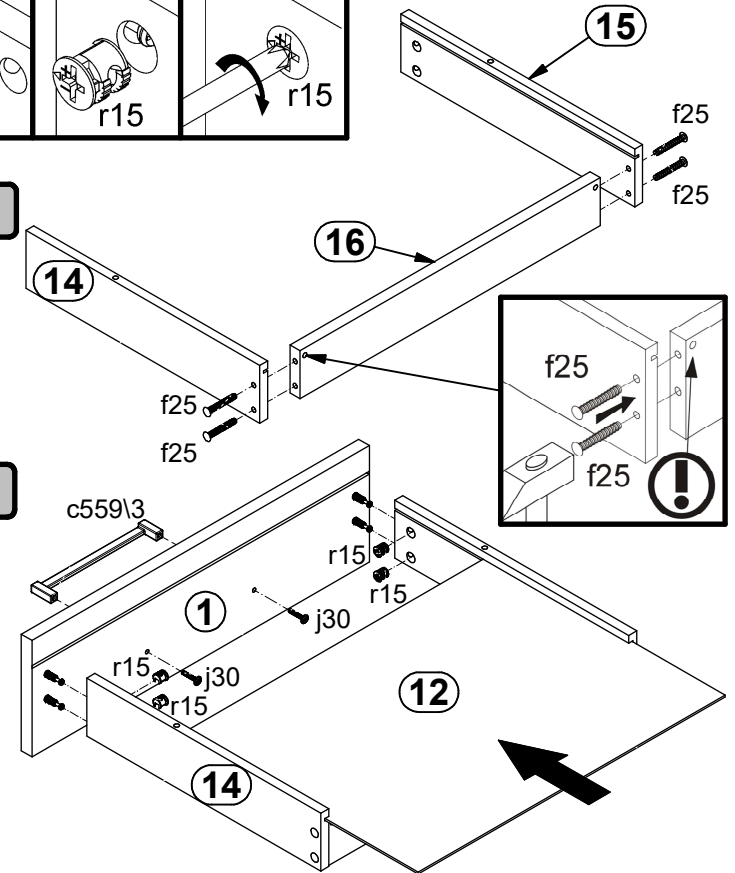
- 1x **c559\3**
- 4x **f25**  
Ø6,5x40 mm
- 2x **j30**  
M4x22 mm
- 4x **p55**  
Ø2,9x16 mm
- 4x **r15**  
Ø12x10,5 mm #12



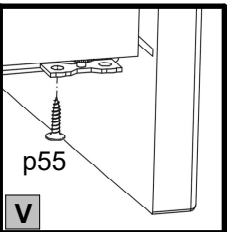
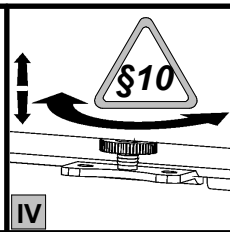
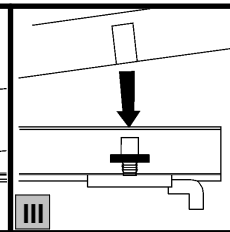
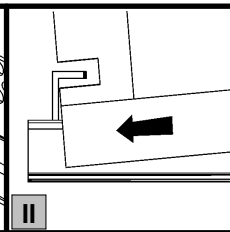
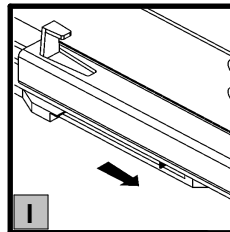
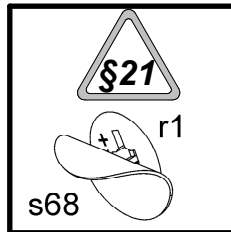
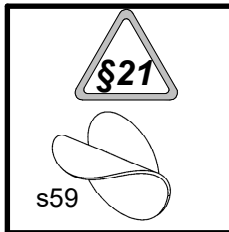
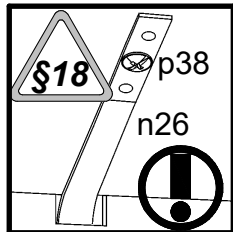
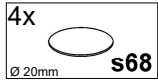
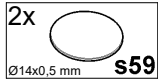
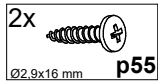
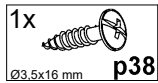
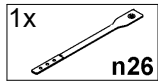
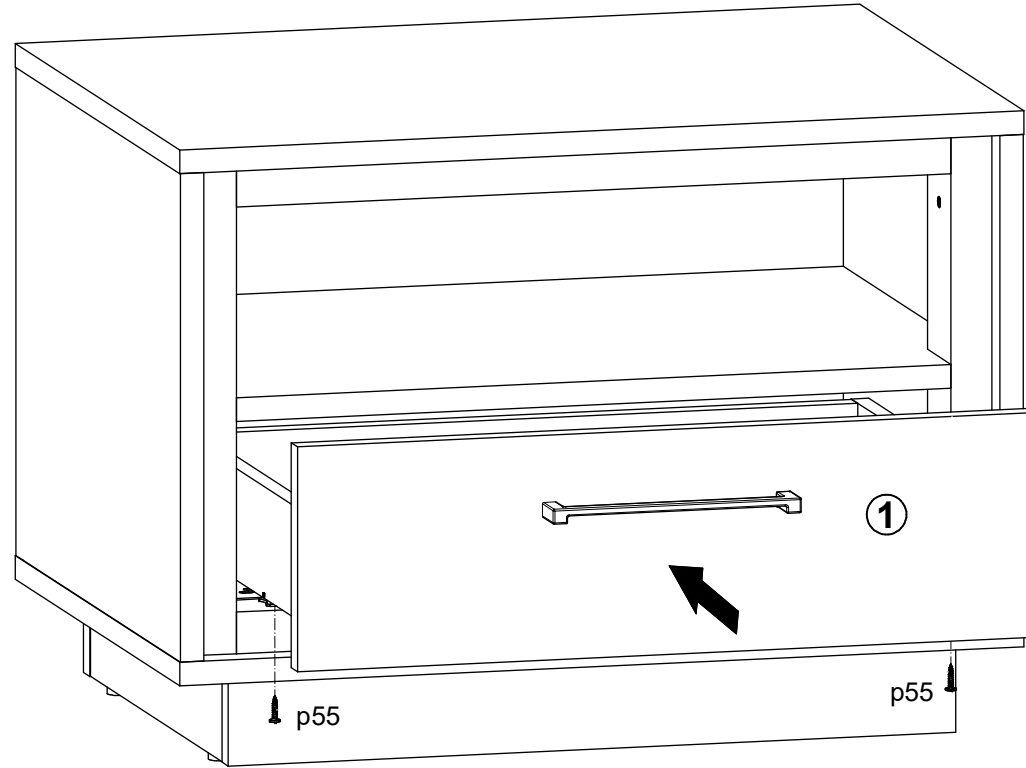
I

II

III



8 



9

