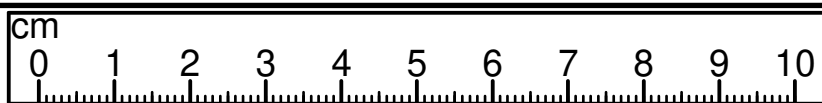
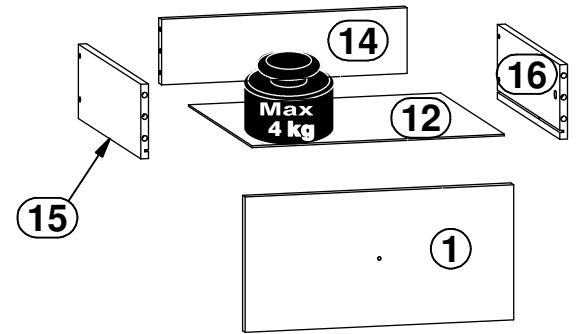


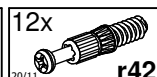
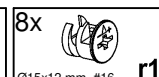
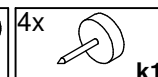
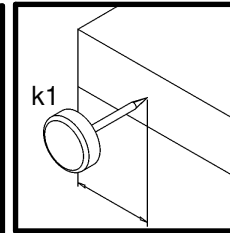
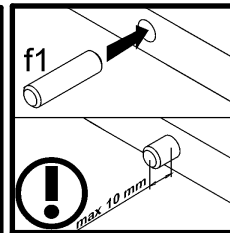
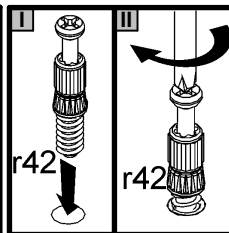
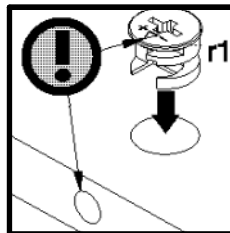
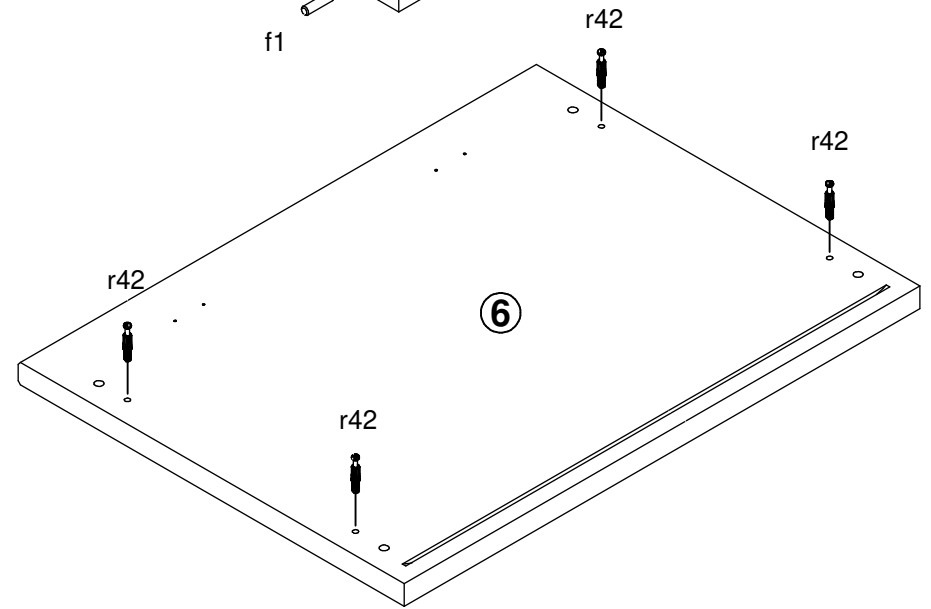
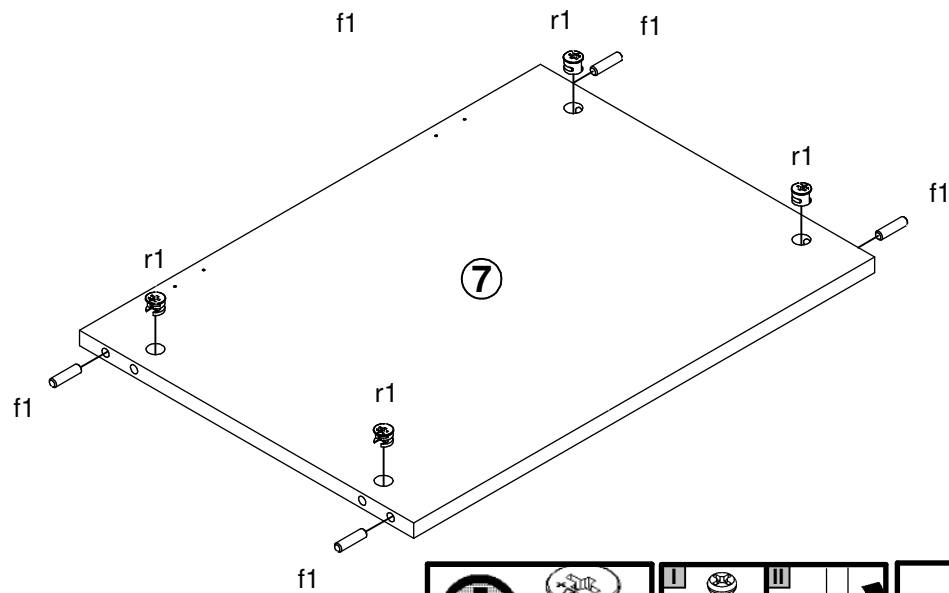
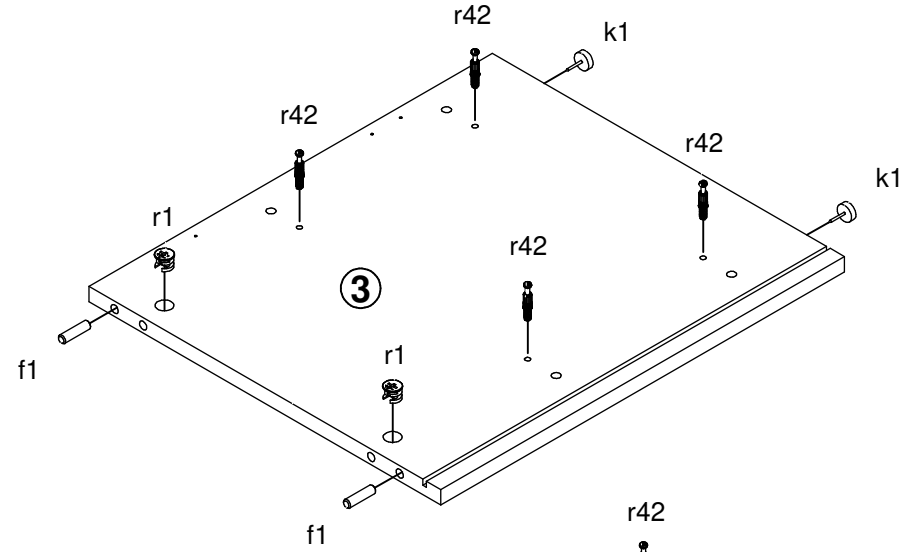
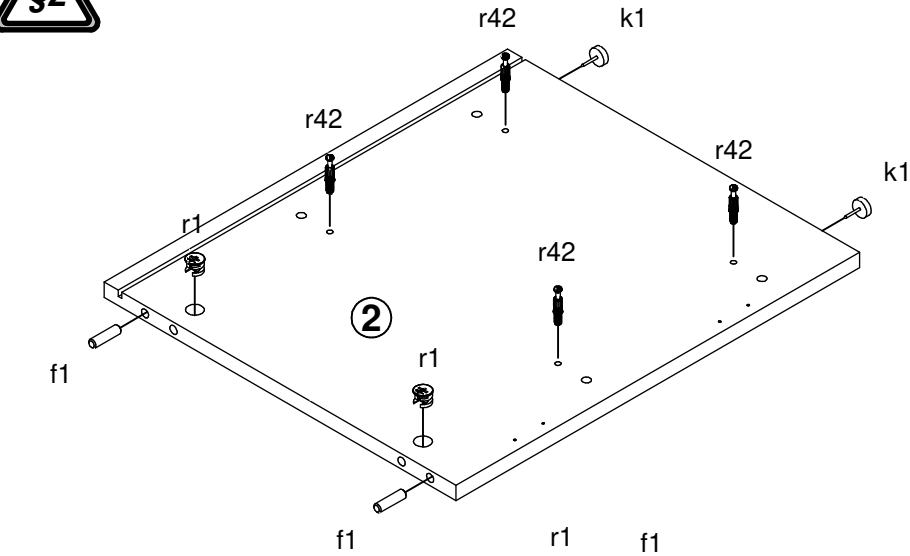
A	B	C (mm)			D
1	S611-0001	404	200	15	1/1
2	S611-1001	453	395	15	1/1
3	S611-1002	453	395	15	1/1
4	S611-1003	182	375	15	1/1
5	S611-1004	182	375	15	1/1
6	S611-2001	579	433	22	1/1
7	S611-3001	517	375	15	1/1
8	S611-3002	517	375	15	1/1
9	S611-5001	549	80	22	1/1
10	S611-5002	549	43	22	1/1
11	S611-5003	330	70	19	1/1
12	S611-9001	380	357	2,5	1/1
13	S611-9002	384	528	2,5	1/1
14	ZQ6-5368	370	97	15	1/1
15	WSQ2-5005	350	110	12	1/1
16	WSQ2-5006	350	110	12	1/1



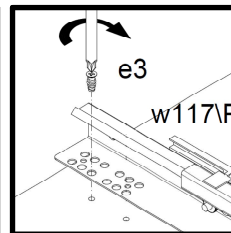
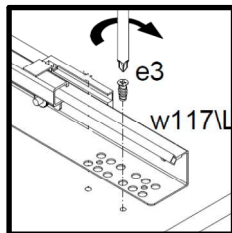
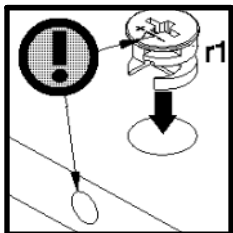
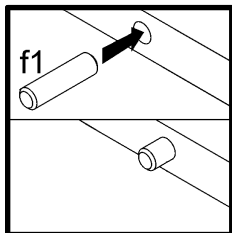
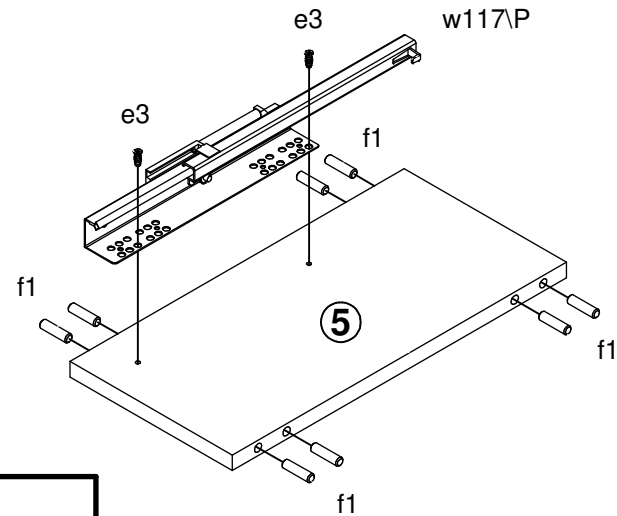
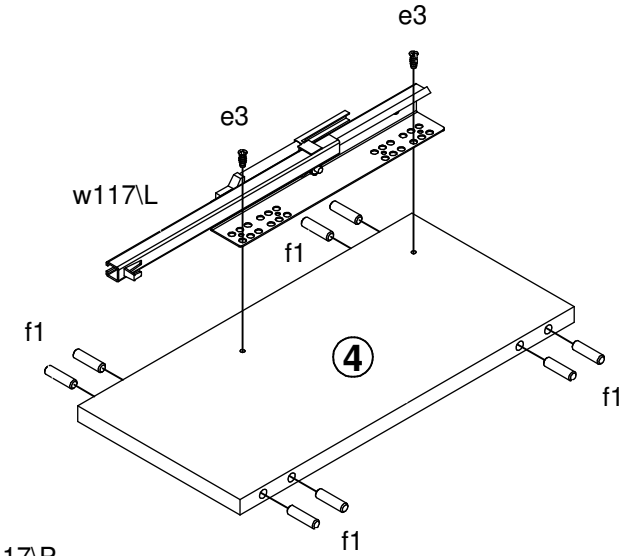
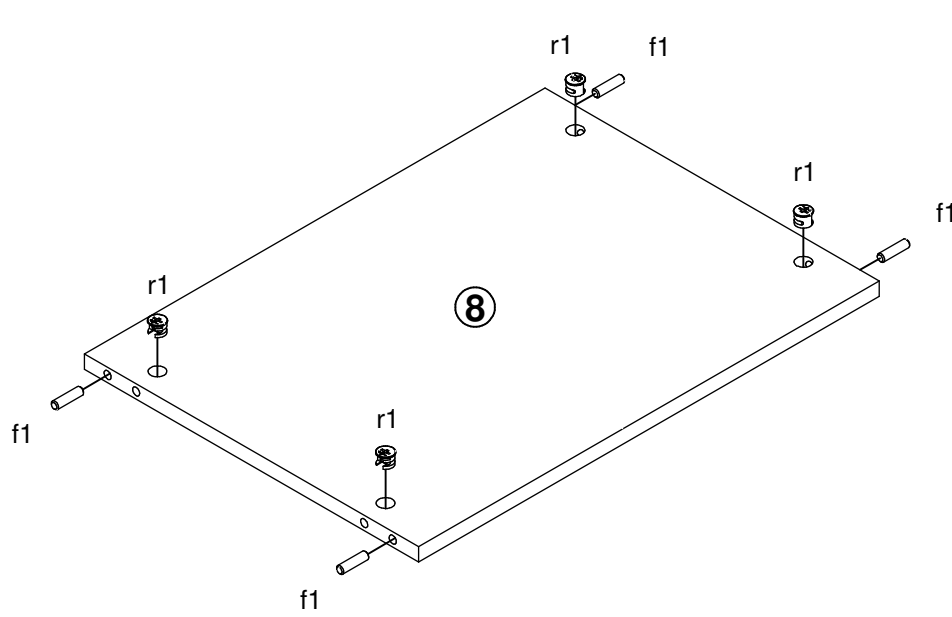
D
1/1






1x <b>c579</b>	8x <b>d41/2</b>	4x <b>e3</b> Ø6x13 mm	32x <b>f1</b> Ø8x30 mm	4x <b>f25</b> Ø6,5x40 mm	1x <b>j30</b> M4x22 mm	4x <b>k1</b>	3x <b>l2</b>	1x <b>n26</b>	1x <b>p38</b> Ø3,5x16 mm	32x <b>p38</b> Ø3,5x16 mm	9x <b>p55</b> Ø2,9x16 mm	12x <b>r1</b> Ø15x12 mm #16
2x <b>r15</b> Ø12x10,5 mm #12	14x <b>r42</b> 20/L1	8x <b>s68</b> Ø 20mm	1x <b>w117L</b> 350 mm	1x <b>w117P</b> 350 mm								

1



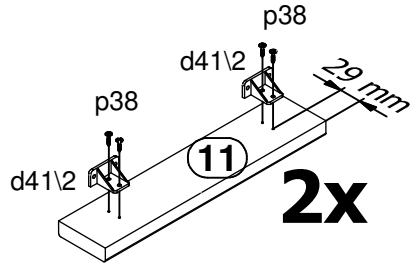
2 



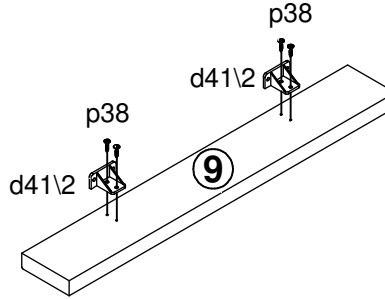
4x Ø6x13 mm  e3	20x Ø8x30 mm  f1	4x  r1	1x 350 mm  w117\P	1x 350 mm  w117\L
---	--	---	---	---

**3**  

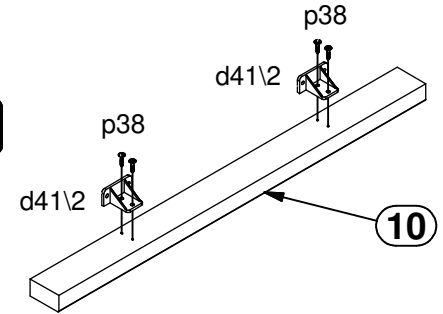
**I**



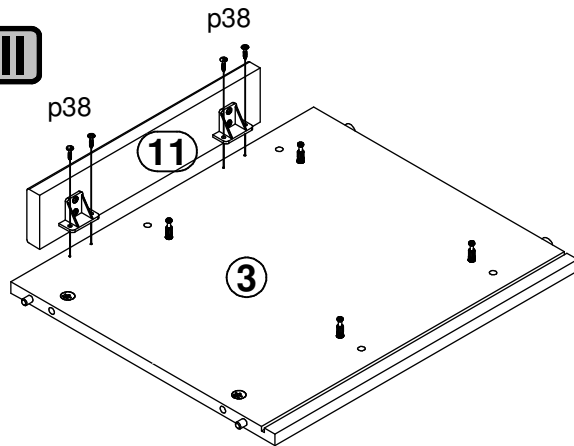
**I**



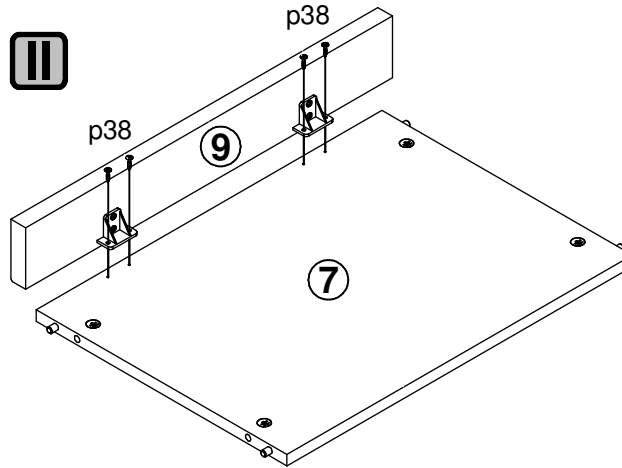
**I**



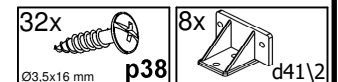
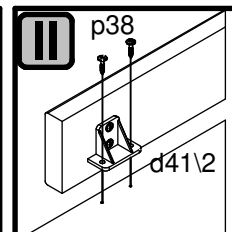
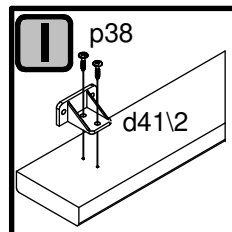
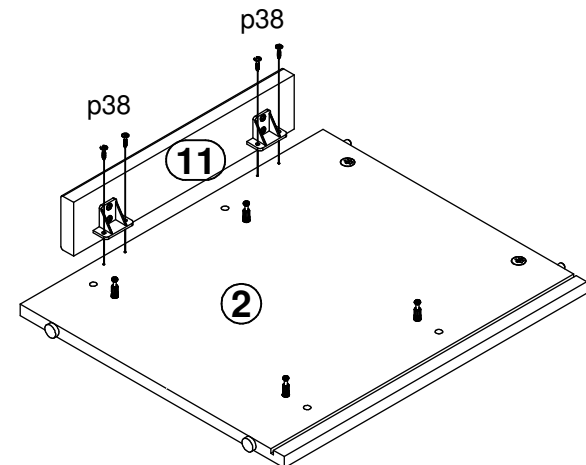
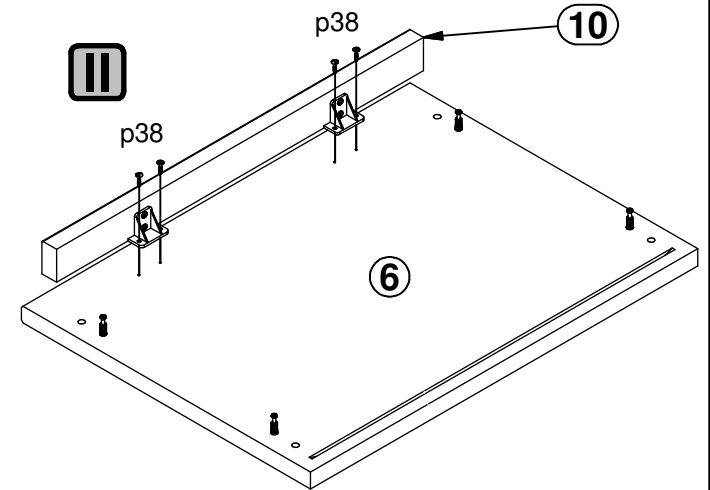
**II**



**II**

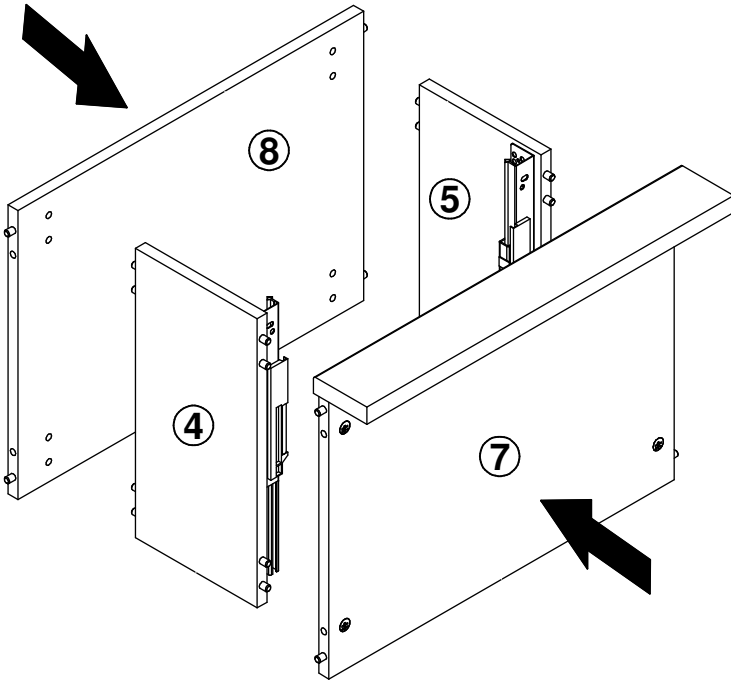


**II**

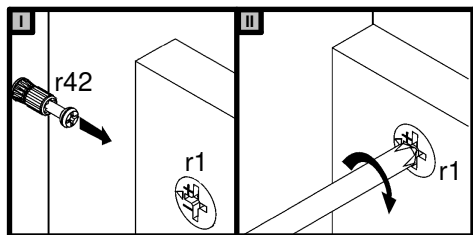
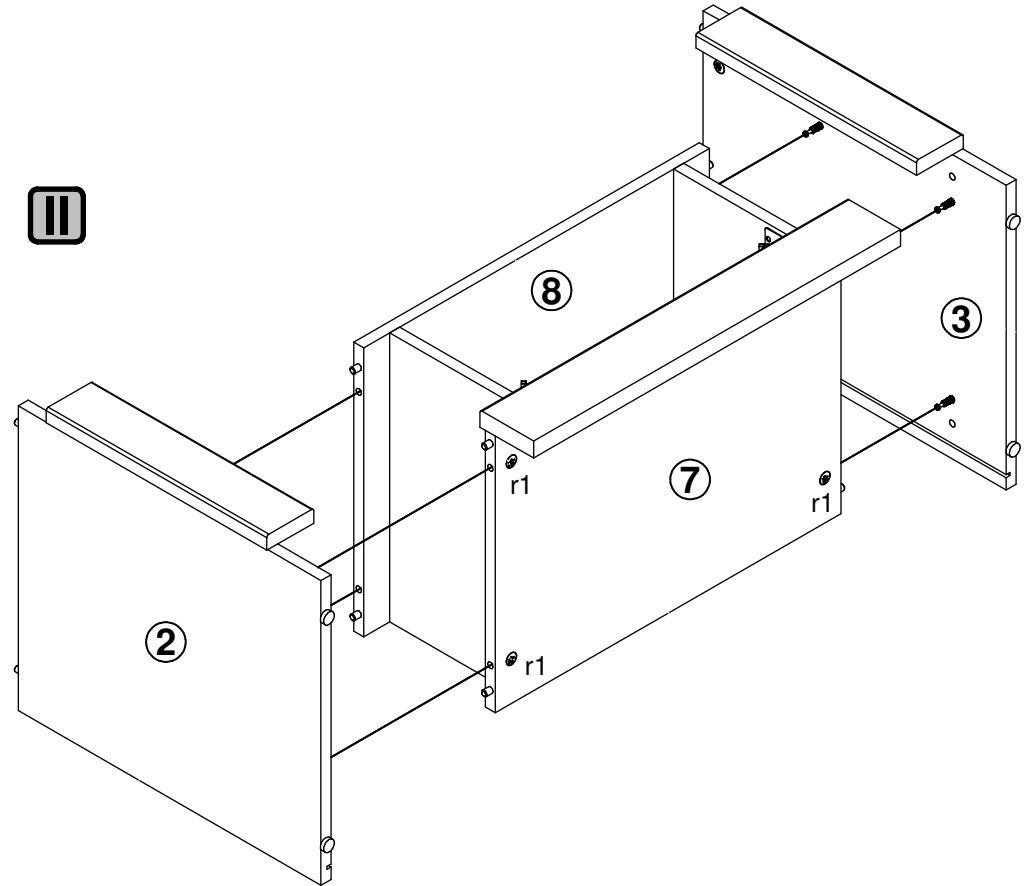


4 

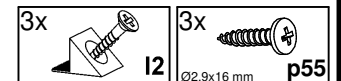
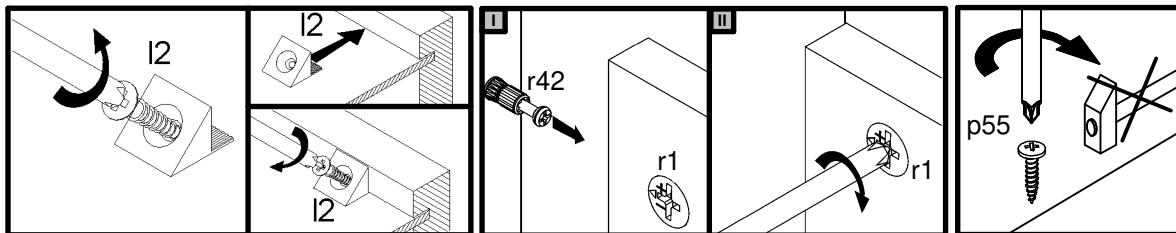
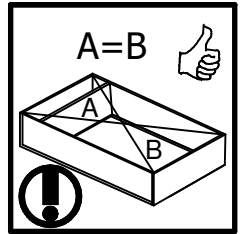
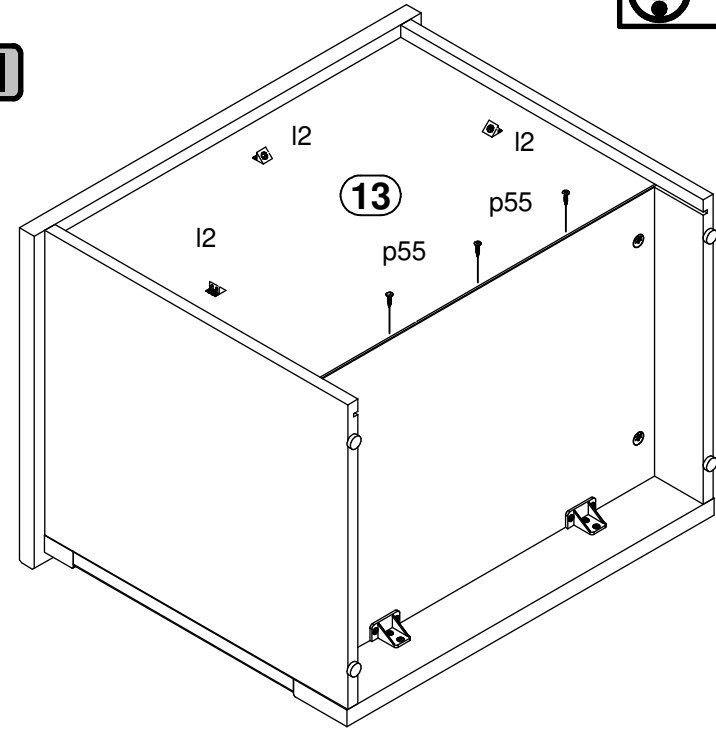
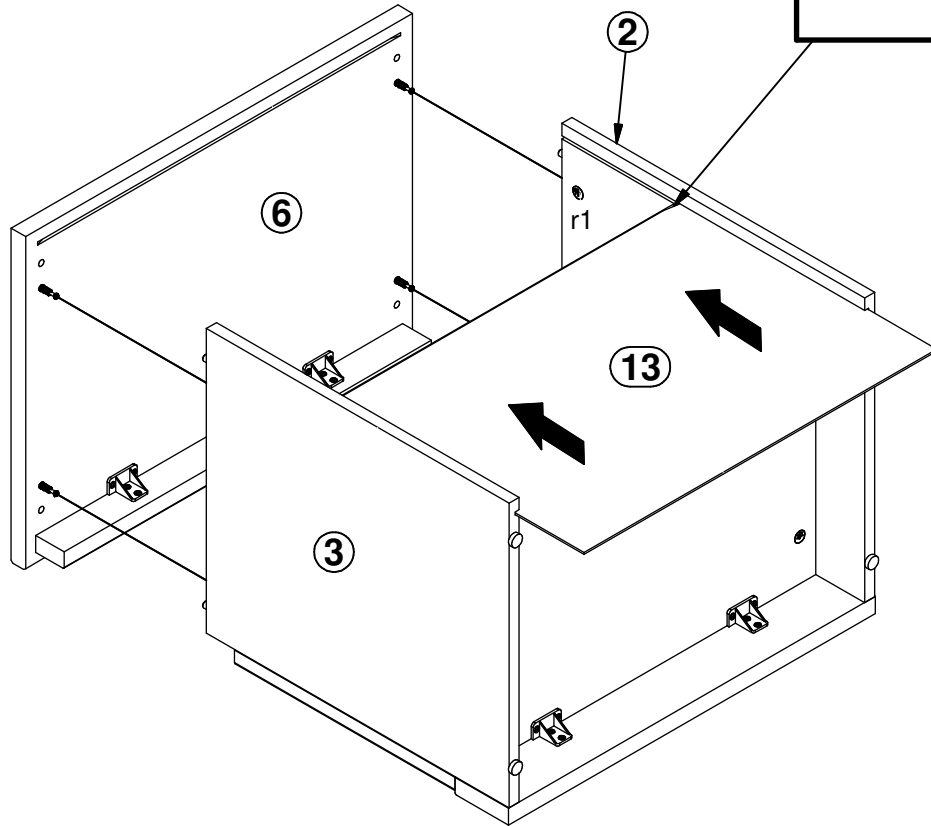
I



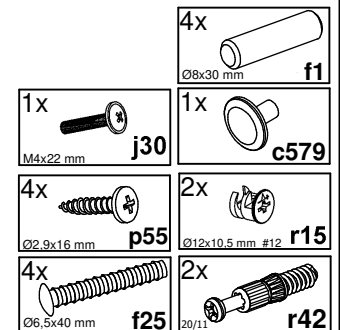
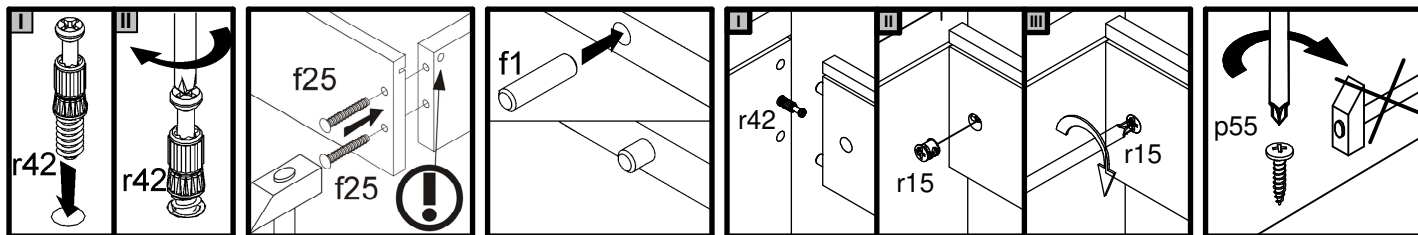
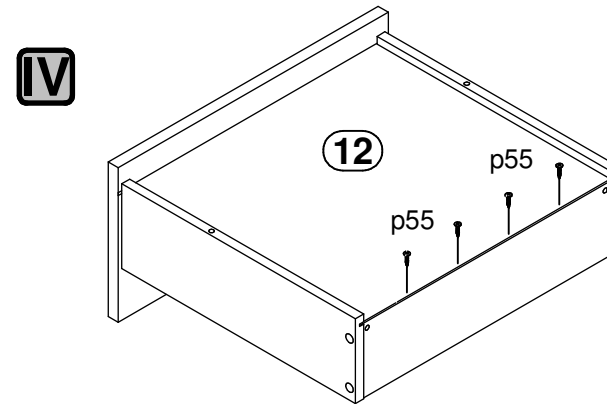
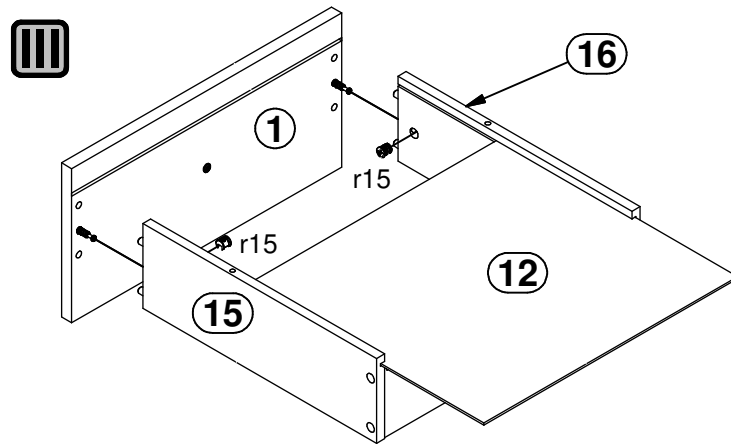
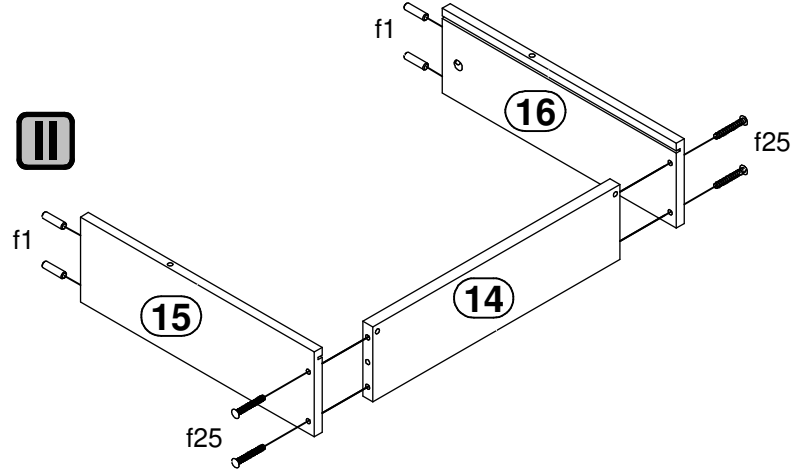
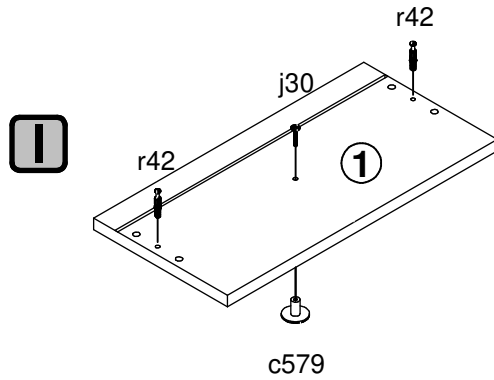
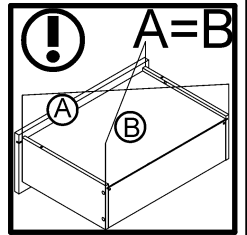
II



**5** 

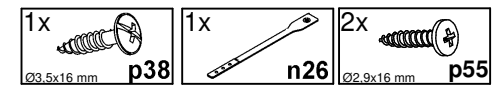
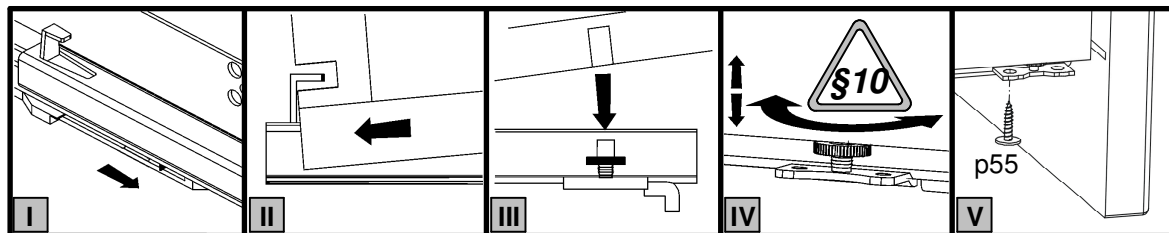
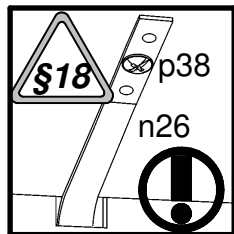
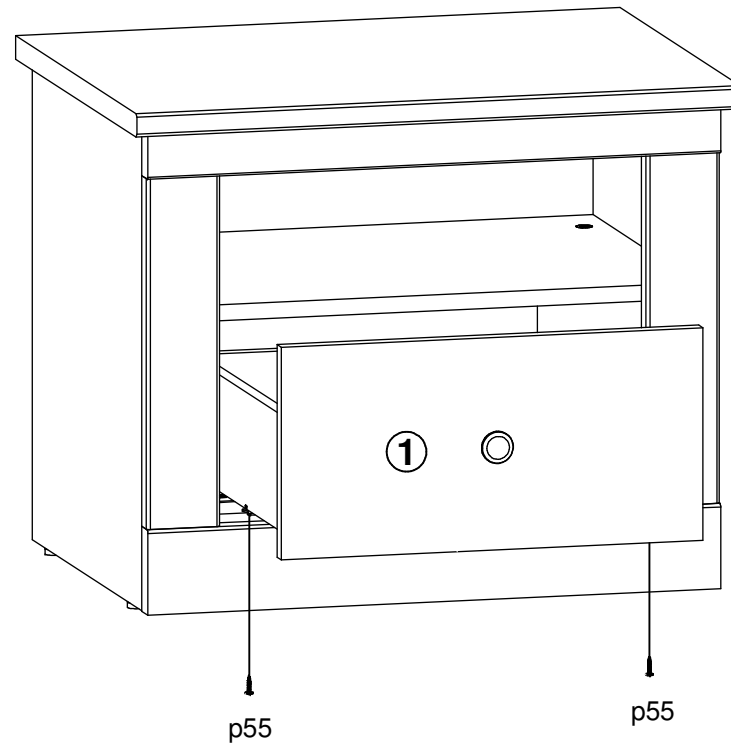


6  





7 



8

