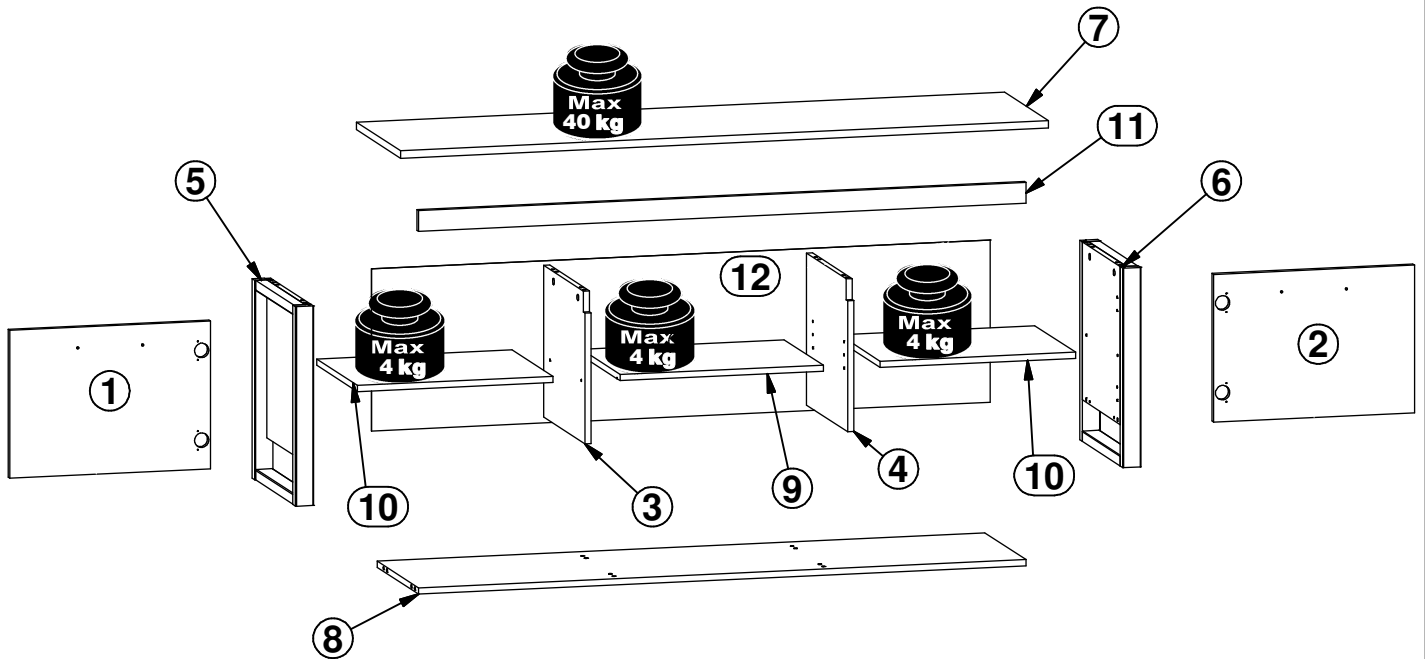
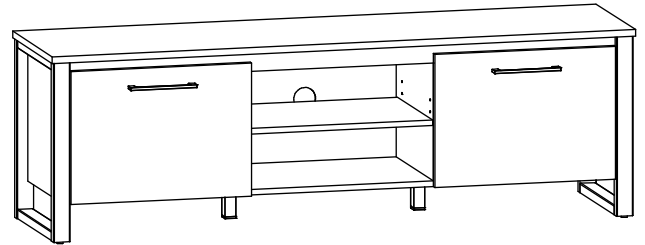
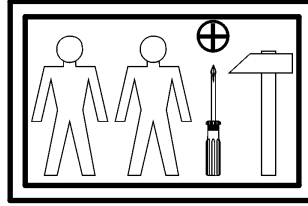
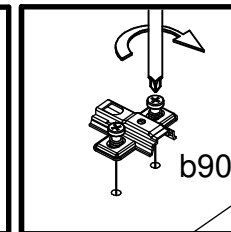
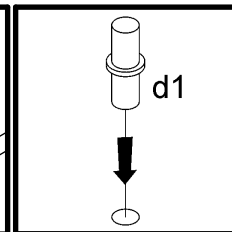
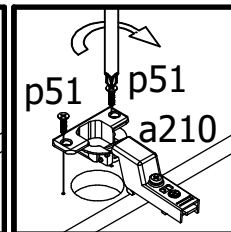
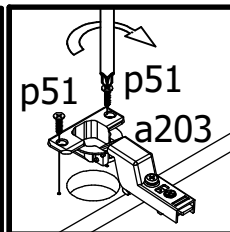
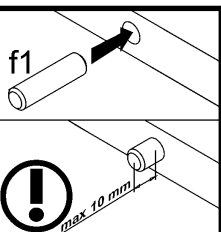
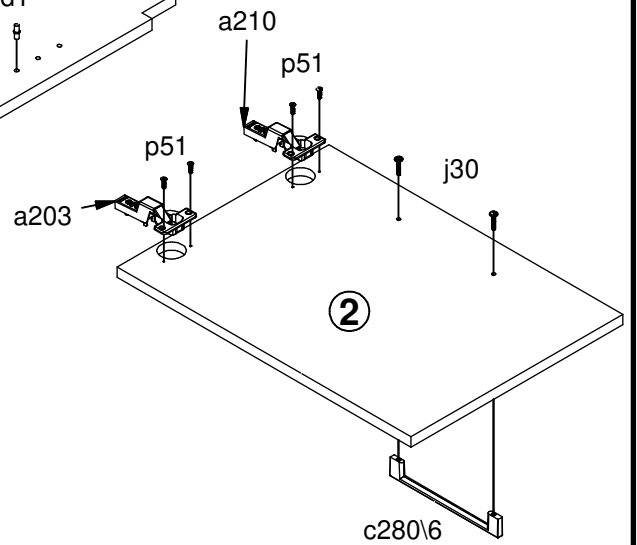
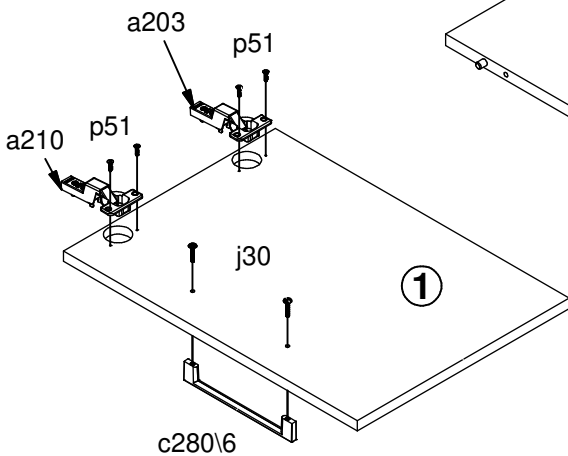
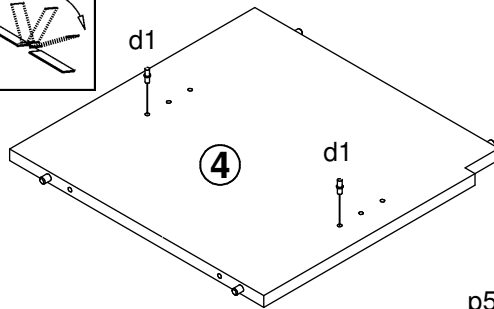
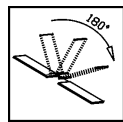
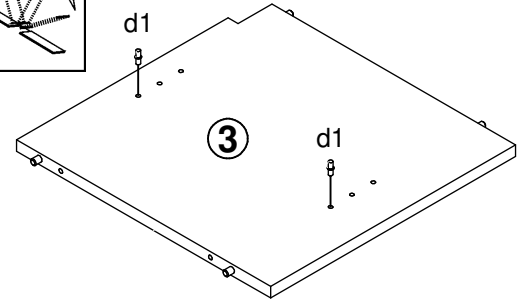
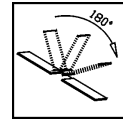
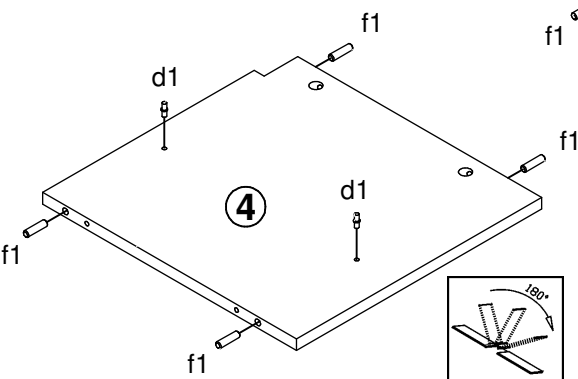
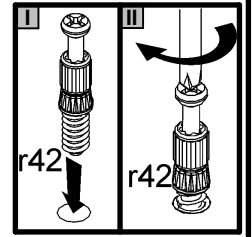
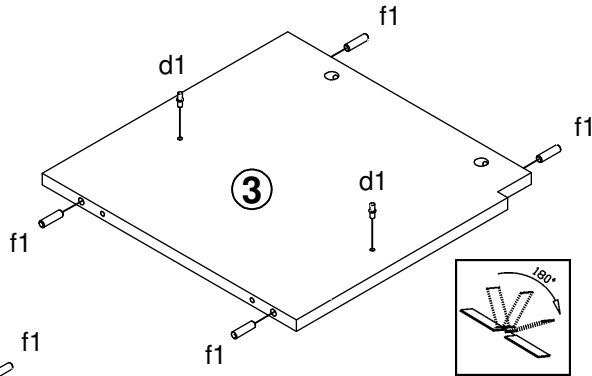
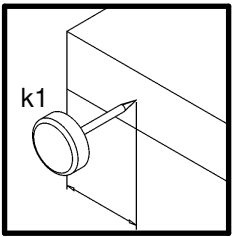
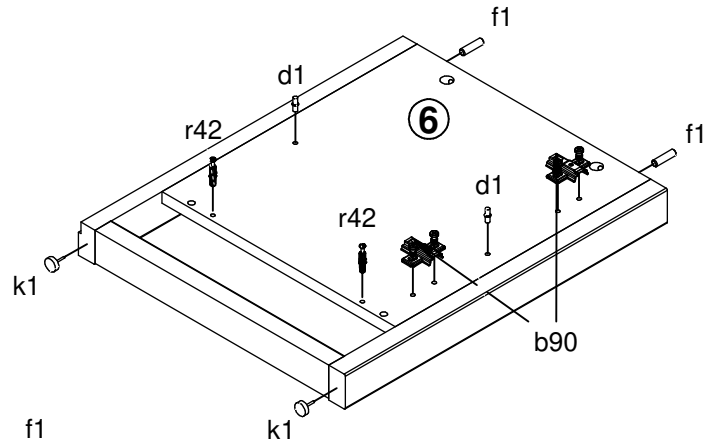
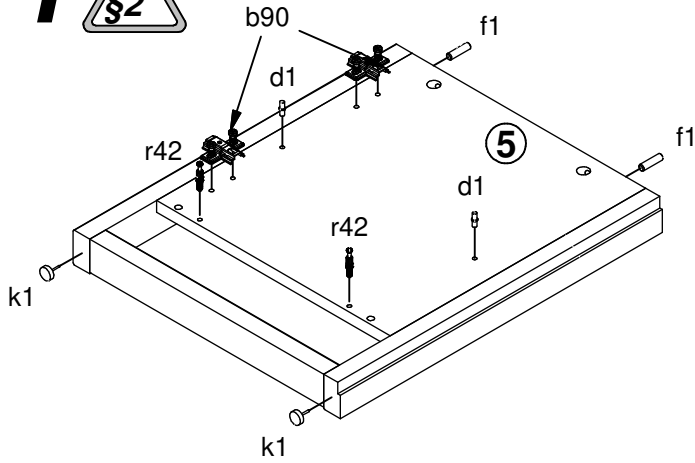


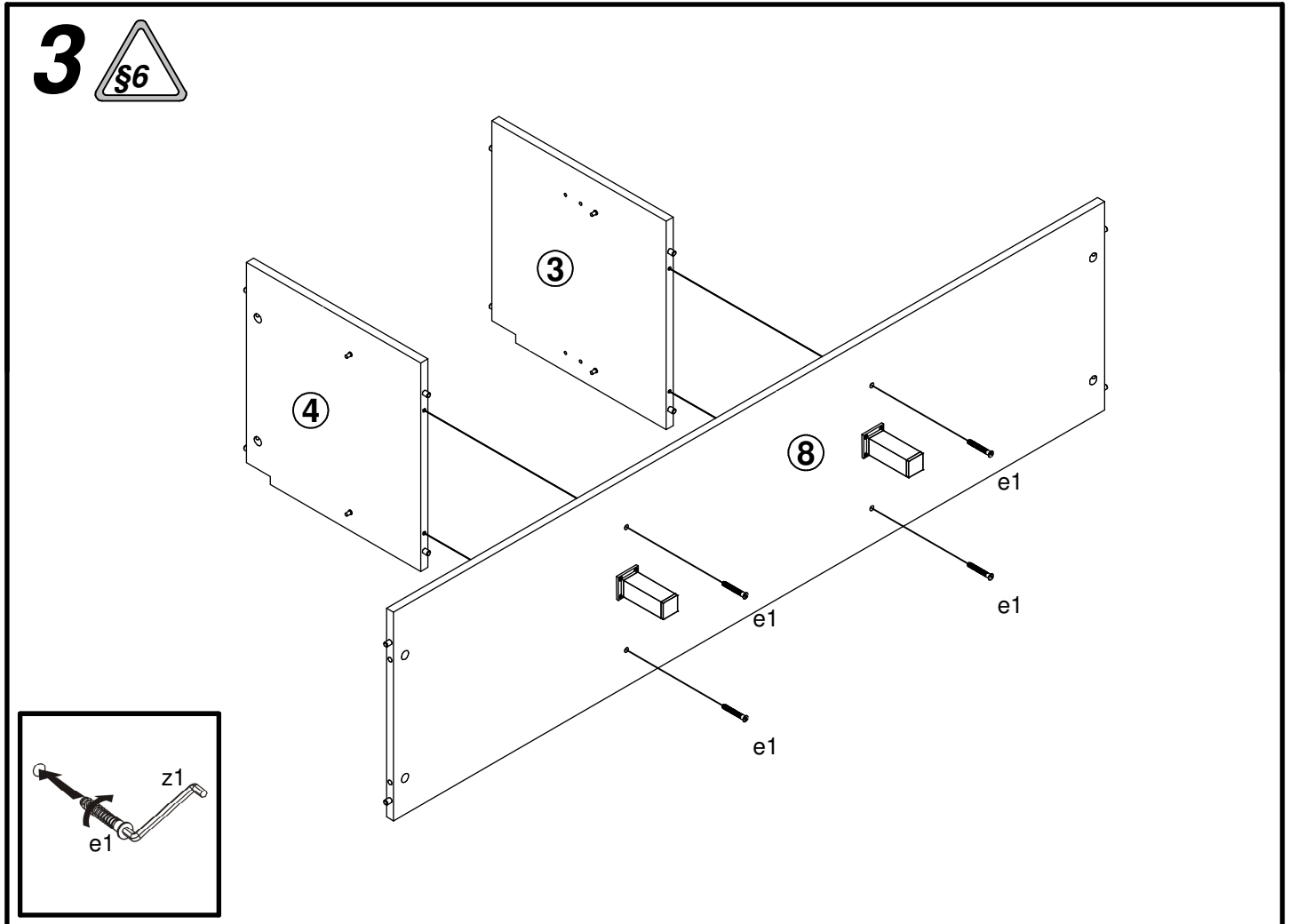
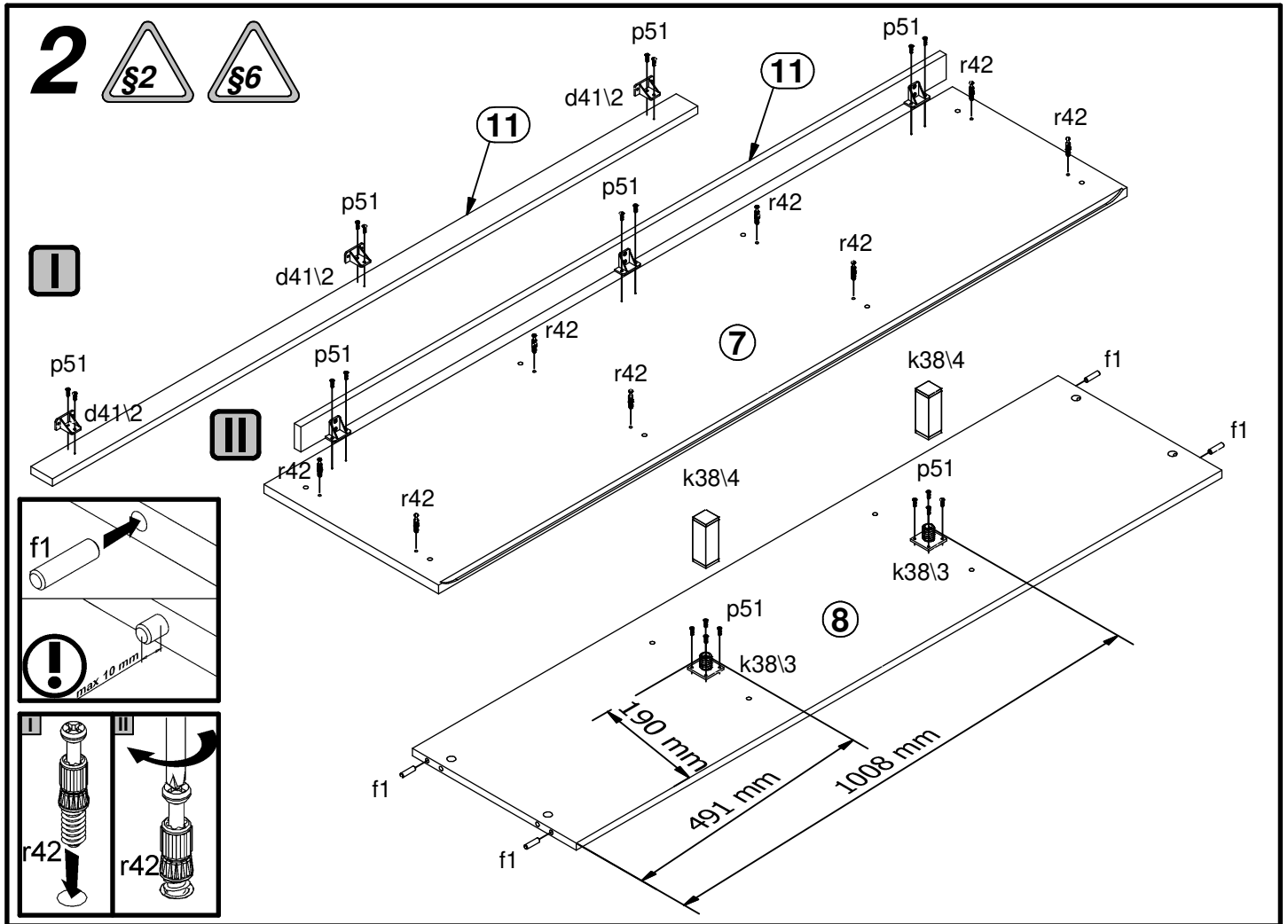
A	B	C	D	
1	S604-0052	495	357	2/2
2	S604-0053	495	357	2/2
3	S604-1052	367	380	1/2
4	S604-1053	367	380	1/2
5	S604-1054	482	400	1/2
6	S604-1055	482	400	1/2
7	S604-2051	1598	405	2/2
8	S604-3032	1498	380	2/2
9	S604-3033	501	360	2/2
10	S604-3034	482	375	1/2
11	S604-4052	1498	50	2/2
12	S604-9031	1526	392	2/2



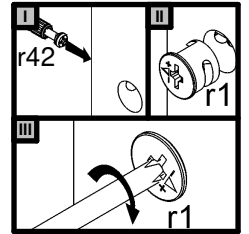
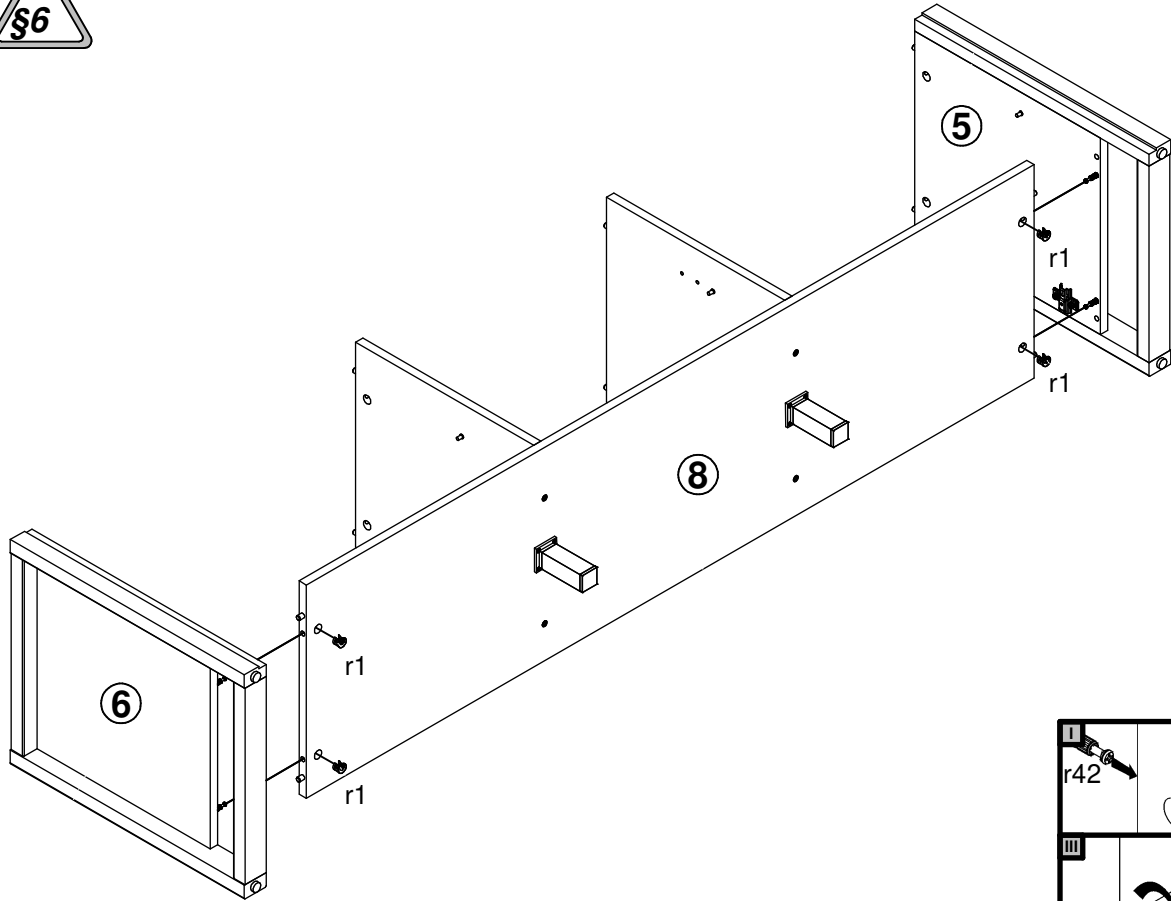
2x hamulec a203	2x a210	4x b90	2x c280\6	12x Ø5x17 mm d1	3x d41\2	4x Ø7x50 mm e1	16x Ø8x30 mm f1	4x M4x22 mm j30
4x k1	2x 42,5x42,5x4 mm k38\3	2x 30x30x89 mm k38\4	1x n26	1x Ø3,5x16 mm p38	28x Ø3,5x15 mm p51	26x Ø2,9x16 mm p55	12x Ø15x12 mm #16 r1	12x 20/11 r42
8x Ø 20mm s68	1x 4 mm z1							

# 1

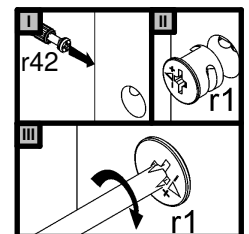
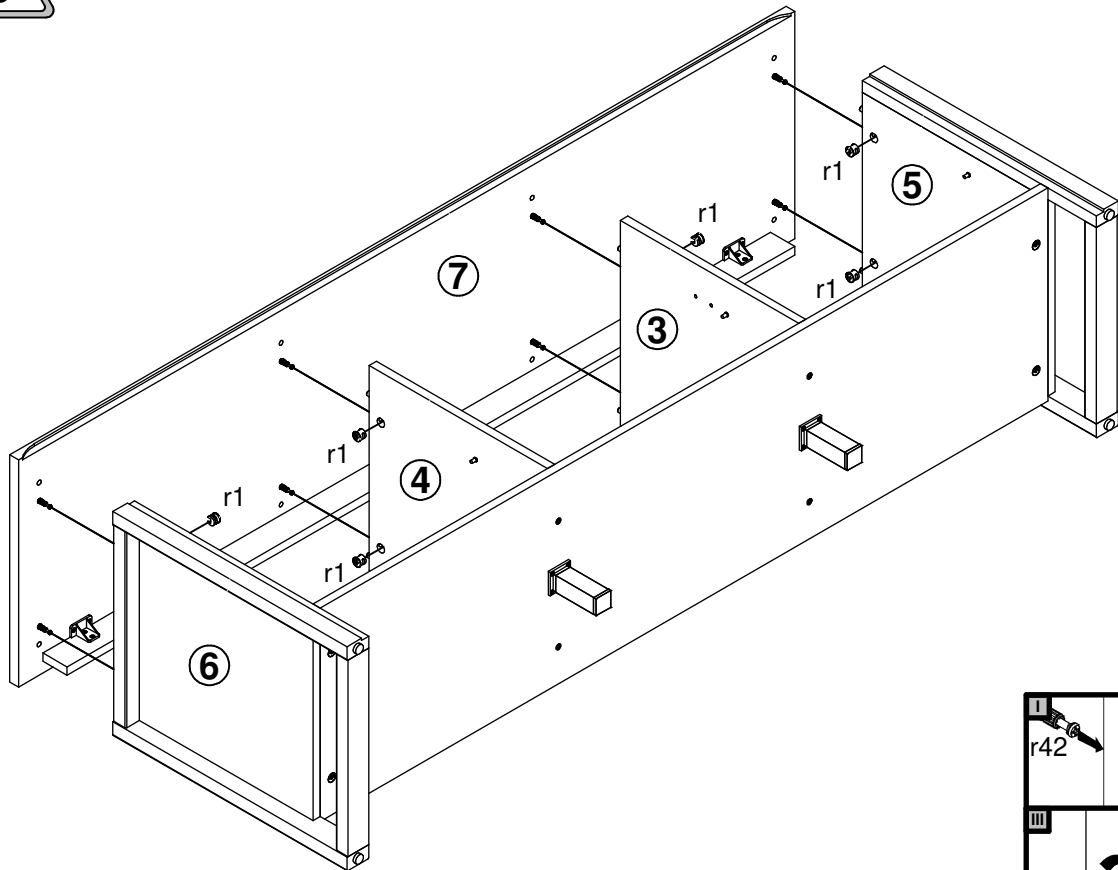




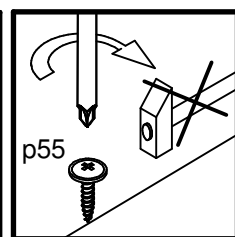
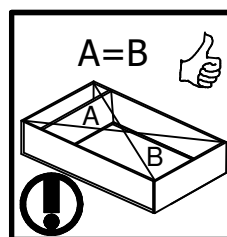
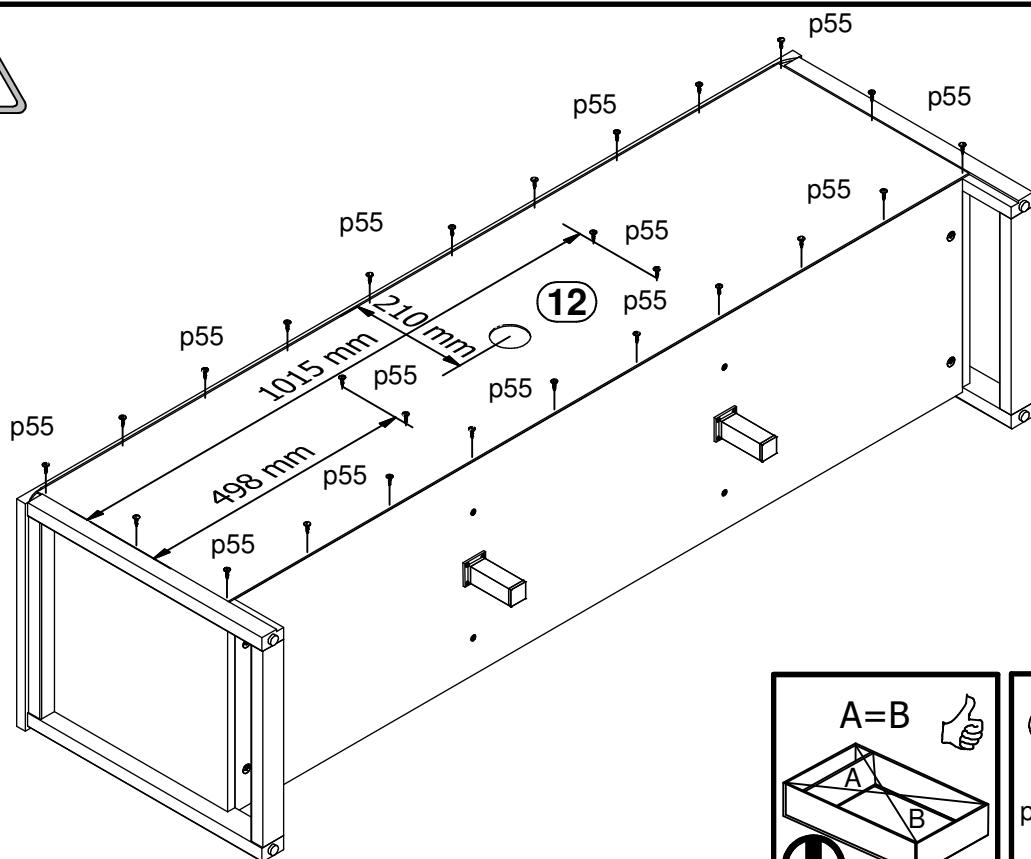
# 4



# 5



# 6



# 7

