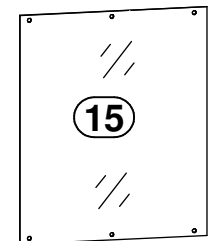
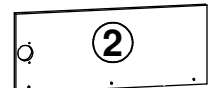
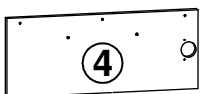
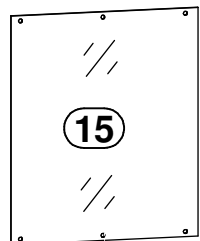
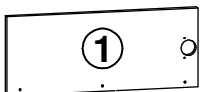
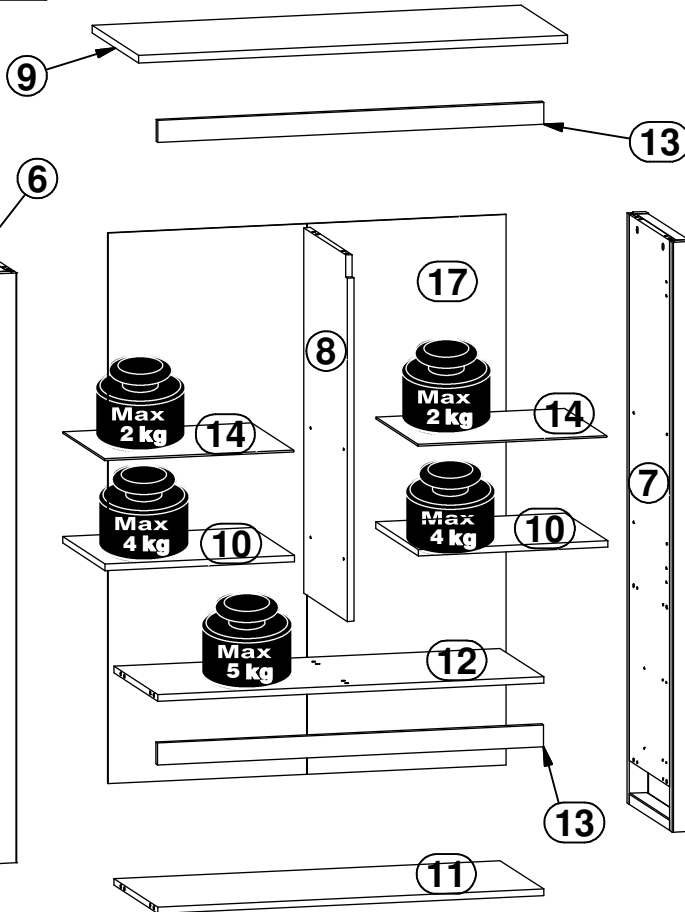
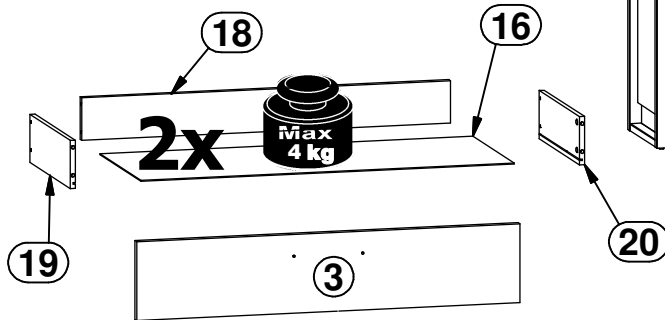
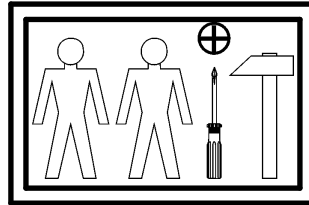
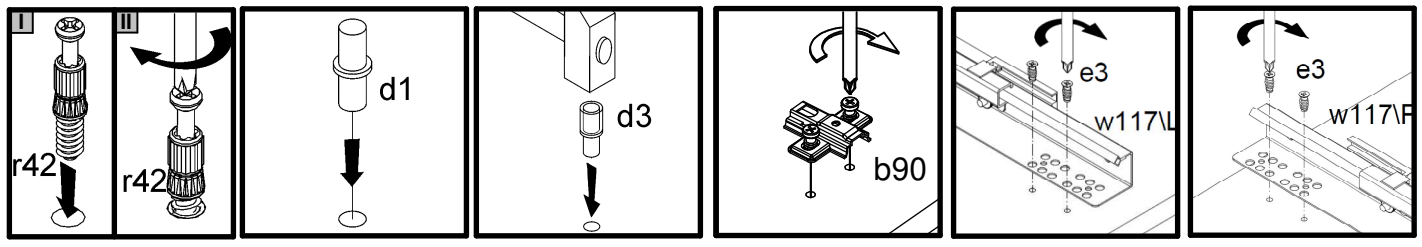
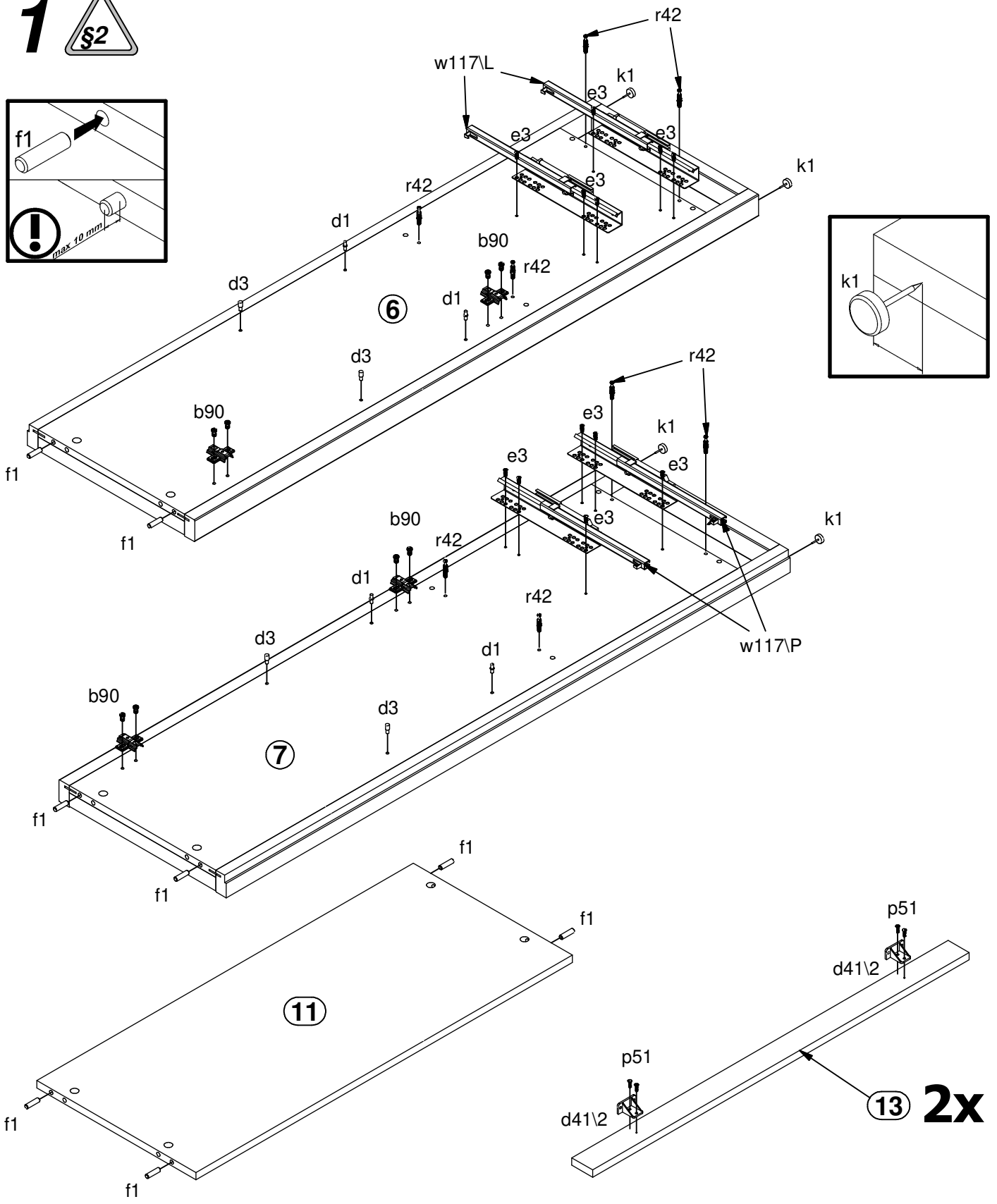
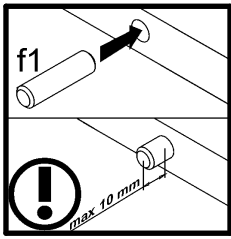


A	B	C	D	
1	S604-0008	445	180	2/2
2	S604-0010	445	180	2/2
3	S604-0011	893	180	2/2
4	S604-0012	445	180	2/2
5	S604-0013	445	180	2/2
6	S604-1012	1347	400	1/2
7	S604-1013	1347	400	1/2
8	S604-1014	834	380	2/2
9	S604-2004	999	405	2/2
10	S604-3012	441	370	1/2
11	S604-3013	899	380	1/2
12	S604-3014	899	380	1/2
13	S604-4002	899	50	2/2
14	S604-5003	440	365	2/2
15	S604-5005	522	435	2/2
16	S604-9005	869	357	2/2
17	S604-9302	1257	927	2/2
18	ZQ6-5343	859	97	1/2
19	ZQ6-519	350	110	2/2
20	ZQ6-520	350	110	2/2

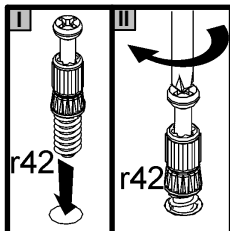
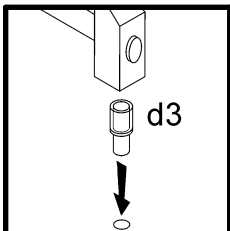
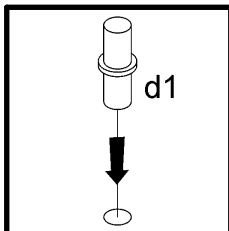
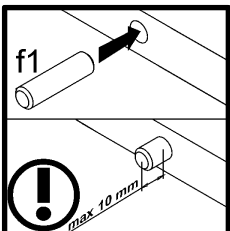
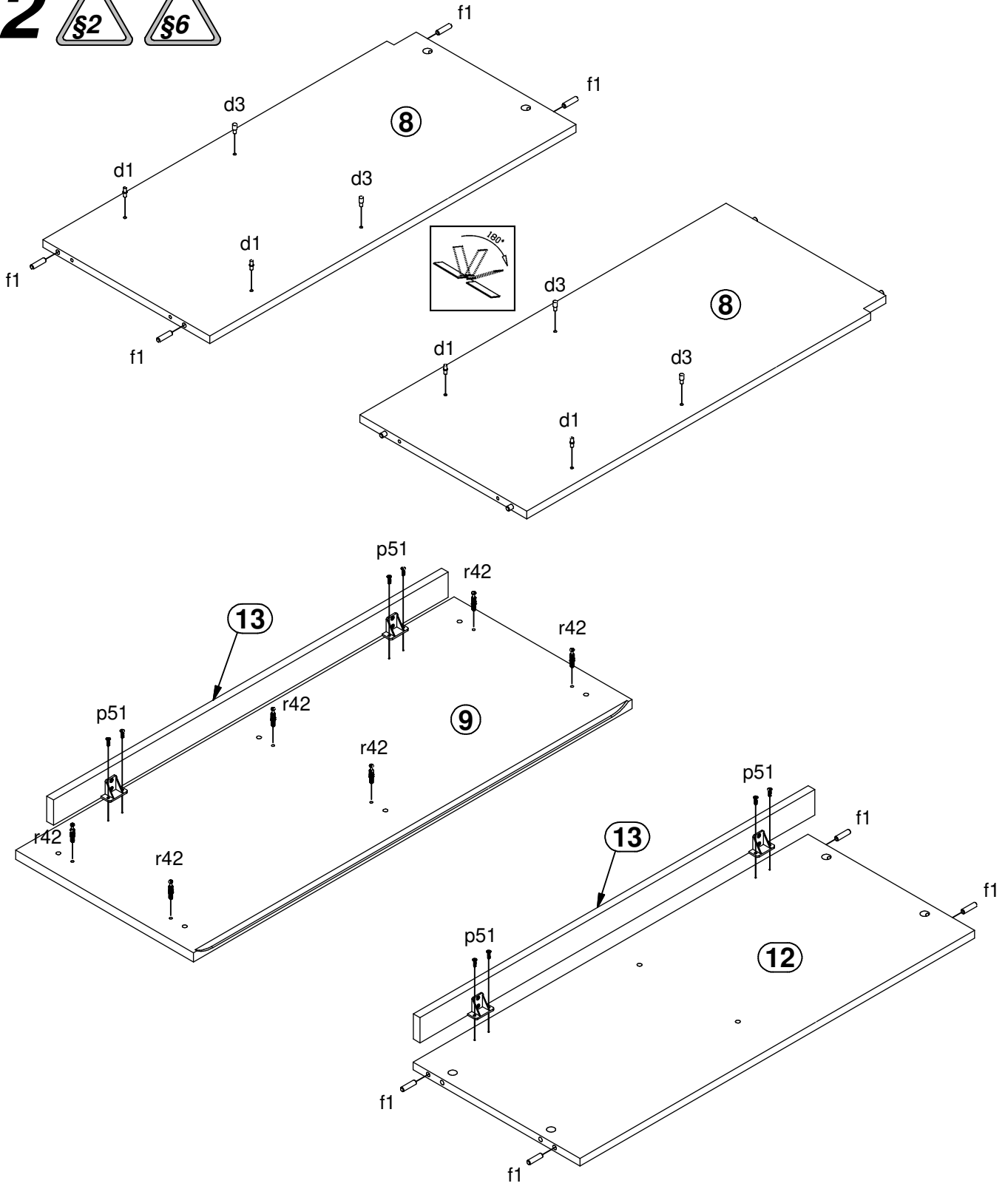


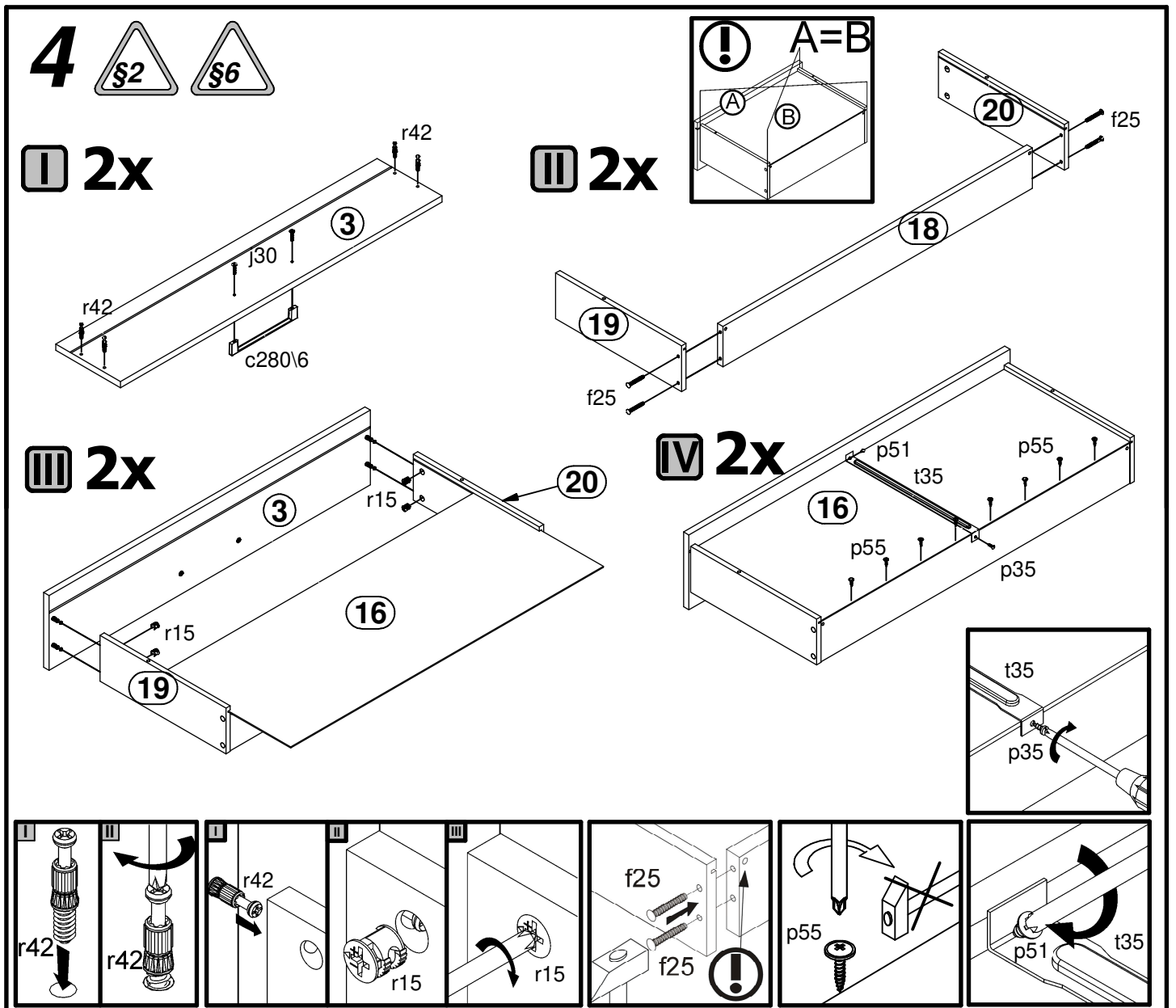
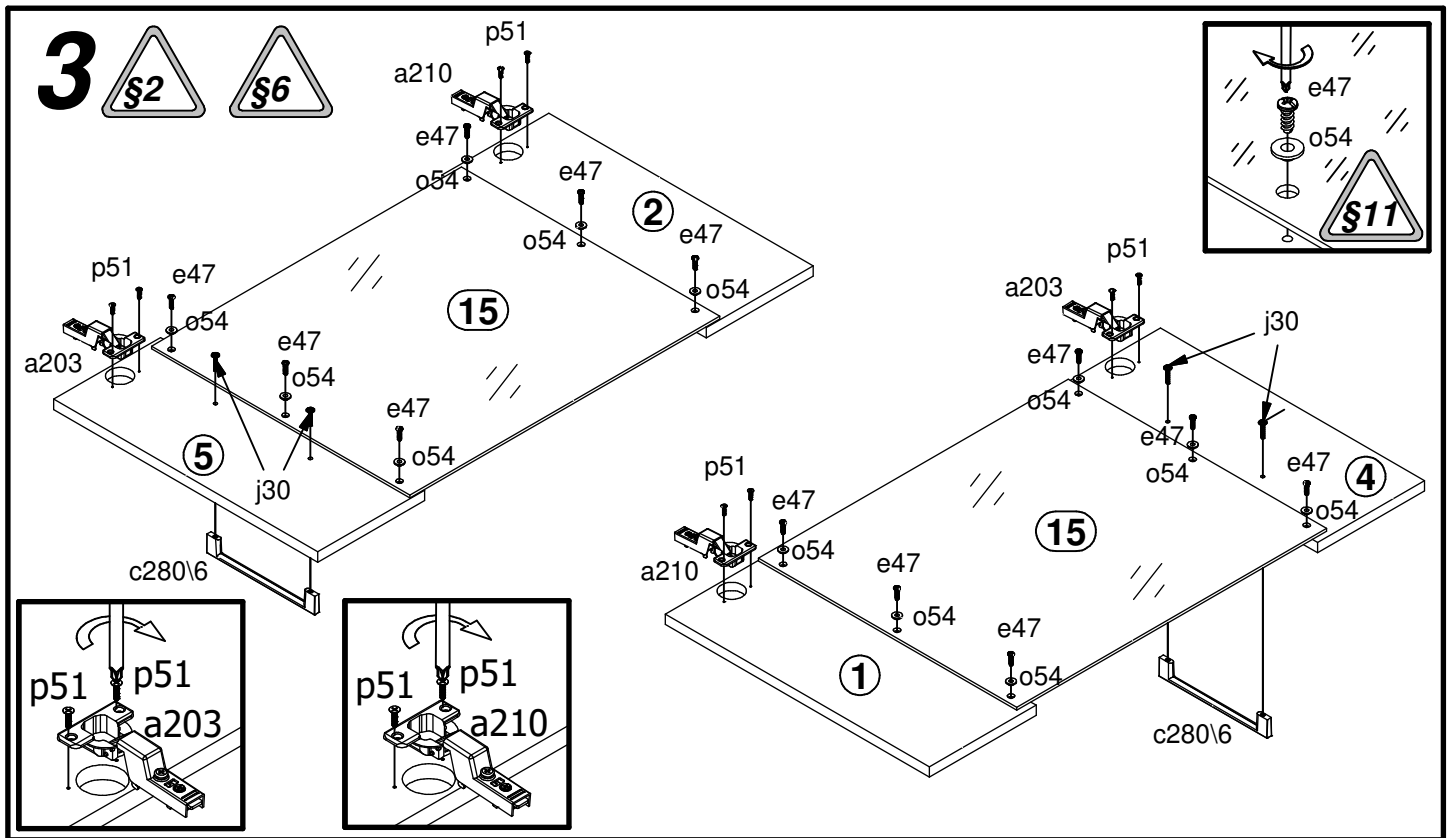
2x hamulec a203	2x a210	4x b90	4x c280\6	8x d1 Ø5x17 mm	8x d3 Ø5x17 mm	4x d41\2	2x e1 Ø7x50 mm	12x e3 Ø6x13 mm
12x e47 Ø5x16 mm	16x f1 Ø8x30 mm	8x f25 Ø6.5x40 mm	8x j30 M4x22 mm	4x k1	1x n26	12x o54 Ø5.3\Ø6.3x4.8 mm	1x p38 Ø3.5x16 mm	26x p51 Ø3.5x15 mm
42x p55 Ø2.9x16 mm	2x p35 Ø3.5x10 mm	14x r1 Ø15x12 mm #16	8x r15 Ø12x10.5 mm #12	22x r42 20\11	6x s68 Ø 20mm	2x t35 350 mm	2x w117\L 350 mm	2x w117\P 350 mm
1x z1 4 mm								

1

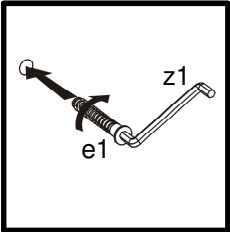
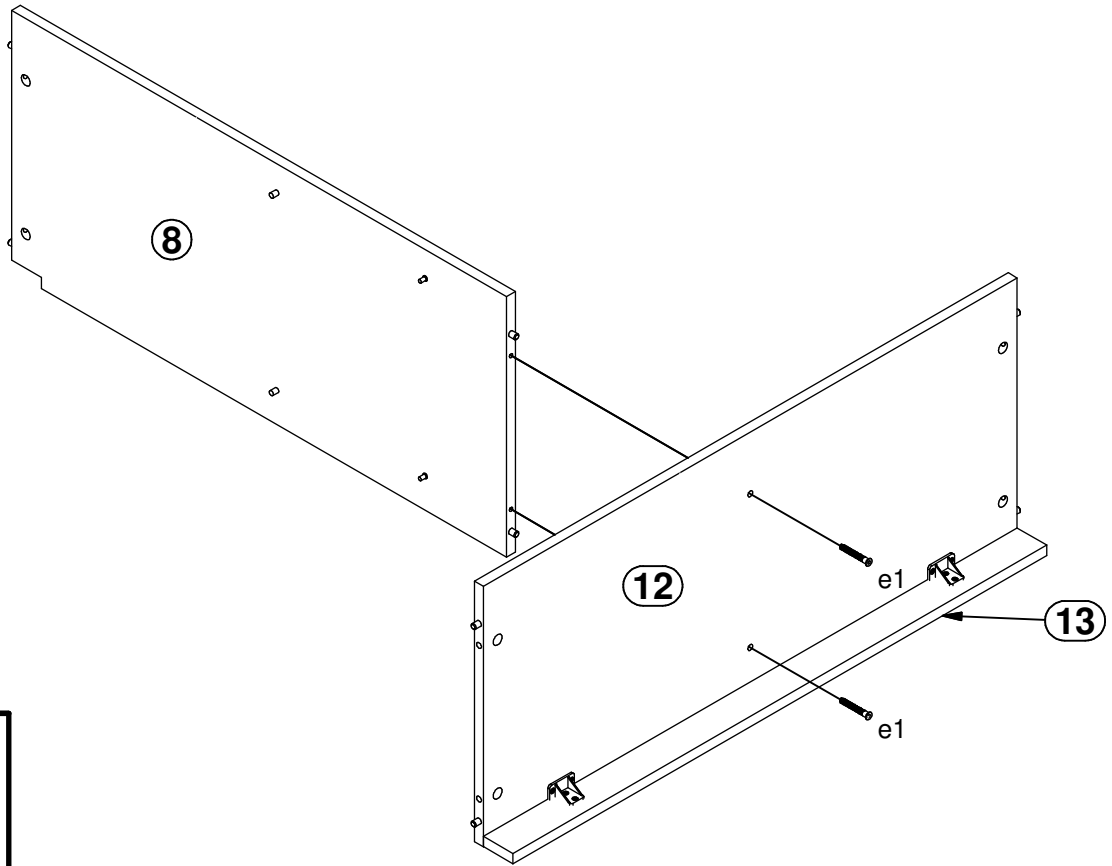


2

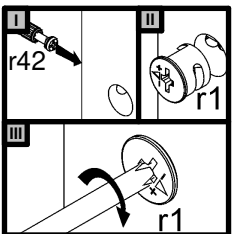
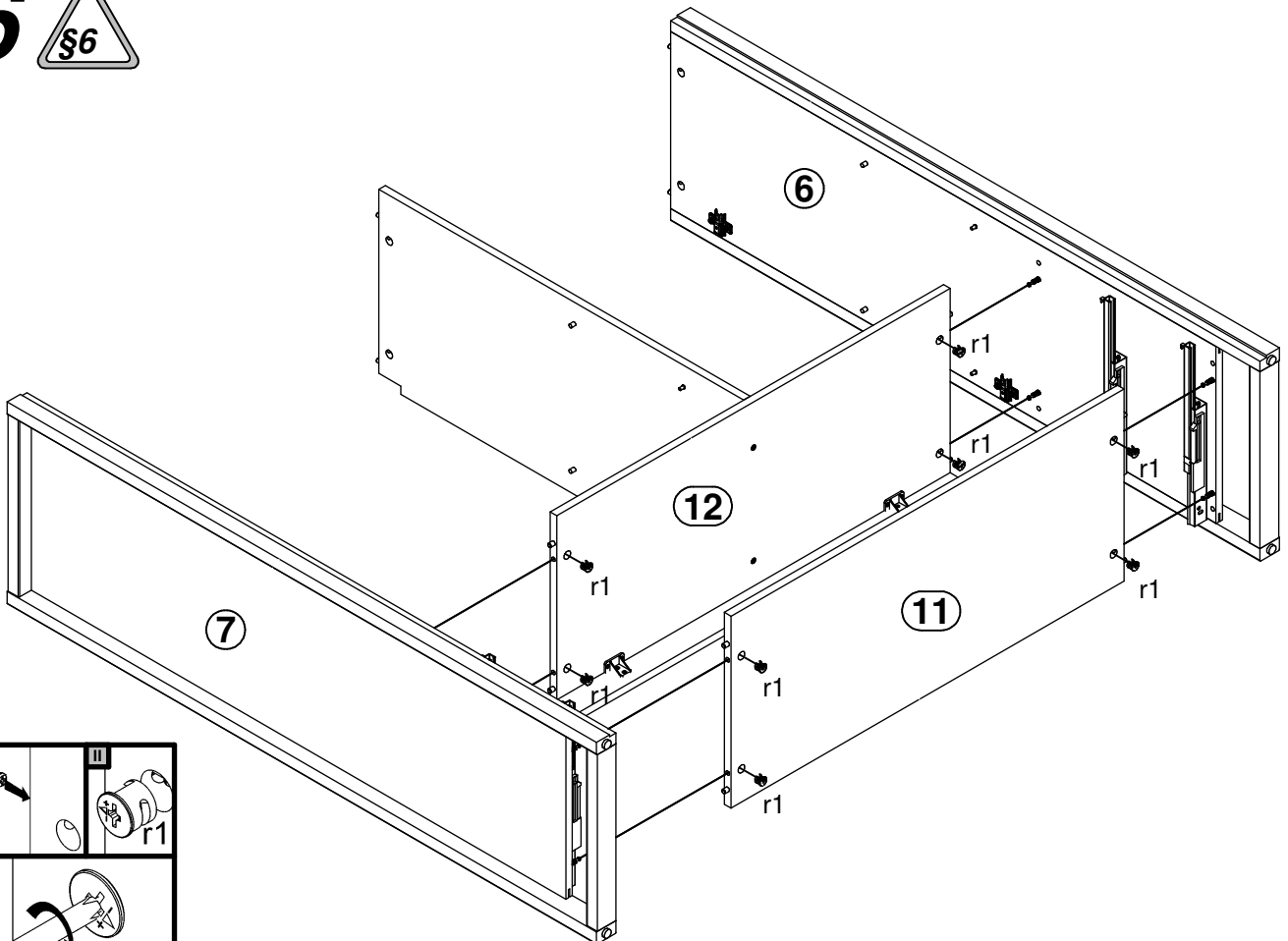




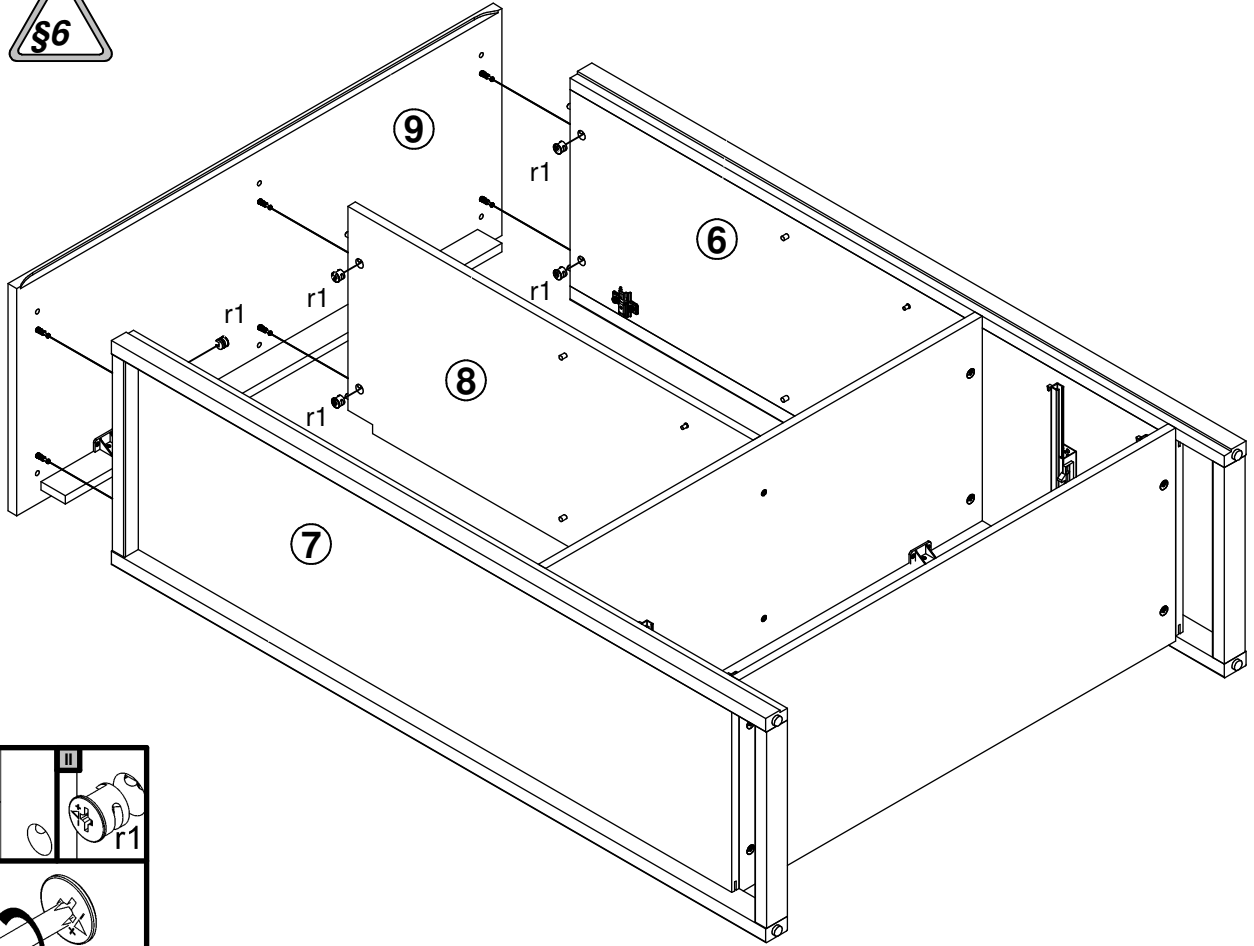
5



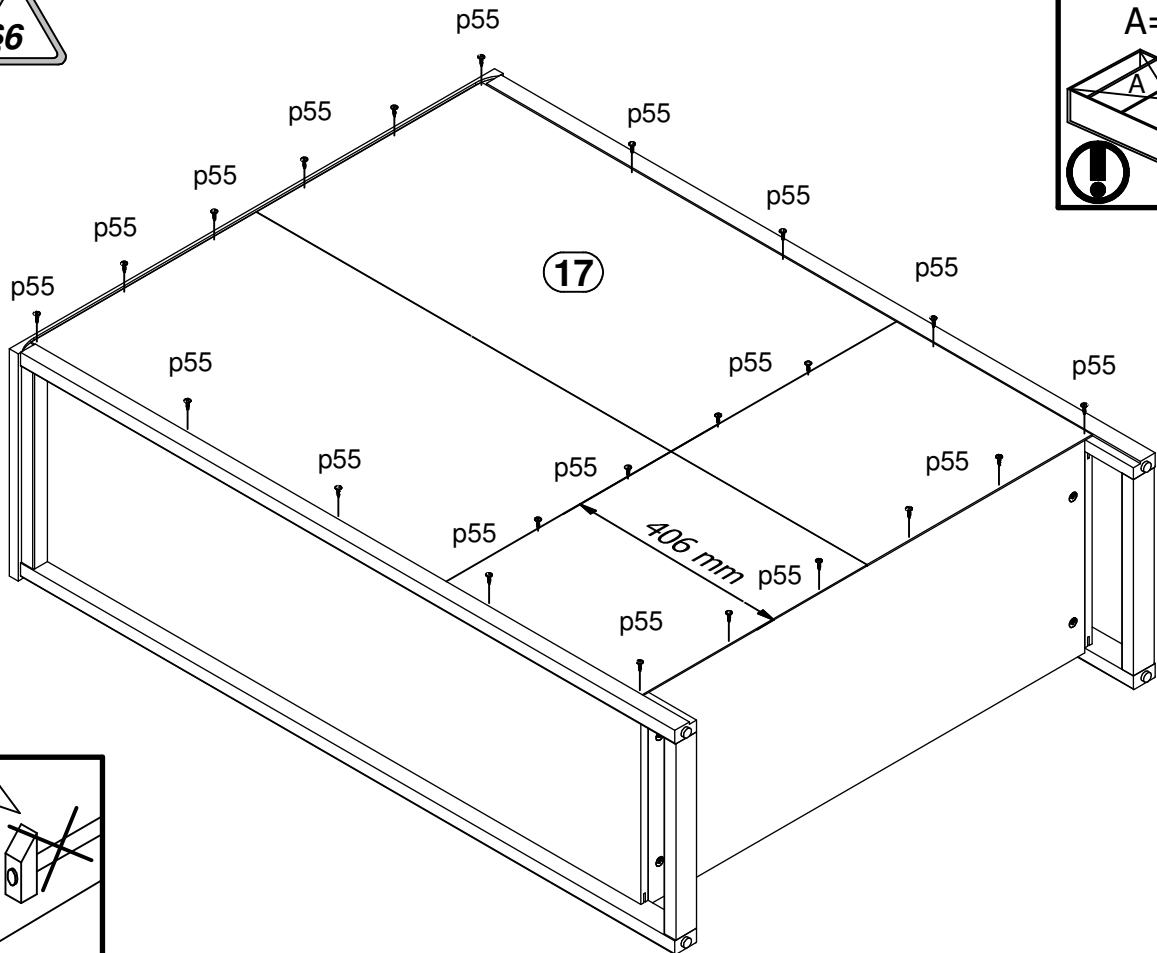
6



7



8



9

