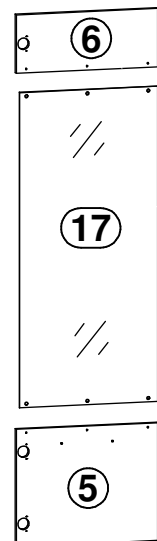
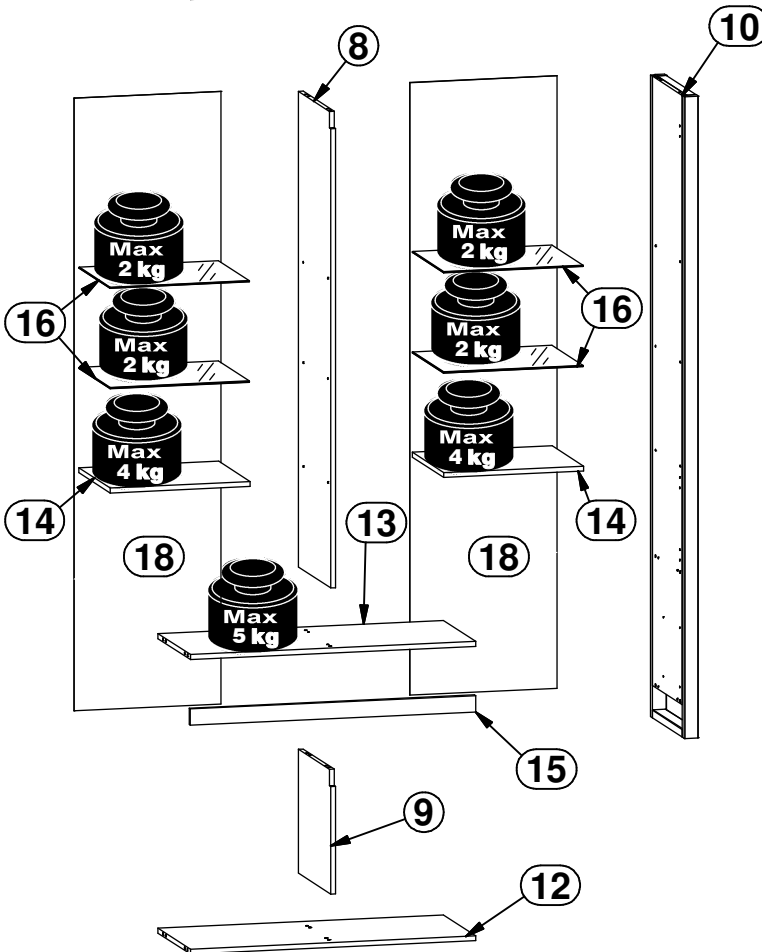
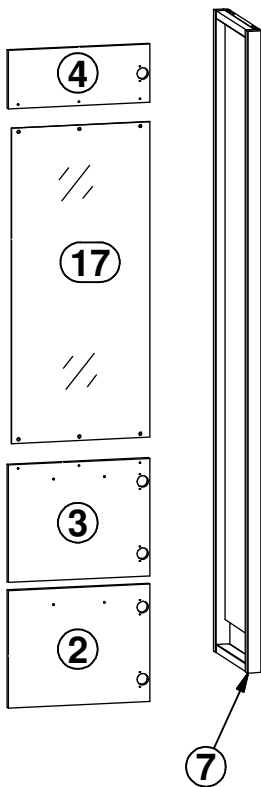
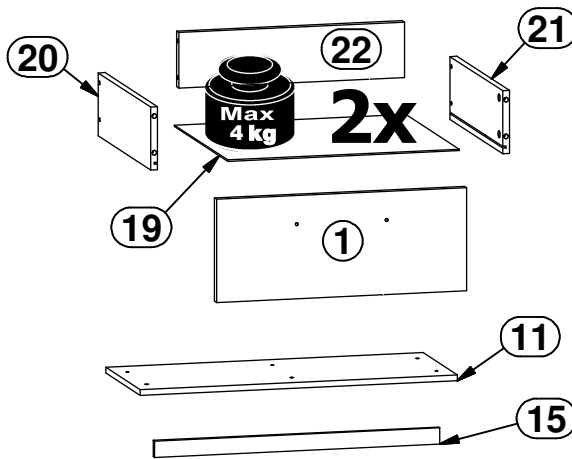
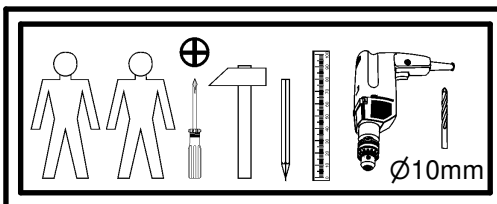


A

DODSON

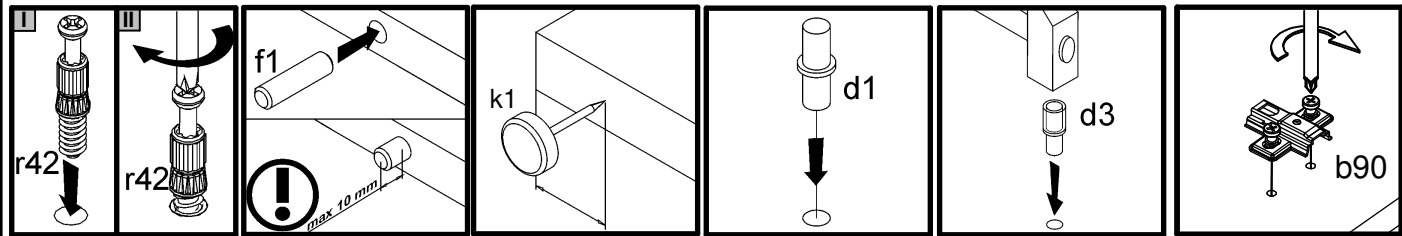
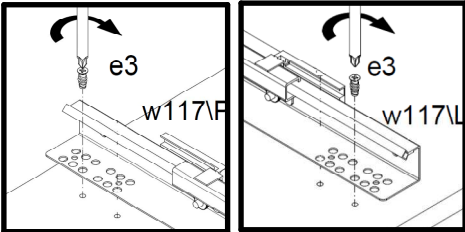
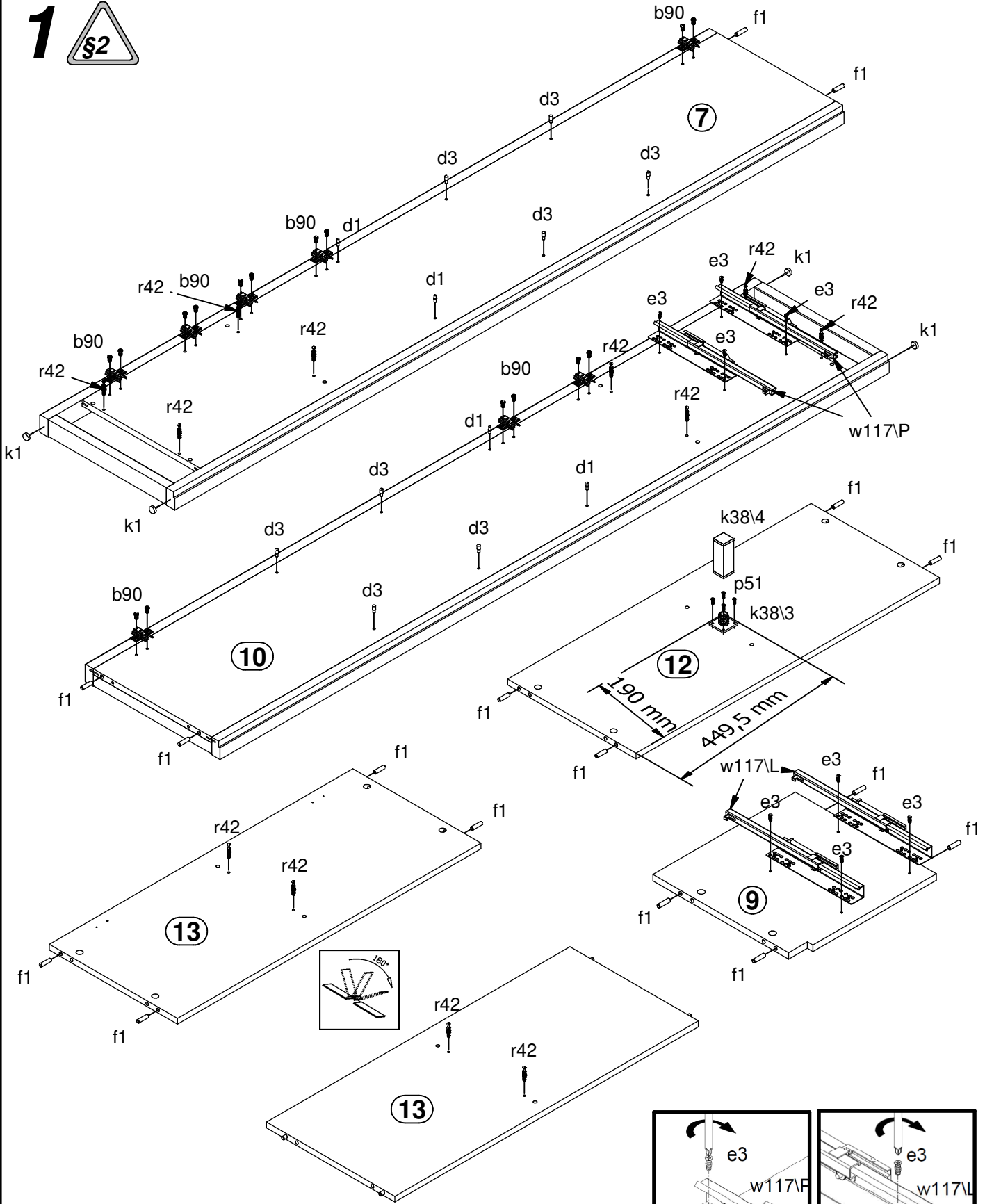
S604-REG2W1D2S

| A | B | C | D | |
|----|-----------|------|-----|-----|
| 1 | S604-0001 | 445 | 180 | 3/3 |
| 2 | S604-0003 | 445 | 363 | 3/3 |
| 3 | S604-0007 | 445 | 363 | 3/3 |
| 4 | S604-0008 | 445 | 180 | 3/3 |
| 5 | S604-0009 | 445 | 363 | 3/3 |
| 6 | S604-0010 | 445 | 180 | 3/3 |
| 7 | S604-1007 | 1982 | 400 | 1/3 |
| 8 | S604-1009 | 1469 | 380 | 1/3 |
| 9 | S604-1010 | 383 | 380 | 1/3 |
| 10 | S604-1011 | 1982 | 400 | 1/3 |
| 11 | S604-2003 | 999 | 405 | 2/3 |
| 12 | S604-3010 | 899 | 380 | 2/3 |
| 13 | S604-3011 | 899 | 380 | 2/3 |
| 14 | S604-3012 | 441 | 370 | 2/3 |
| 15 | S604-4002 | 899 | 50 | 2/3 |
| 16 | S604-5003 | 440 | 365 | 2/3 |
| 17 | S604-5004 | 974 | 435 | 2/3 |
| 18 | S604-9002 | 1892 | 463 | 2/3 |
| 19 | S604-9003 | 412 | 357 | 2/3 |
| 20 | ZQ6-519 | 350 | 110 | 2/3 |
| 21 | ZQ6-520 | 350 | 110 | 2/3 |
| 22 | ZQ6-5341 | 402 | 97 | 2/3 |

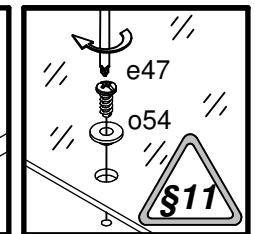
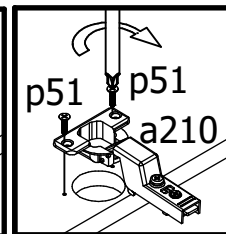
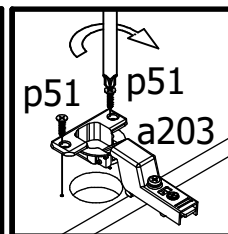
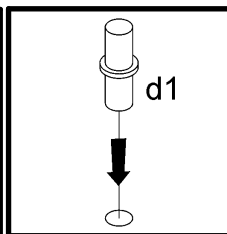
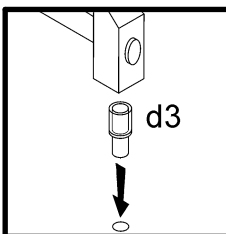
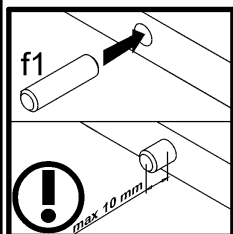
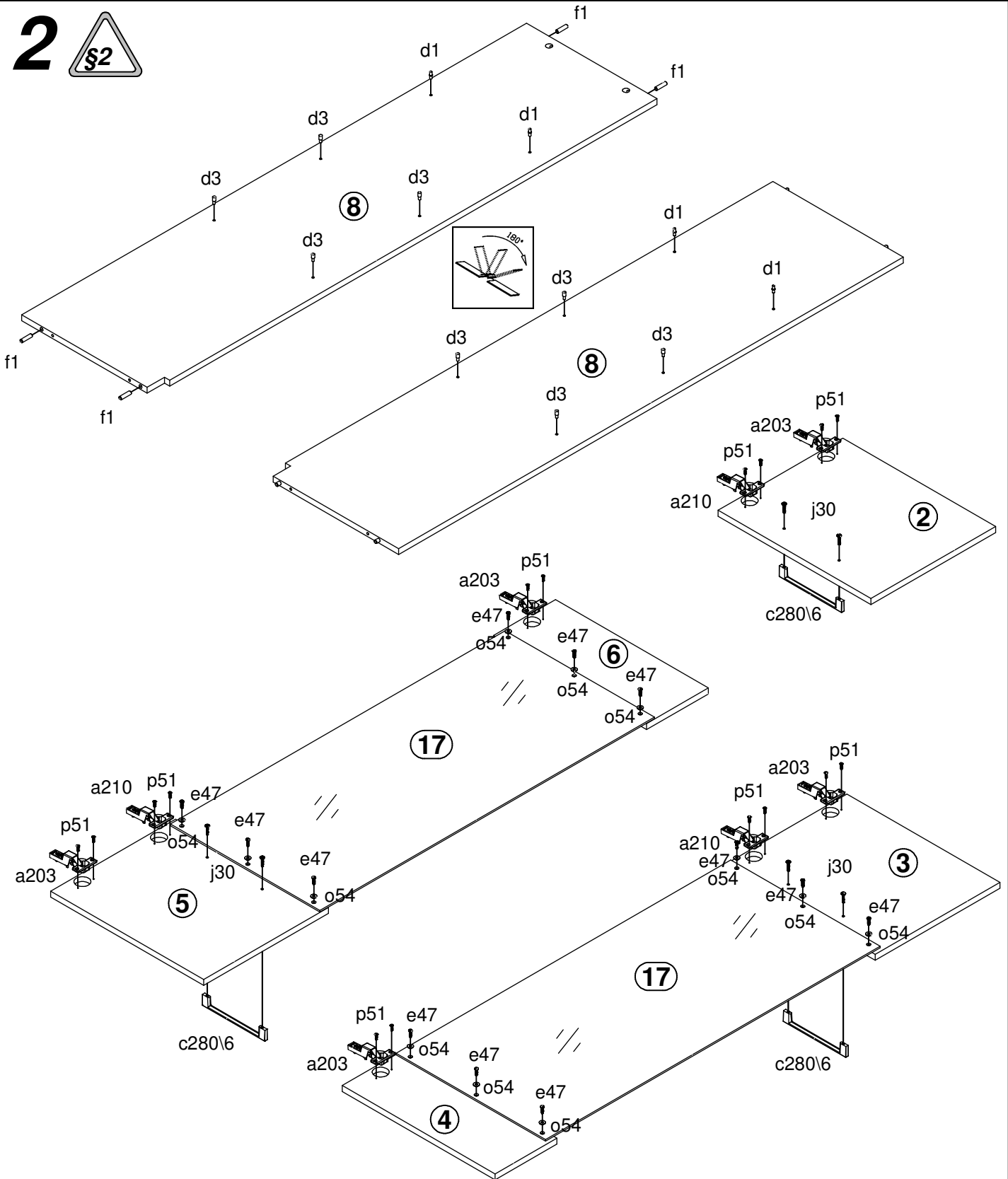


| | | | | | | | | |
|-----------------------------|--------------------------------|-------------------------|--------------------------|--------------------------|----------------------------|-------------------------------|----------------------------|-------------------------------|
| 5x hamulec a203 | 3x a210 | 8x b90 | 5x c280/6 | 8x Ø5x17 mm d1 | 16x Ø5x17 mm d3 | 4x d41/2 | 8x Ø7x50 mm e1 | 8x Ø6x13 mm e3 |
| 12x Ø5x16 mm e47 | 20x Ø8x30 mm f1 | 8x Ø6,5x40 mm f25 | 2x Ø10x50 mm f35 | 10x M4x22 mm j30 | 4x k1 | 1x 42,5x42,5x4 mm k38/3 | 1x 35x37x89 mm k38/4 | 10x 22x9,5x20,7 mm n108 |
| 2x 86x21x15/1,5 n14/2 | 12x Ø5,3/Ø8,3x4,8 mm o54 | 2x Ø5x60 mm p17 | 40x Ø3,5x15 mm p51 | 56x Ø2,9x16 mm p55 | 12x Ø15x12 mm #16 r1 | 8x Ø12x10,5 mm #12 r15 | 20x 20/11 r42 | 2x Ø 20mm s68 |
| 2x 350 mm w117/L | 2x 350 mm w117/P | 1x 4 mm z1 | | | | | | |

1



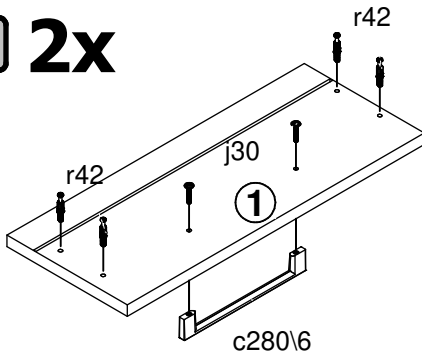
2



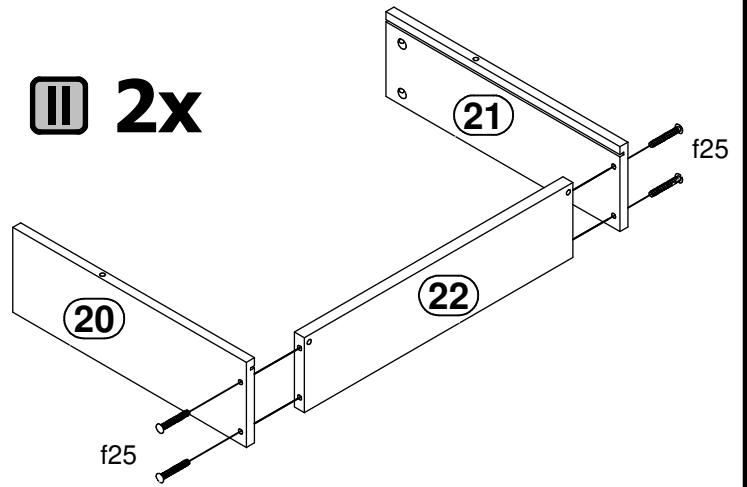
3



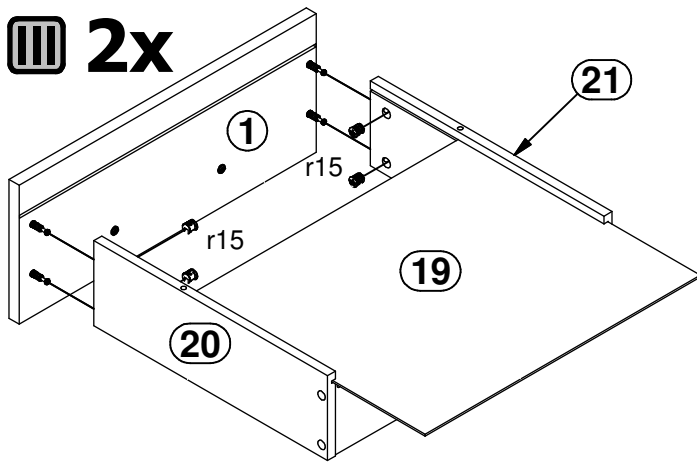
I 2x



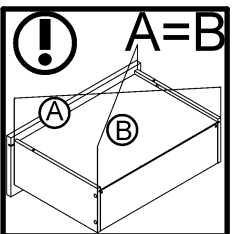
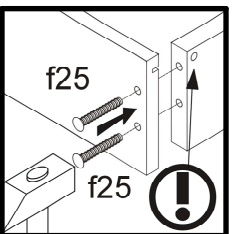
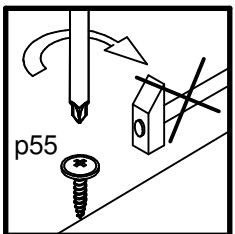
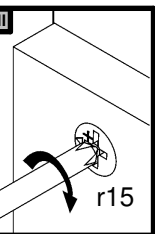
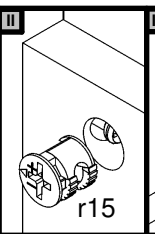
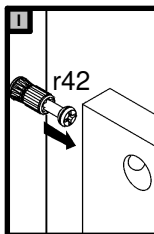
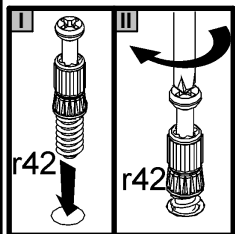
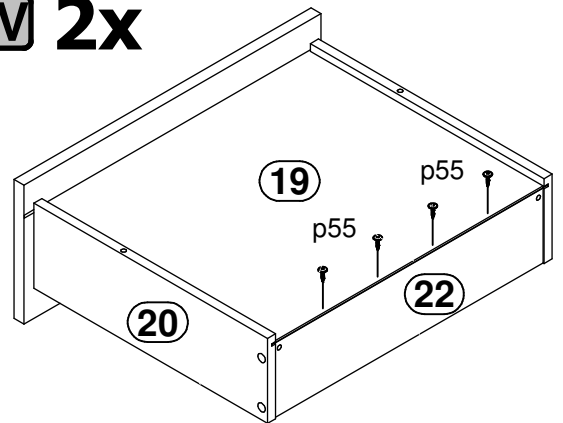
II 2x



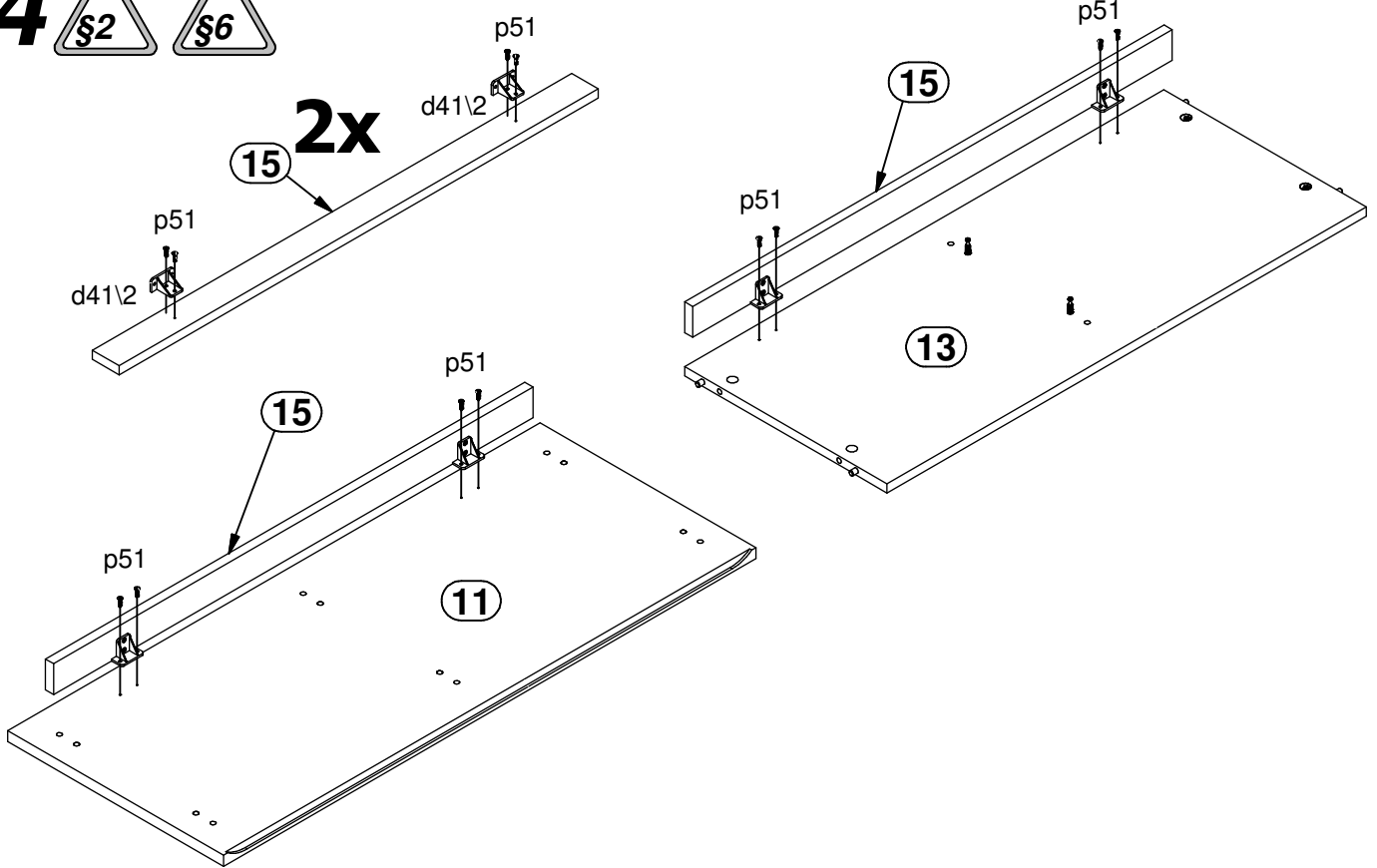
III 2x



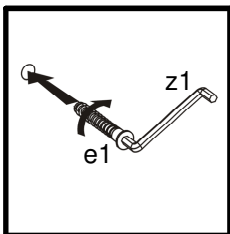
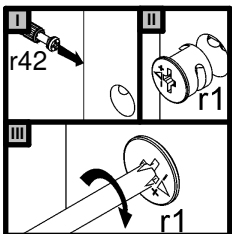
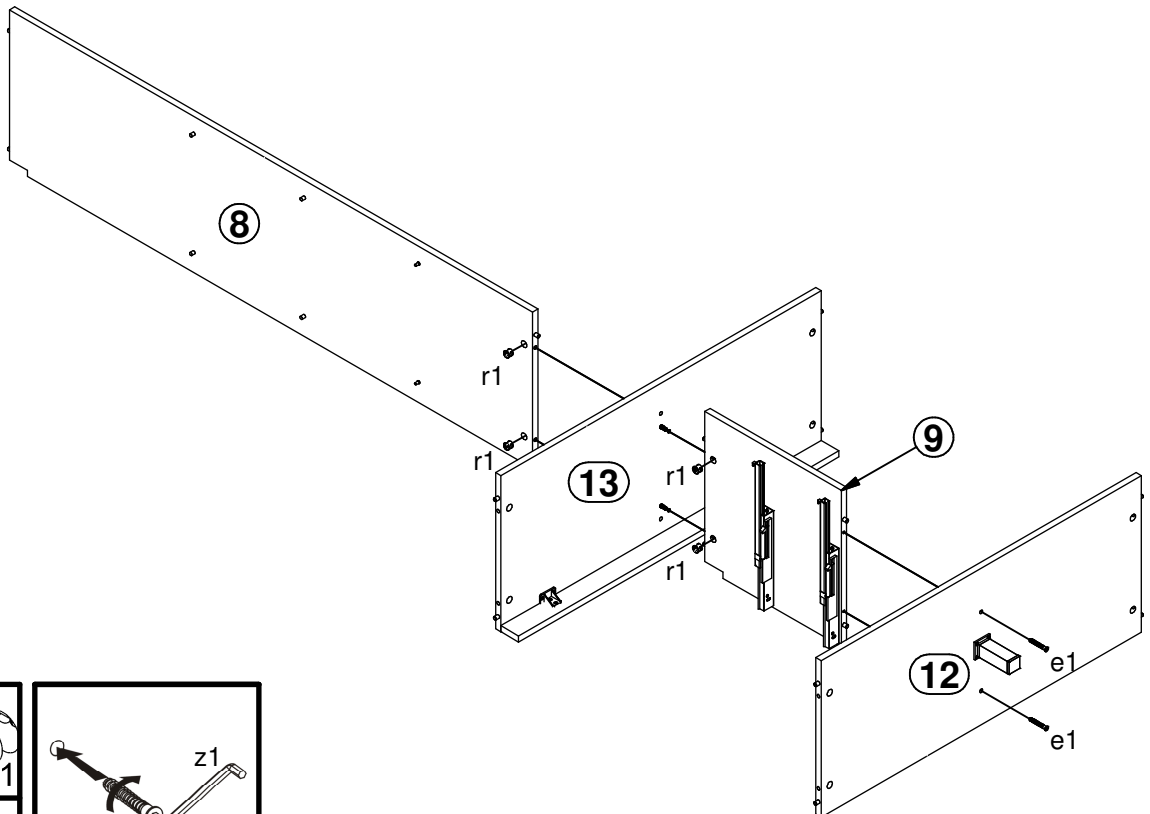
IV 2x



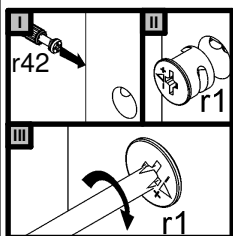
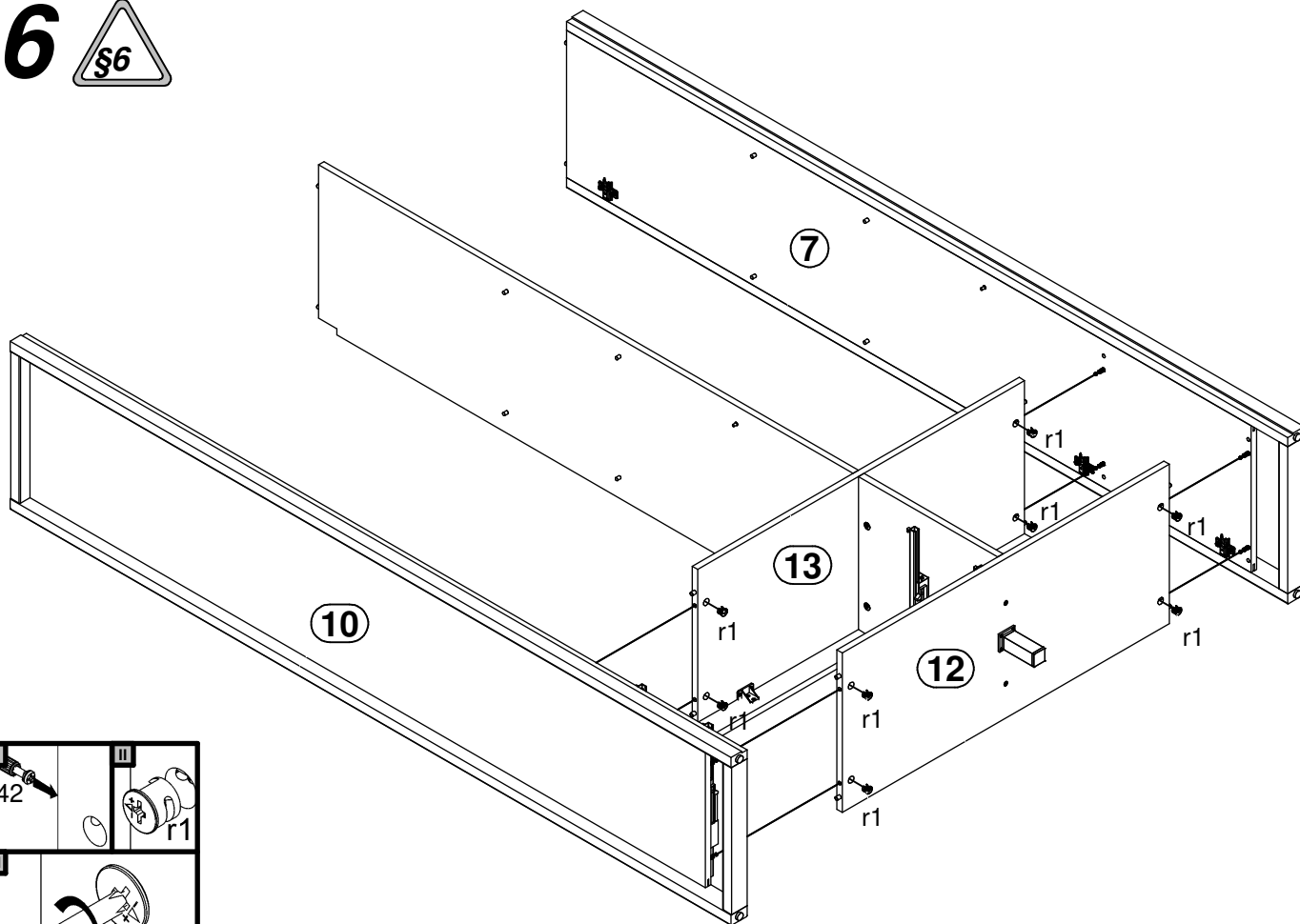
4



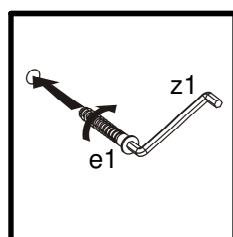
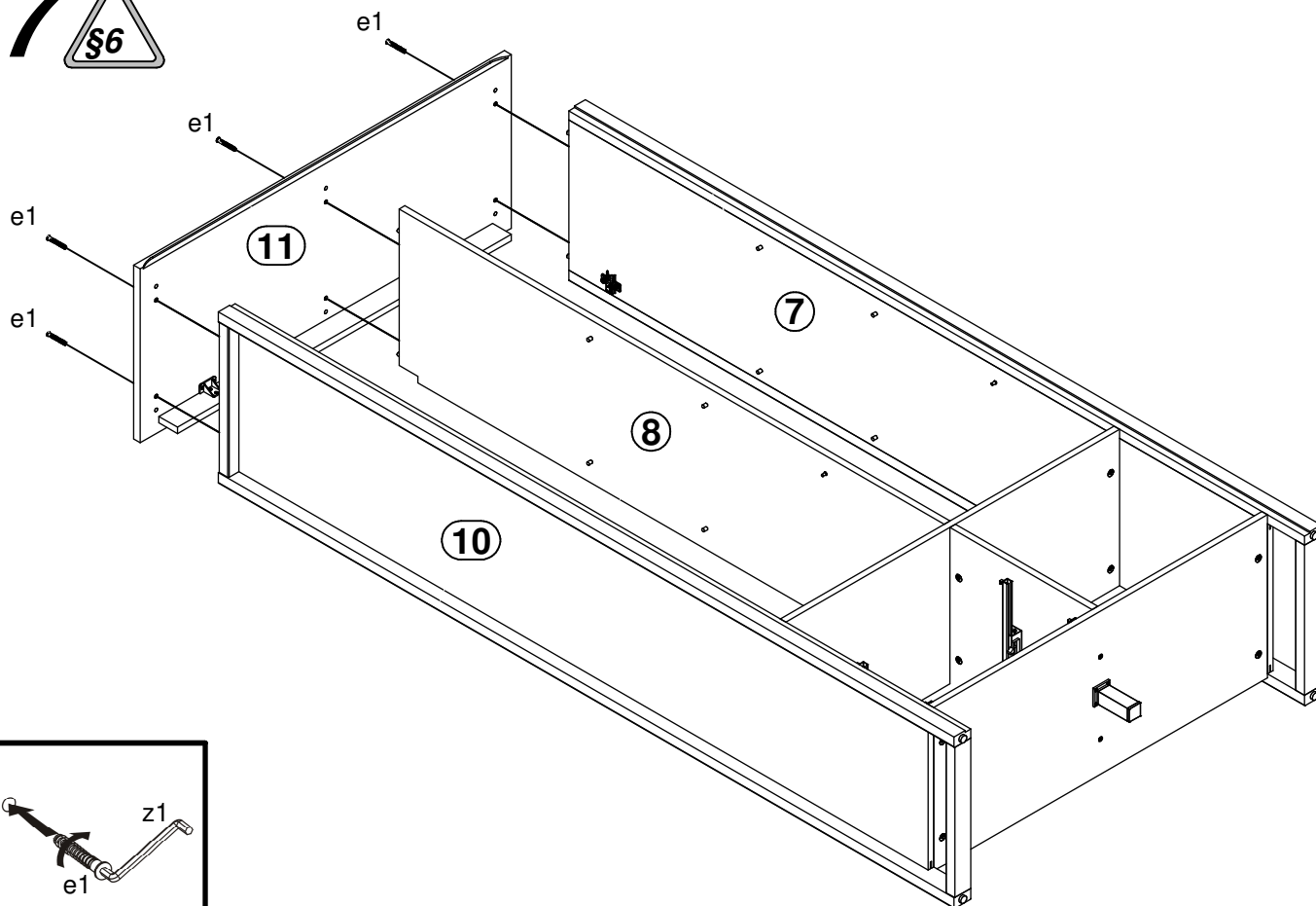
5



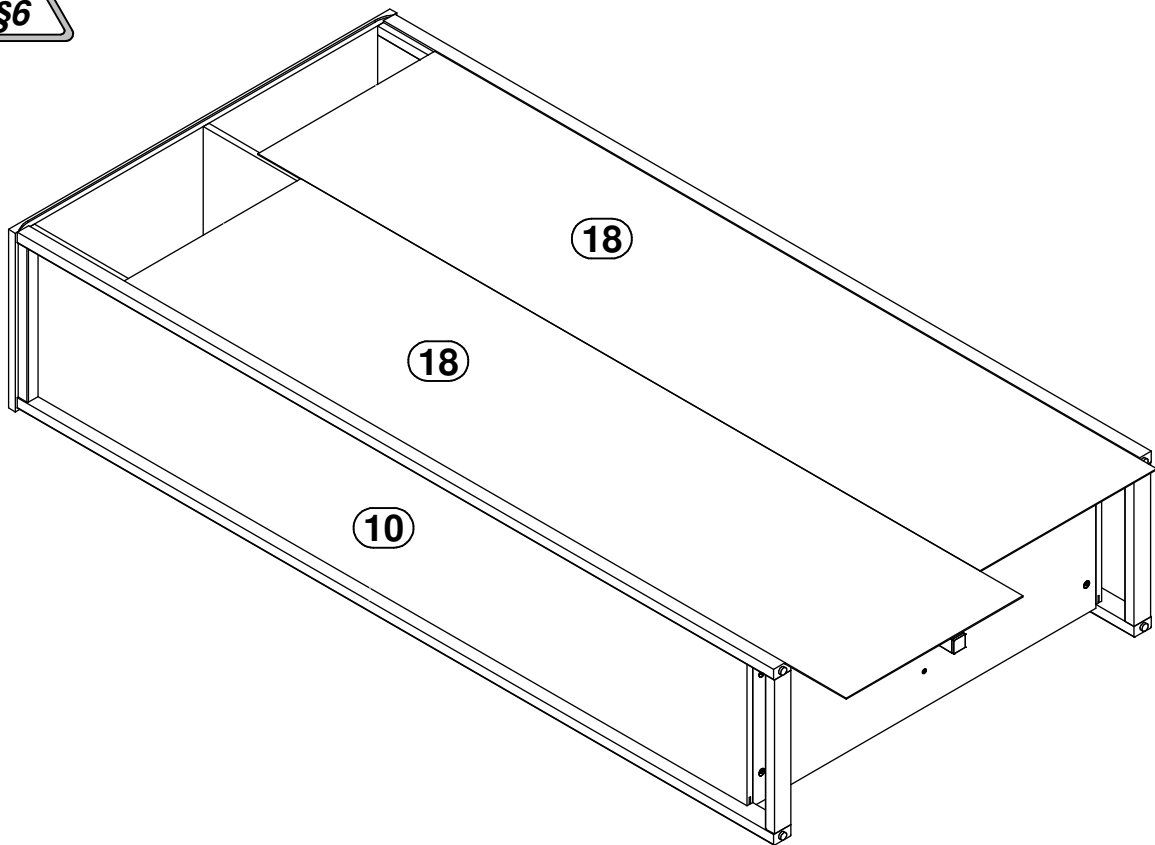
6



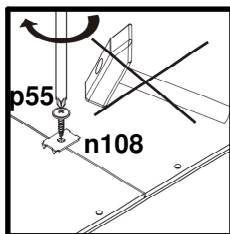
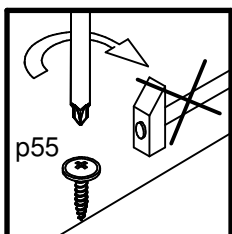
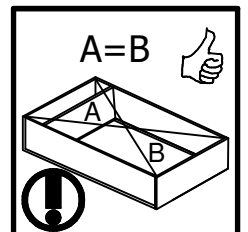
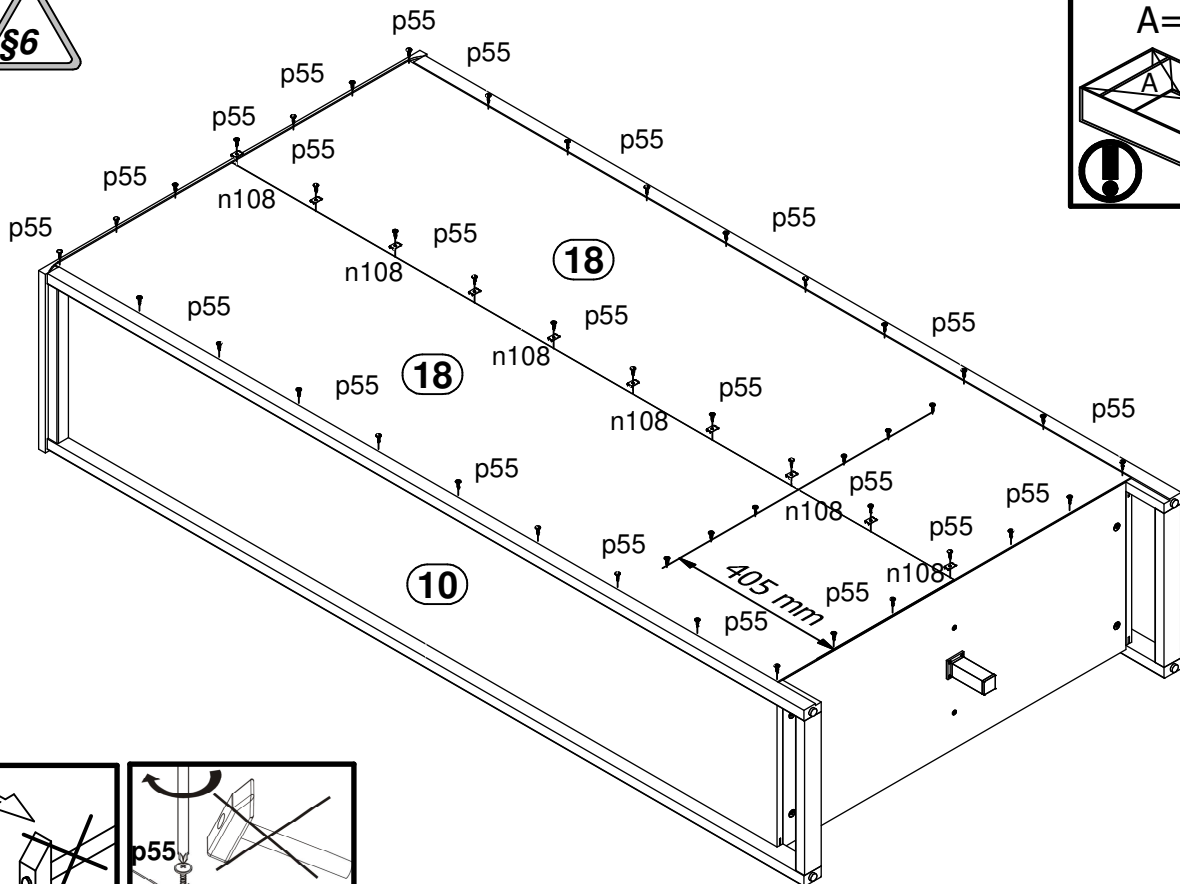
7



8



9



10

