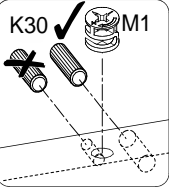
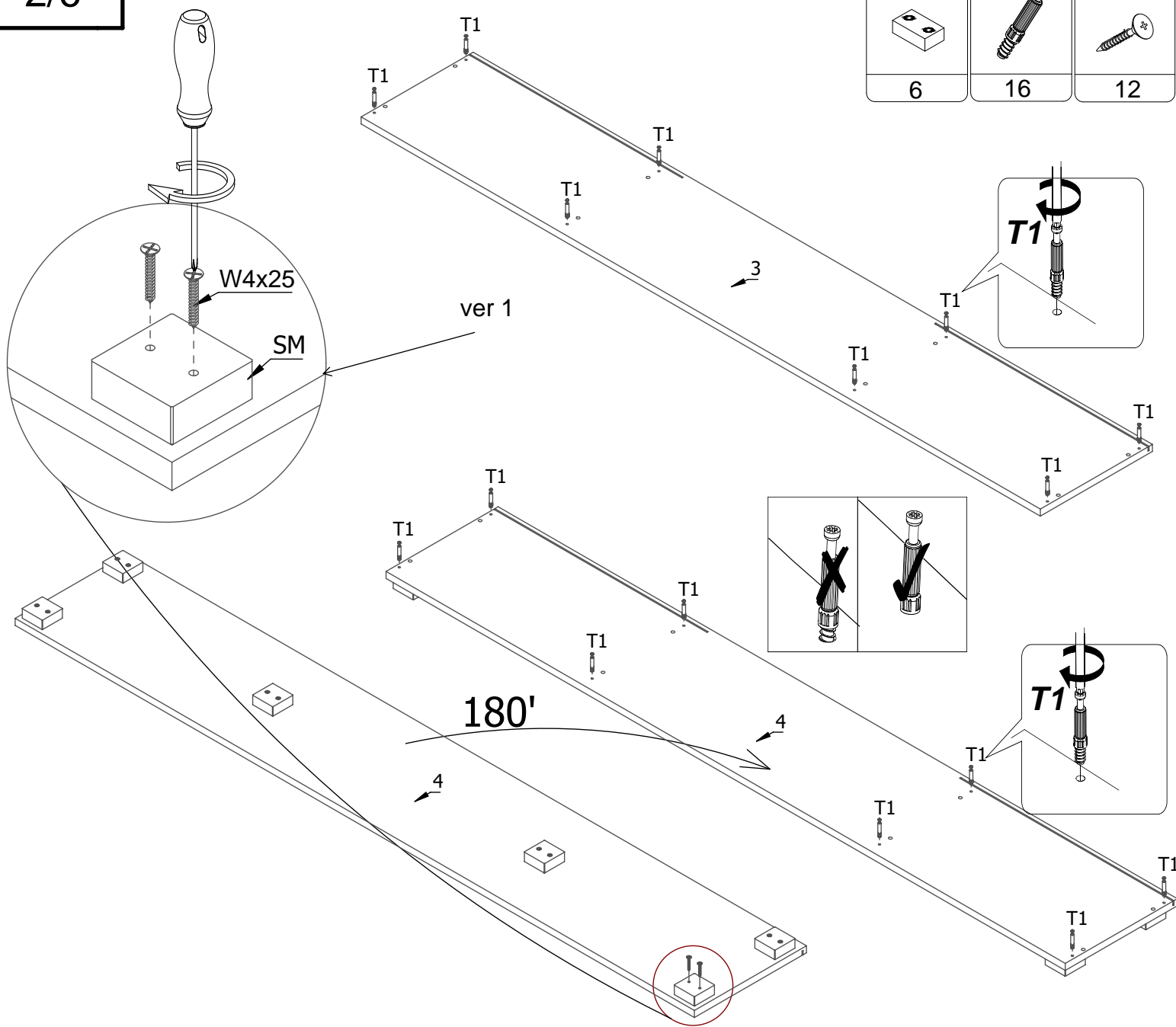


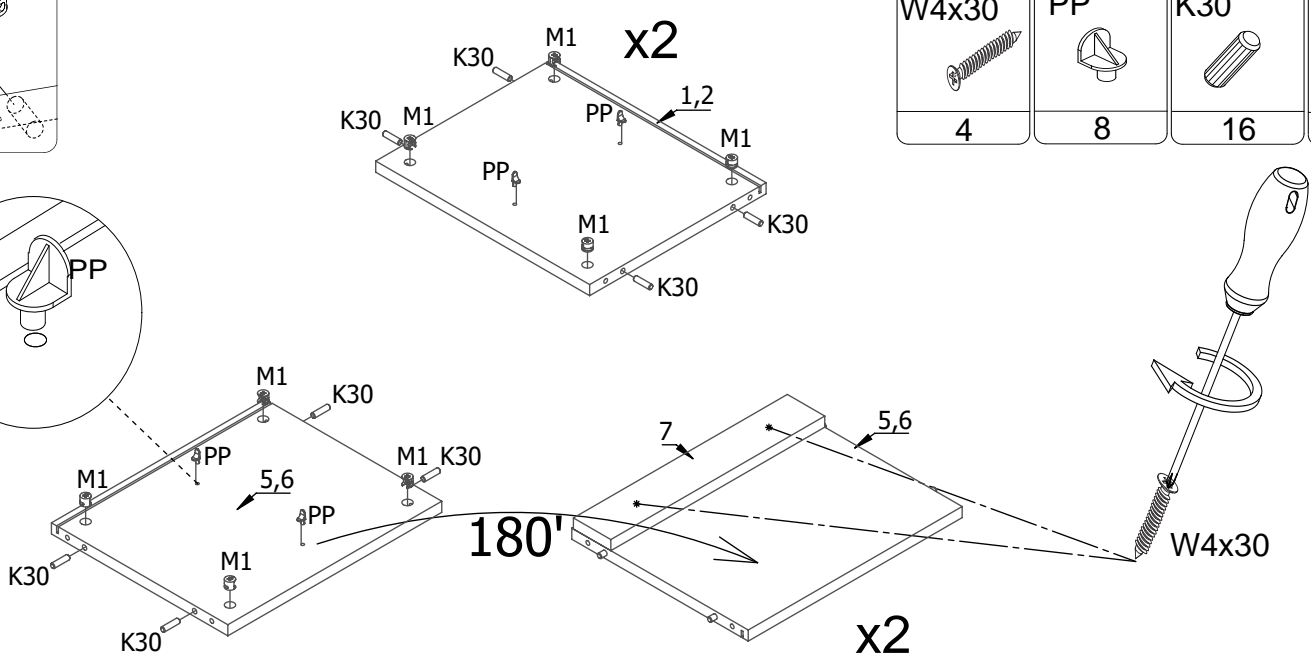
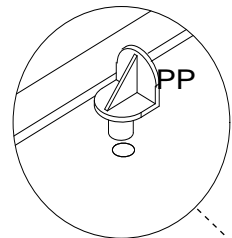
ver 1

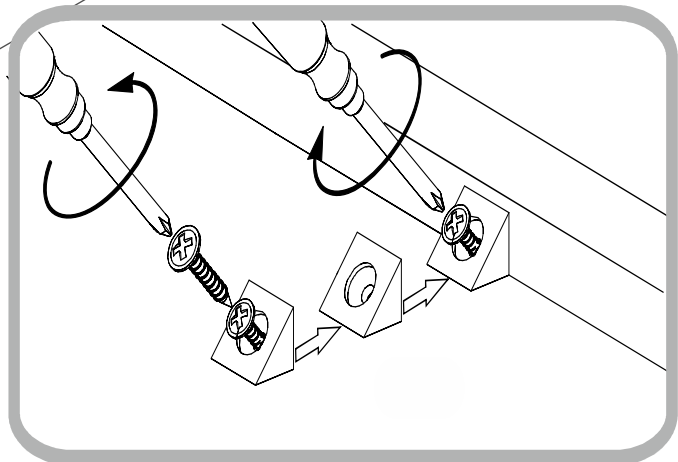
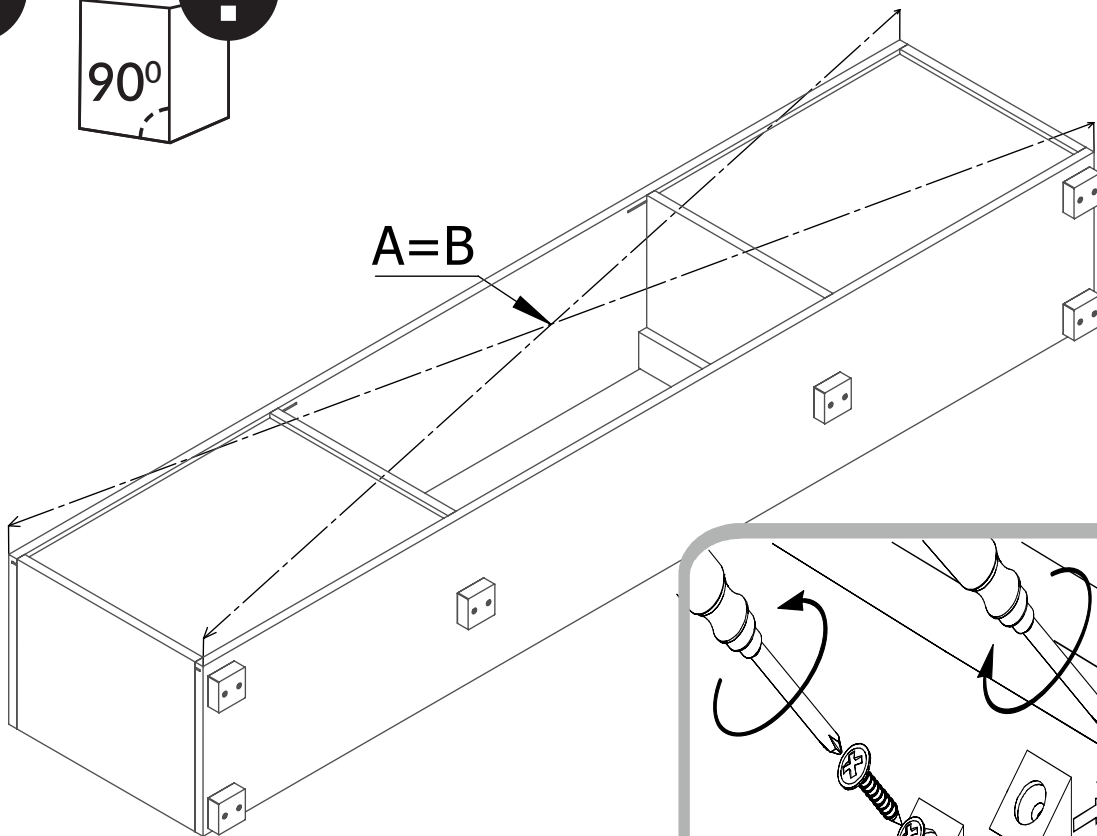
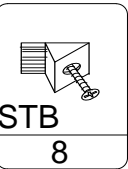
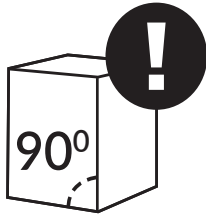
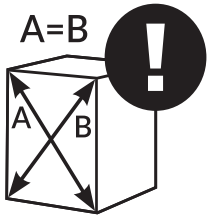
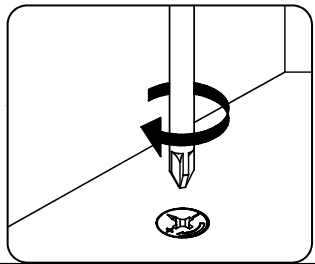
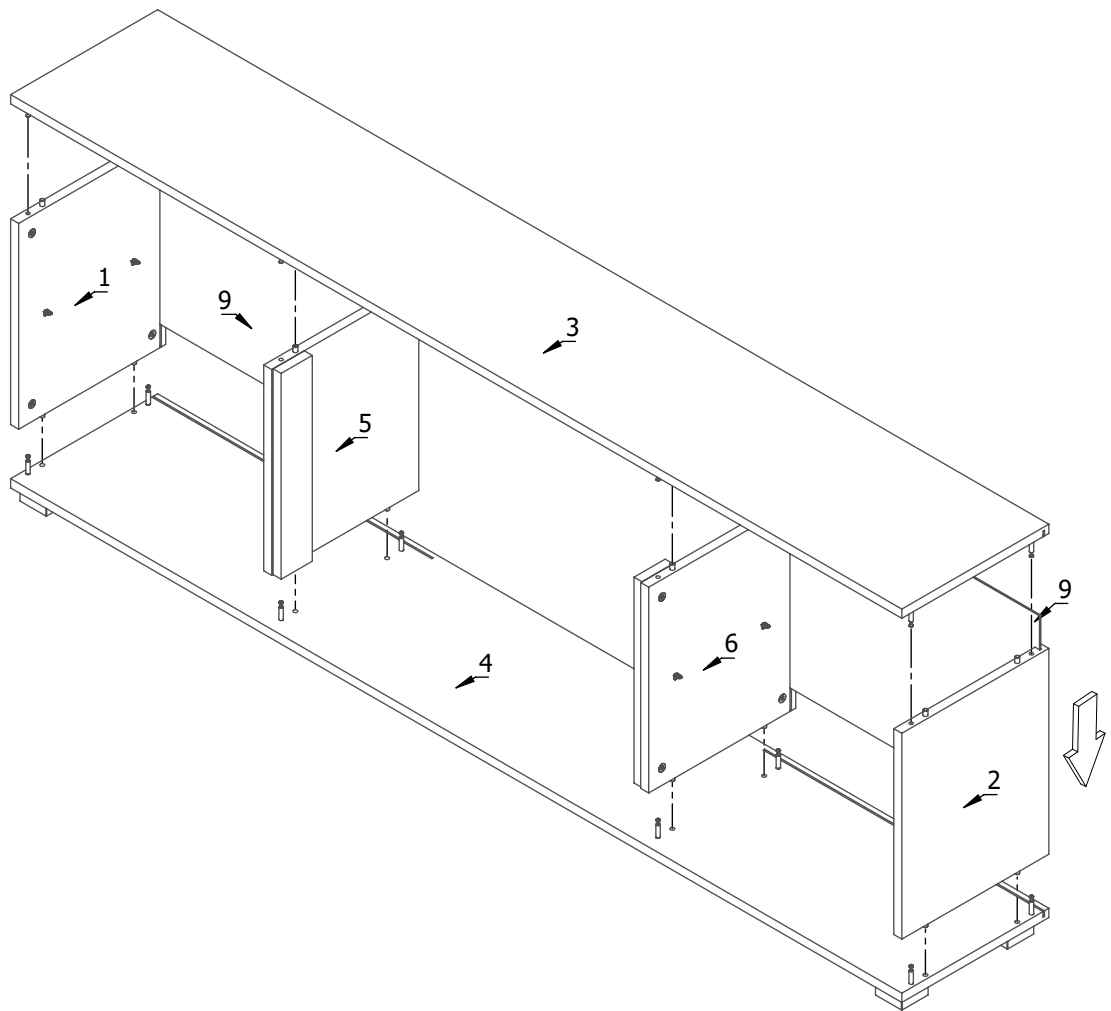
ver 2

SM	T1	W4x25
6	16	12



W4x30	PP	K30	M1
4	8	16	16



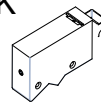


W4x30



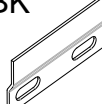
8

ZK



4

BK

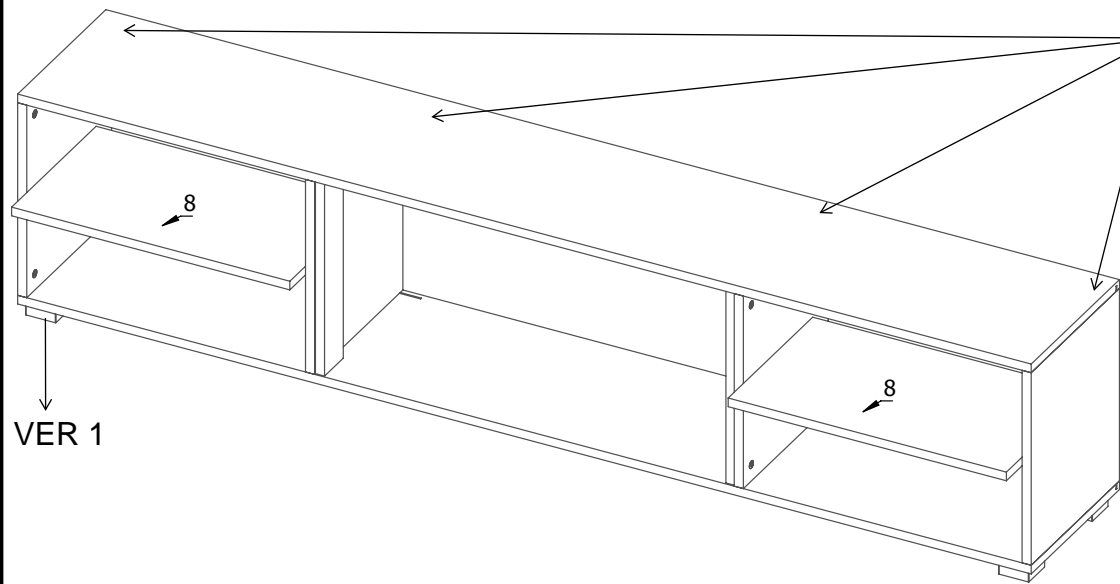


4

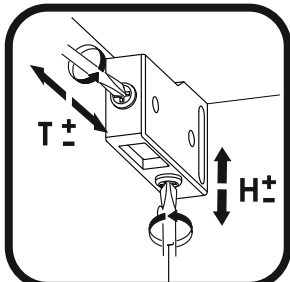
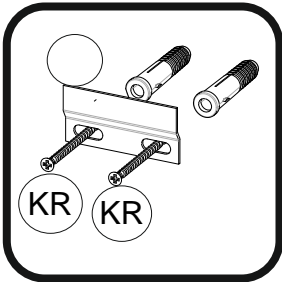
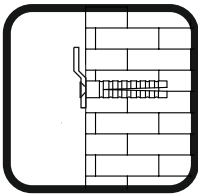
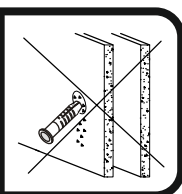
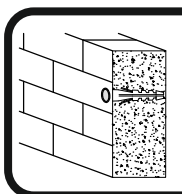
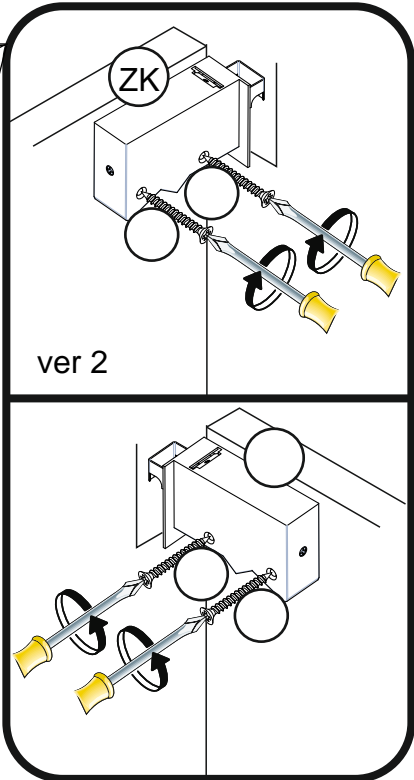
KR



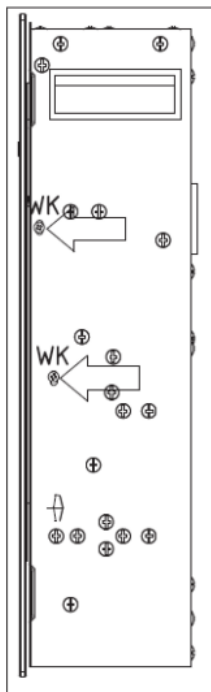
8



VER 1



RIGHT SIDE



LEFT SIDE

