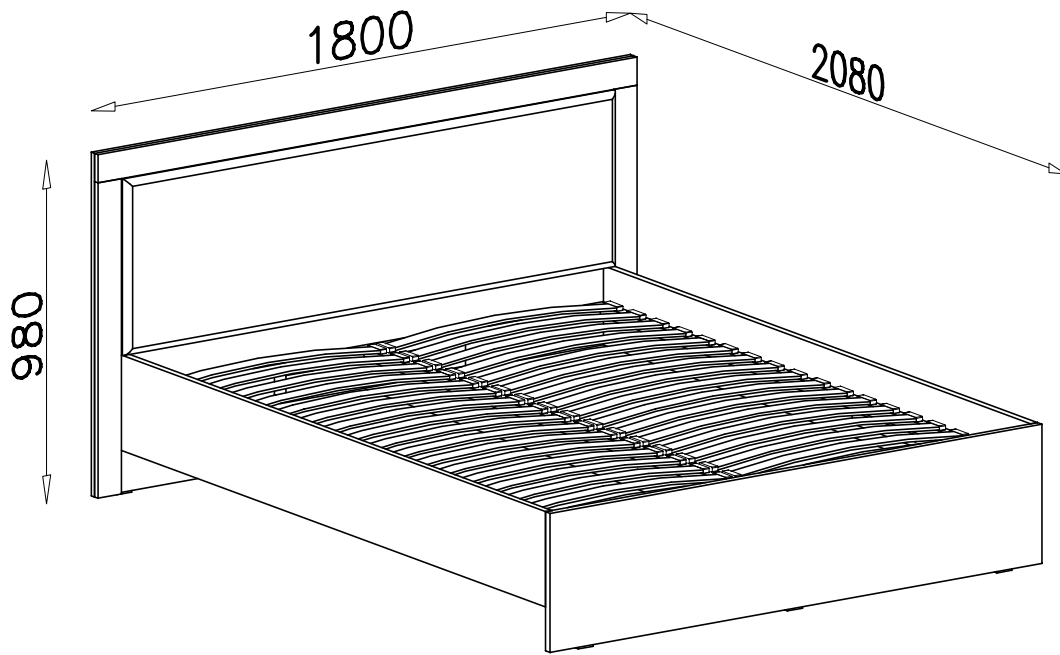
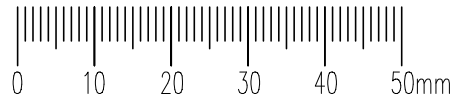
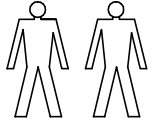
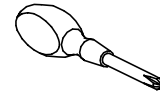
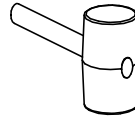
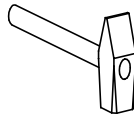
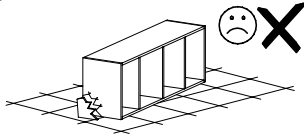
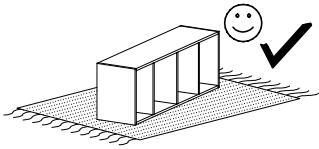


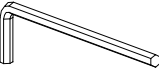


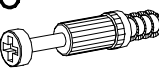
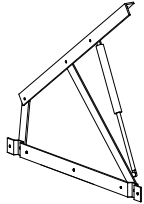
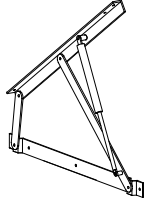
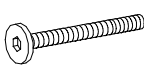
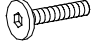
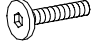
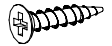
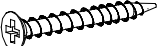


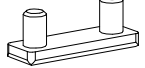


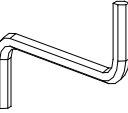

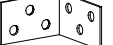
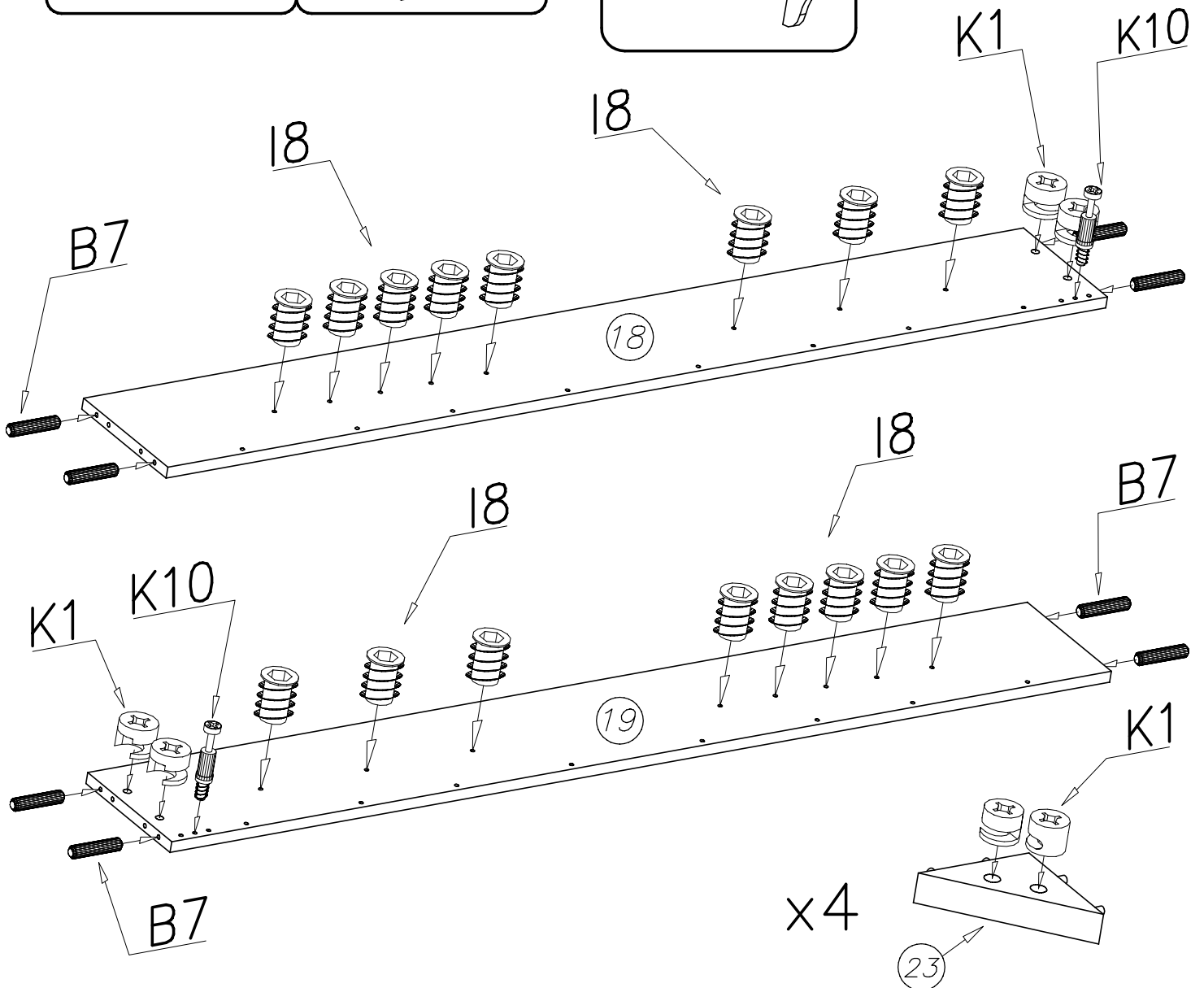
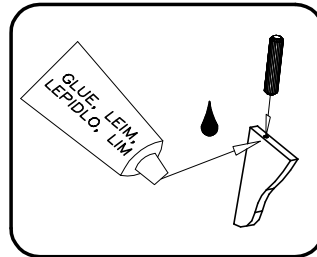
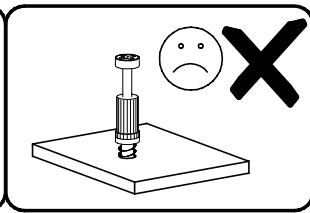
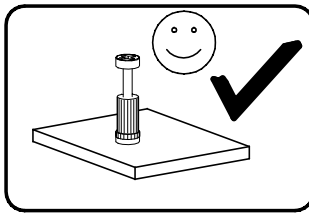
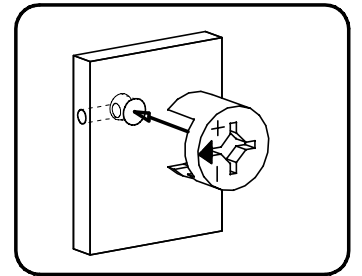
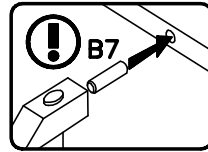
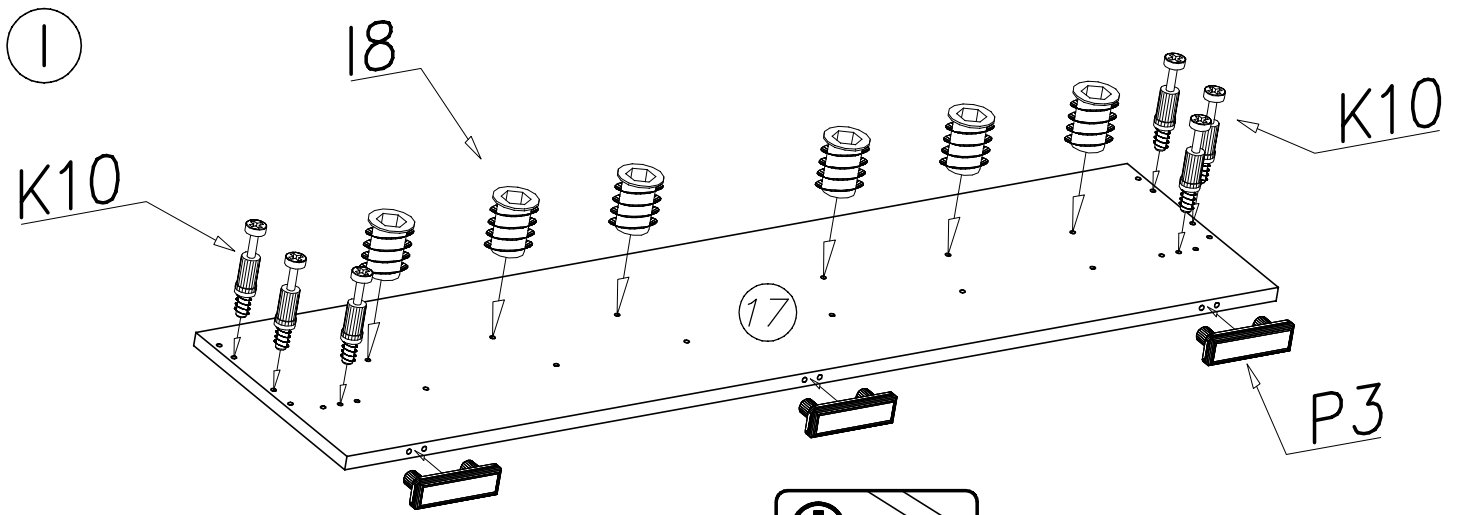


# SMART SR 6/160

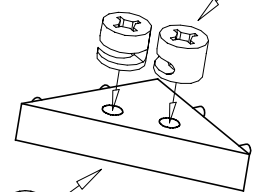


<b>Q5</b>  100mm x1	<b>M8</b>  M6x85 x1	<b>W3</b>  6mm x1		
<b>Q6</b>  128mm x1	<b>K1</b>  ø15x12 x12	<b>K10</b>  x12	<b>7L</b>  x1	<b>7P</b>  x1
<b>N34</b>  M6x50 x12	<b>N35</b>  M6x25 x18	<b>N36</b>  M6x20 x10		
<b>G11</b>  4x20 x12	<b>G9</b>  3,5x35 x28	<b>I8</b>  x40	<b>A5</b>  ø7x60 x2	<b>P3</b>  x6
<b>A1</b>  ø7x50 x4	<b>B7</b>  ø8x30 x8	<b>W2</b>  x1	<b>W1</b>  GLUE, LEIM, LEPIDLO, LIM x1	<b>M3</b>  50x50x25 x2

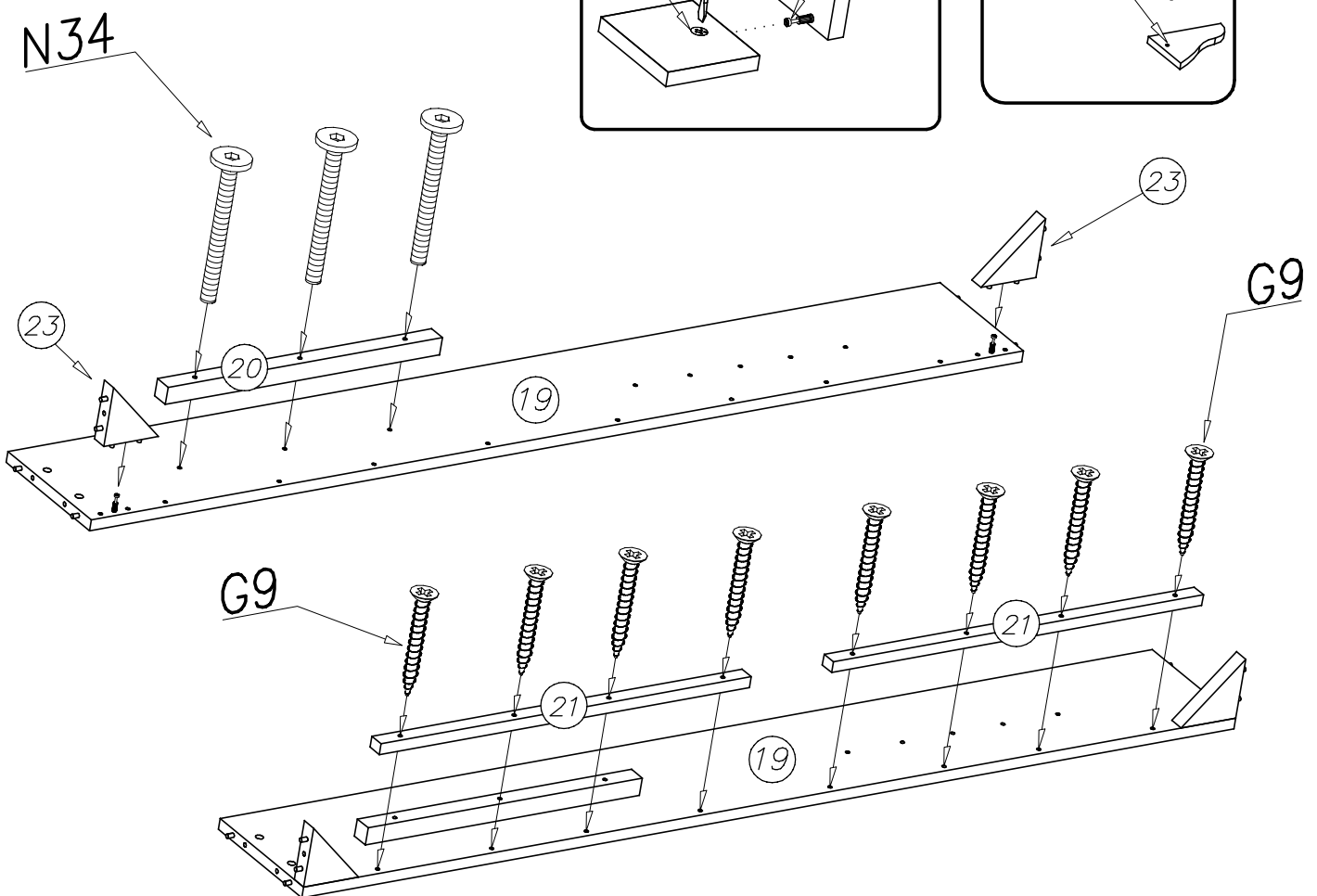
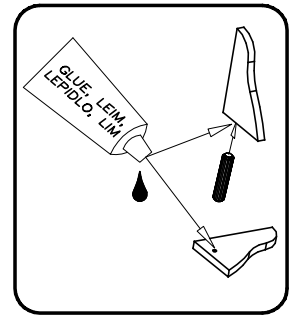
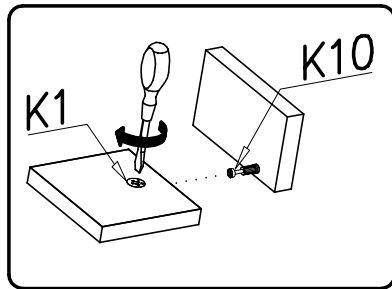
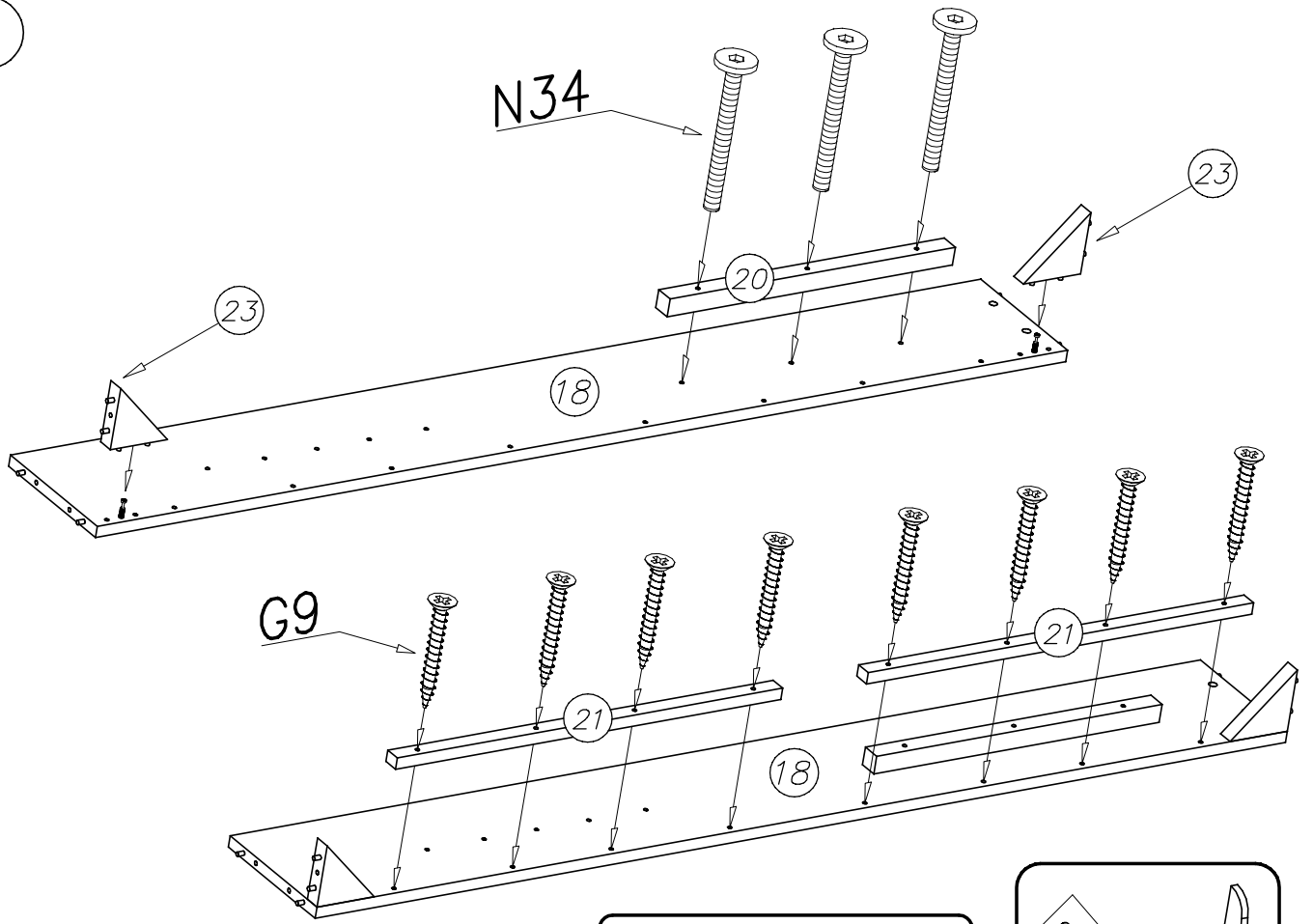


x4

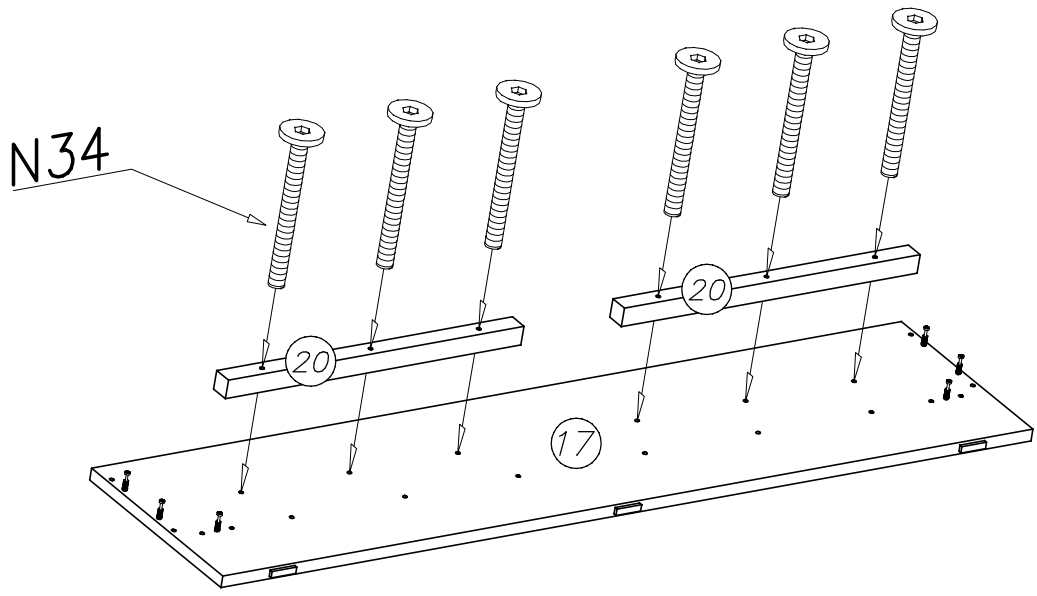
23



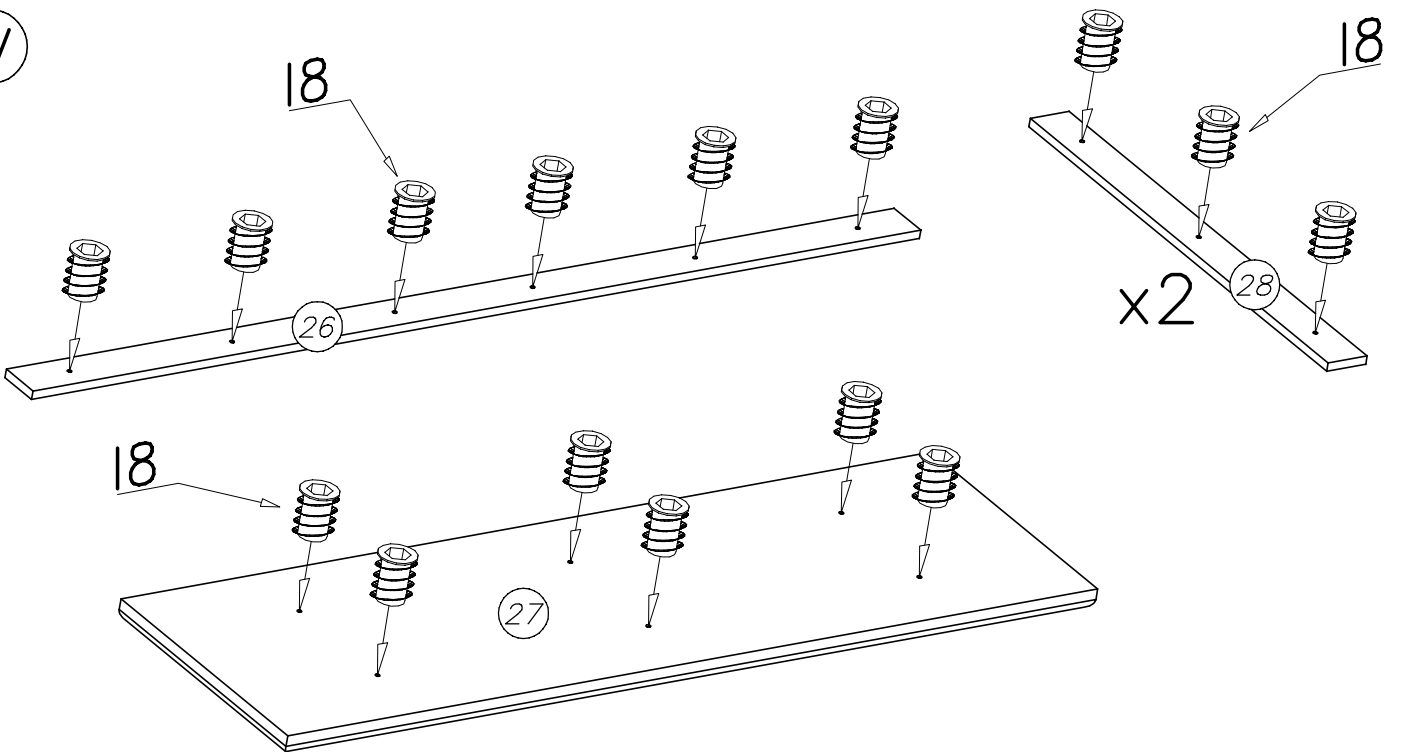
II



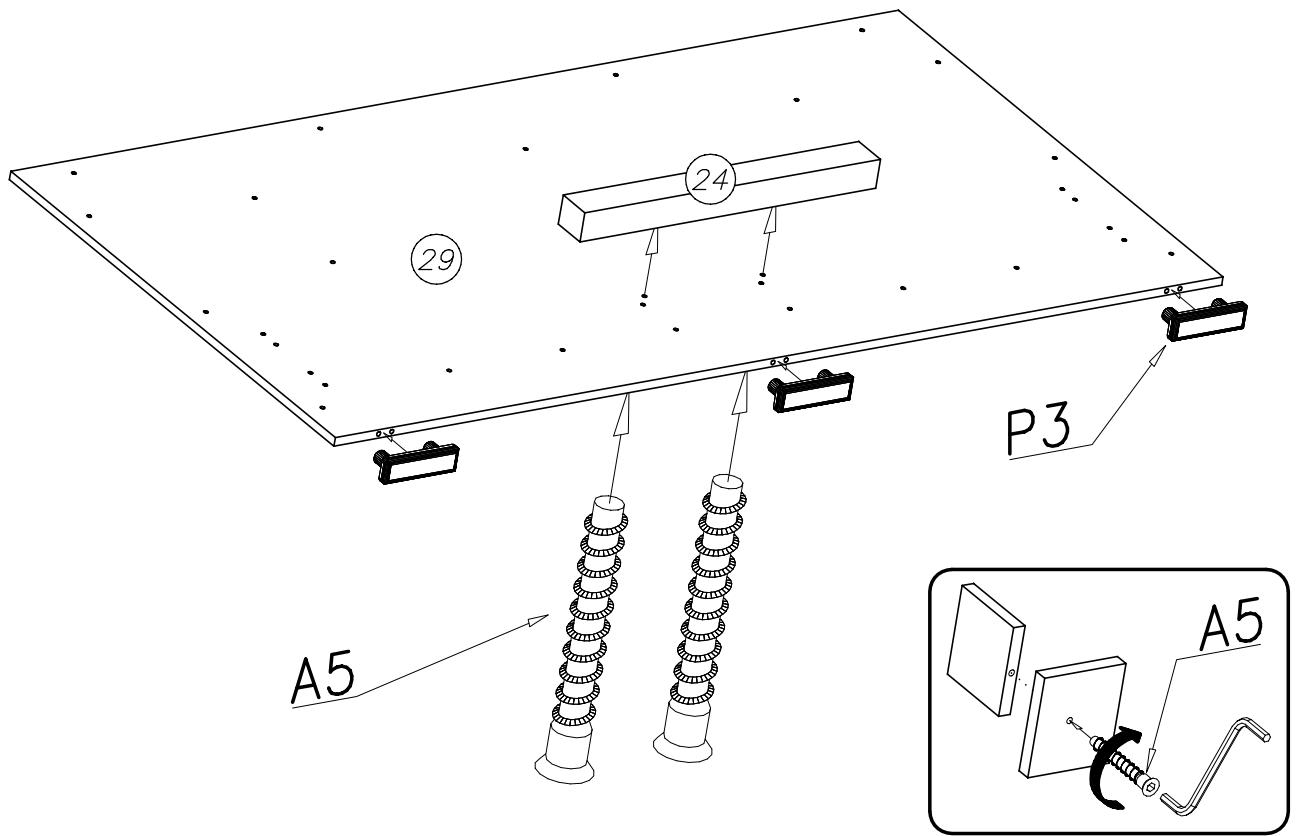
III



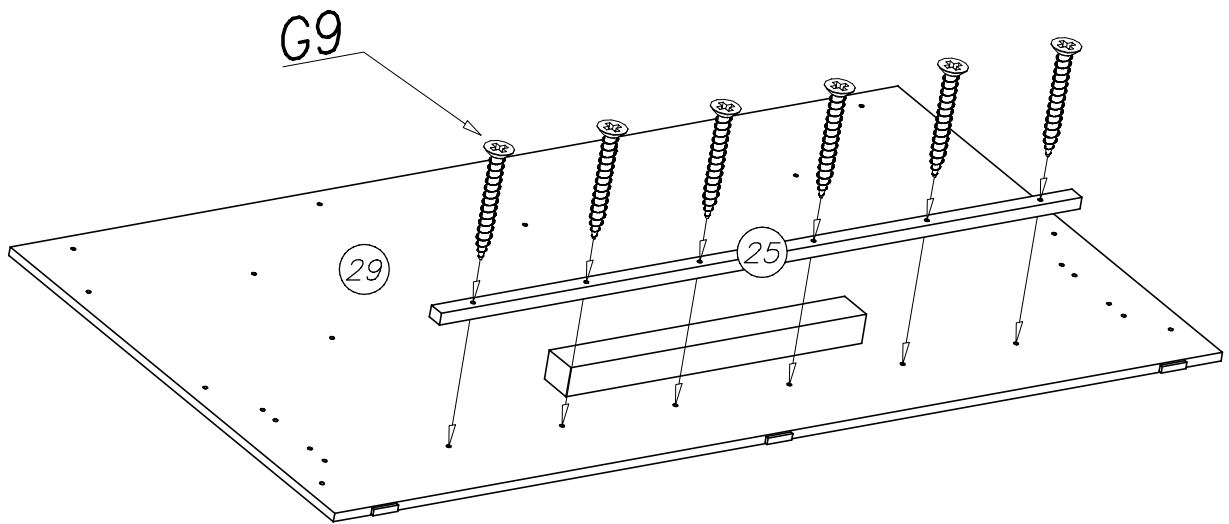
IV



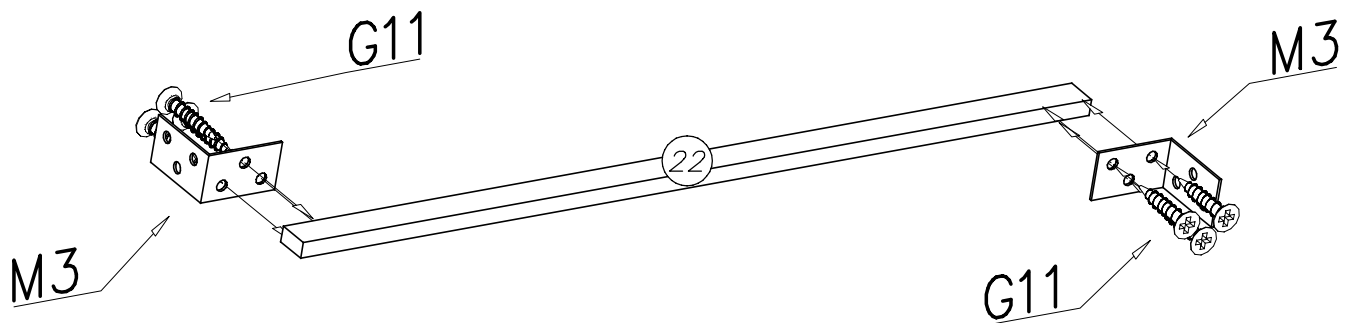
V



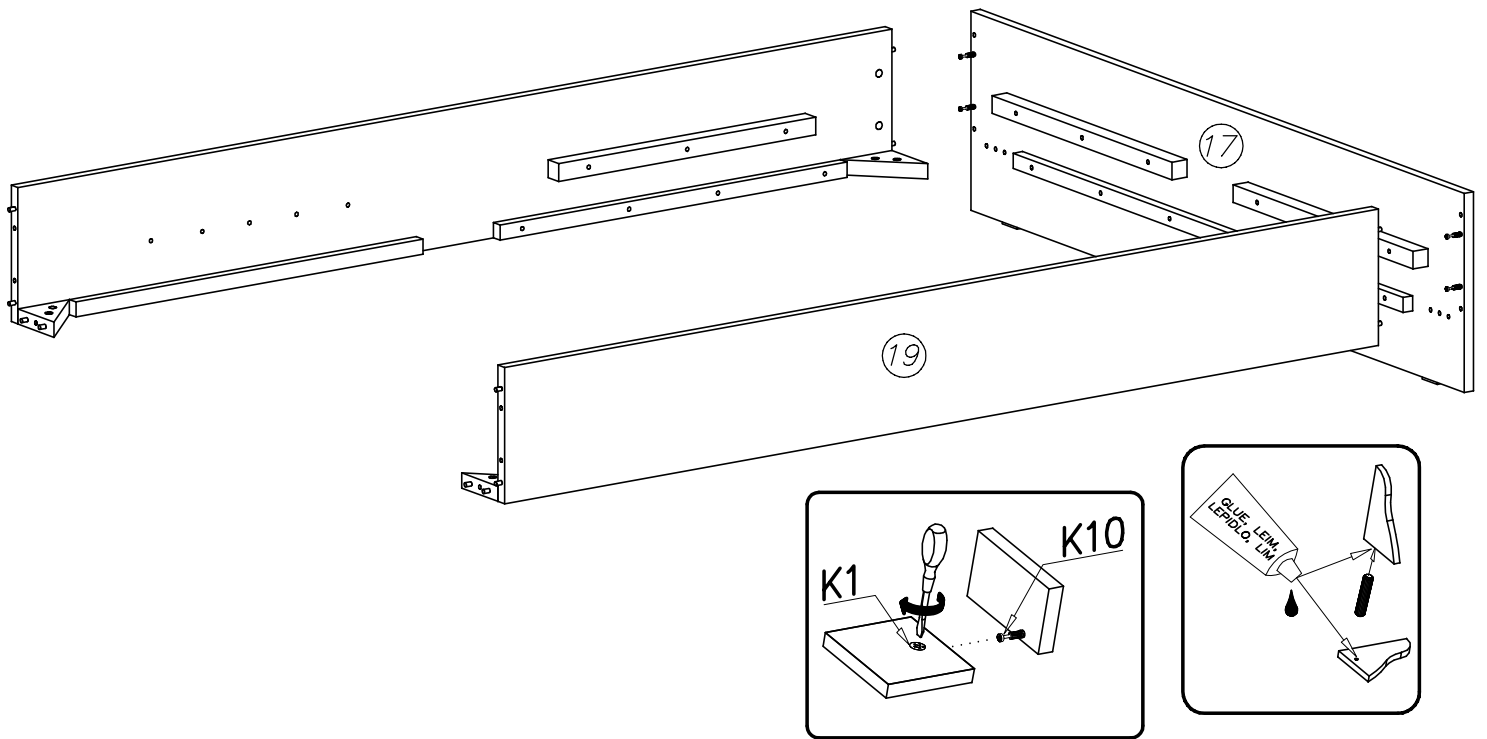
VI



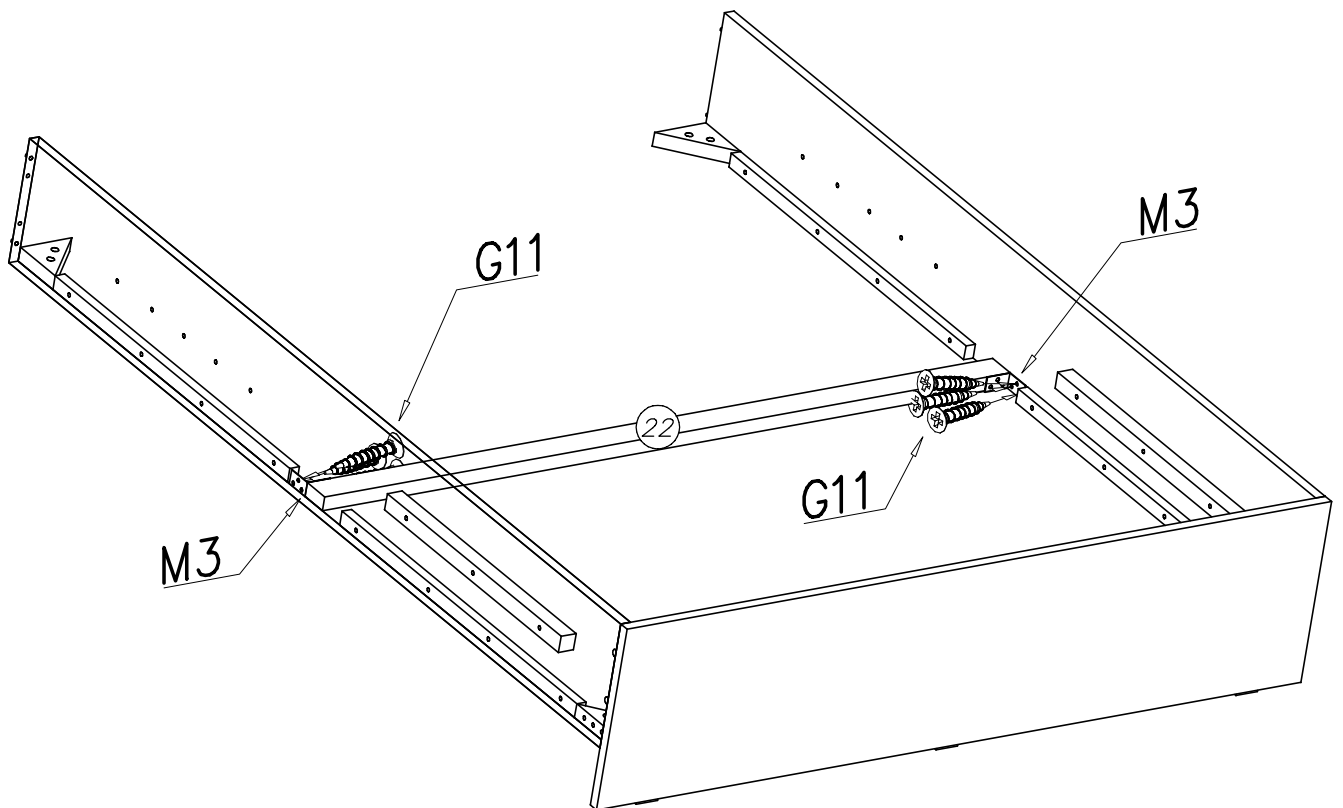
VII



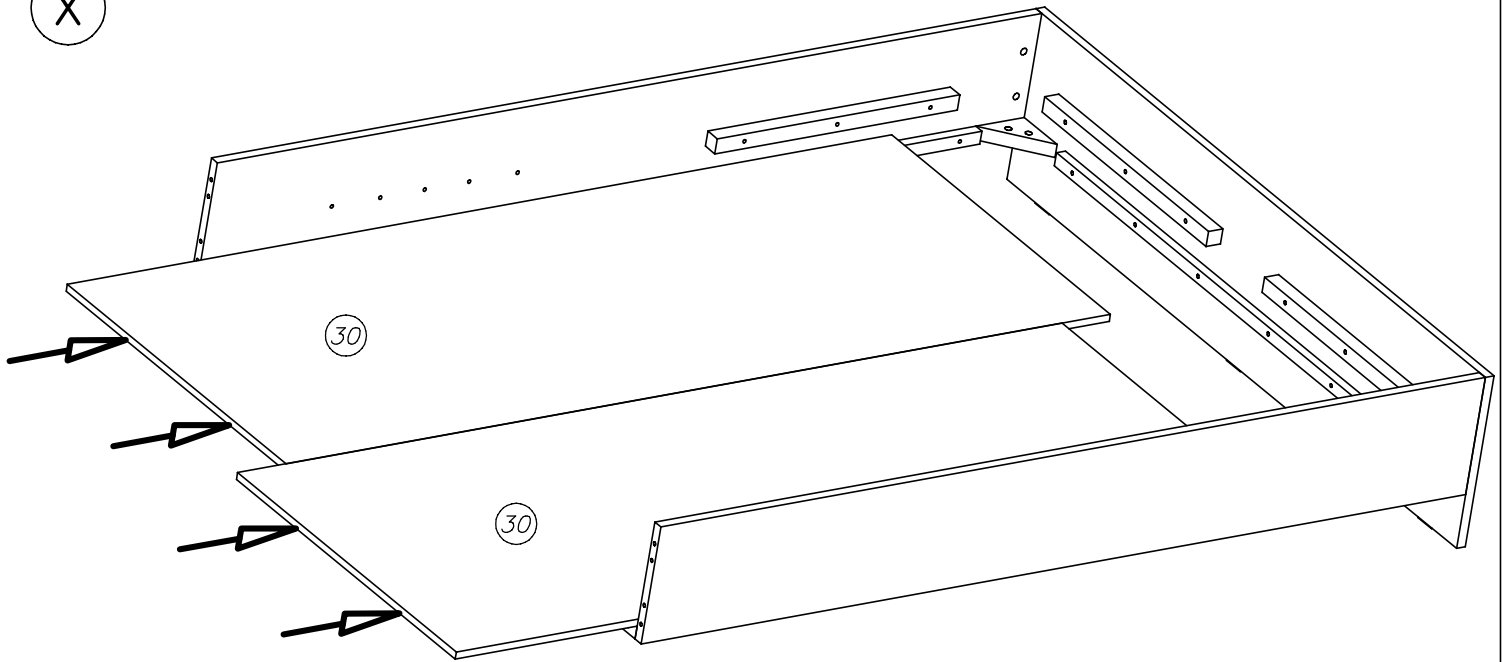
VIII



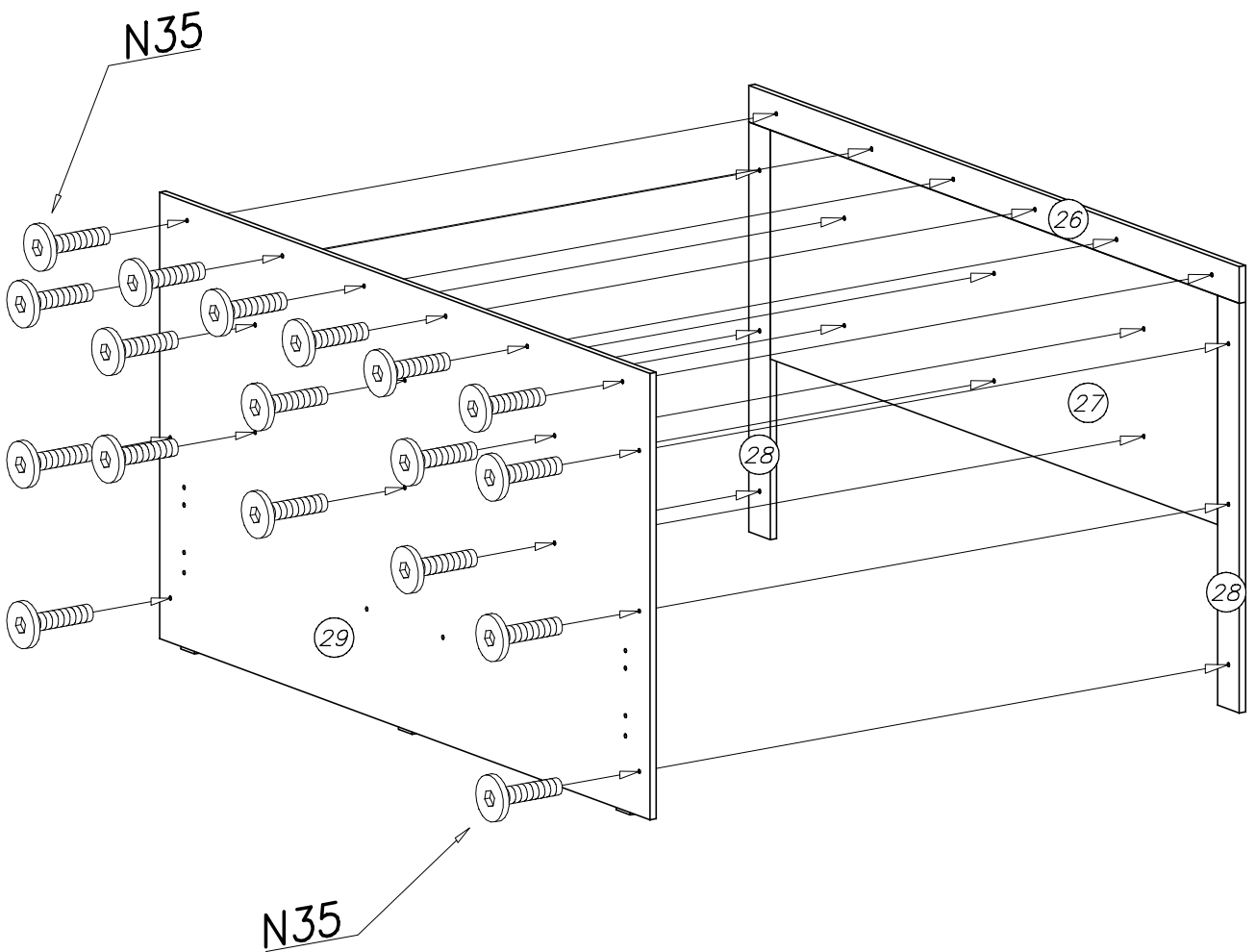
IX



X



XI



XII

