
















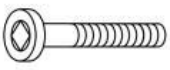

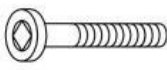

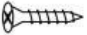
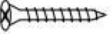

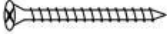



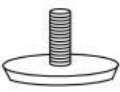



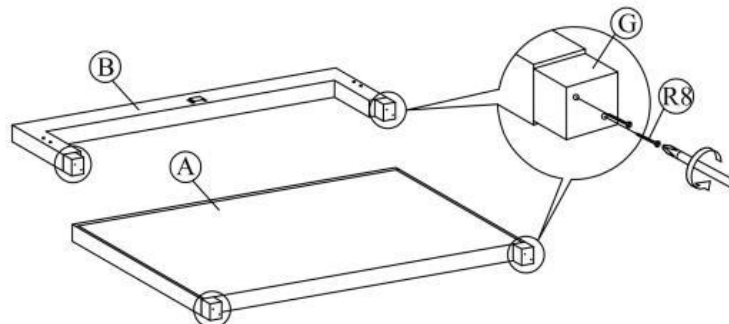
# HARRIET 160

<b>A</b> (1 PC)	<b>B</b> (1 PC)	<b>C</b> (2 PCS)	<b>D</b> (1 PC)	<b>E</b> (2 PCS)	<b>F</b> (4 PCS)
					
<b>G</b> (4 PCS)	<b>H</b> (1 PC)	<b>I</b> (1 PC)	<b>J</b> (6 PCS)	<b>K</b> (1 PC)	<b>L</b> (2 PCS)
	(WITH LABEL 1) 	(WITH LABEL 2) 	(WITH LABEL 3) 	(WITH LABEL 4) 	(WITH LABEL 5) 
<b>M</b> (2 PCS)	<b>N</b> (2 PCS)	<b>O</b> (7 PCS)	<b>P</b> (4 PCS)	<b>Q</b> (1 PCS)	
(WITH LABEL 6) 	(WITH LABEL 7) 	(WITH LABEL 8) 	(WITH LABEL 9) 		

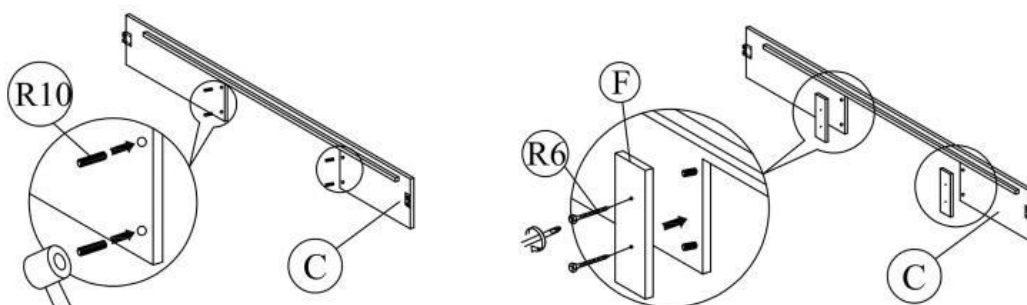
<b>R1</b> (2 PCS)	<b>R2</b> (8 PCS)	<b>R3</b> (4 PCS)	<b>R4</b> (8 PCS)	<b>R5</b> (60 PCS)
				
<b>R6</b> (8 PCS)	<b>R7</b> (45 PCS)	<b>R8</b> (32 PCS)	<b>R9</b> (14 PCS)	<b>R10</b> (8 PCS)
				
<b>R11</b> (24 PCS)	<b>R12</b> (2 PCS)	<b>R13</b> (6 PCS)		
				

# HARRIET 160

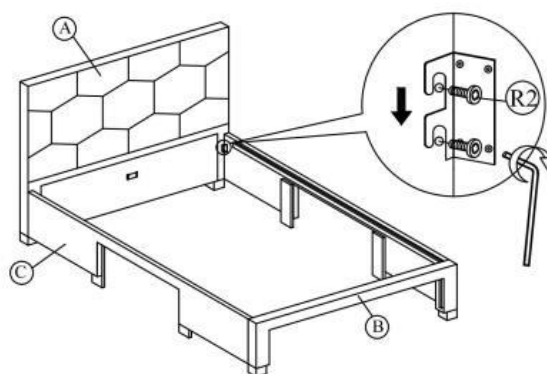
1



2



3

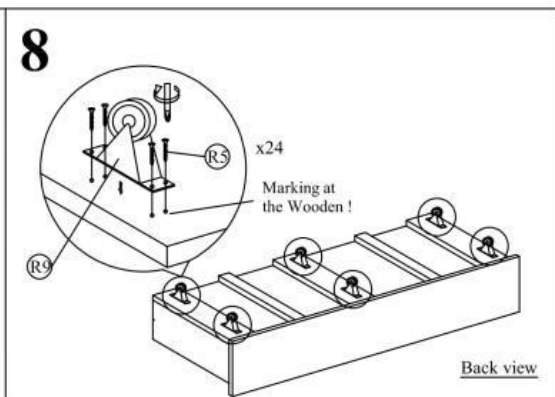
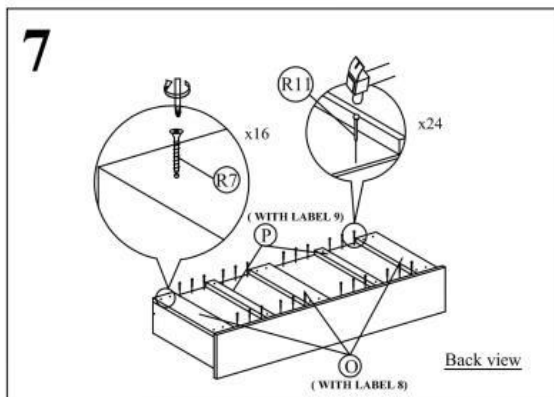
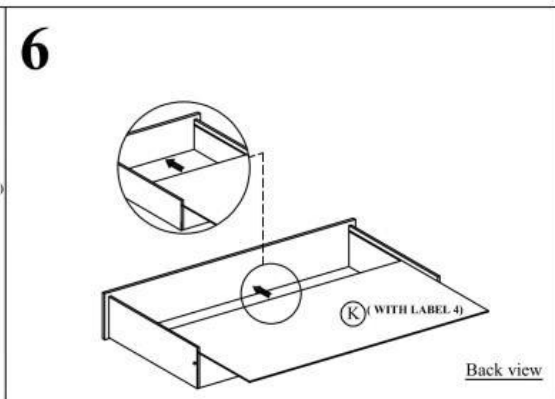
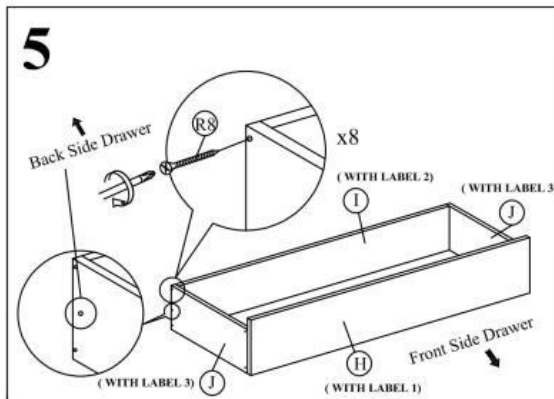
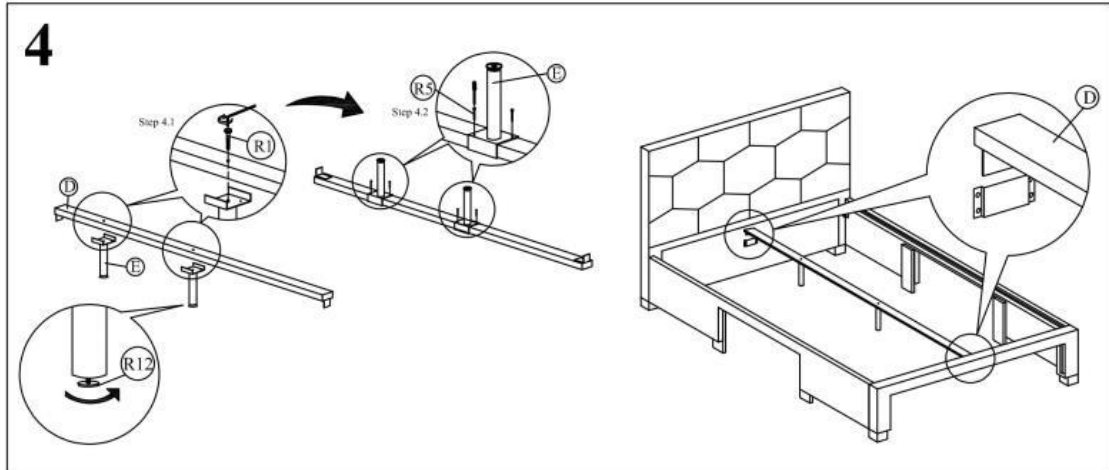


HALMAR SP.z o. o.  
ul. Centralnego Okregu Przemyslowego 2, 37-450 Stalowa Wola, POLSKA / POLAND  
tel.:+48 15 843 28 10, fax:+48 15 842 19 57, e-mail: office@halmar.com.pl

2/4

NOWOŚĆ

# HARRIET 160



# HARRIET 160

