

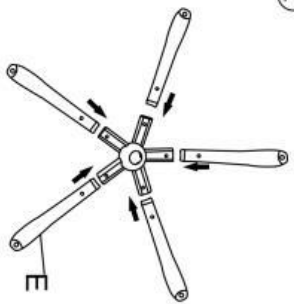


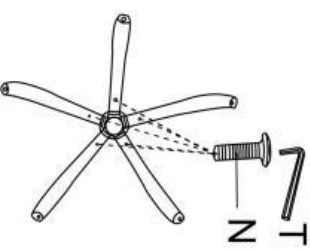


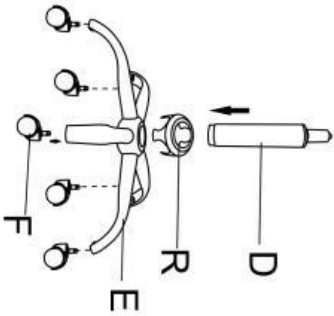


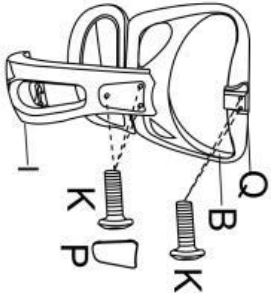
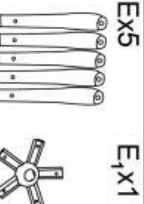

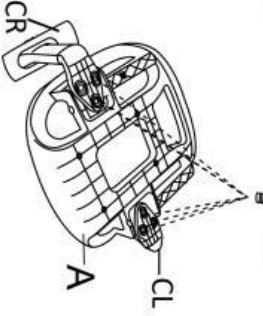

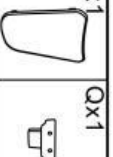
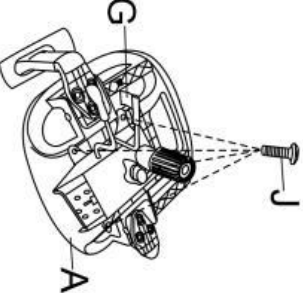

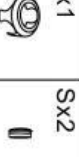
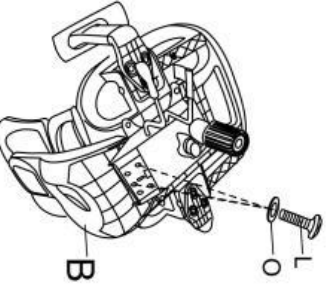
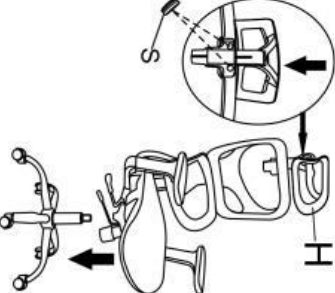



GOTARD

| | | |
|---|--|--|
| Ax1  | Ix1  | 1  |
| Bx1  | Jx4 M6x20mm  | 2  |
| CLx1 CRx1  | Kx5 M6x25mm  | 3  |
| Dx1  | Lx3  | 4  |
| Ex5 E ₁ x1  | Mx6 M6x30mm Nx5 M6x16mm Ox3  | 5  |
| Fx5  | Px1 Qx1 Rx1 Sx2 Tx1  | 6  |
| Gx1  | Hx1  | 7  |
| | | 8  |
| | | 9  |

HALMAR Sp. z o.o.
 ul. Centralnego Okręgu Przemysłowego 2, 37-450 Stalowa Wola, POLSKA / POLAND
 tel. +48 15 843 28 10, fax: +48 15 842 19 57, e-mail: office@halmar.com.pl

V.1

NOWOŚĆ