







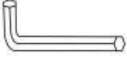
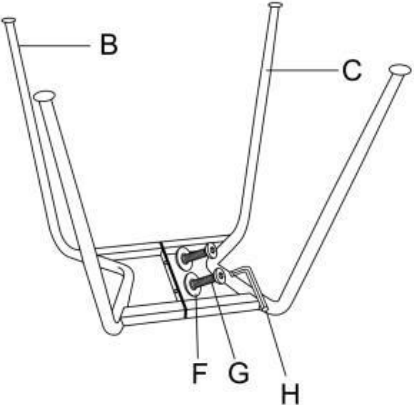


# K505

<p>Ax1</p> 	<p>Bx1</p> 	
<p>Cx1</p> 	<p>Dx4</p>  <p>M6x30mm</p>	
<p>Ex4</p>  <p>M6x18mm</p>	<p>Fx2</p>  <p>M8x18mm</p>	
<p>Gx2</p>  <p>M8x16mm</p>	<p>Hx1</p>  <p>M5</p>	
<p>1.</p> 		<p>2.</p> 