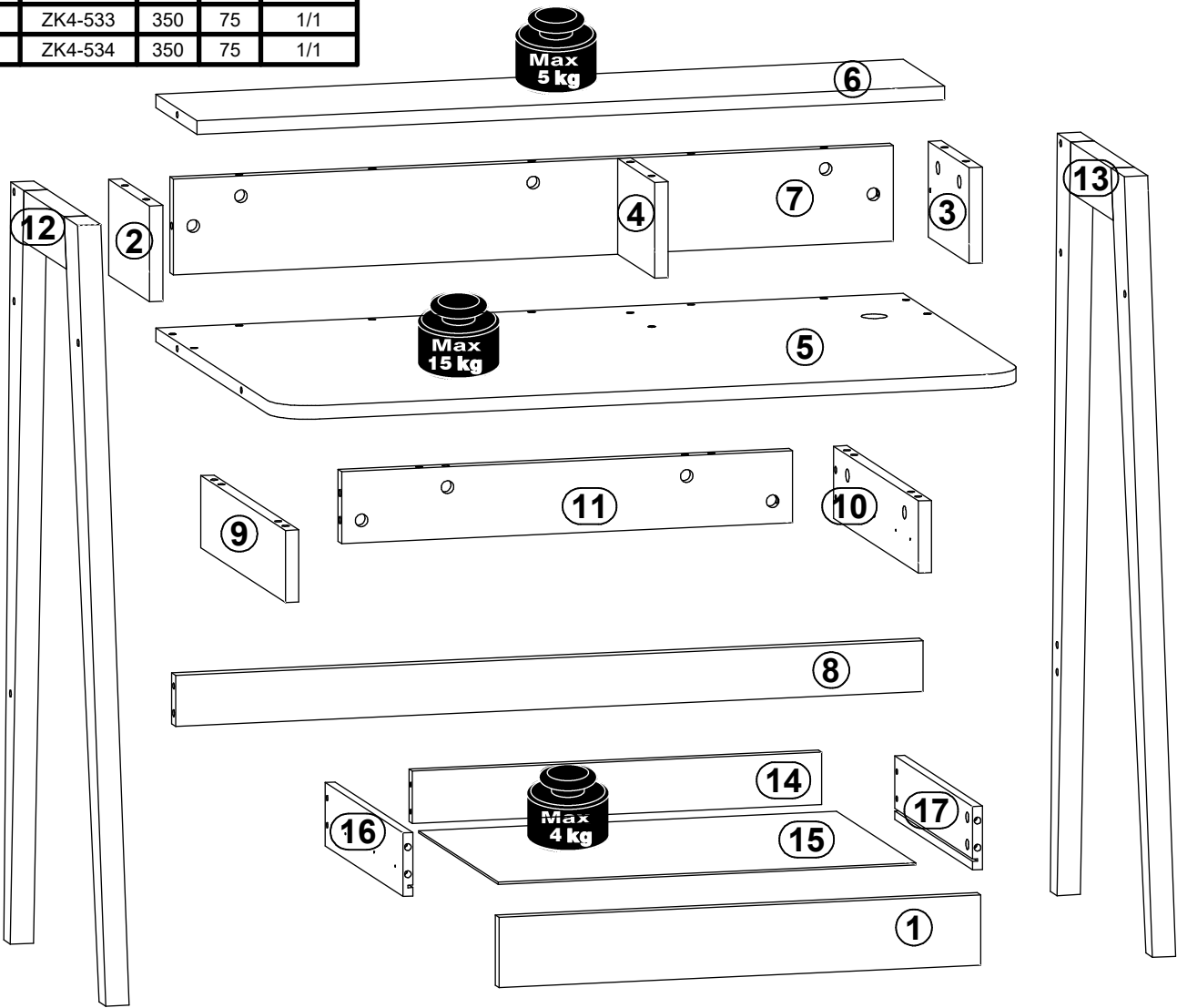
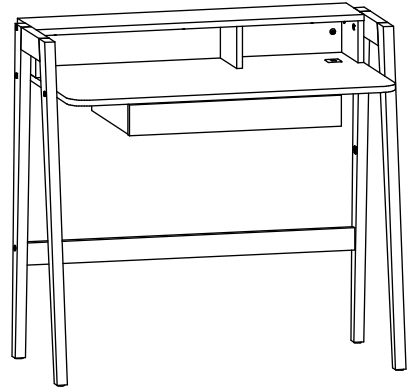
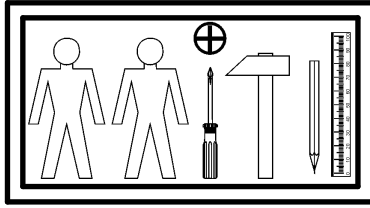
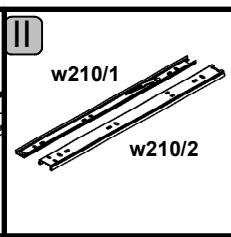
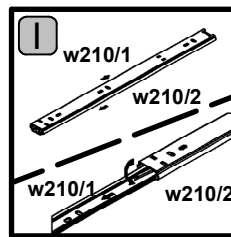
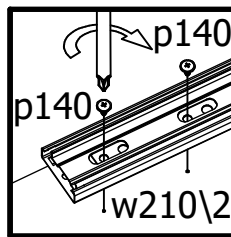
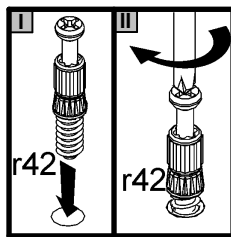
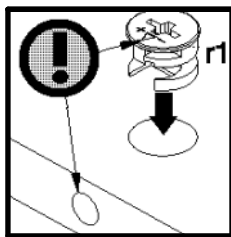
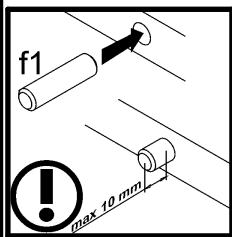
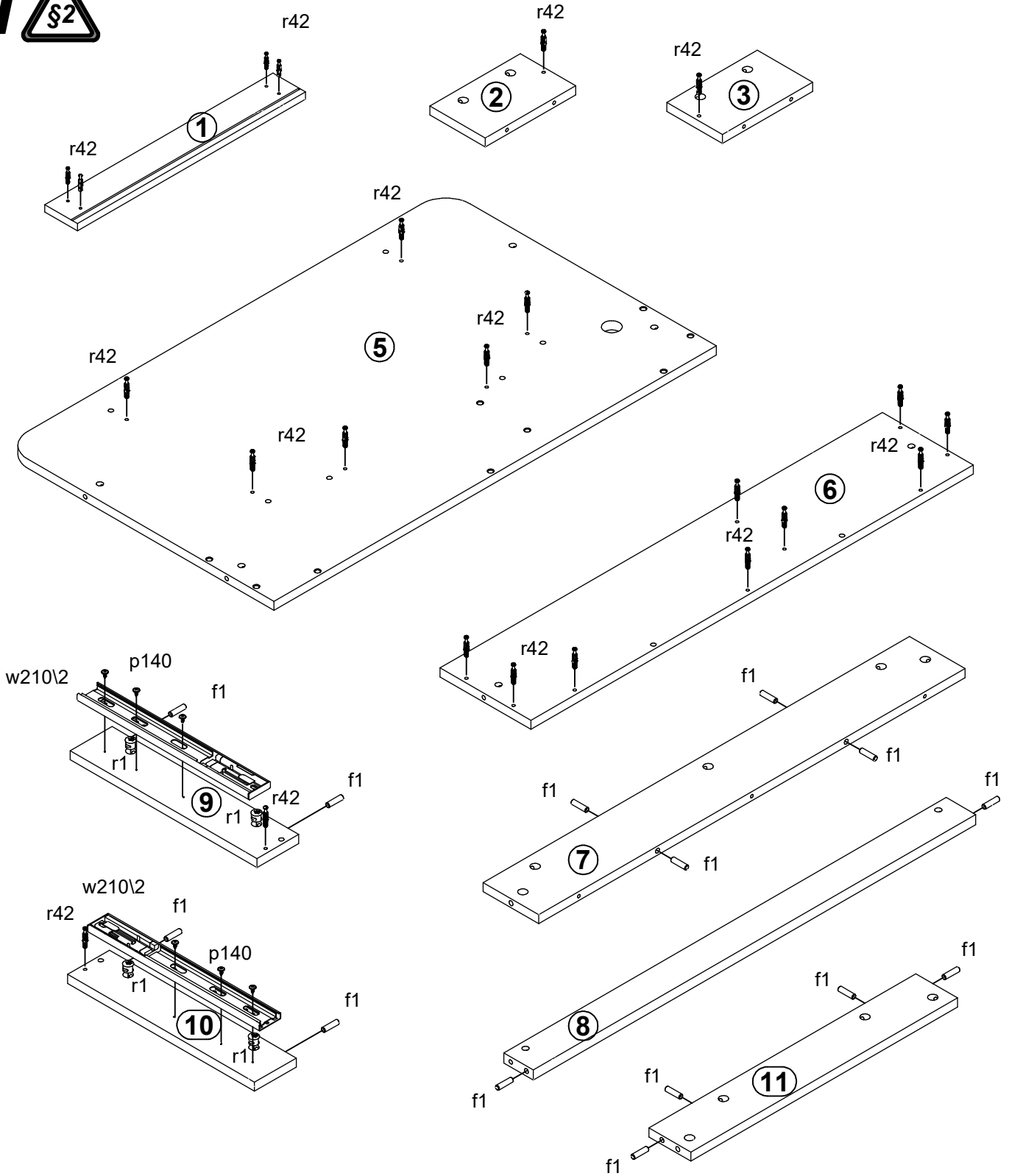


A	B	C		D
1	B12-0001	580	83	1/1
2	B12-1001	113	184	1/1
3	B12-1002	113	184	1/1
4	B12-1003	113	167	1/1
5	B12-2001	900	550	1/1
6	B12-2002	900	185	1/1
7	B12-4001	867	113	1/1
8	B12-4002	900	60	1/1
9	B12-4003	380	85	1/1
10	B12-4004	380	85	1/1
11	B12-4005	543	85	1/1
12	B12-5001	900	458	1/1
13	B12-5002	900	458	1/1
14	B12-5301	493	62	1/1
15	B12-9001	503	357	1/1
16	ZK4-533	350	75	1/1
17	ZK4-534	350	75	1/1

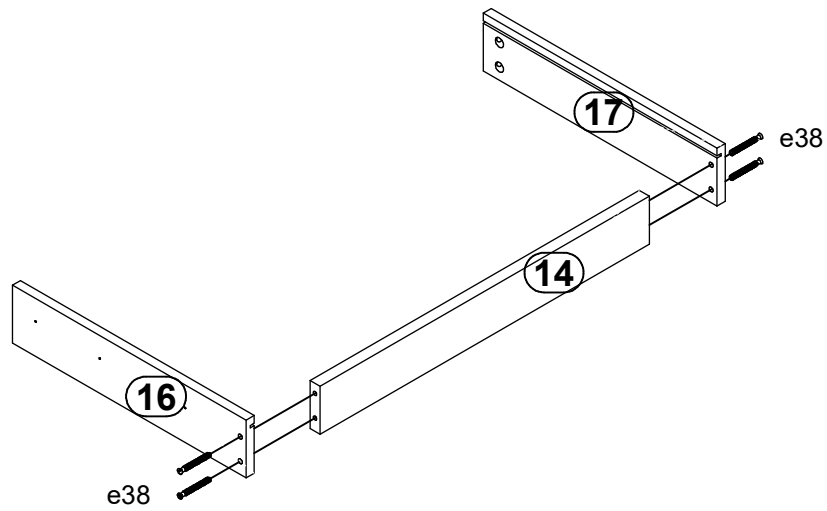


9x Ø7x50 mm e1	4x Ø6x45 mm e38	14x Ø8x30 mm f1	8x M6x70 mm j171	4x Ø20x3mm k103	1x 15W o70 8	1x 10x18 mm o83 4	1x o127 1	1x Ø3.5x16 mm p25
1x Ø3.5x10 mm p35	6x Ø3.5x16 mm p38	12x Ø3.5x12 mm p140	19x Ø15x12 mm #16 r1	8x Ø10x13 mm r5 1	4x Ø12x10.5 mm #12 r15	23x 20/11 r42	11x Ø 20mm s68	1x 350 mm t35
2x L-350 mm w210 1	2x L-350 mm w210 2	1x 4 mm z1						

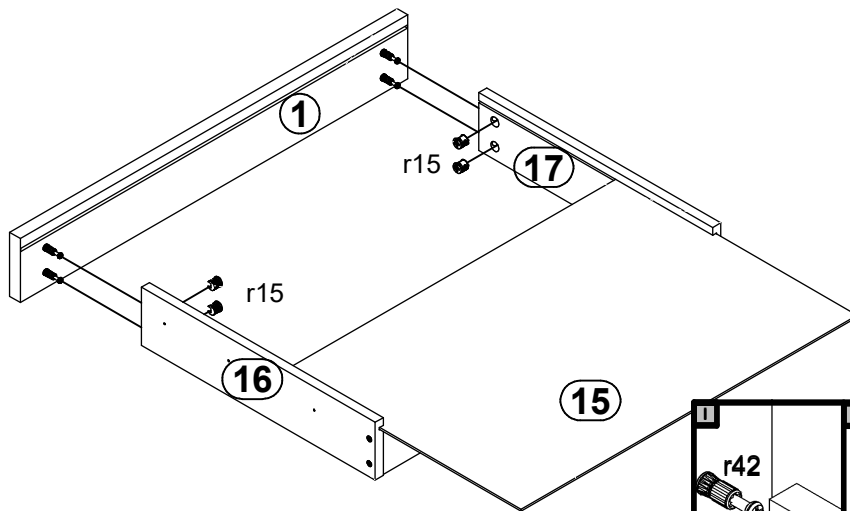
1 §2



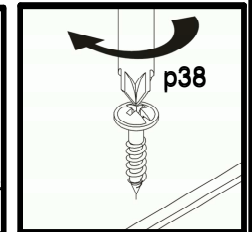
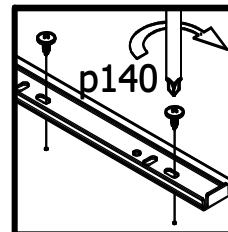
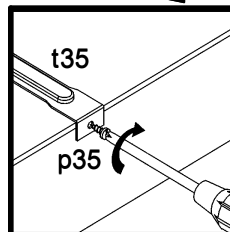
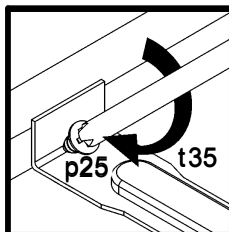
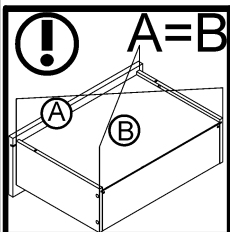
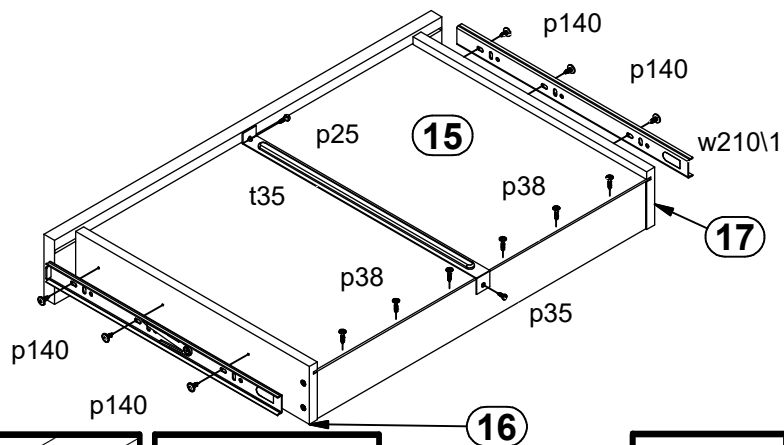
2



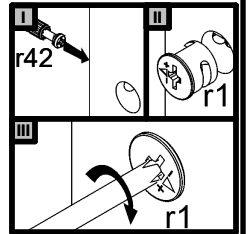
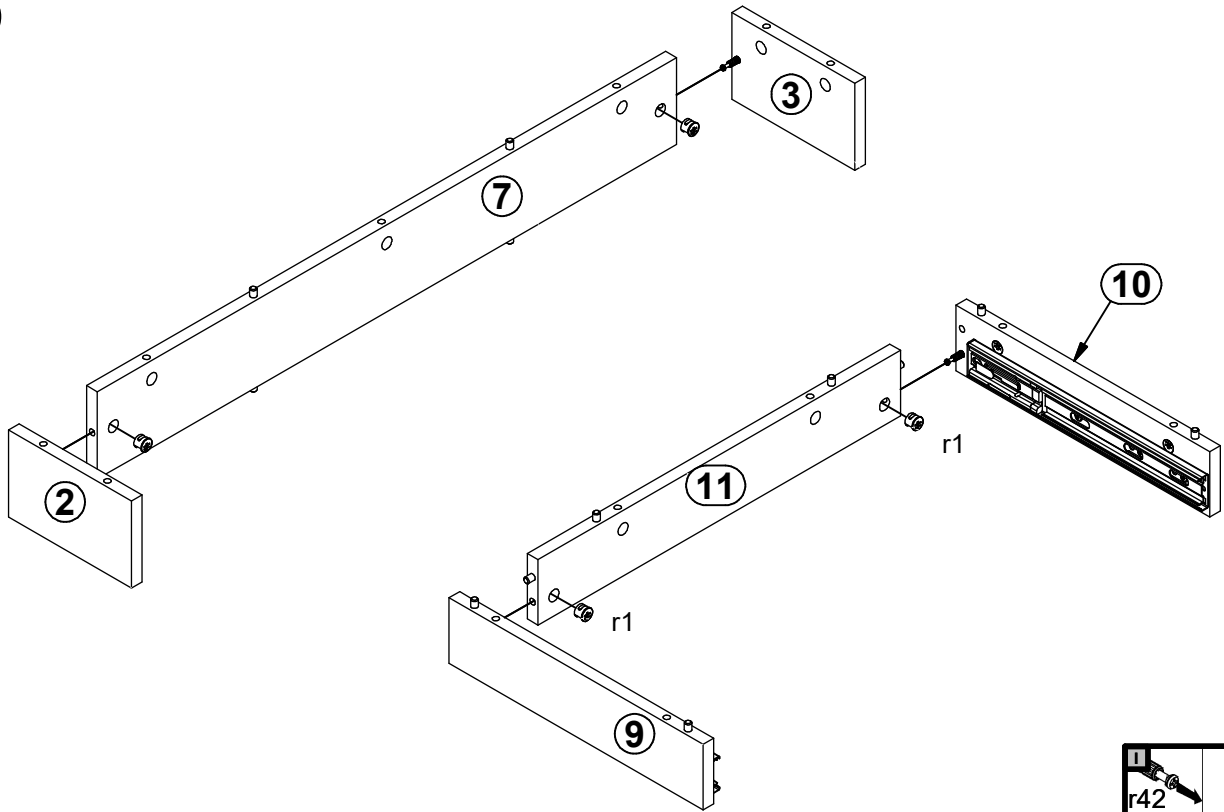
3



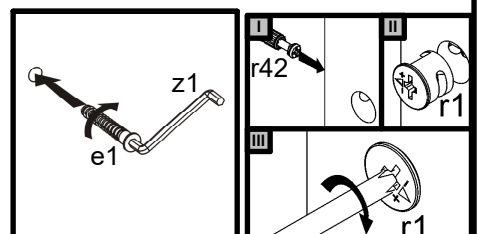
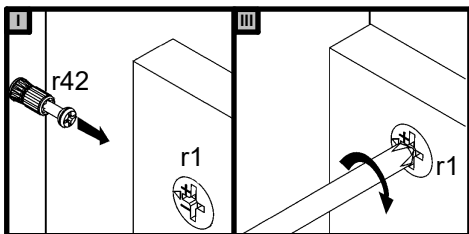
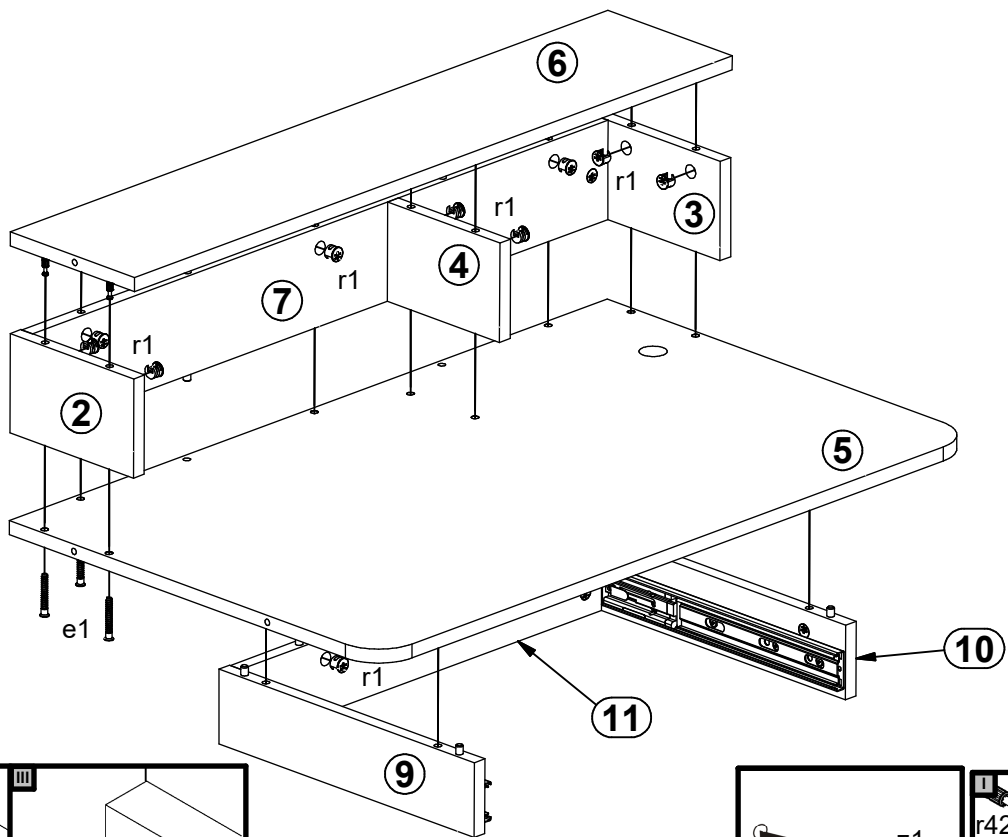
4



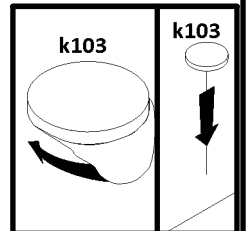
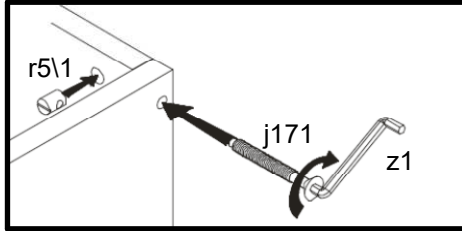
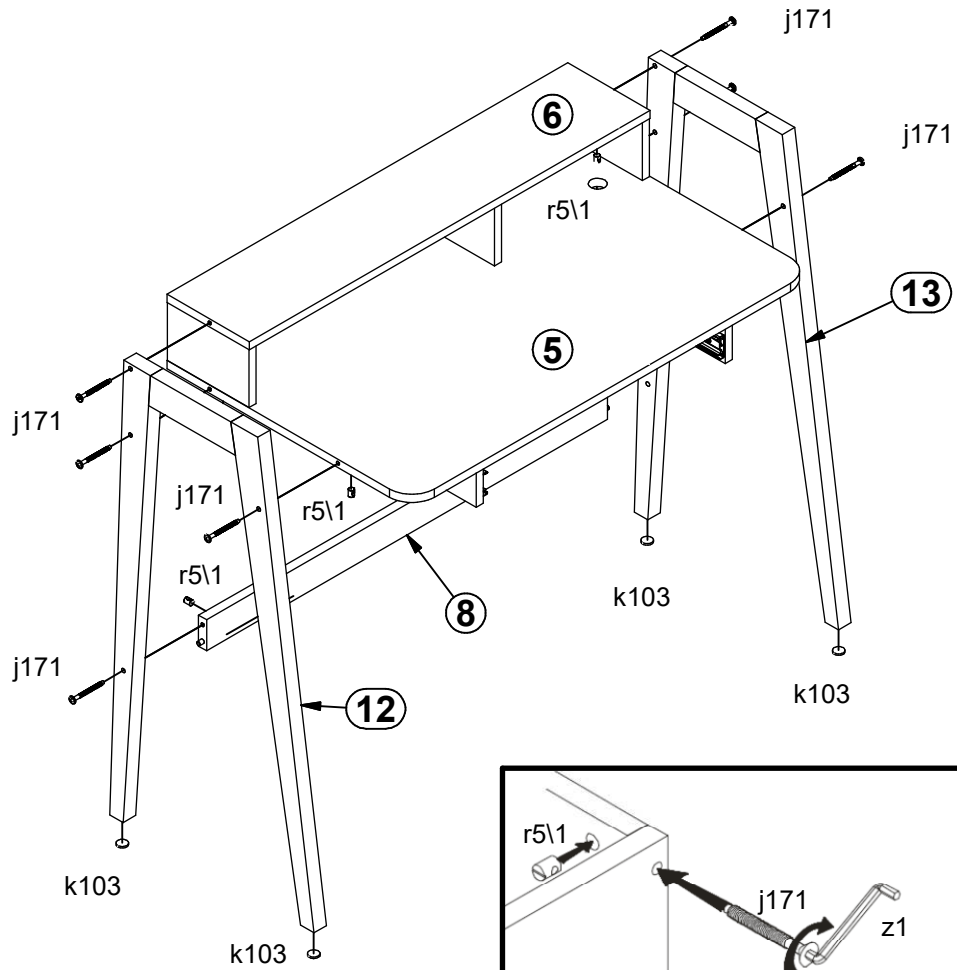
5



6



7



8

