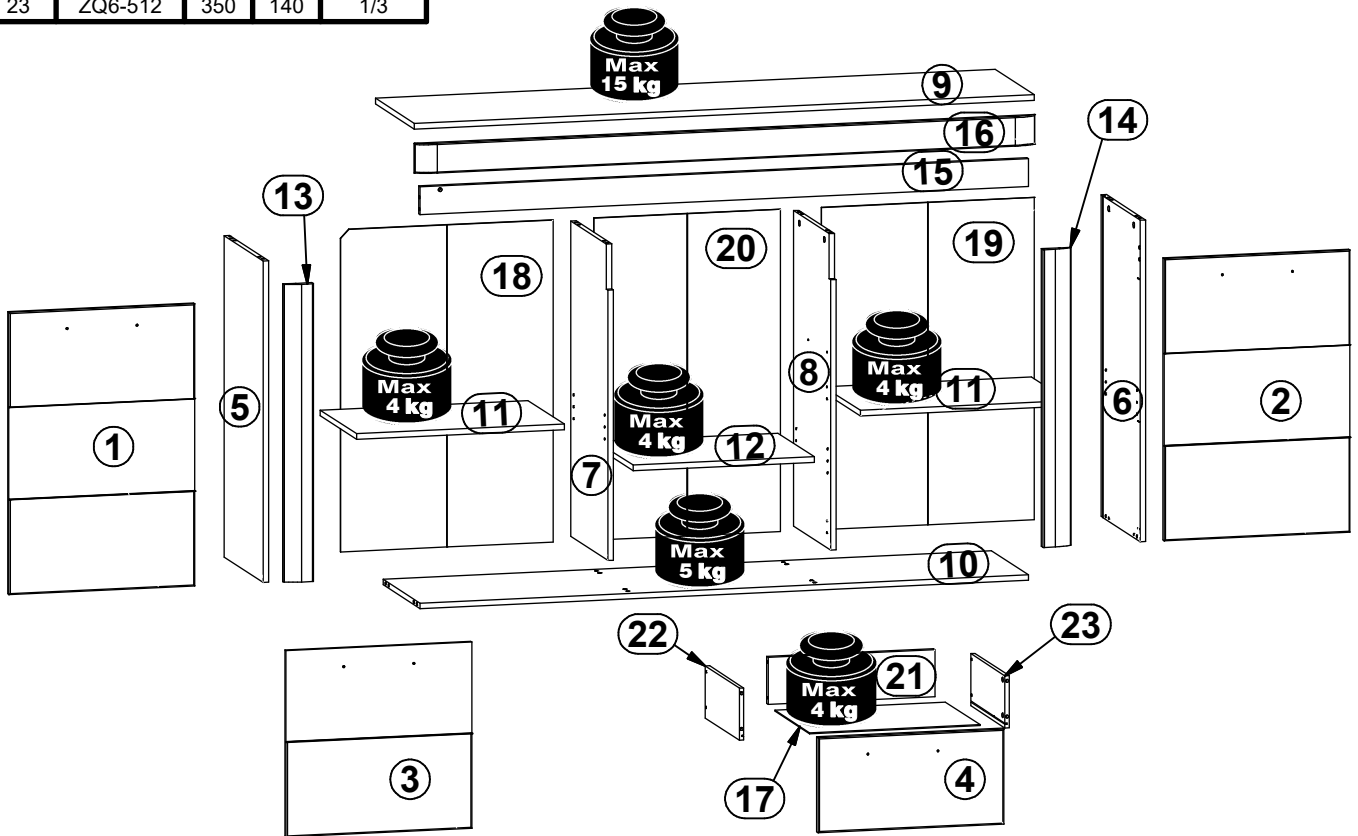
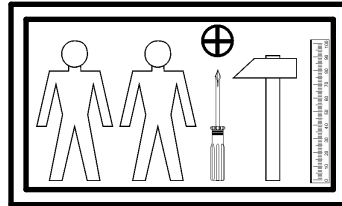
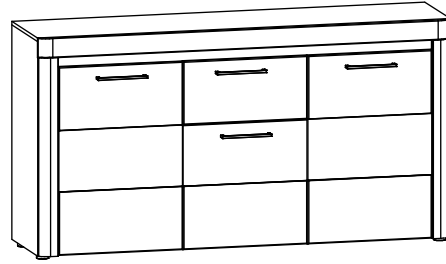
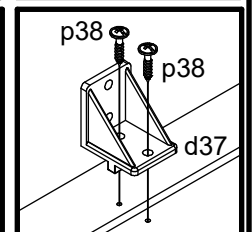
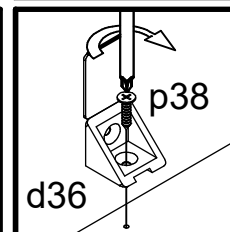
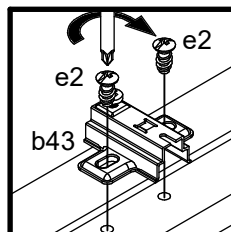
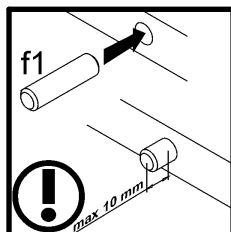
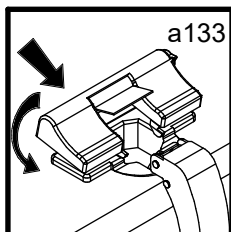
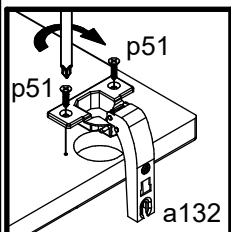
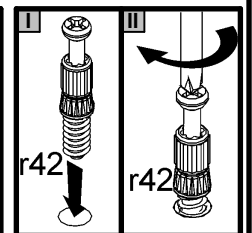
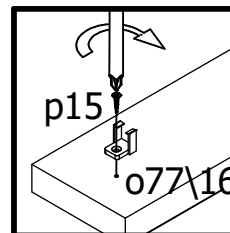
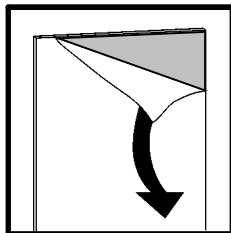
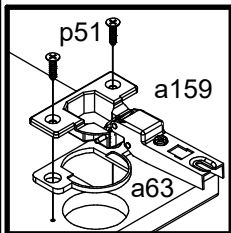
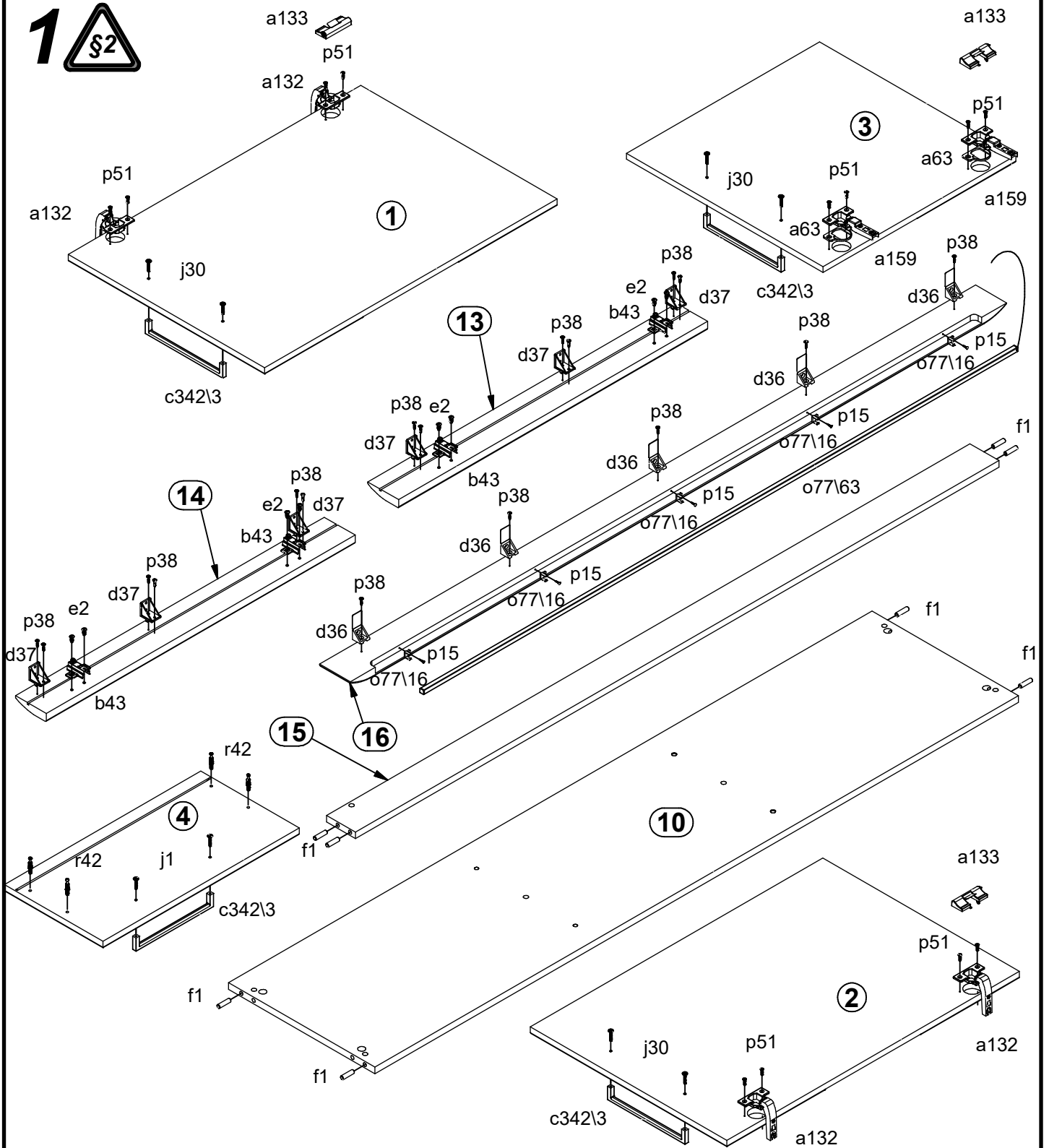


A	B	C		D
1	S488-0003	758	509	3/3
2	S488-0004	758	509	3/3
3	S488-0005	500	509	3/3
4	S488-0006	509	255	3/3
5	S488-1001	864	399	2/3
6	S488-1002	864	399	2/3
7	S488-1005	848	379	2/3
8	S488-1006	848	379	2/3
9	S488-2002	1698	399	1/3
10	S488-3003	1667	379	1/3
11	S488-3004	569	373	1/3
12	S488-3005	496	373	1/3
13	S488-5502	800	80	1/3
14	S488-5503	800	80	1/3
15	S488-5505	1667	75	1/3
16	S488-5506	1700	80	1/3
17	S488-9001	467	357	2/3
18	S488-9303	866	583	2/3
19	S488-9304	866	583	2/3
20	S488-9305	866	511	2/3
21	ZQ6-5017	457	127	1/3
22	ZQ6-511	350	140	1/3
23	ZQ6-512	350	140	1/3

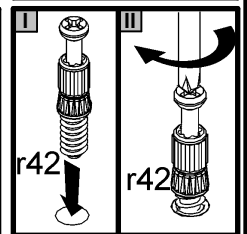
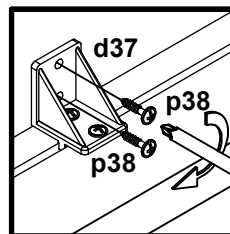
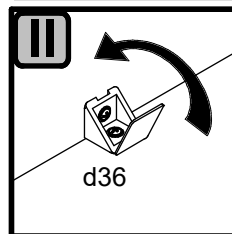
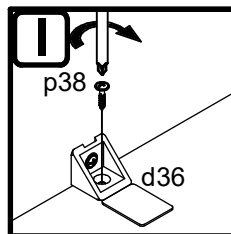
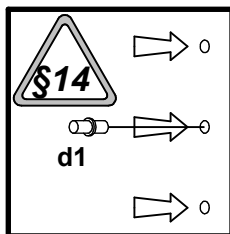
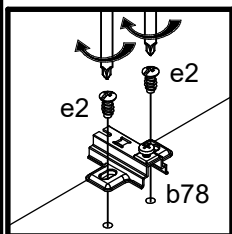
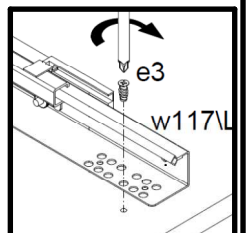
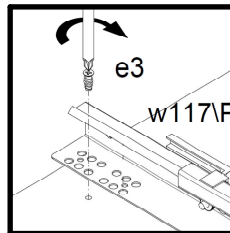
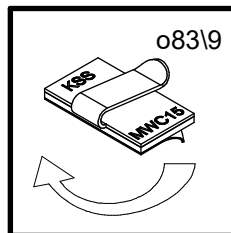
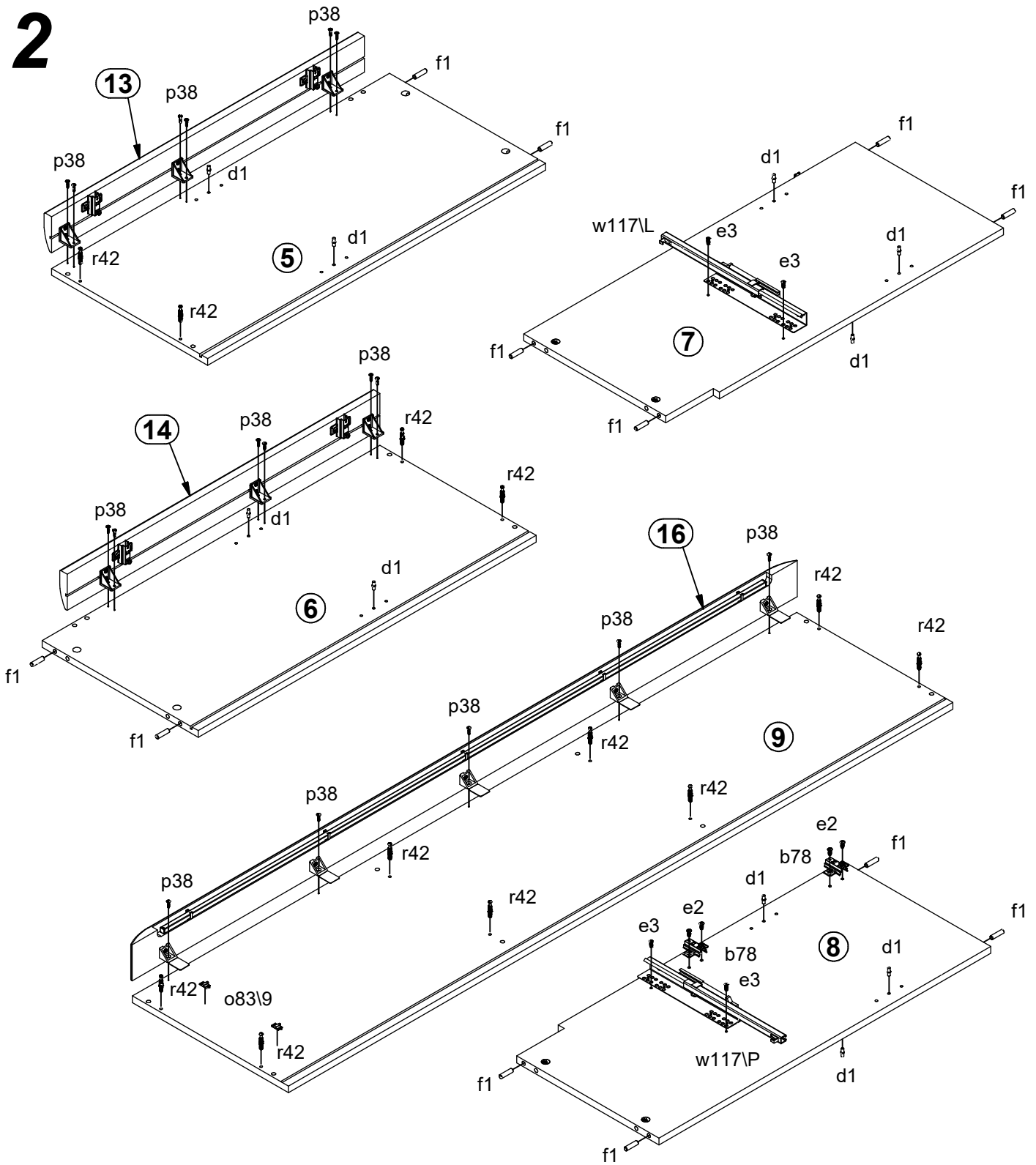


4x a132	3x a133	2x a159	4x b43	2x b78	4x c342/3	12x d1	5x d36	6x d37
4x e1	12x e2	4x e3	20x f1	4x f25	2x j1	6x j30	6x k27	10x l2
8x n108	1x o70/10	5x o77/16	1x o77/63	2x o83/9	5x p15	38x p38	12x p51	19x p55
12x r1	4x r15	16x r42	1x w117/L	1x w117/P	4x s68	1x z1	1x n26/1	2x a63

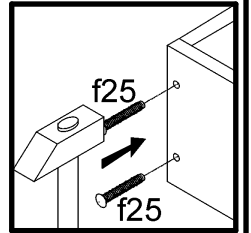
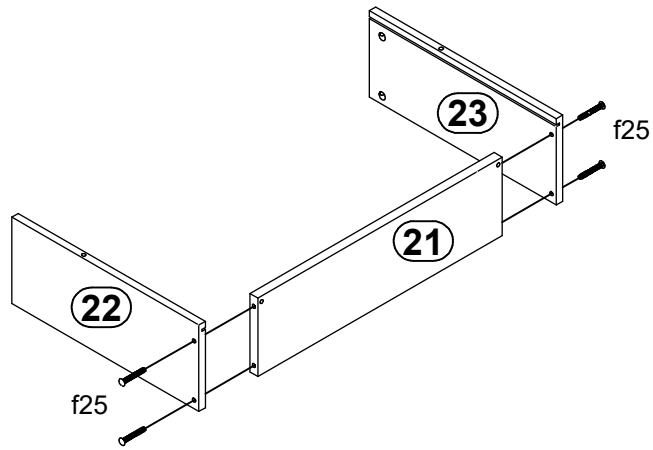
1



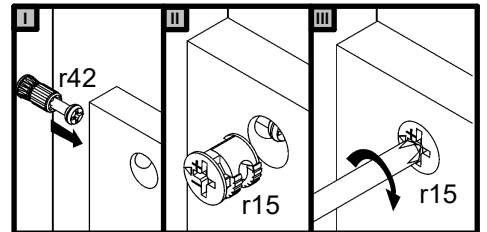
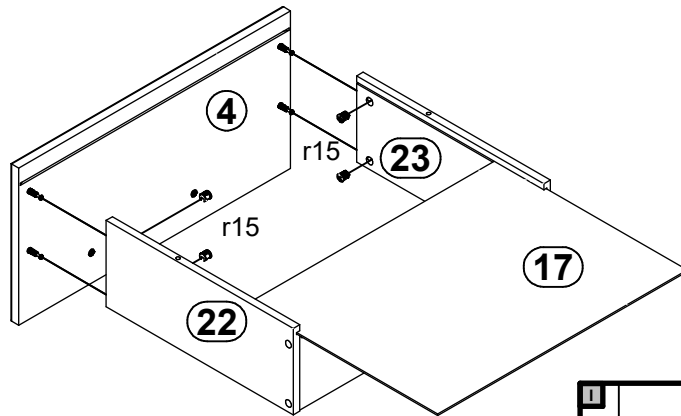
2



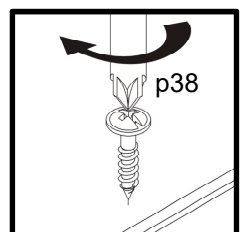
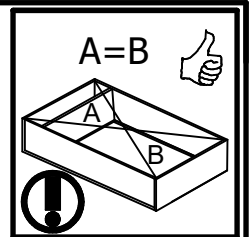
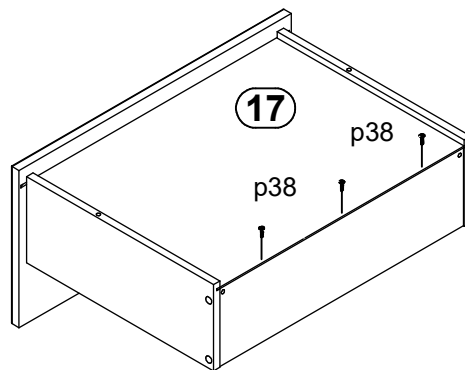
3



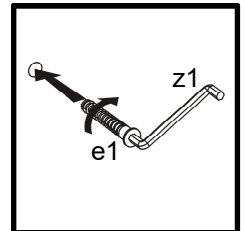
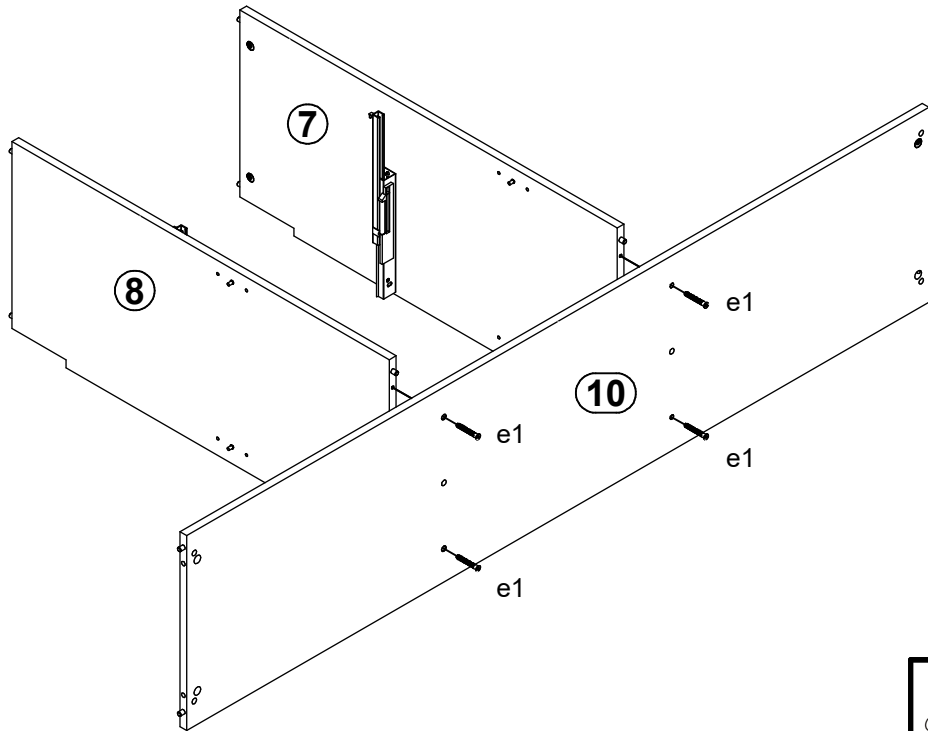
4



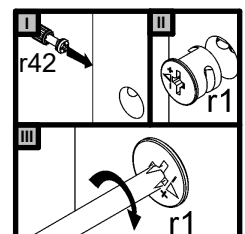
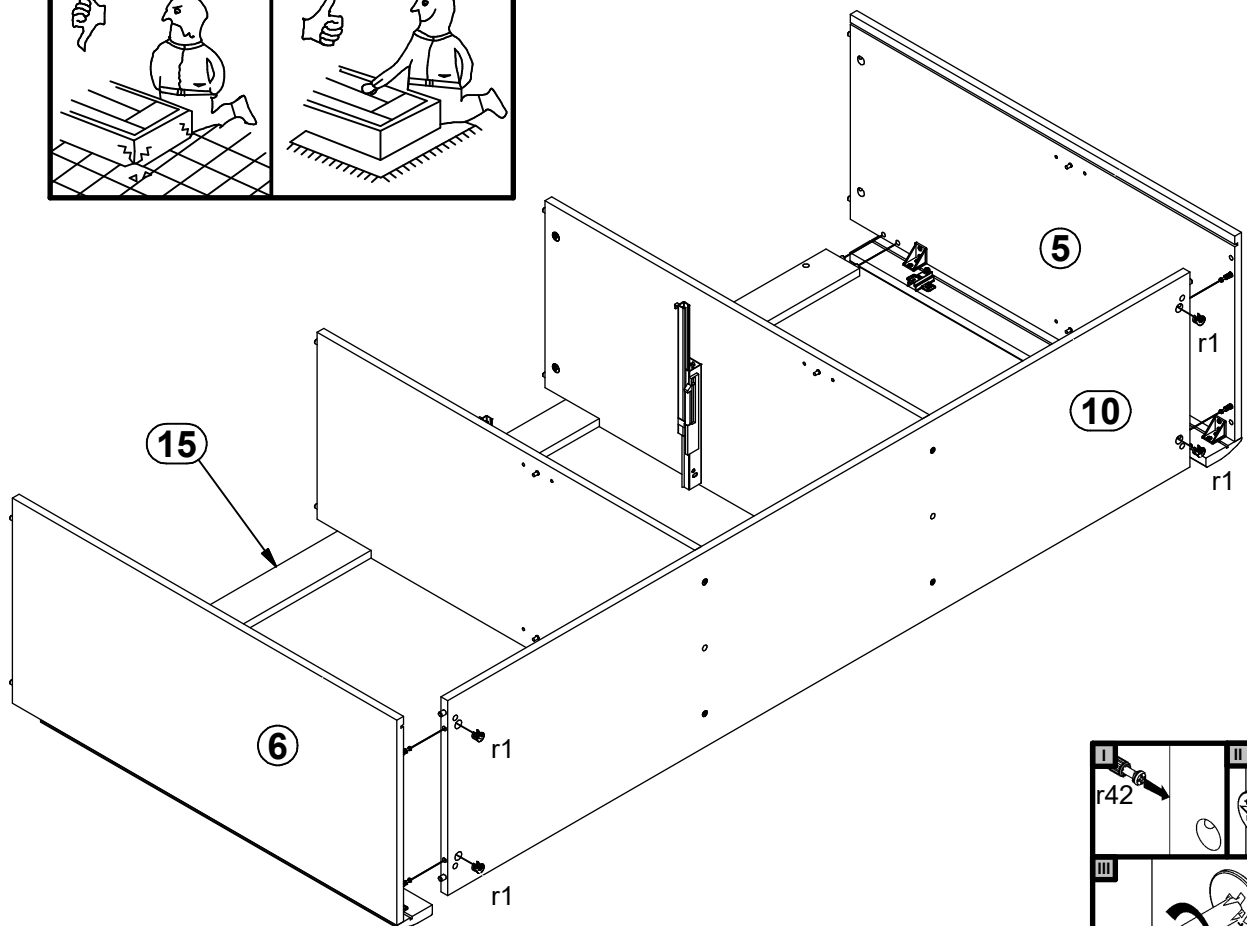
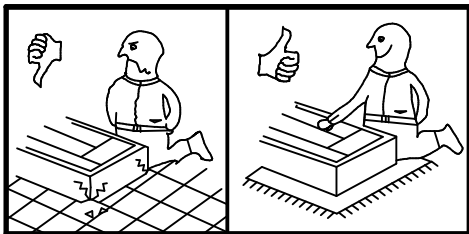
5



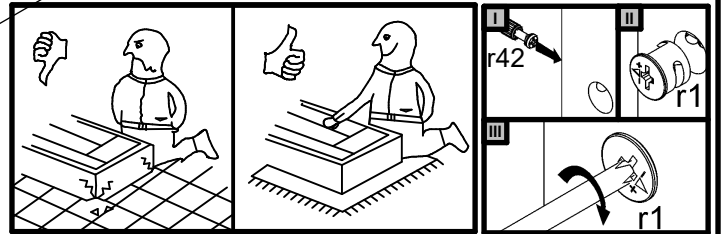
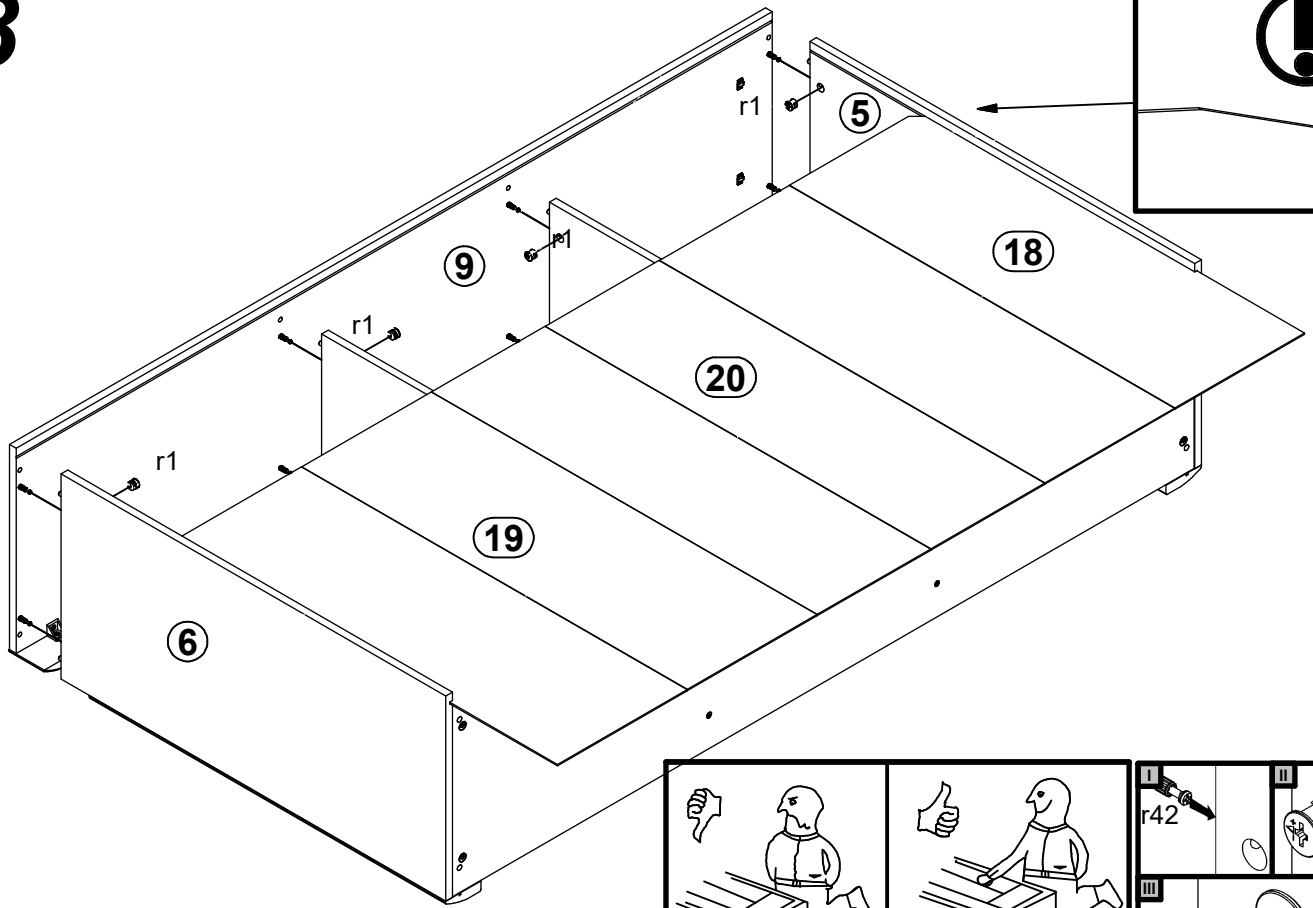
6



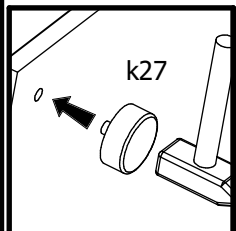
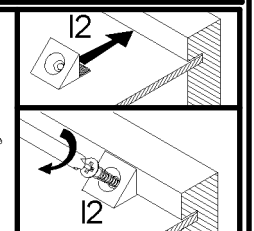
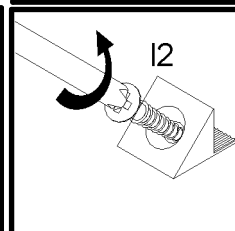
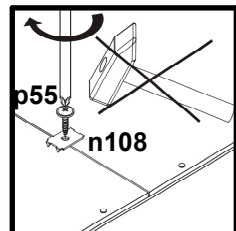
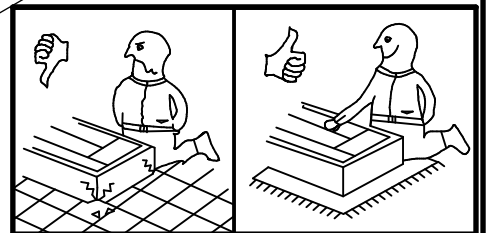
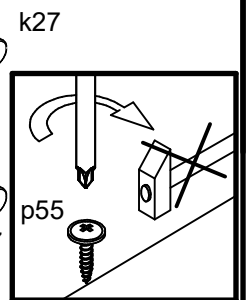
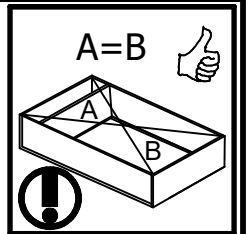
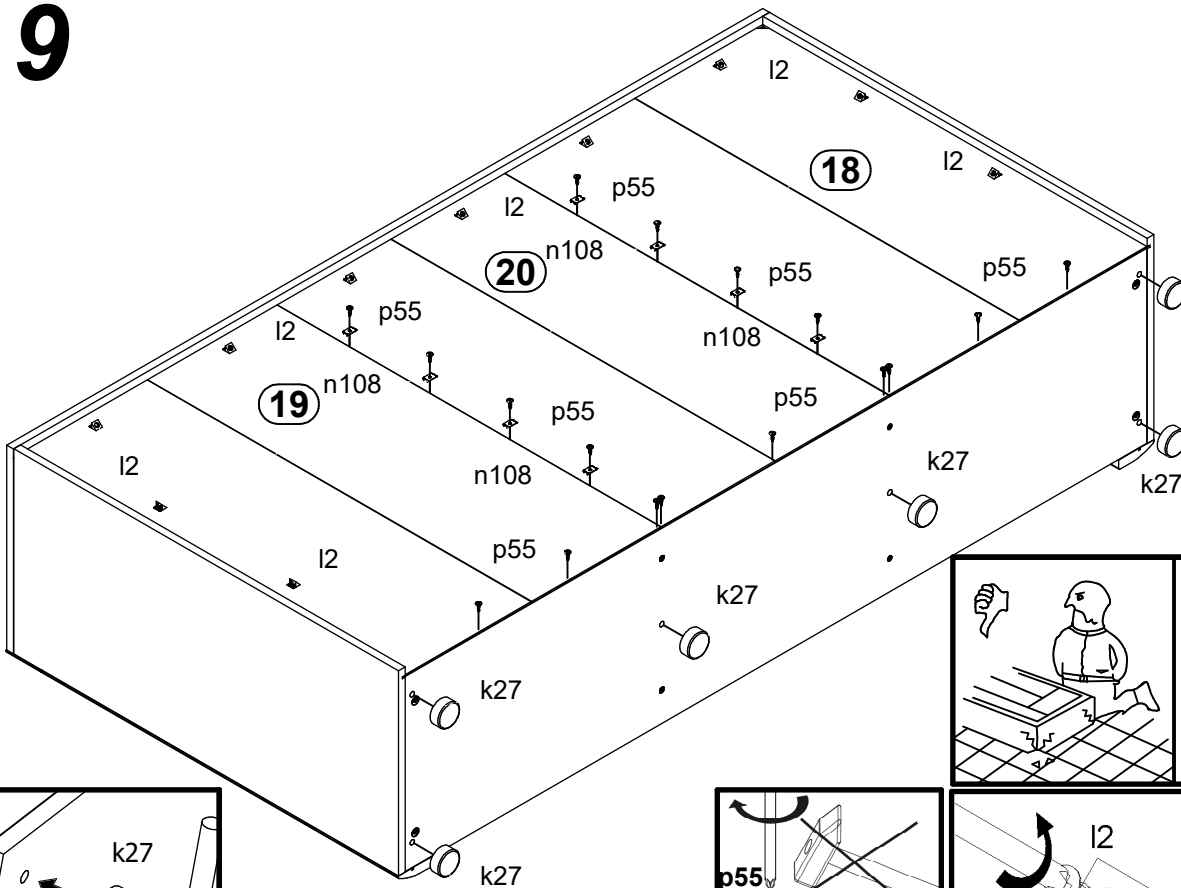
7



8



9



10

