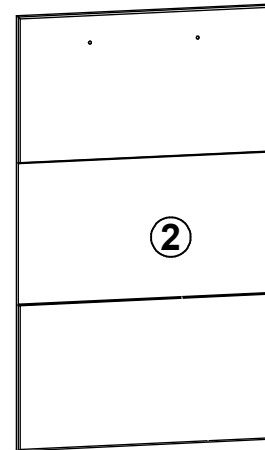
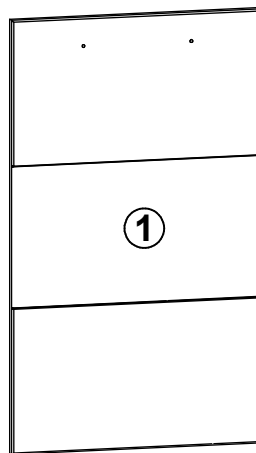
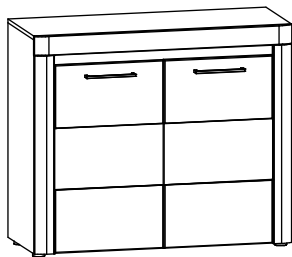
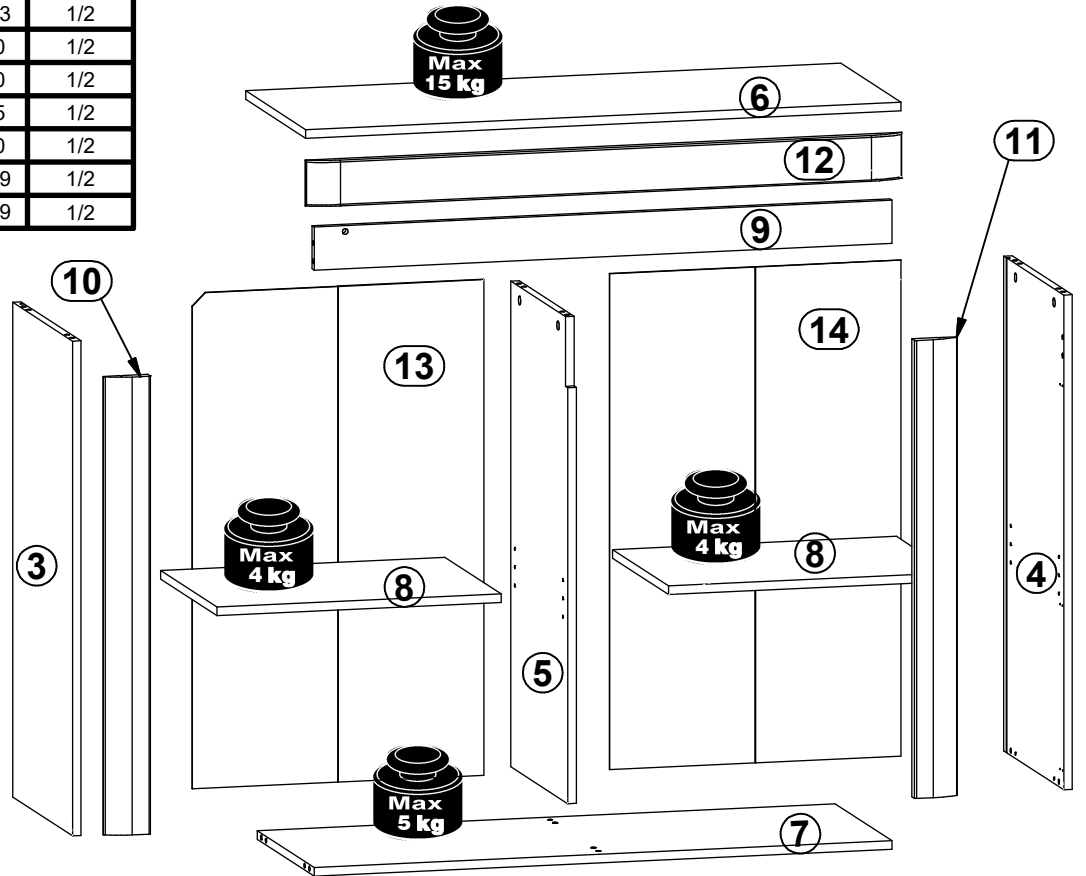
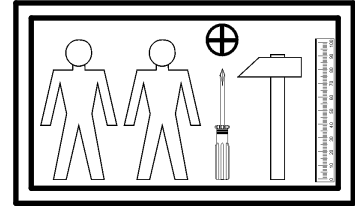
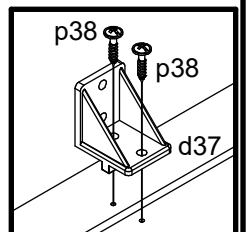
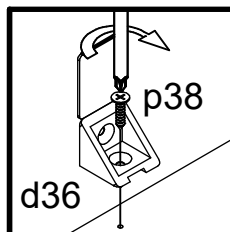
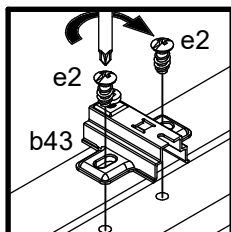
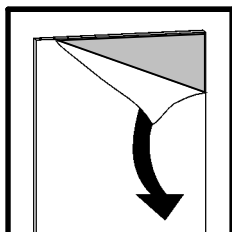
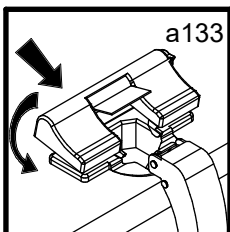
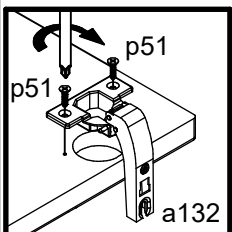
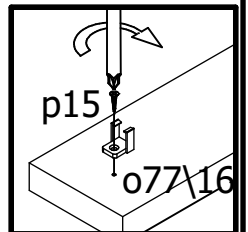
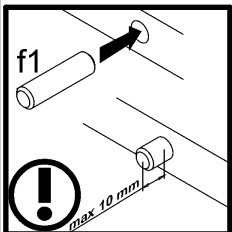
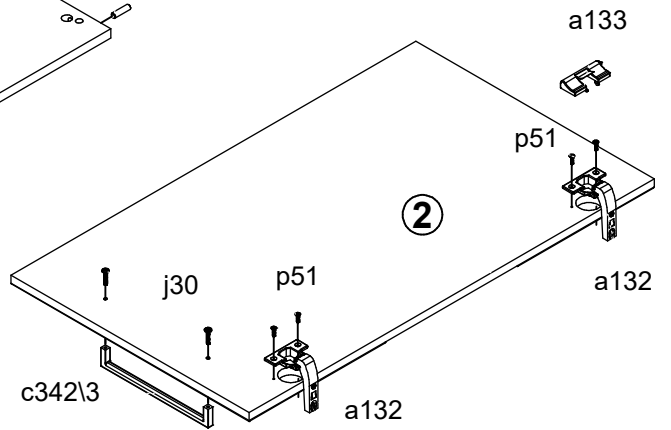
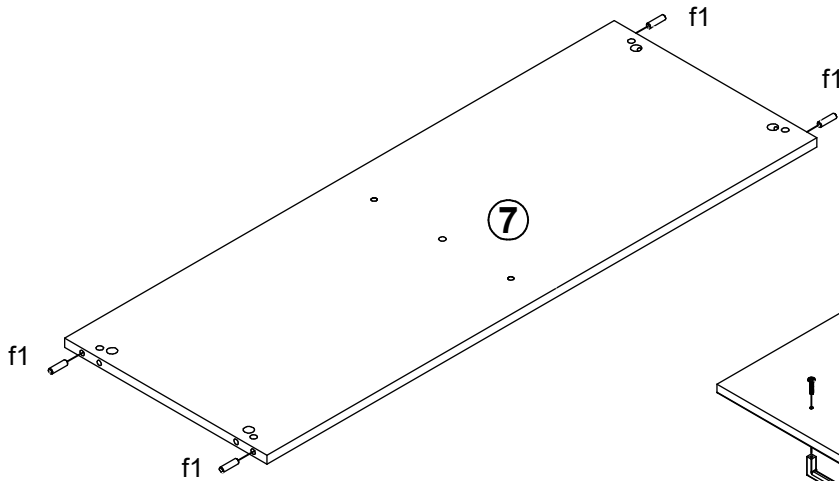
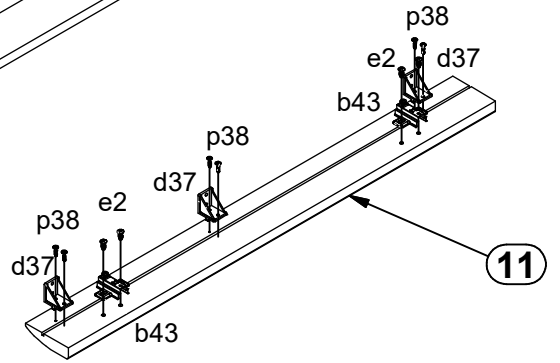
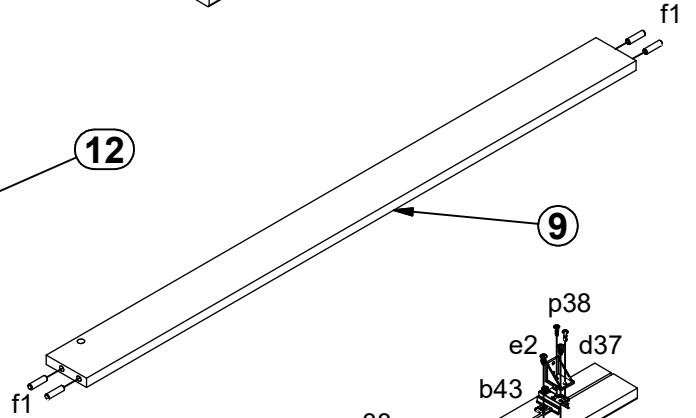
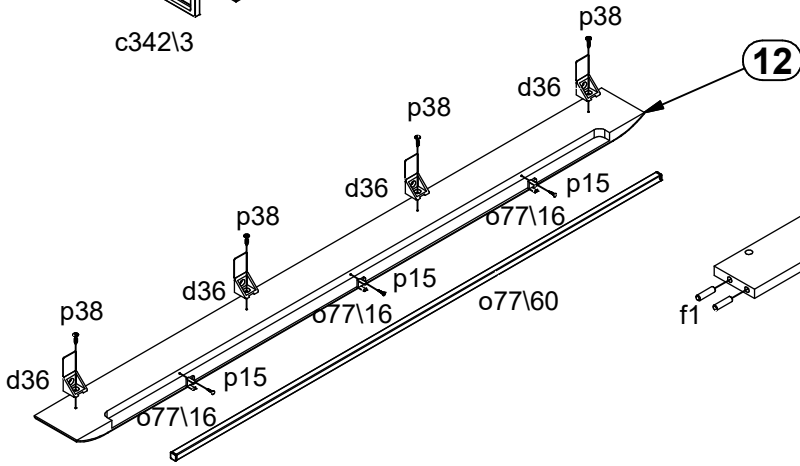
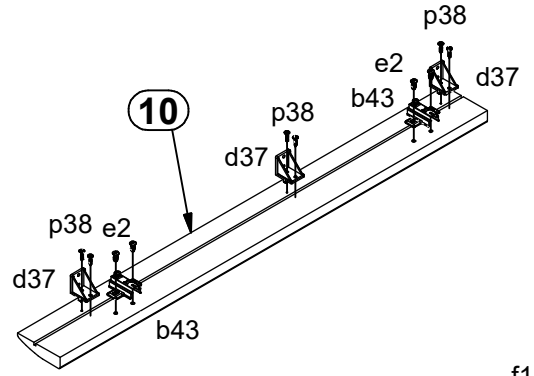
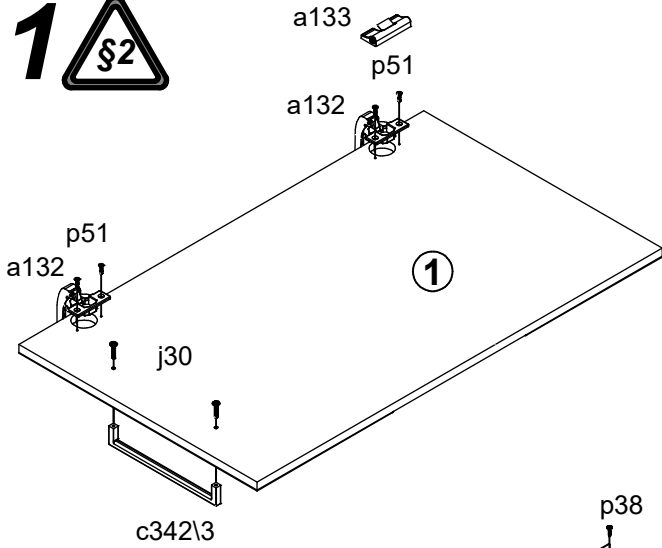


A	B	C	D
1	S488-0001	758	446 2/2
2	S488-0002	758	446 2/2
3	S488-1001	864	399 1/2
4	S488-1002	864	399 1/2
5	S488-1003	848	379 1/2
6	S488-2001	1060	399 1/2
7	S488-3001	1029	379 1/2
8	S488-3002	506	373 1/2
10	S488-5502	800	80 1/2
11	S488-5503	800	80 1/2
9	S488-5501	1029	75 1/2
12	S488-5504	1062	80 1/2
13	S488-9301	866	519 1/2
14	S488-9302	866	519 1/2

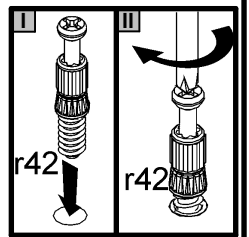
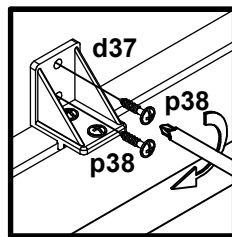
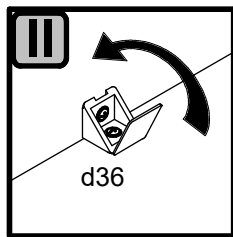
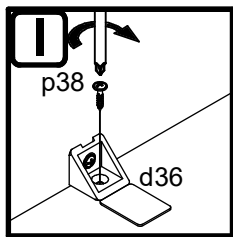
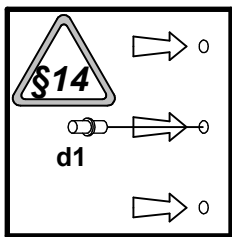
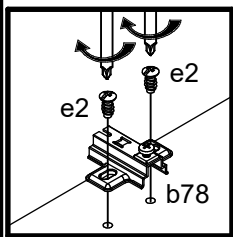
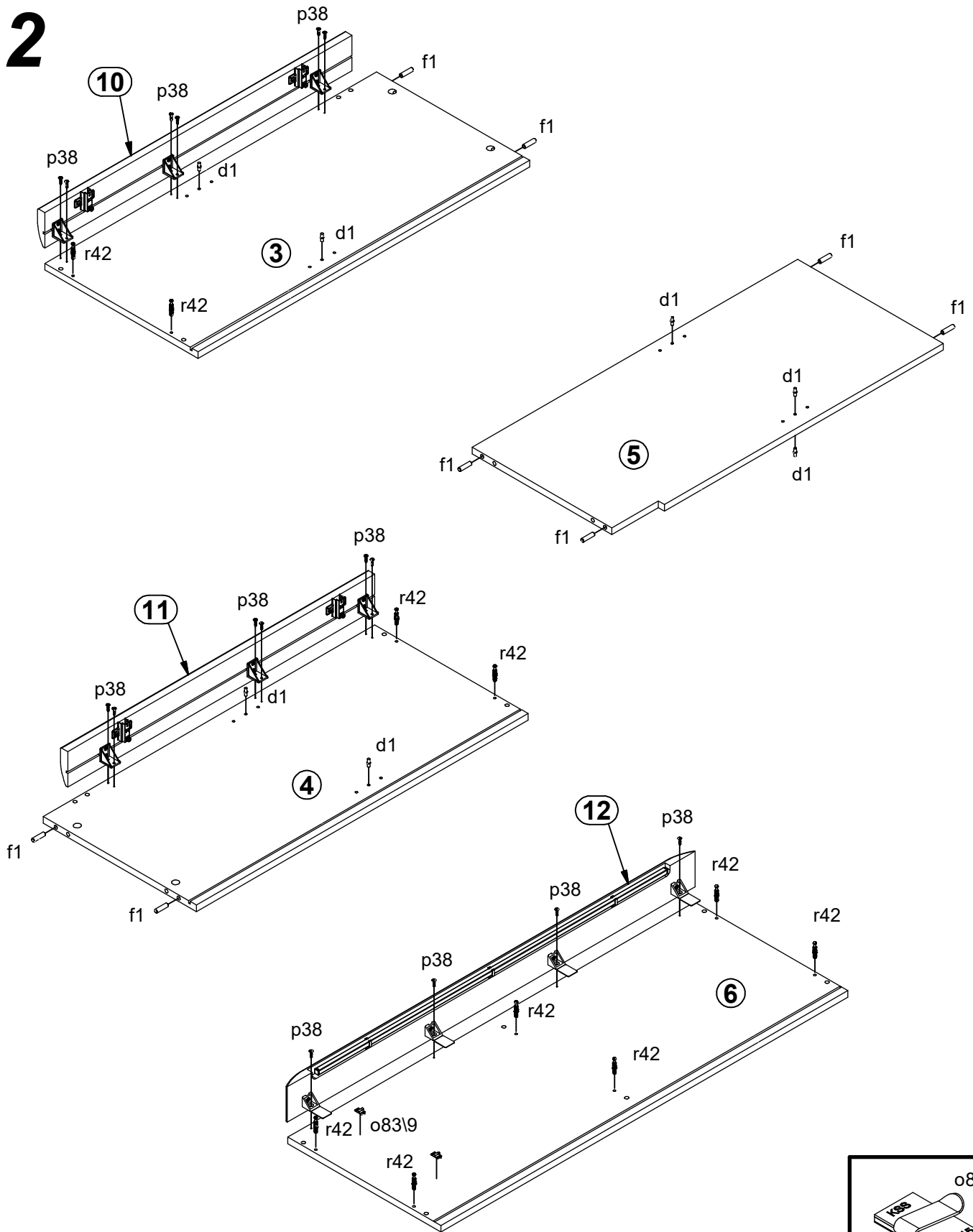


4x a132	2x a133	4x b43	2x c34213 192 mm	8x d1 Ø5x17 mm	4x d36	6x d37	2x e1 Ø7x50 mm	8x e2 Ø6.3x13 mm
16x f1 Ø8x30 mm	4x j30 M4x22 mm	5x k27	8x l2	4x n108 22x9.5x210.7 mm	1x o7019 2m 1P 6W	3x o7716	1x o77160 L=910 mm 10x10 mm	2x o8319 15x15 mm
3x p15 Ø2.5x13 mm	32x p38 Ø3.5x16 mm	8x p51 Ø3.5x15 mm	10x p55 Ø2.9x16 mm	10x r1 Ø15x12 mm #16	10x r42 20/11	6x s68 Ø 20mm	1x z1 4 mm	1x n2611
1x p38 Ø3.5x16 mm								

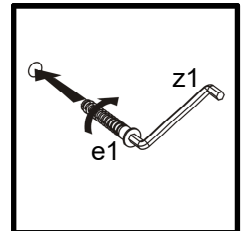
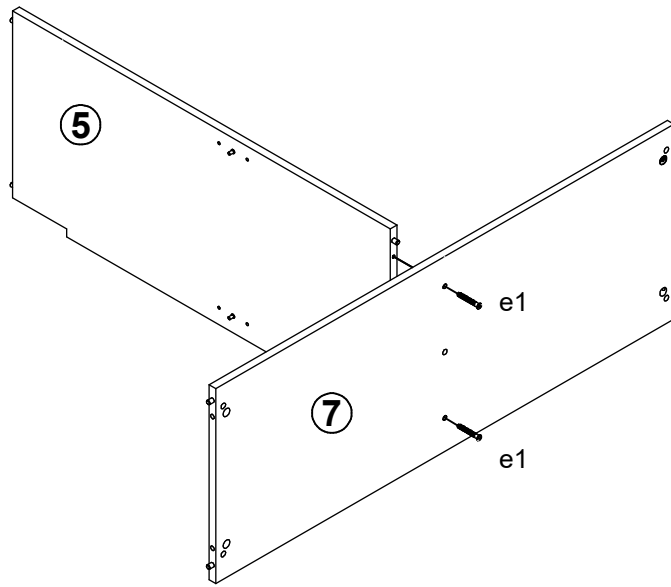
1 



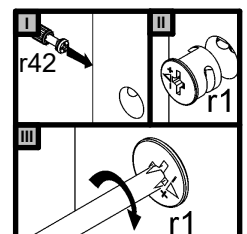
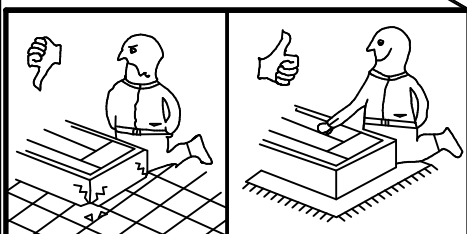
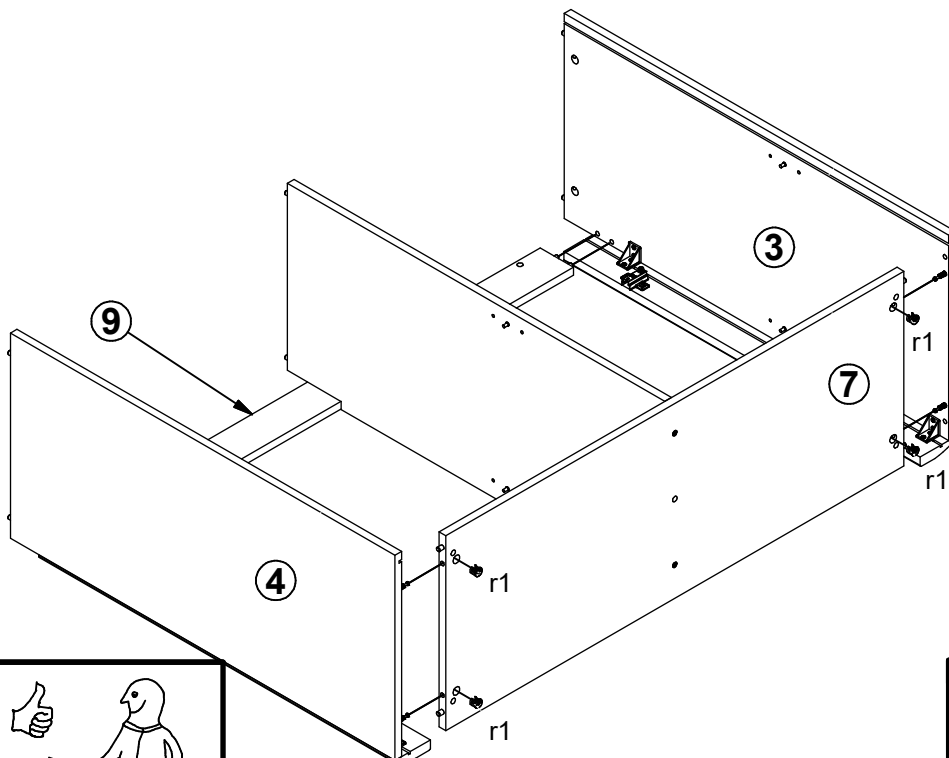
2



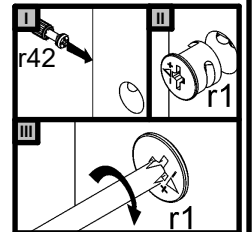
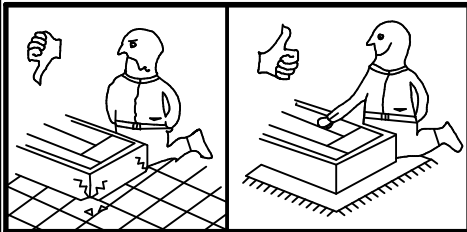
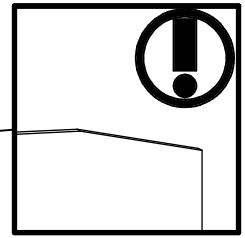
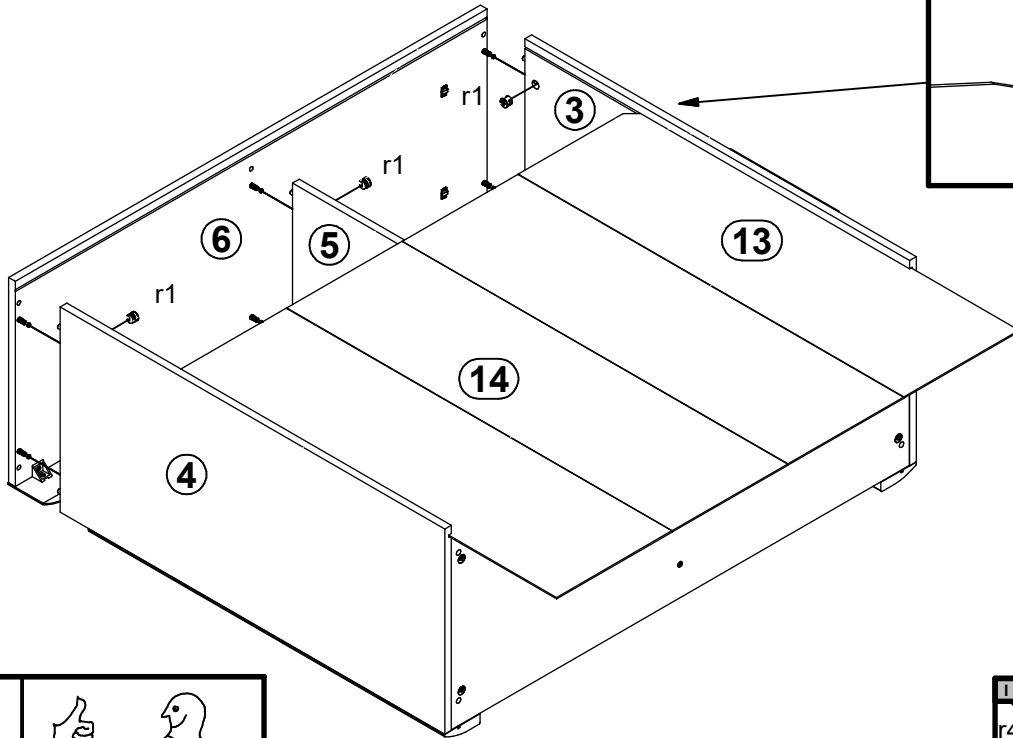
3



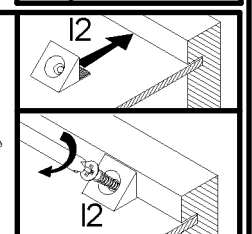
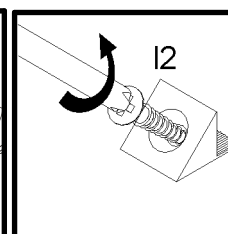
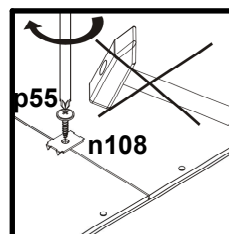
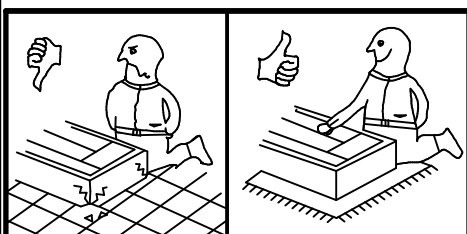
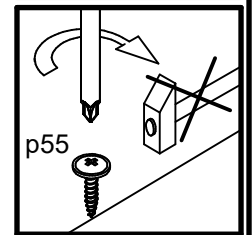
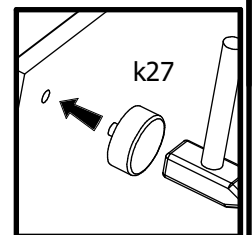
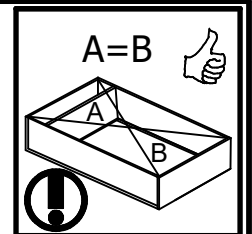
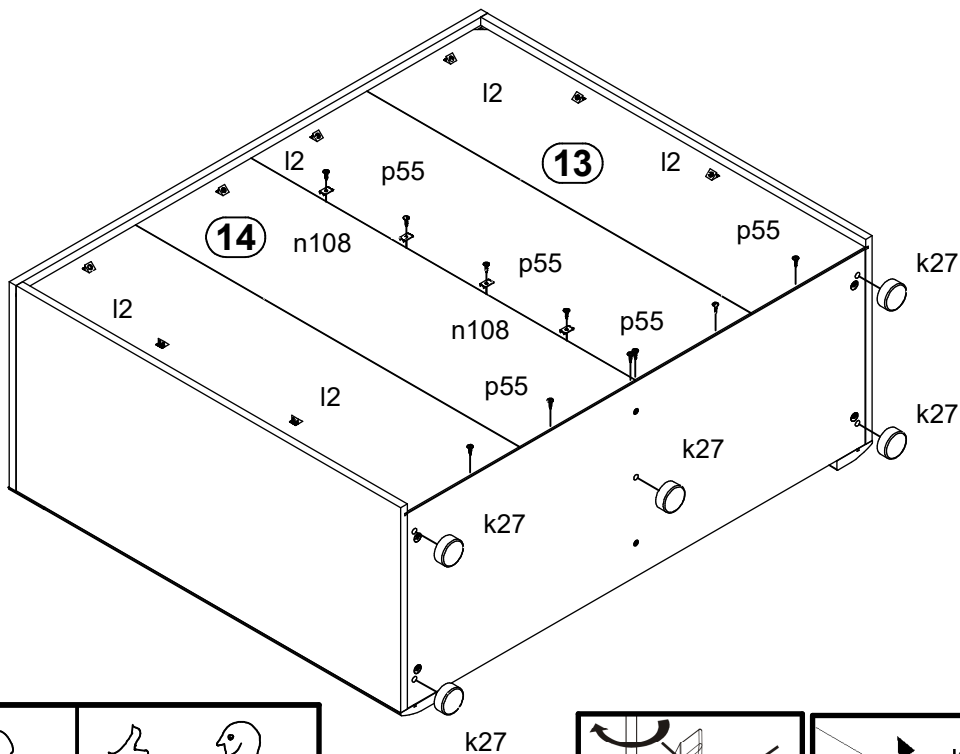
4



5



6



7

