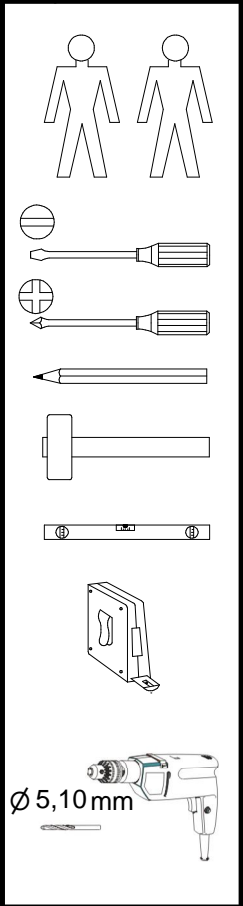


A	B	C (mm)		D
1	S228-011	596	487	2/2
2	S228-116	758	431	1/2
3	S228-117	758	431	1/2
4	S228-120	666,5	411	1/2
5	S228-207	1106	431	1/2
6	S228-323	1074	411	1/2
7	S228-324	528	400	1/2
8	S228-531	147	100	1/2
9	S228-5511	990	80	1/2
10	S228-5537	756	80	1/2
11	S228-5538	756	80	1/2
12	S228-5539	431	80	1/2
13	S228-5540	766	58	1/2
14	S228-5541	756	58	1/2
15	S228-5542	315	80	1/2
16	S228-5543	1151	80	1/2
17	S228-5544	1072	40	1/2
18	S228-9904	686	541	1/2
19	S228-9905	686	541	1/2

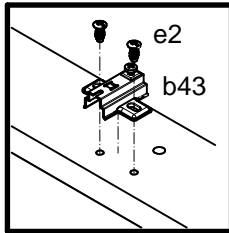
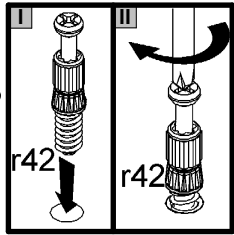


cm

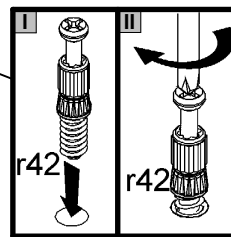
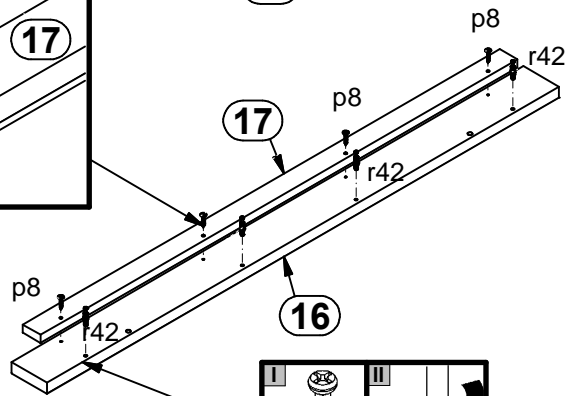
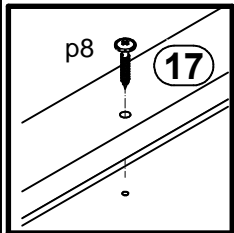
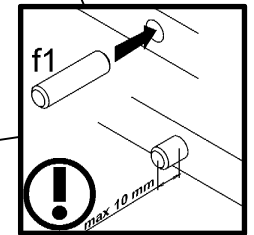
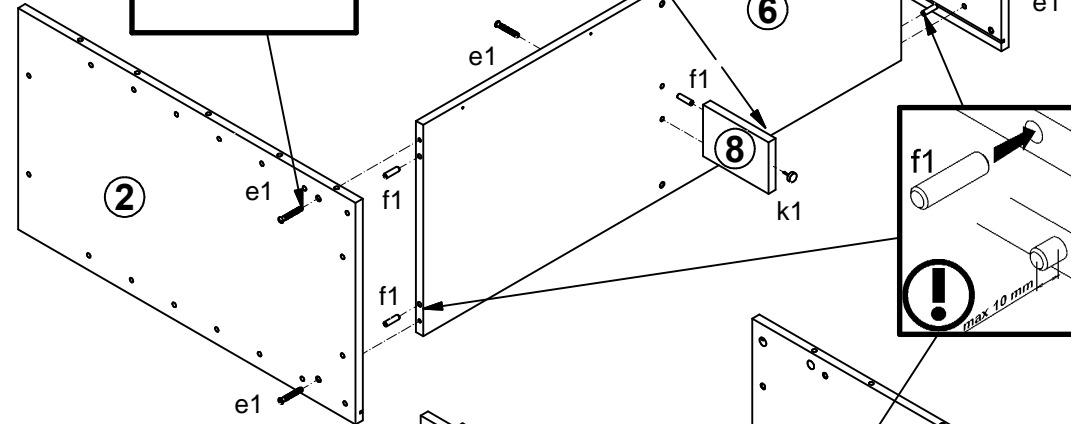
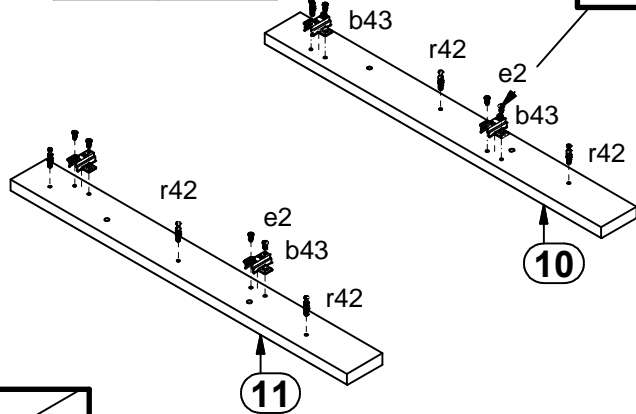
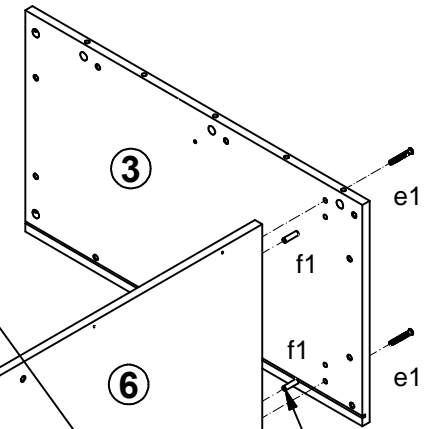
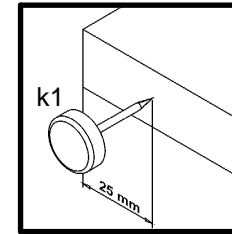
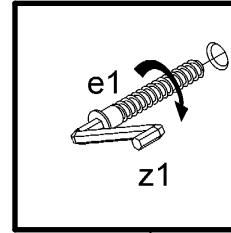
Hardware components list:

- 2x a133
- 4x a132
- 4x b43
- 2x c280 (192 mm)
- 8x d1 ($\varnothing 5 \times 17$ mm)
- 4x d36
- 7x e1 ($\varnothing 7 \times 50$ mm)
- 8x e2 ($\varnothing 6,3 \times 13$ mm)
- 20x e22 ($\varnothing 7 \times 28$ mm)
- 19x f1 ($\varnothing 8 \times 30$ mm)
- 16x f13 ($\varnothing 8 \times 20$ mm)
- 4x j30 (M4x22 mm)
- 7x k1
- 2x k101
- 12x l1
- 14x l2
- 16x p51 ($\varnothing 3,5 \times 15$ mm)
- 4x p79 ($\varnothing 3,5 \times 20$ mm)
- 4x p8 ($\varnothing 4 \times 25$ mm)
- 16x r1 ($\varnothing 15 \times 12$ mm #16)
- 16x r42 (20/11)
- 1x n14/2 (86x21x151,5)
- 2x p38 ($\varnothing 3,5 \times 16$ mm)
- 1x p17 ($\varnothing 5 \times 60$ mm)
- 1x f35 ($\varnothing 10 \times 50$ mm)
- 1x z1
- 10x s2 ($\varnothing 16$)
- 12x s1
- 5x n108 (20x13x3,5)
- 5x p55 ($\varnothing 2,9 \times 16$ mm)

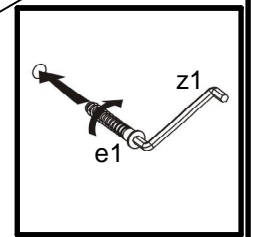
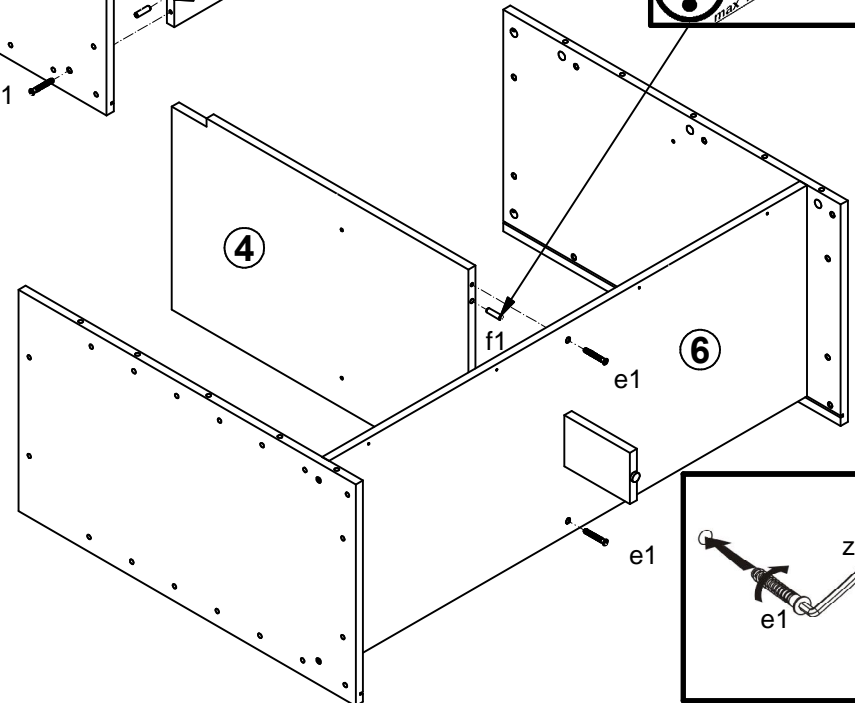
1  §2


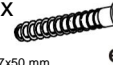

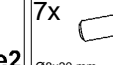
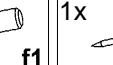
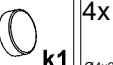



2  §6

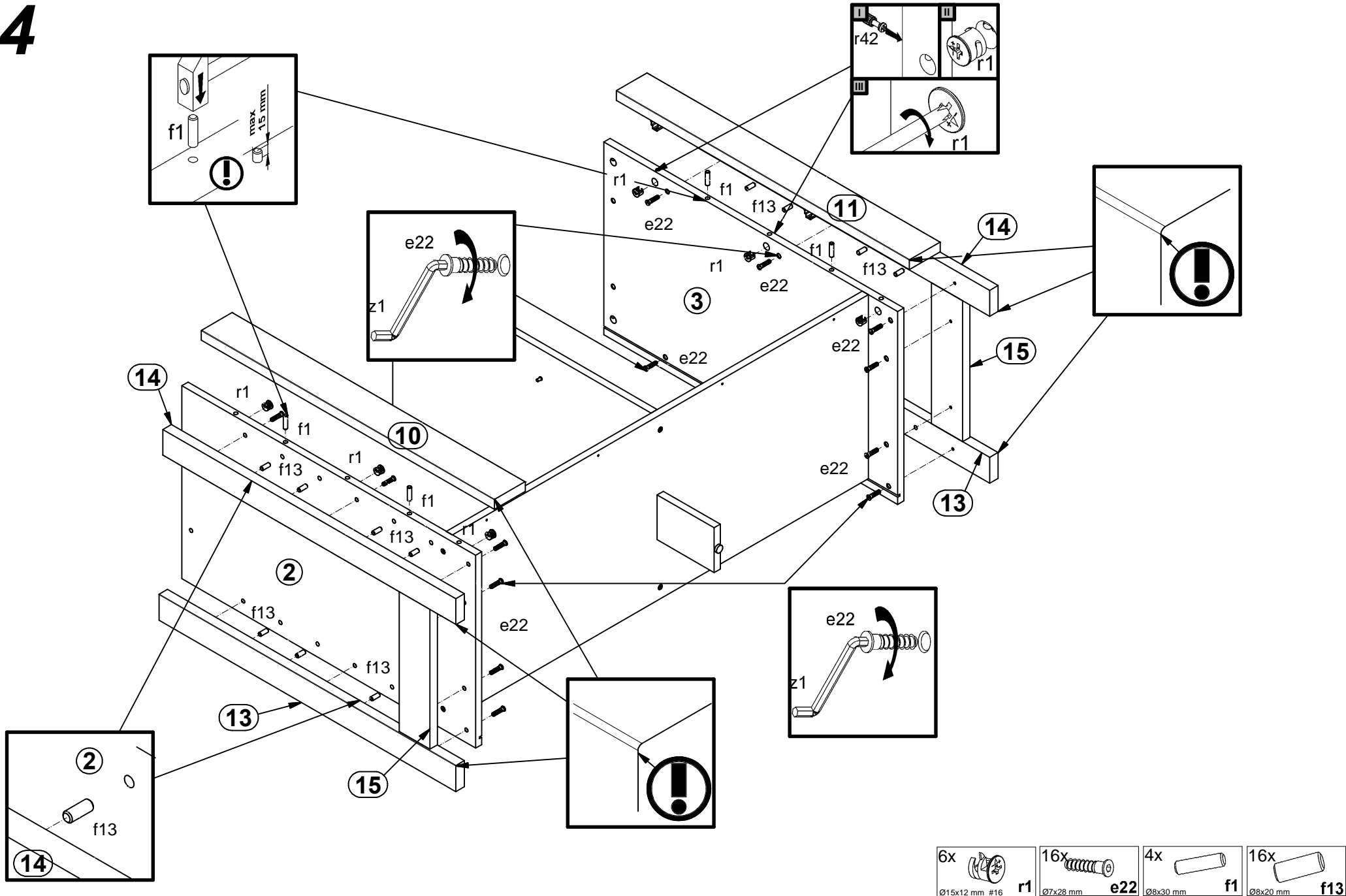



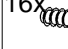

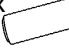
3



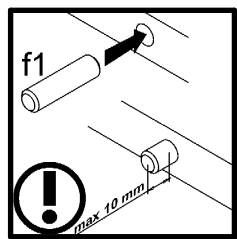
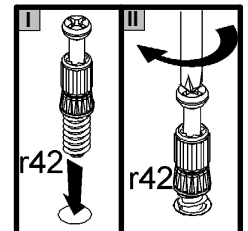
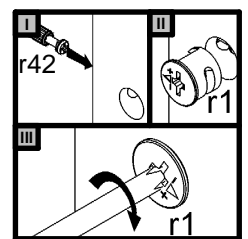
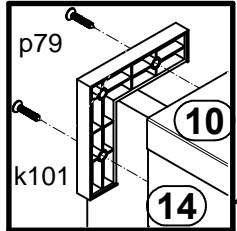
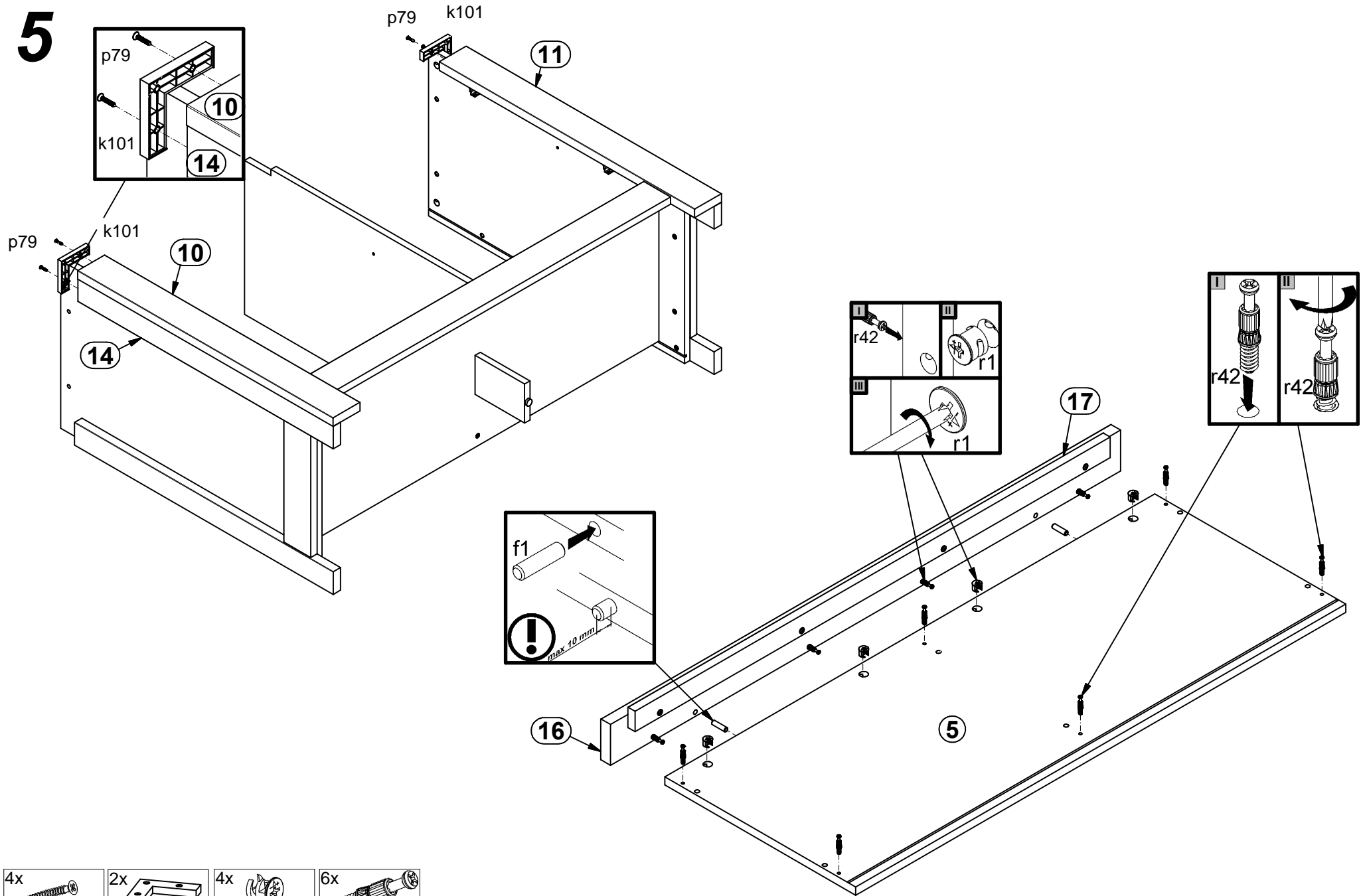
- 4x  b43
- 7x  e1 Ø7x50 mm
- 8x  e2 Ø6,3x13 mm
- 7x  f1 Ø8x30 mm
- 1x  k1
- 4x  p8 Ø4x25 mm
- 10x  r42 20/11

4



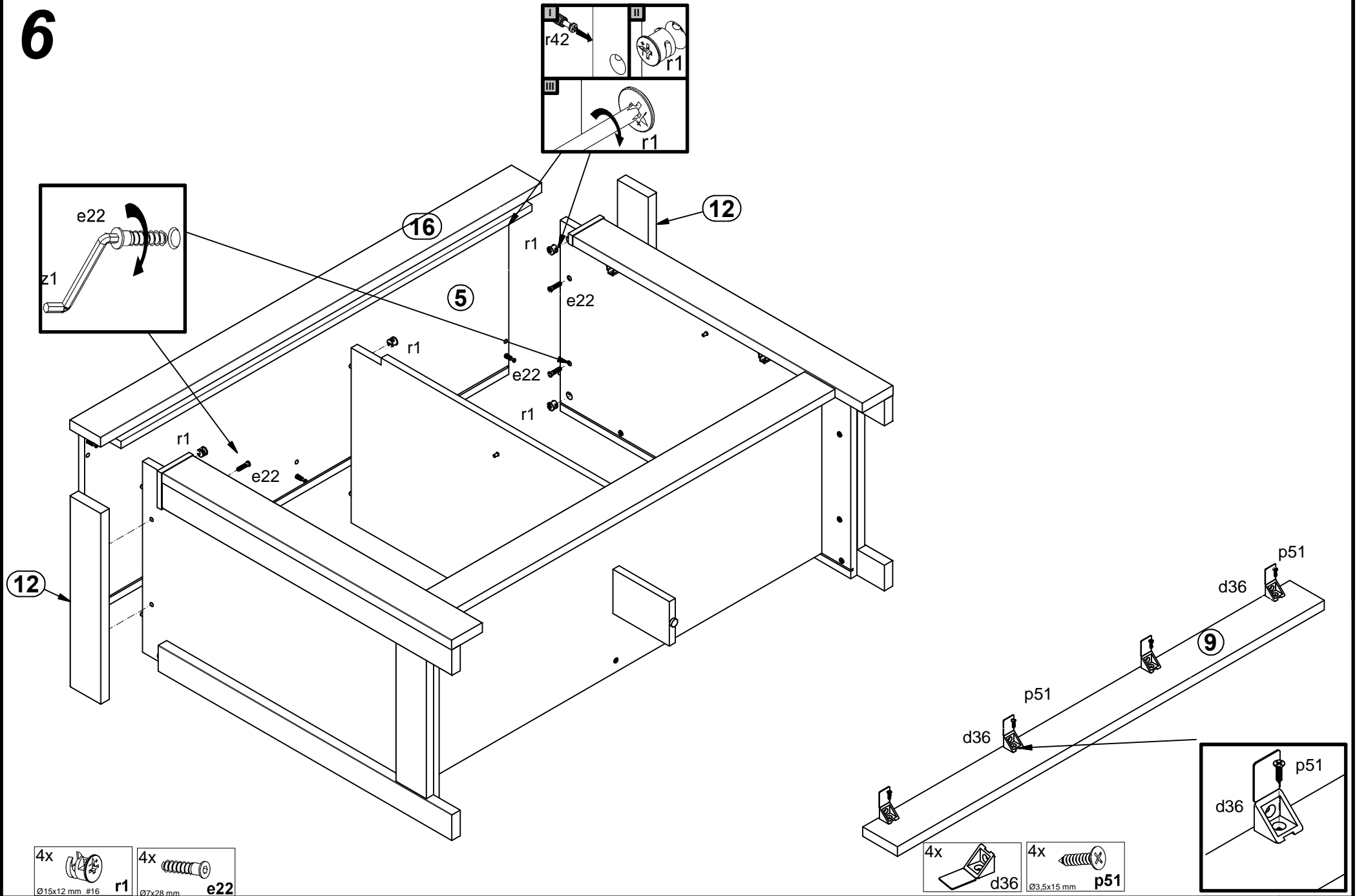
6x Ø15x12 mm #16  r1	16x Ø7x28 mm  e22	4x Ø8x30 mm  f1	16x Ø8x20 mm  f13
---	--	--	--

5

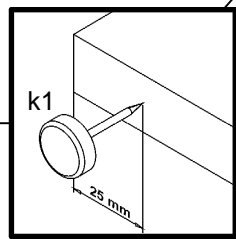
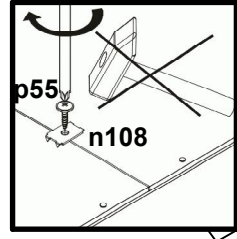
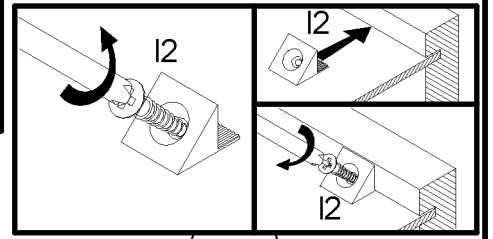
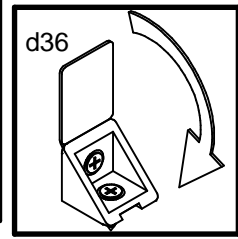
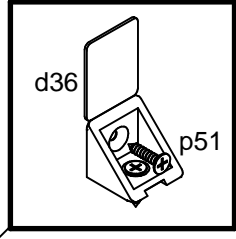
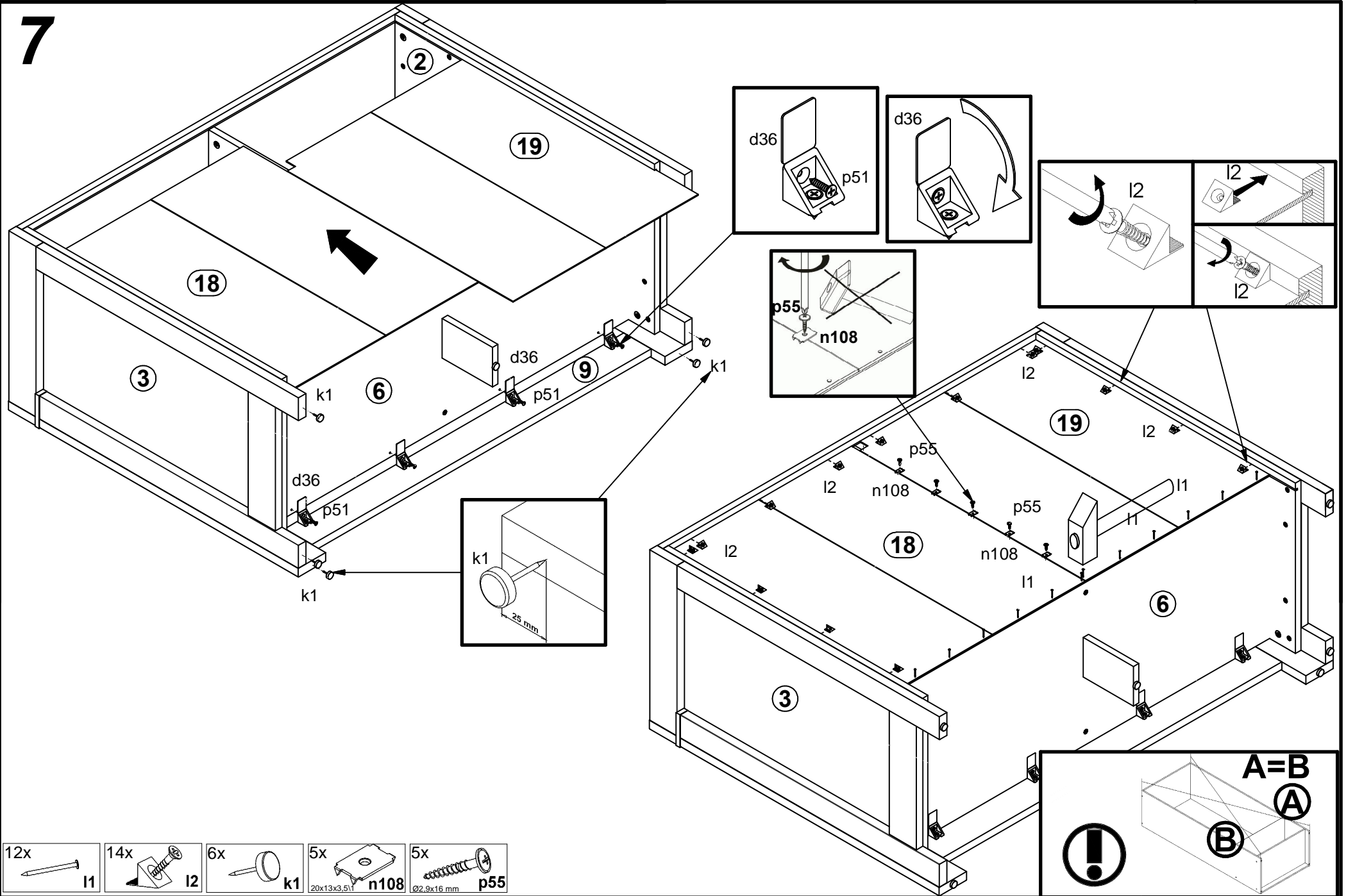





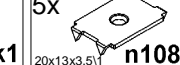

- 4x p79
- 2x k101
- 4x r1
- 6x r42

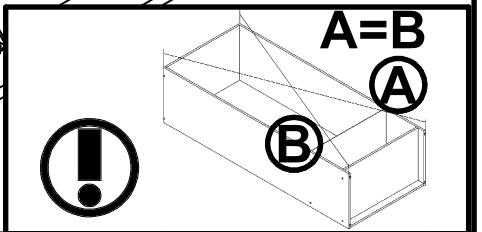
6



7



- 12x  l1
- 14x  l2
- 6x  k1
- 5x  n108
- 5x  p55



8

