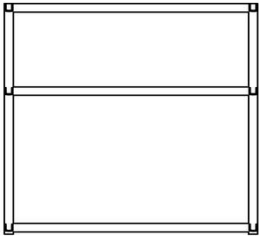


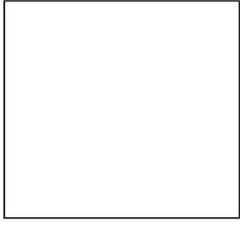






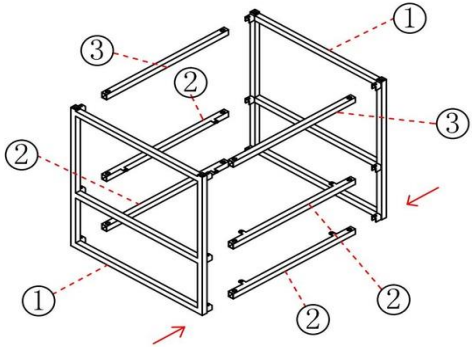
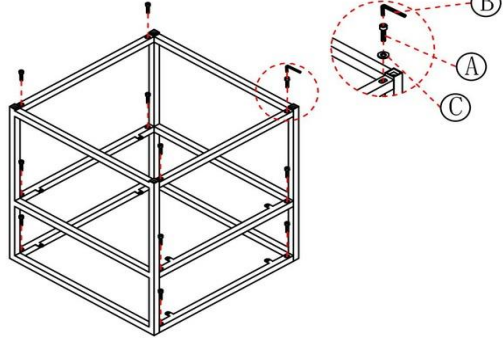
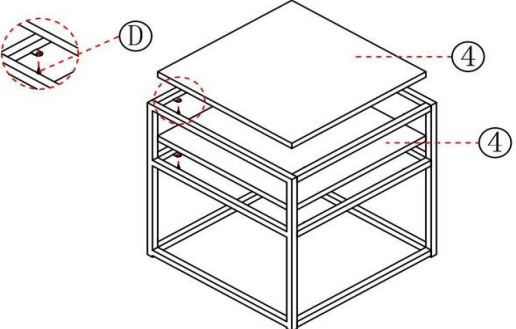
MODEL SYMPHONY B

PARTS LIST

1. - 2 Pcs. 	2. - 4 Pcs.  3. - 2 Pcs. 	4. - 2 Pcs. 
--------------------------------------------------------------------------------------------------	------------------------------------------------------------------------------------------------------------------------------------------------------------------------------------------------------	----------------------------------------------------------------------------------------------------

FITTINGS

A. -12Pcs. 	B. -1Pc. 	C. -12Pcs. 	D. -8Pcs. 
-------------------------------------------------------------------------------------------------	-----------------------------------------------------------------------------------------------	--------------------------------------------------------------------------------------------------	--------------------------------------------------------------------------------------------------

1. 	2. 
3. 	4. 