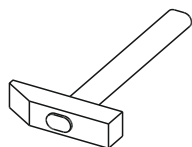
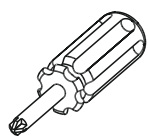
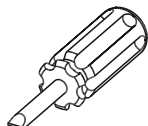
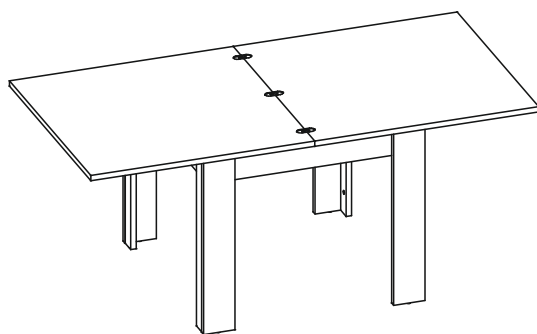


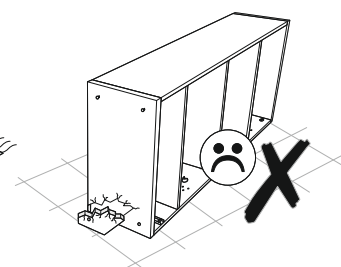
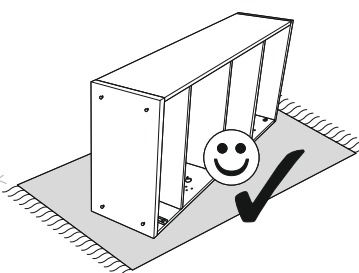
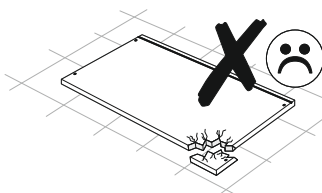
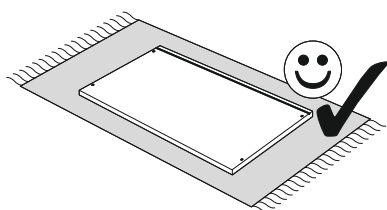
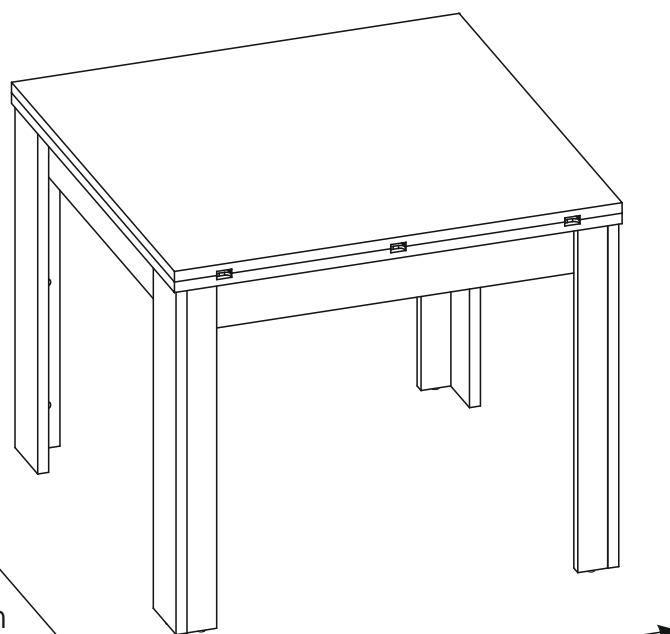
LYON LYOT05

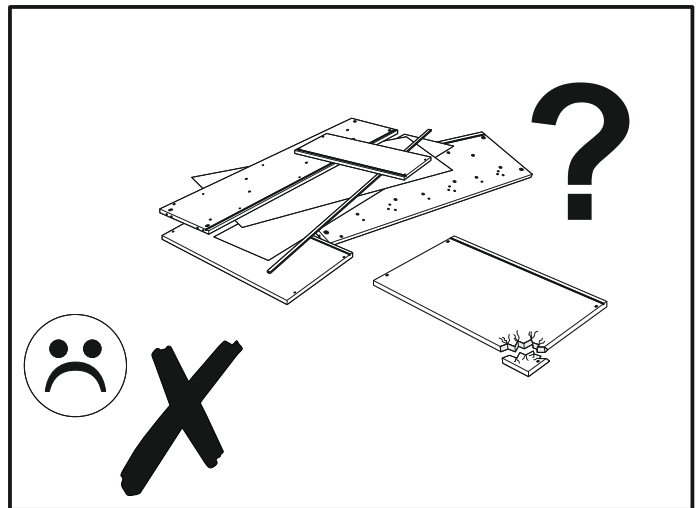
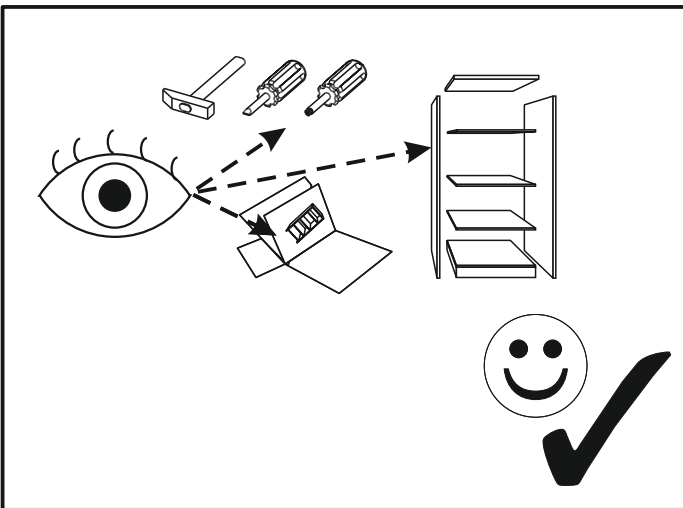
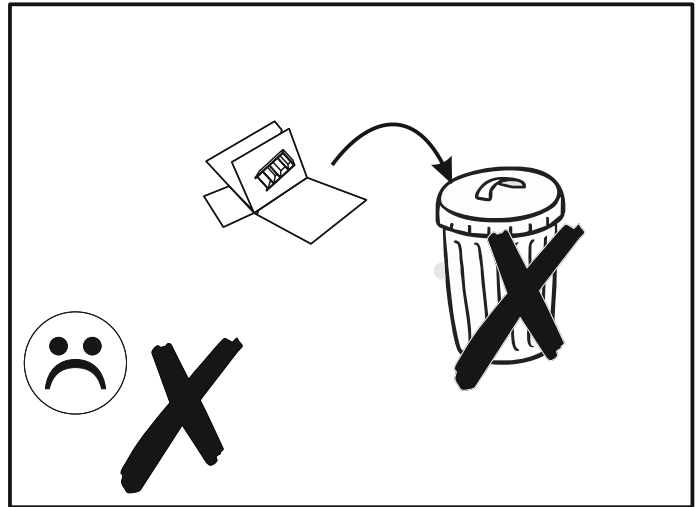
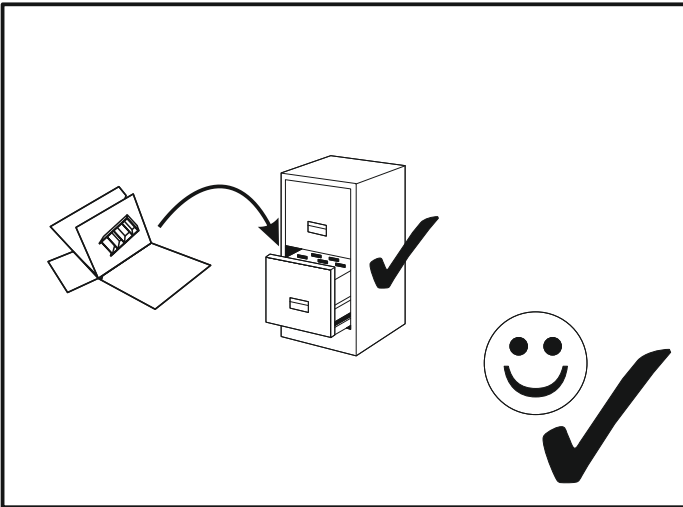


76,5cm

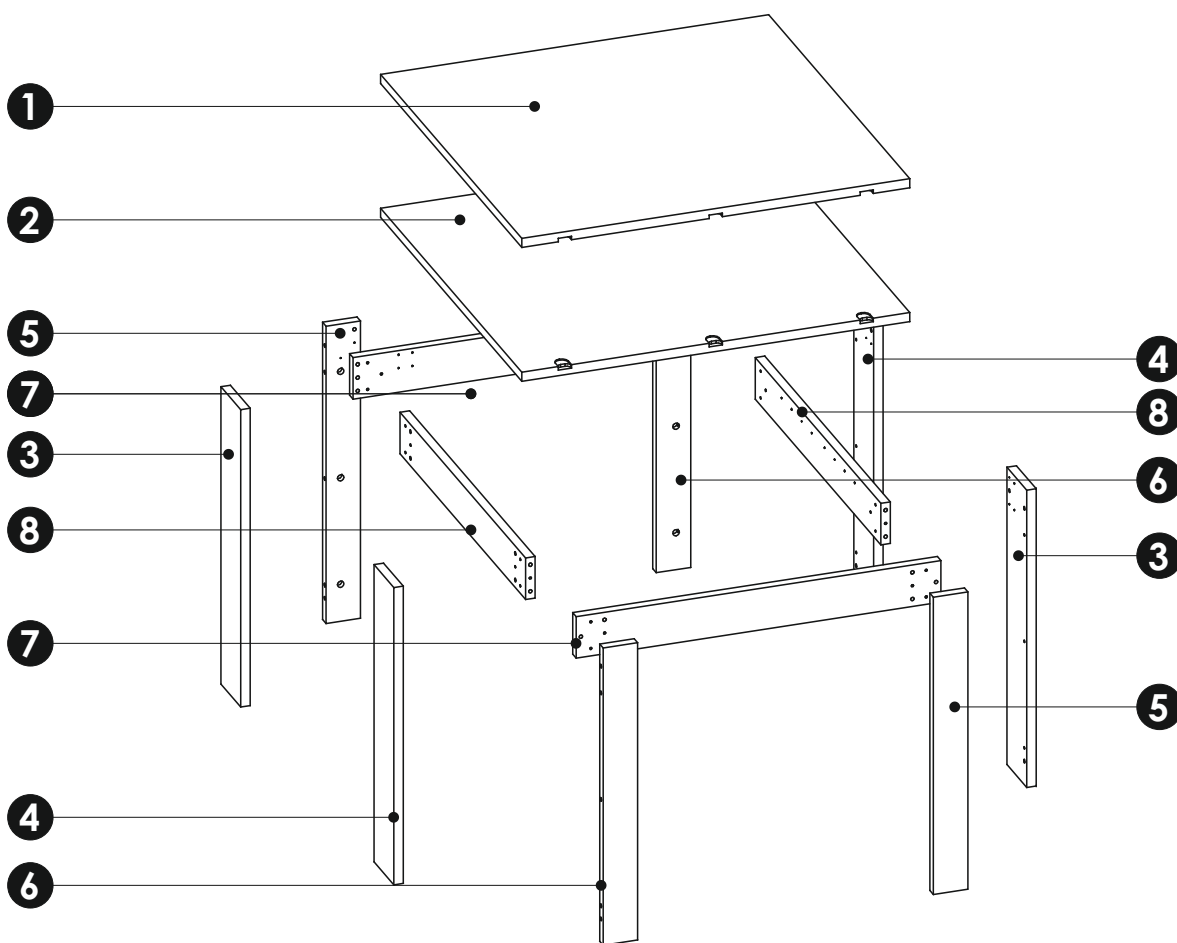
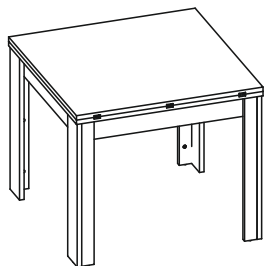
90cm

90,0cm/180,0cm





LYON LYOT05

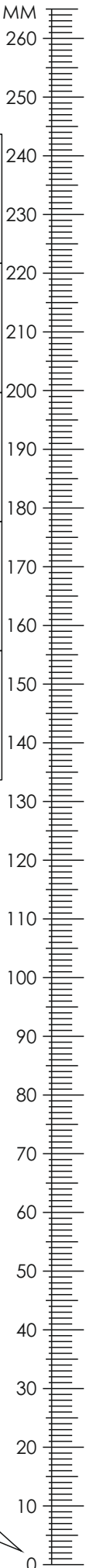




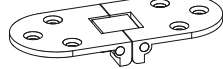


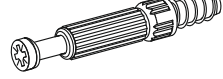



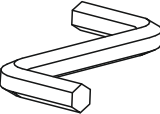
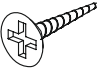
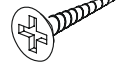
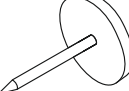
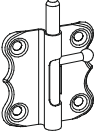
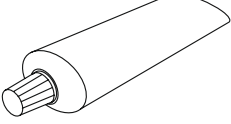
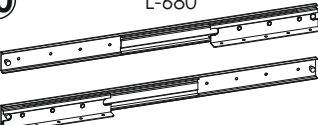
1	900	900	22	x1	2/2
2	900	900	22	x1	2/2
3	715	126	22	x2	1/2

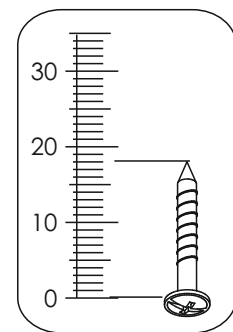
4	715	126	22	x2	1/2
5	715	80	22	x2	1/2
6	715	80	22	x2	1/2

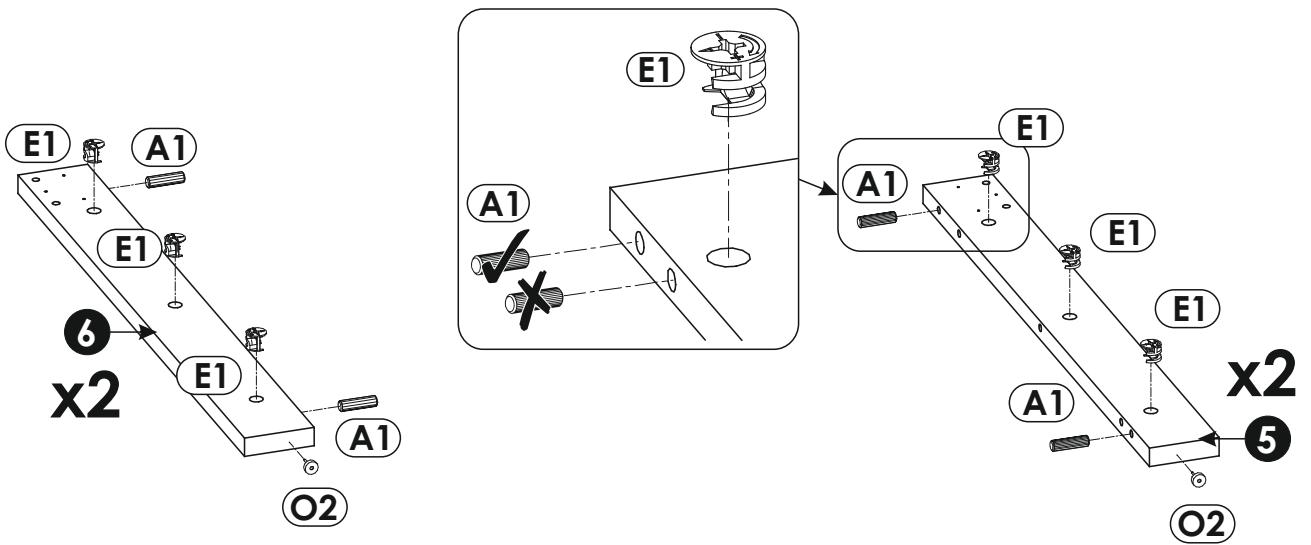
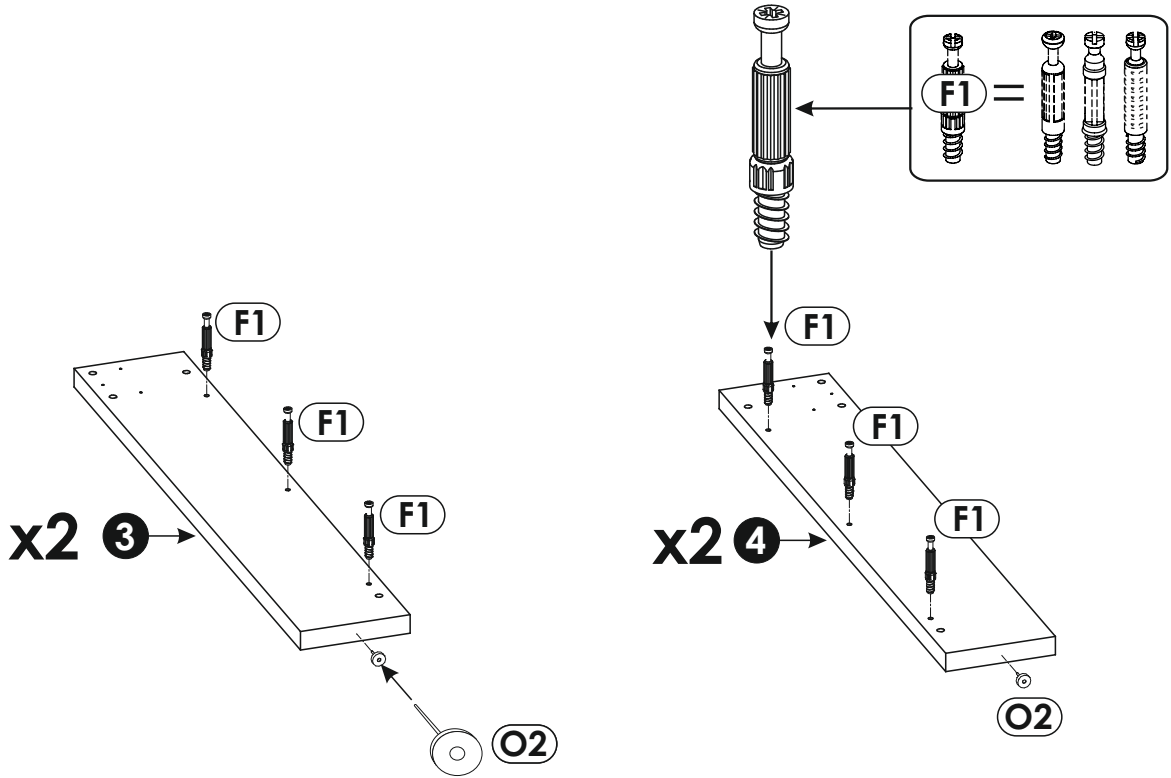
7	846	100	22	x2	1/2
8	800	100	22	x2	1/2

LYON LYOT05

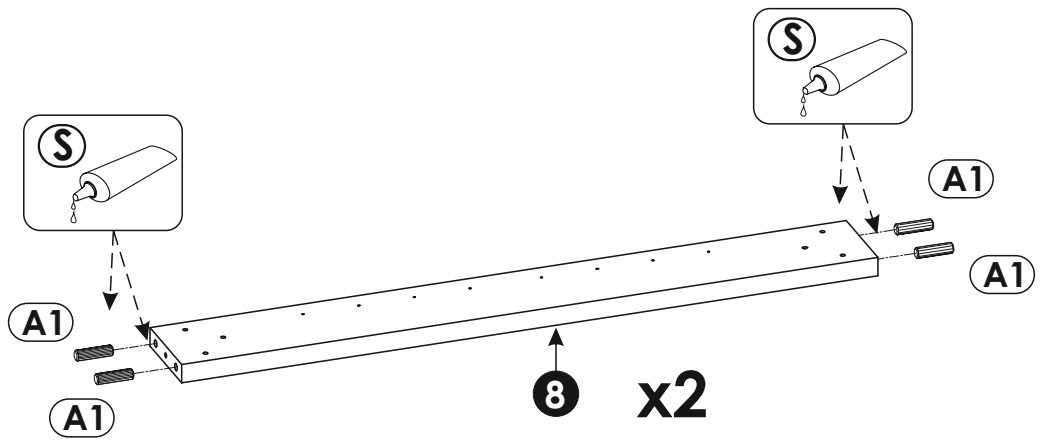


A0 8 x 24 mm x16 	A1 8 x 35 mm x16 	BK x3 
E1 15 x 12 mm x12 	E0 x12 	F1 6 x 34 mm x12 
G2 7 x 60 mm x4 	I2 4 x 16 mm x30 	I12 4 x 40 mm x24 
M 	N0 3,5 X 13 mm x8 	N2 3,5 X 16 mm x18 
O2 x8 	R9 x2 	S x1 
T10 L-680 x1 		

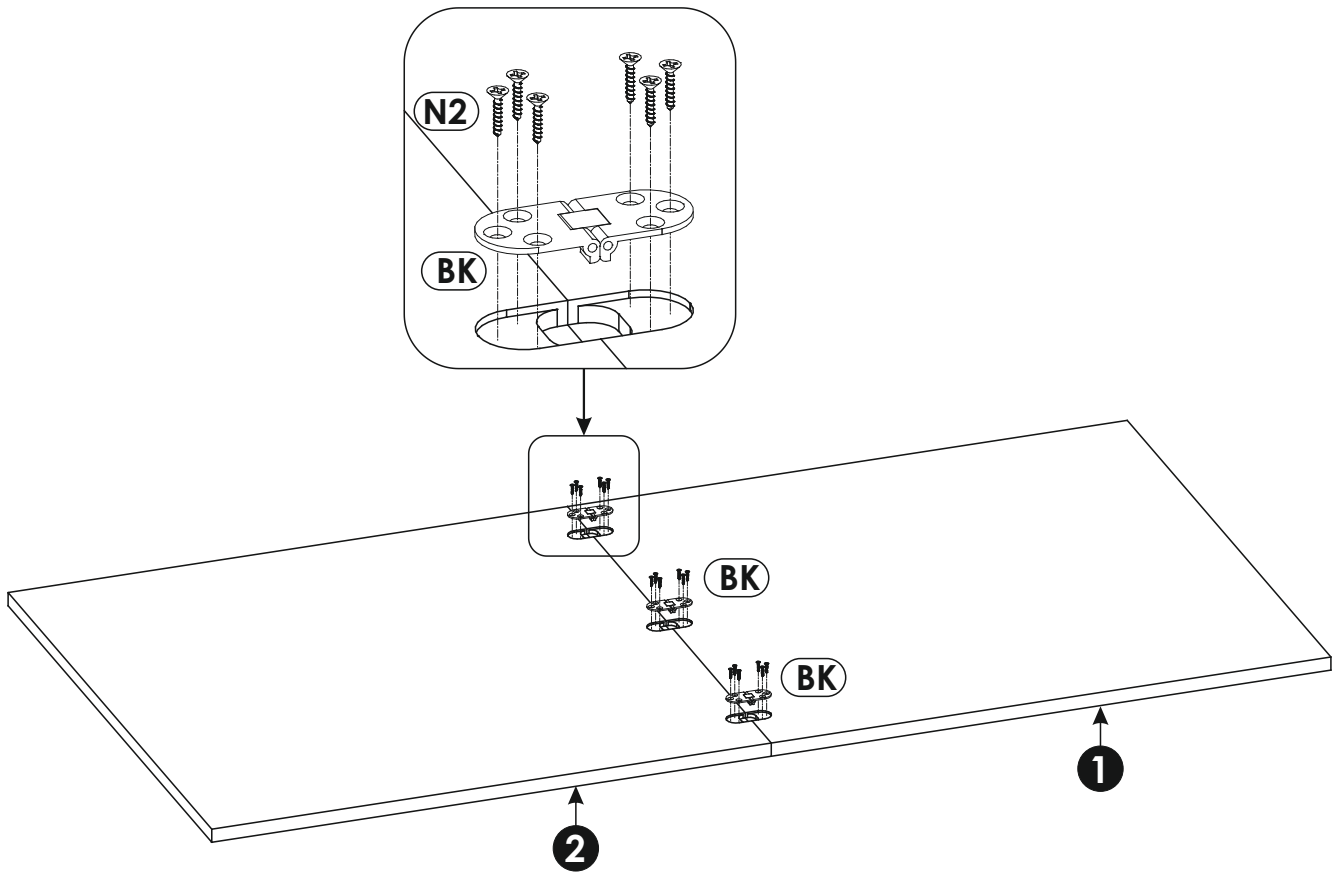


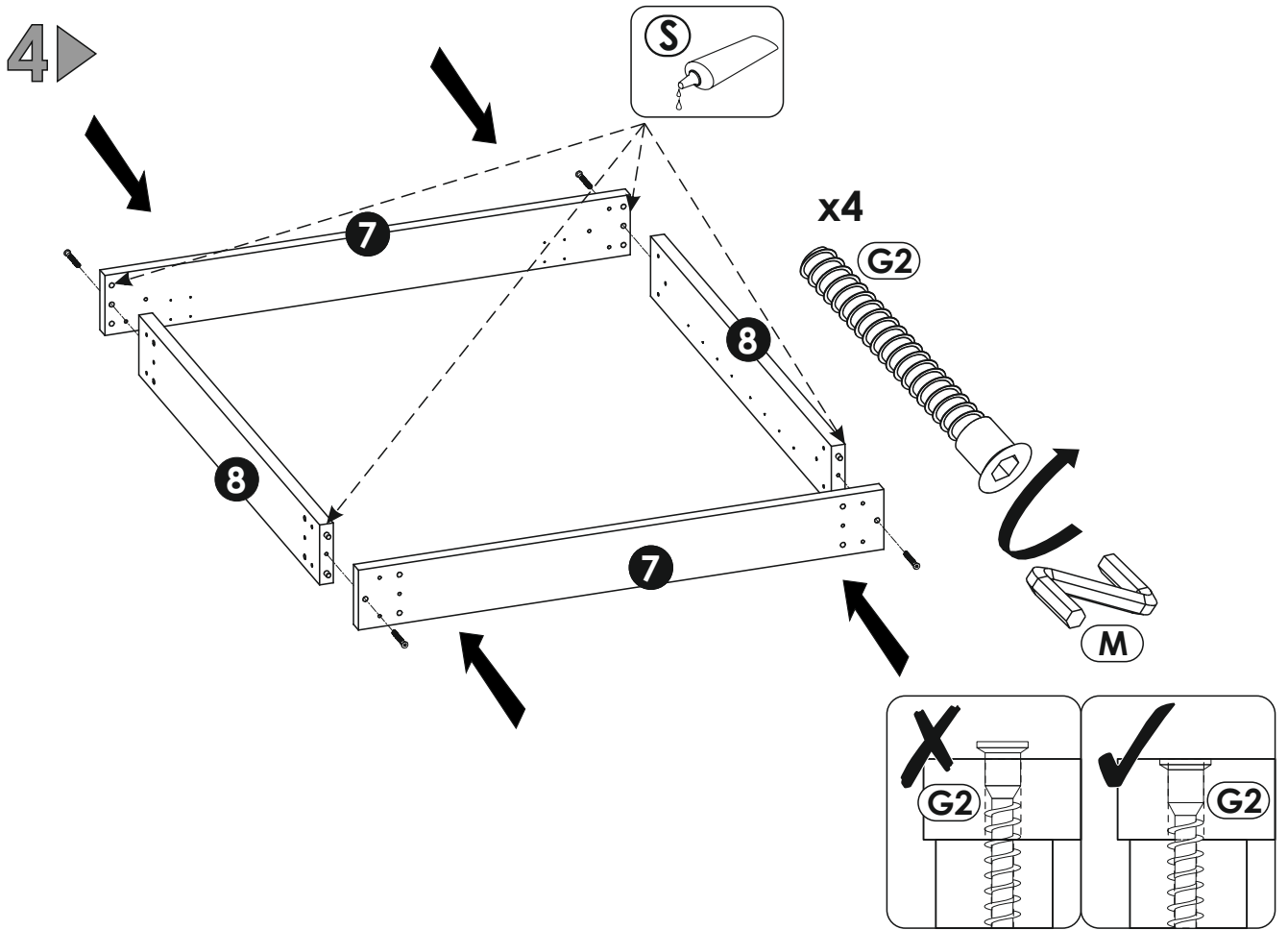


2 ▶

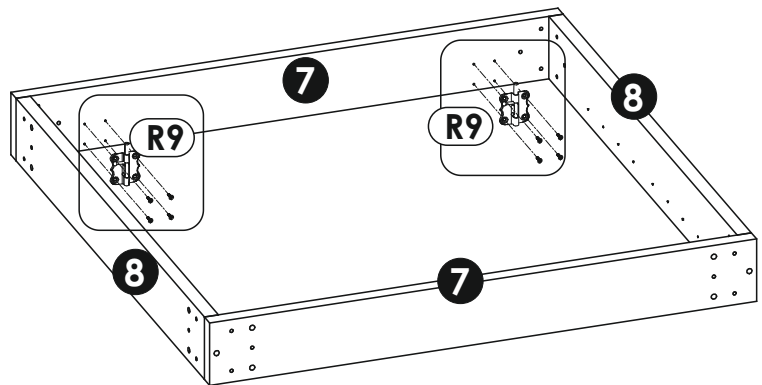
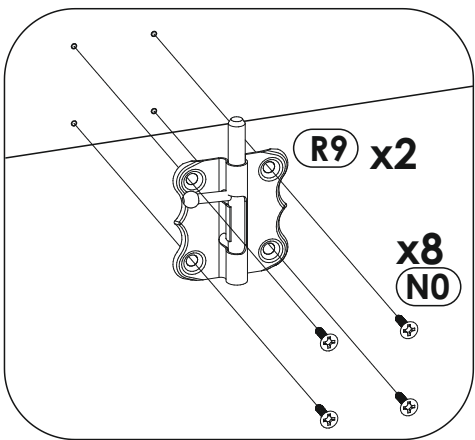


3 ▶

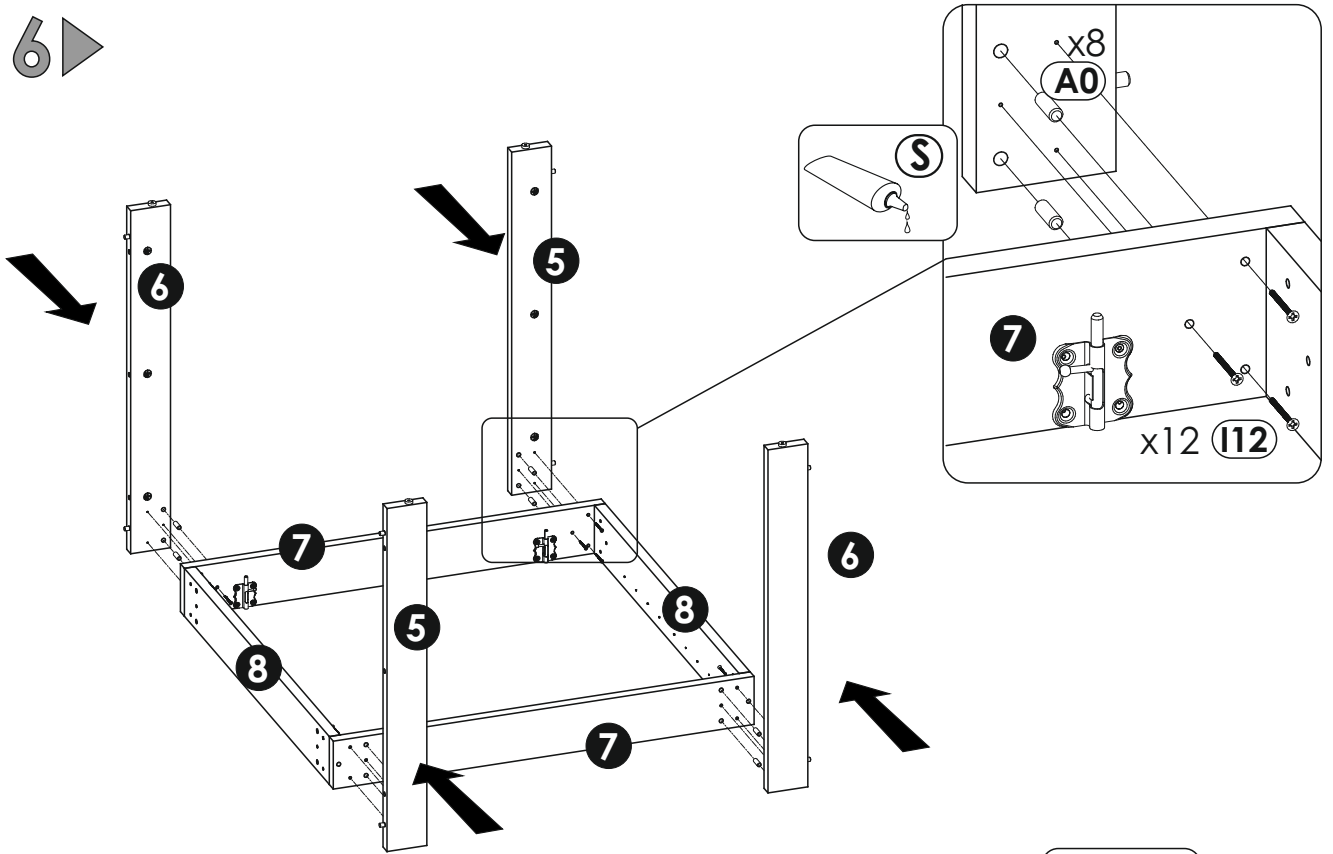




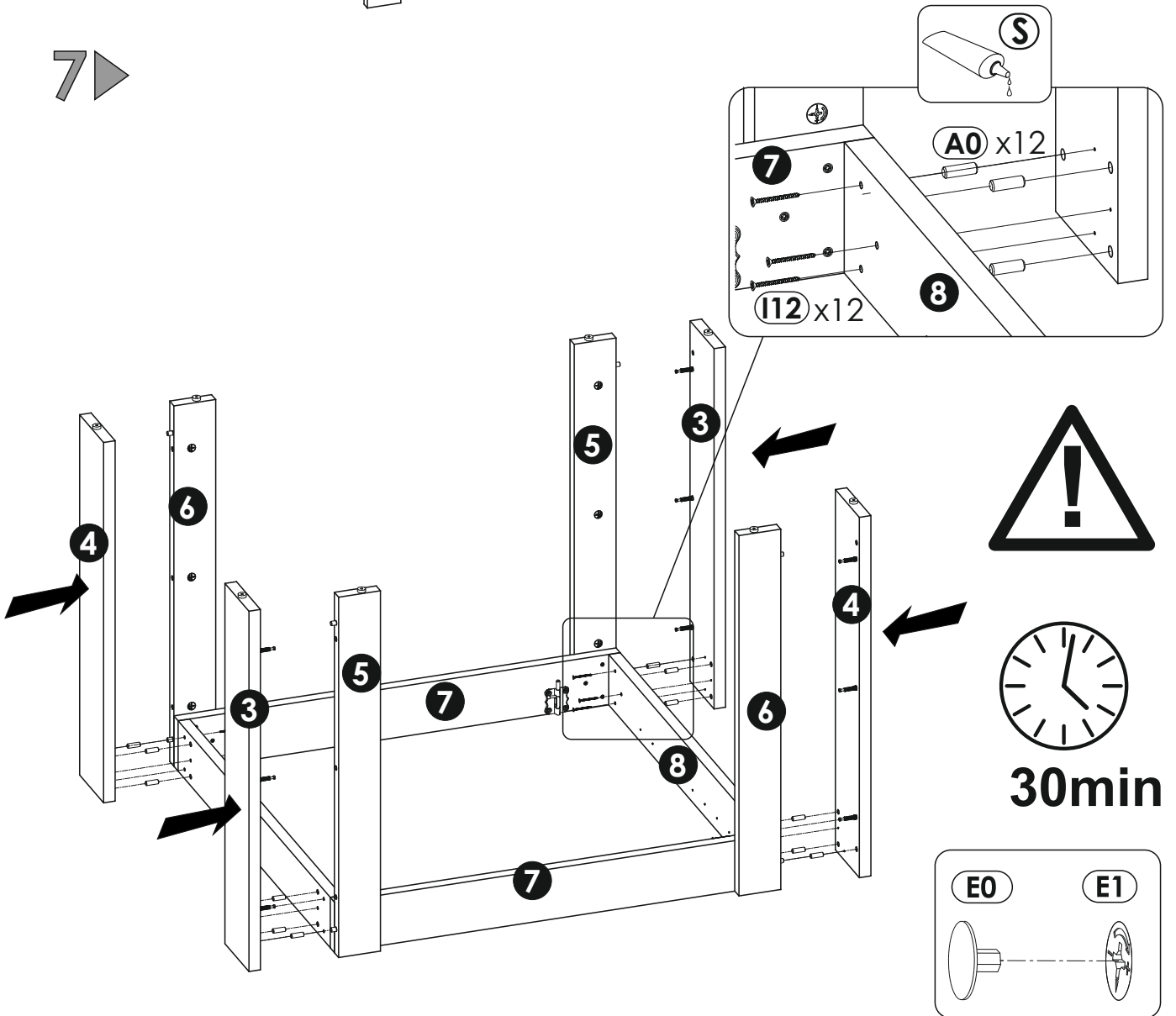
5 ▶



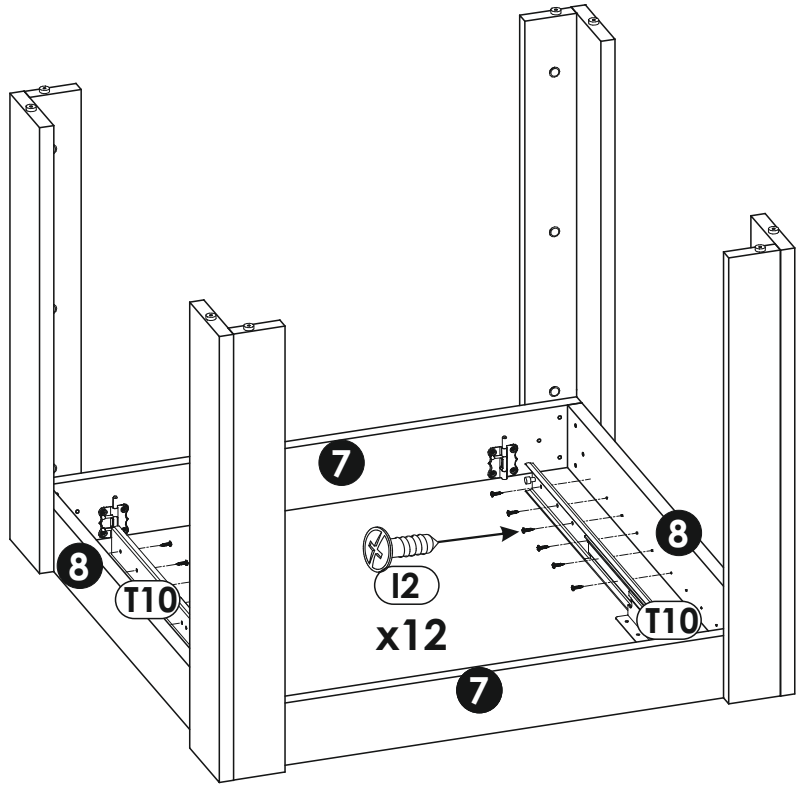
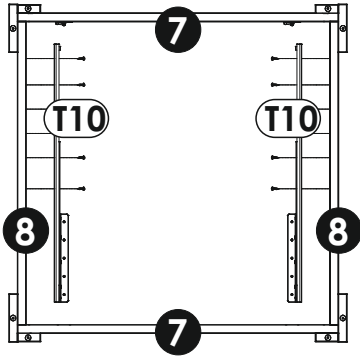
6 ▶



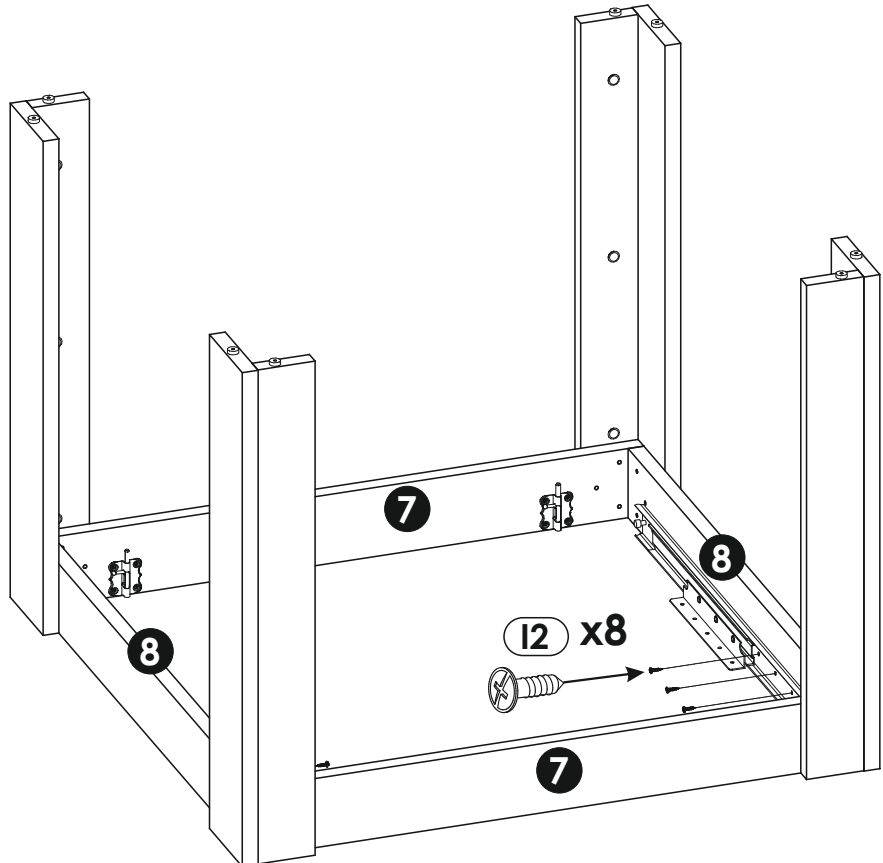
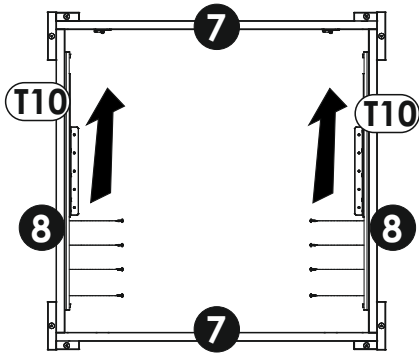
7 ▶



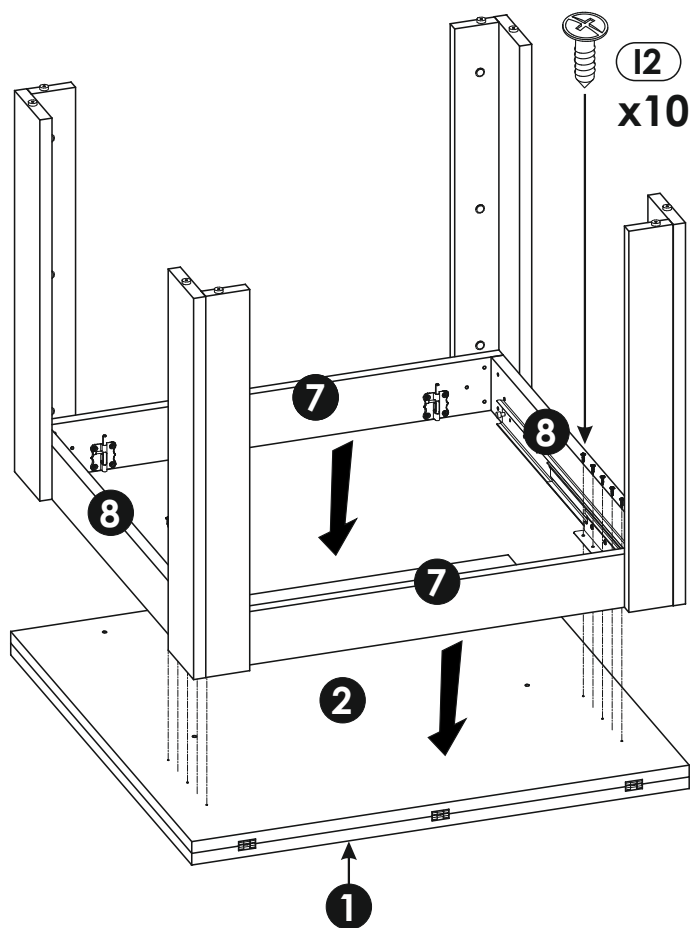
8 ▶



9 ▶



10 ▶



11 ▶

