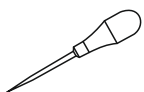
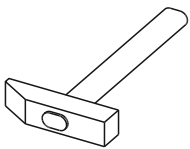
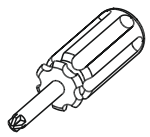
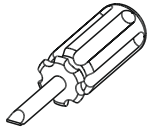
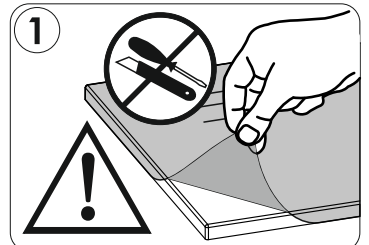
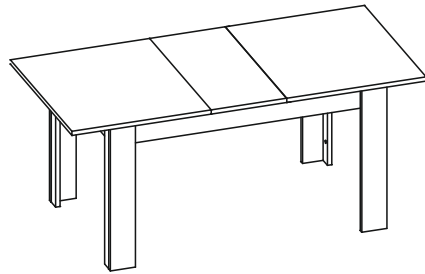
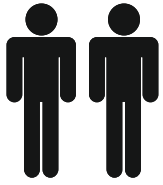


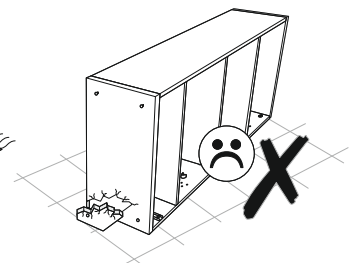
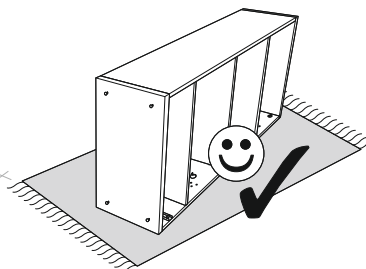
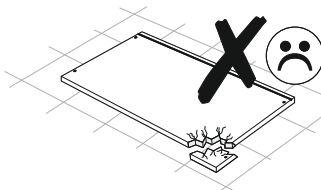
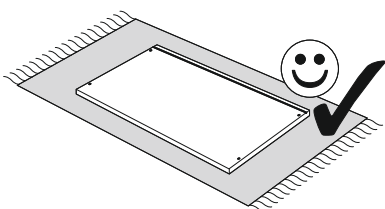
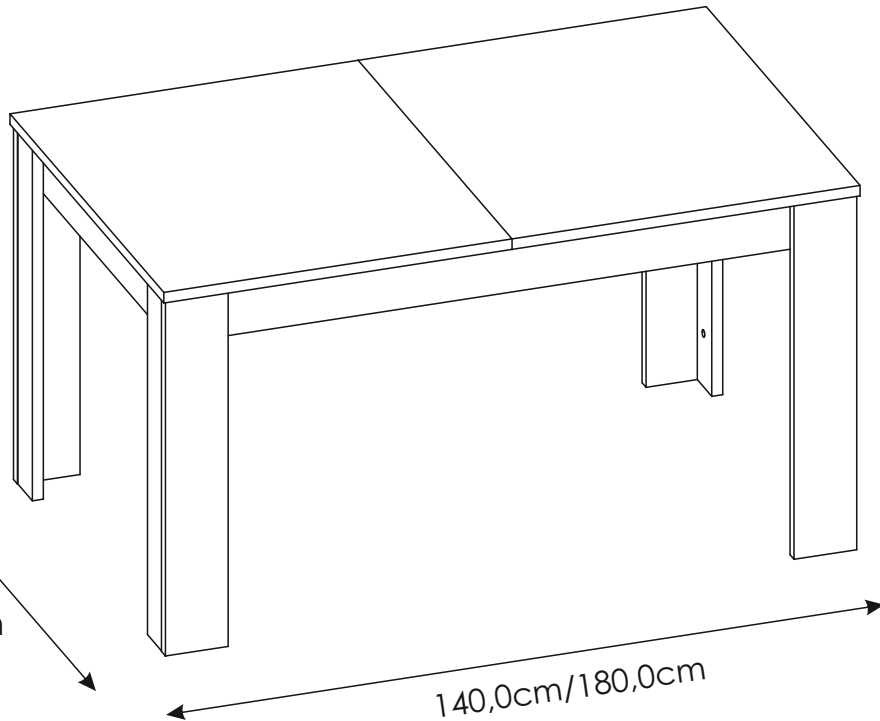
# LYON LYOT03

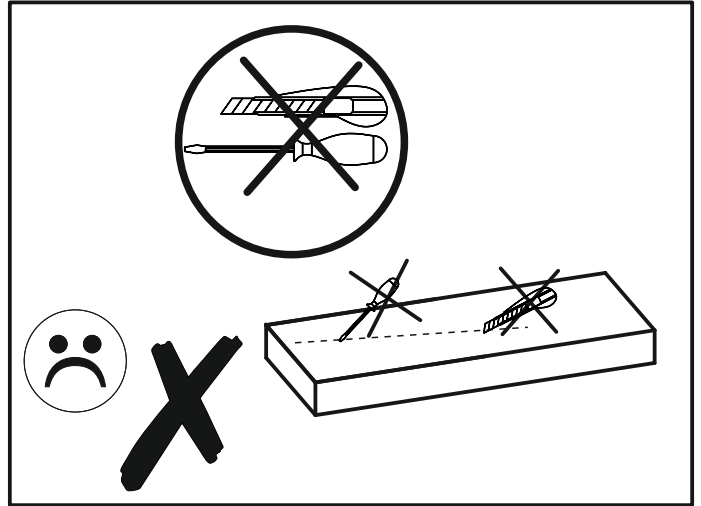
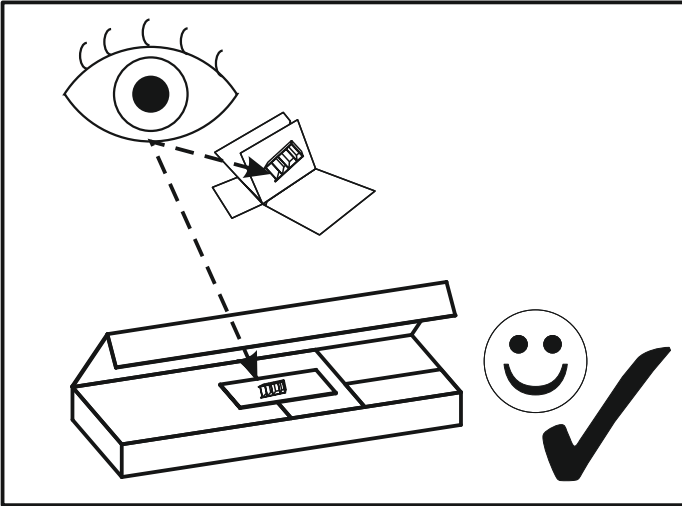


76,6cm

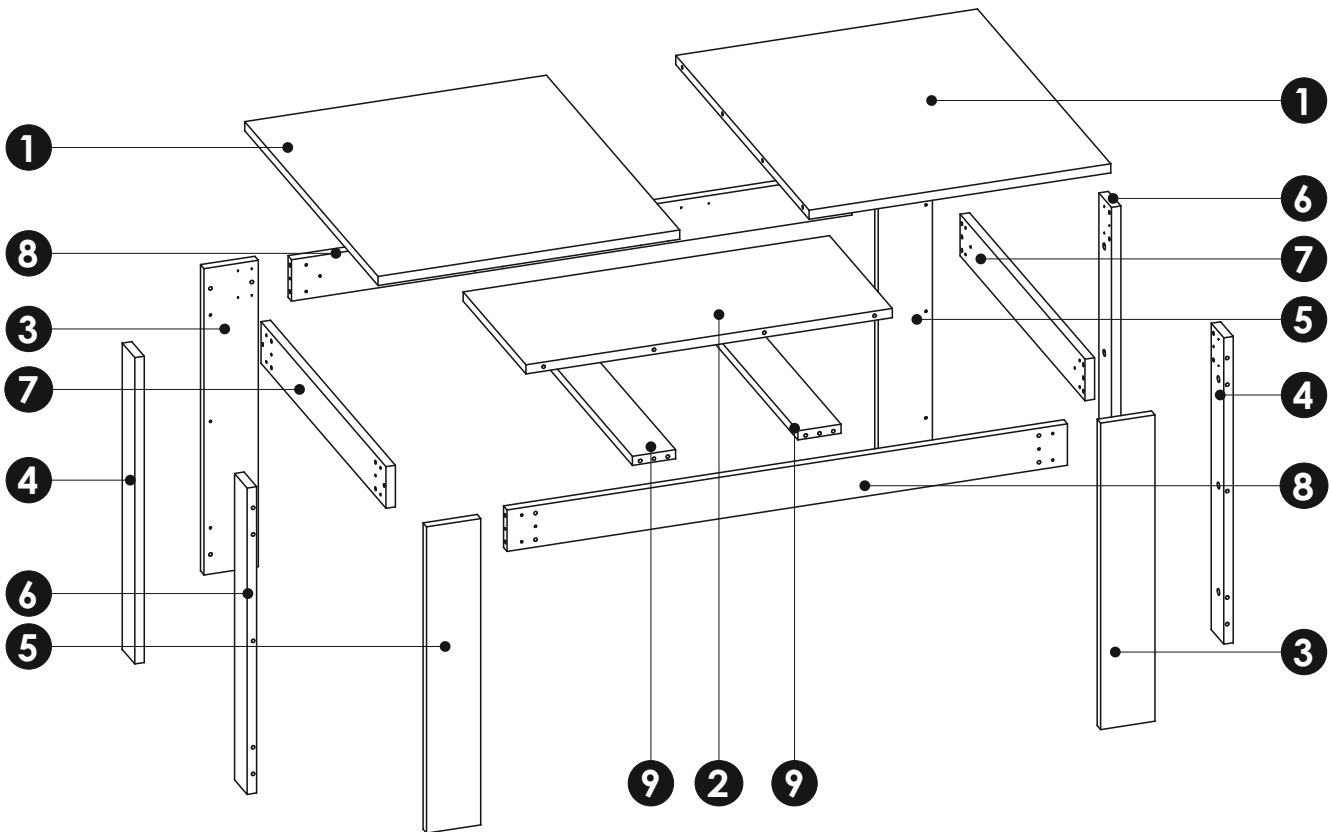
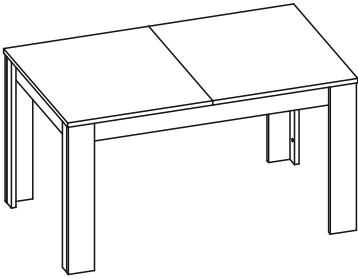
85cm

140,0cm/180,0cm





# LYON LYOT03

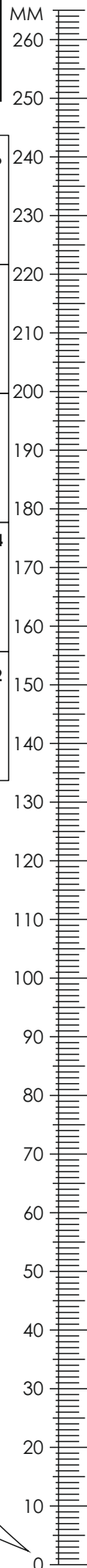



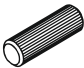


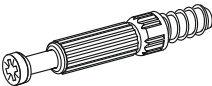
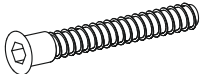


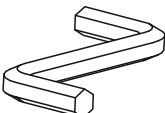
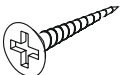
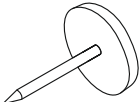

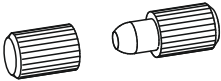
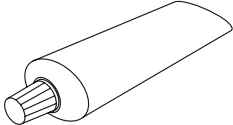
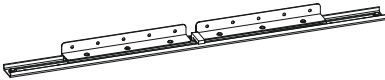
|          |     |     |    |    |     |
|----------|-----|-----|----|----|-----|
| <b>1</b> | 850 | 700 | 22 | x2 | 2/2 |
| <b>2</b> | 850 | 400 | 22 | x1 | 2/2 |
| <b>3</b> | 737 | 126 | 22 | x2 | 1/2 |

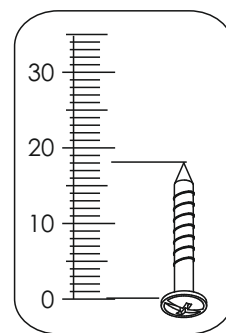
|          |     |     |    |    |     |
|----------|-----|-----|----|----|-----|
| <b>4</b> | 737 | 80  | 22 | x2 | 1/2 |
| <b>5</b> | 737 | 126 | 22 | x2 | 1/2 |
| <b>6</b> | 737 | 80  | 22 | x2 | 1/2 |

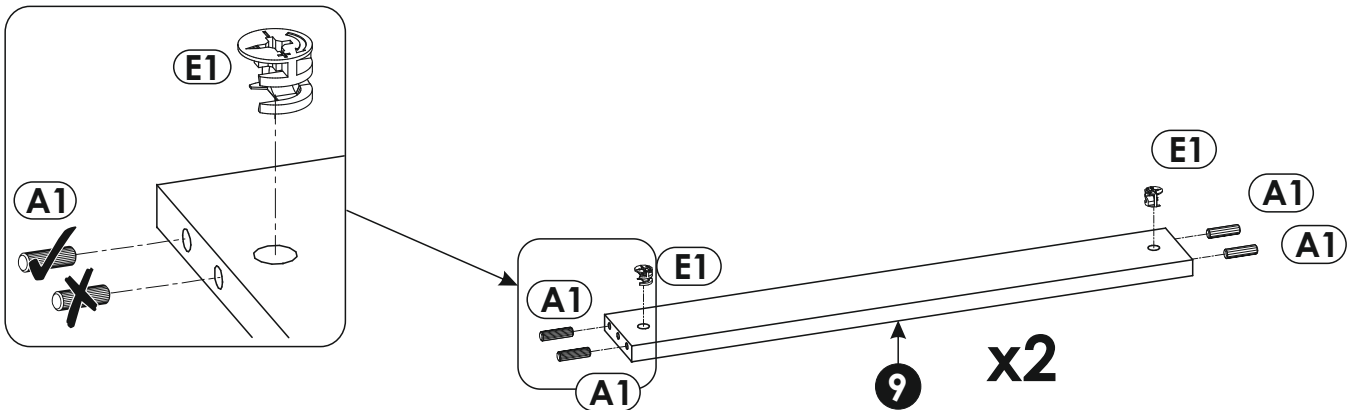
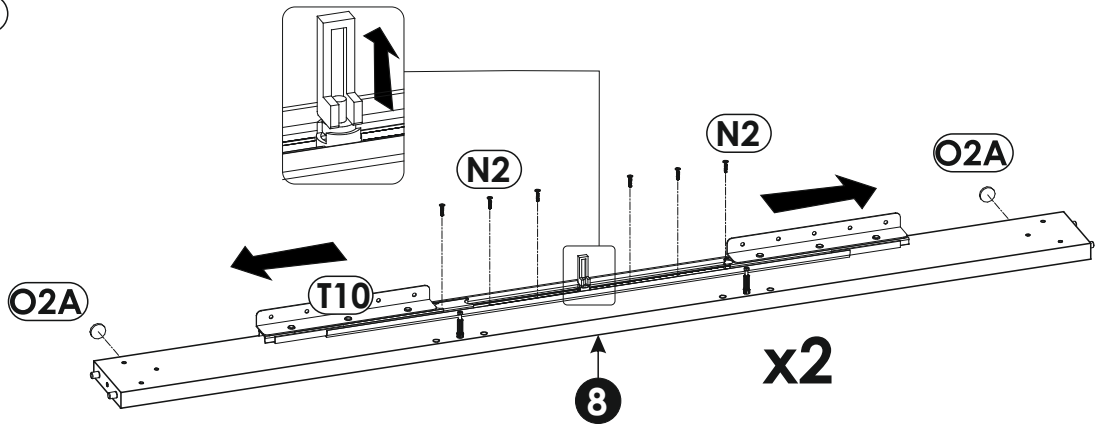
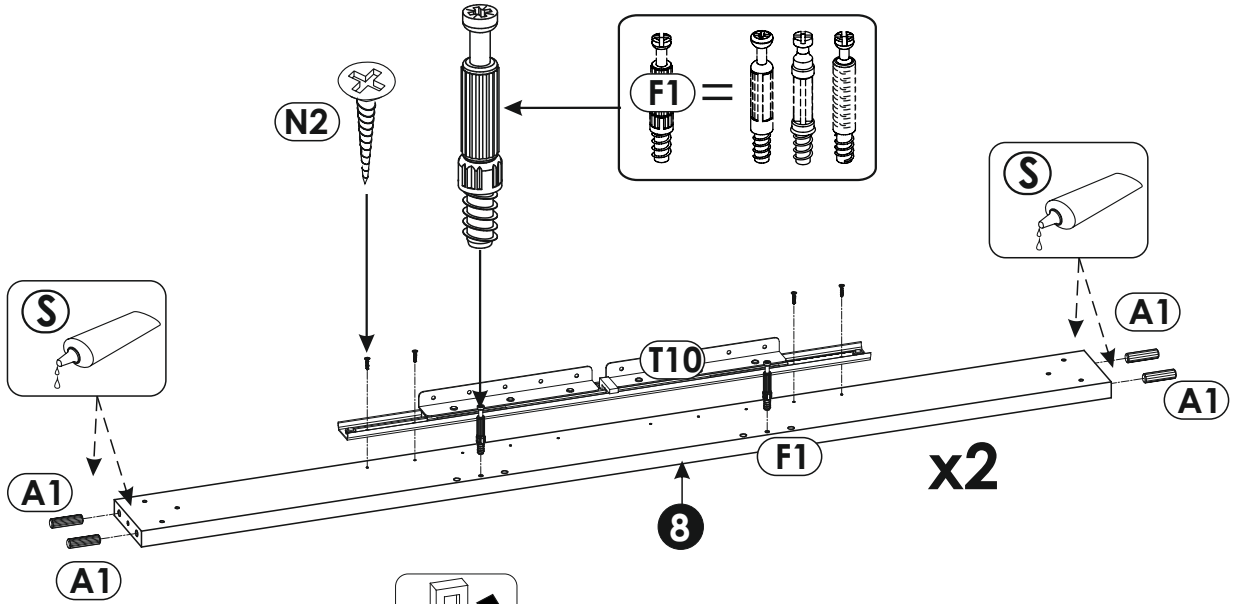
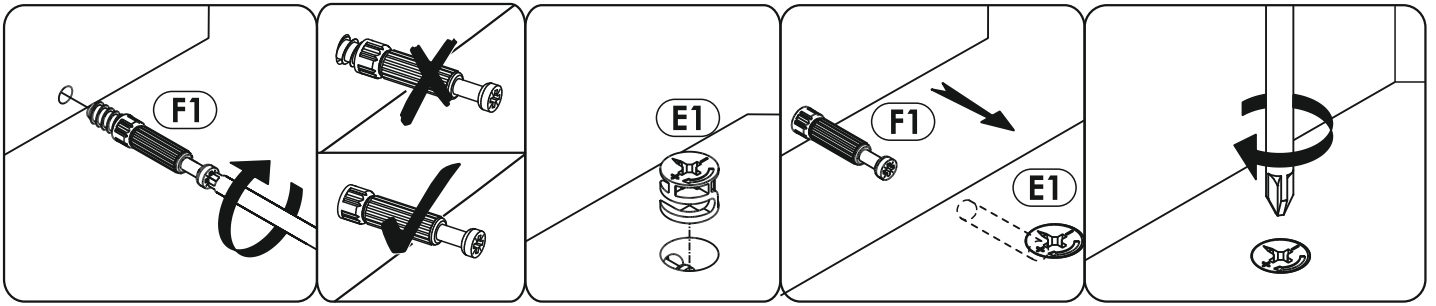
|          |      |     |    |    |     |
|----------|------|-----|----|----|-----|
| <b>7</b> | 796  | 100 | 22 | x2 | 1/2 |
| <b>8</b> | 1300 | 100 | 22 | x2 | 1/2 |
| <b>9</b> | 752  | 100 | 22 | x2 | 2/2 |

# LYON LYOT03

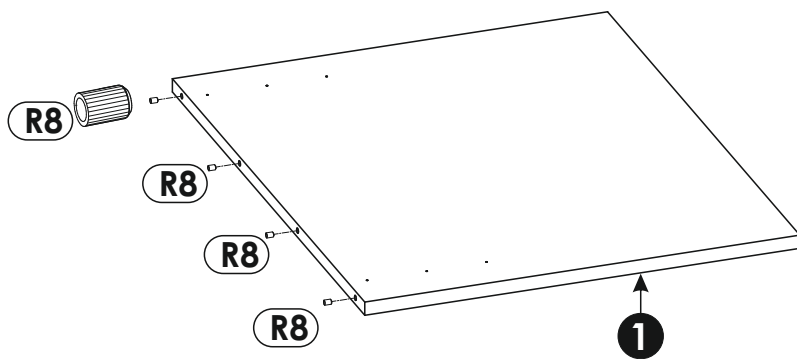
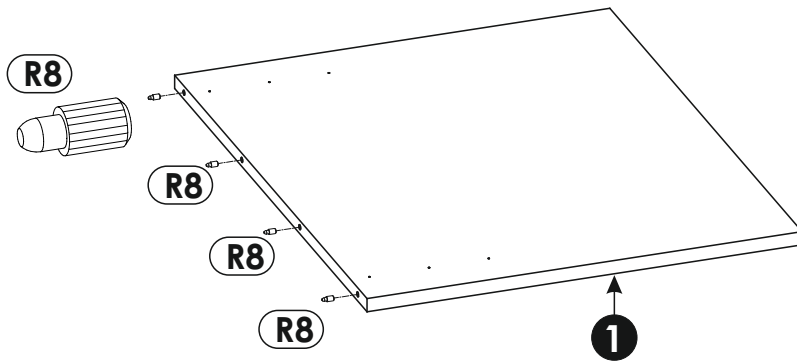
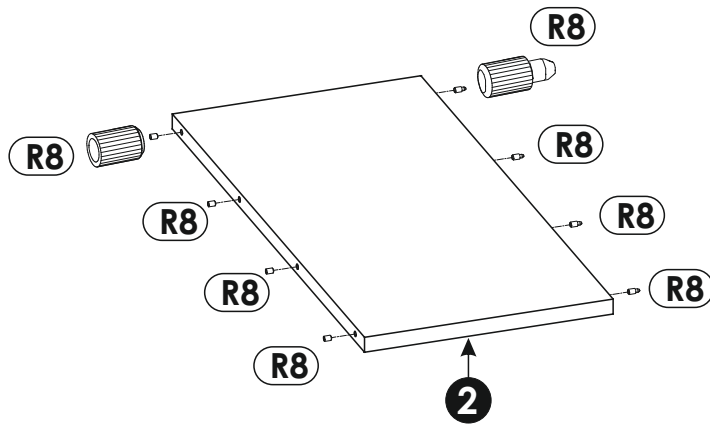


|  |   |   |
|--|---|---|
| <b>A0</b> 8 x 24 mm x16<br>   | <b>A1</b> 8 x 35 mm x24<br>  | <b>E1</b> 15 x 12 mm x16<br> |
| <b>E0</b> x16<br>             | <b>F1</b> 6 x 34 mm x16<br>  | <b>G2</b> 7 x 60 mm x4<br>   |
| <b>I1</b> 4 x 20 mm x20<br>   | <b>I12</b> 4 x 40 mm x24<br> | <b>M</b> x1<br>              |
| <b>N2</b> 3,5 X 16 mm x20<br> | <b>O2</b> x8<br>             | <b>O2A</b> ø20 x4<br>        |
| <b>R8</b> x8<br>             | <b>S</b> x1<br>             | <b>T10</b> L-700 x2<br>      |

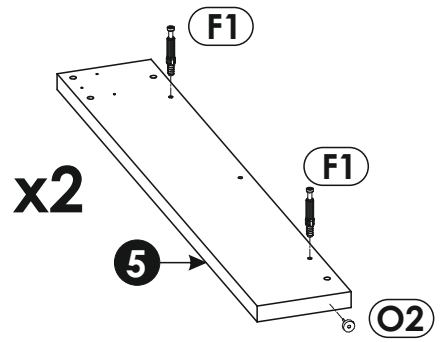
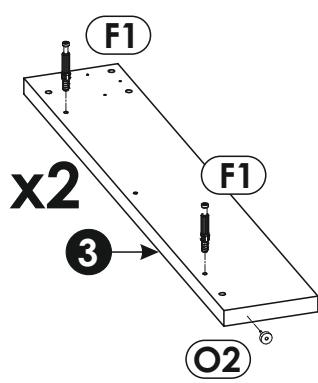
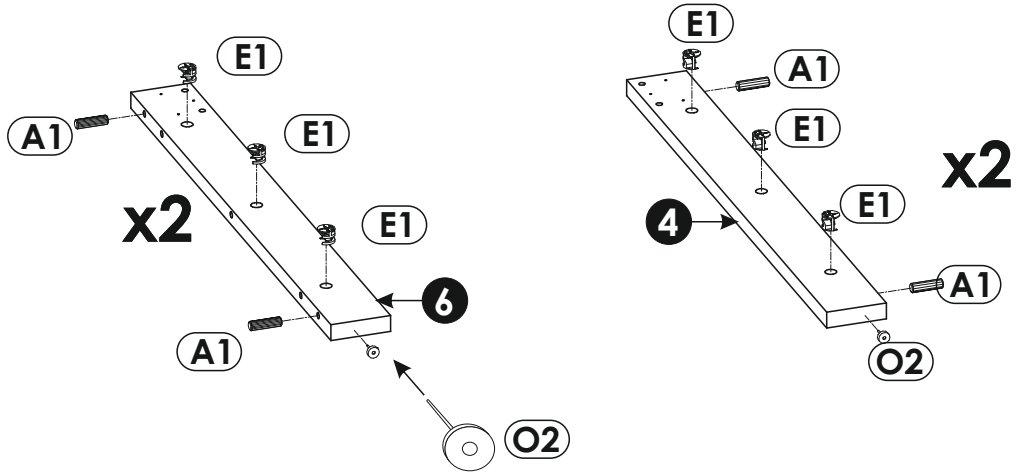




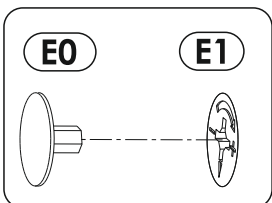
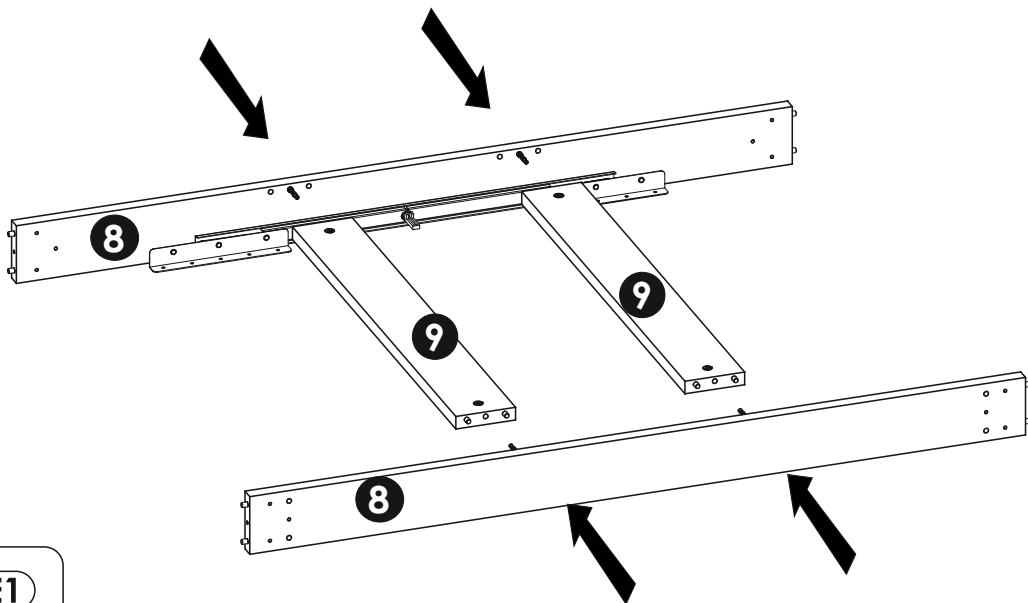
2▶



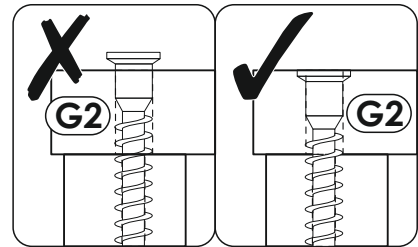
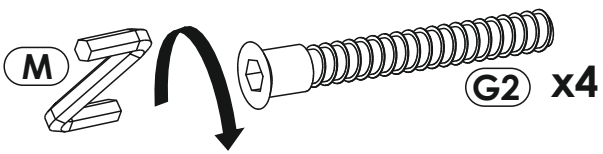
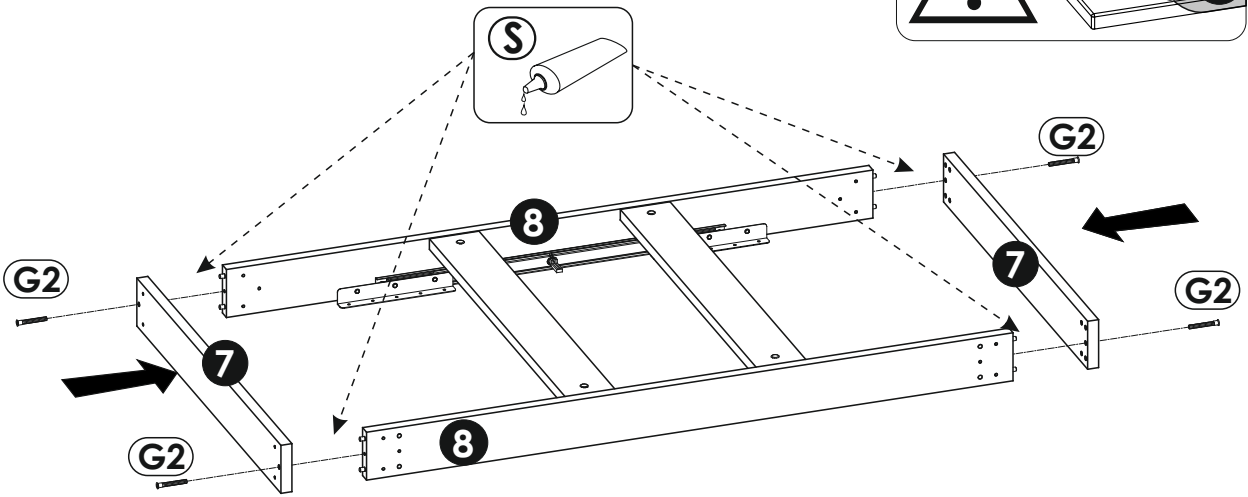
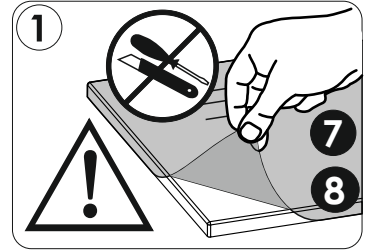
3 ▶



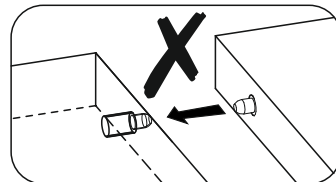
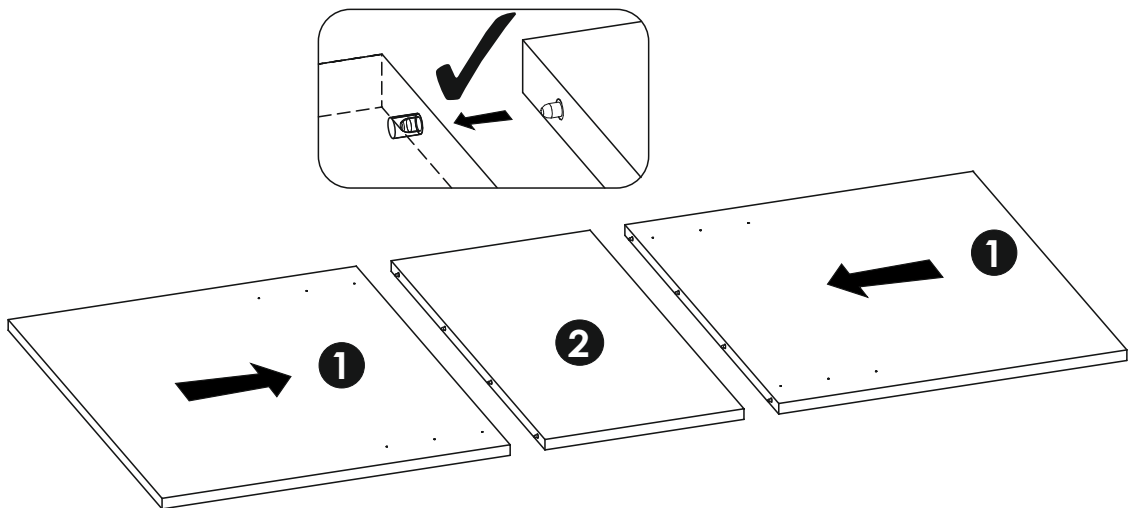
4 ▶



5 ▶

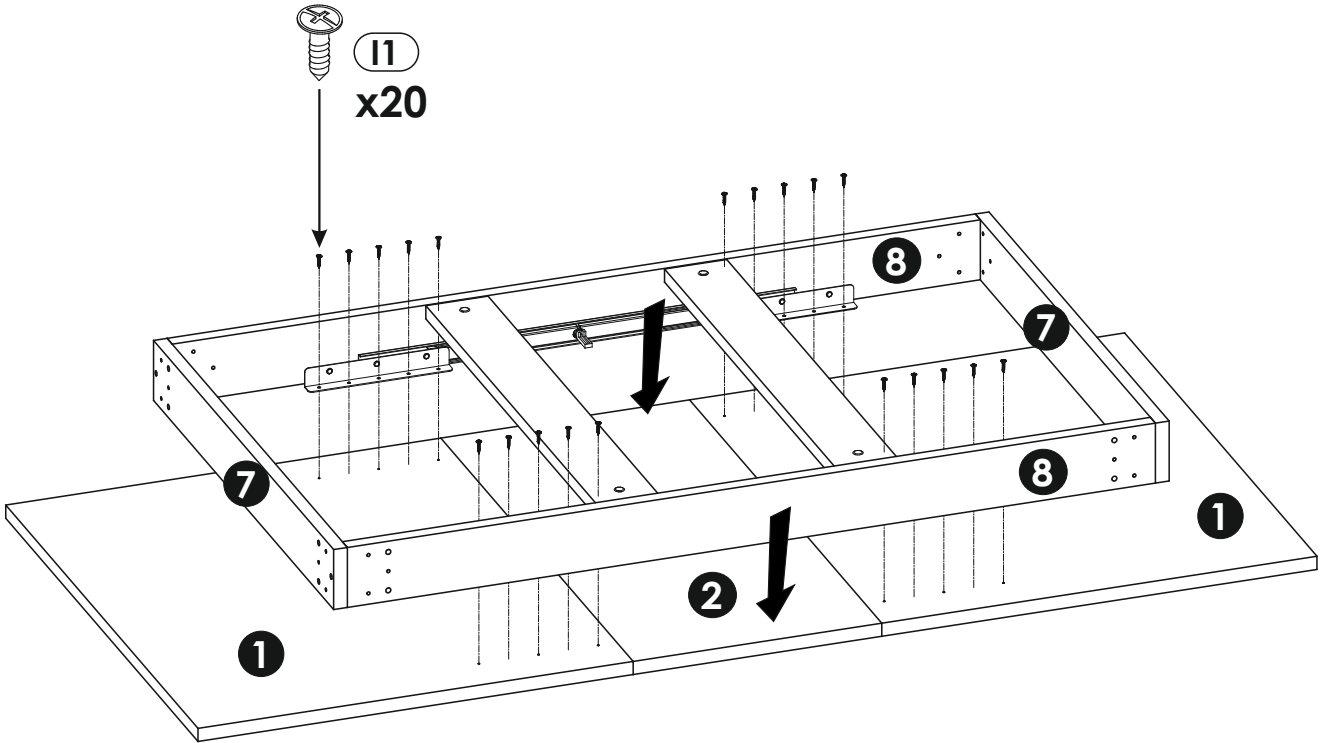


6 ▶

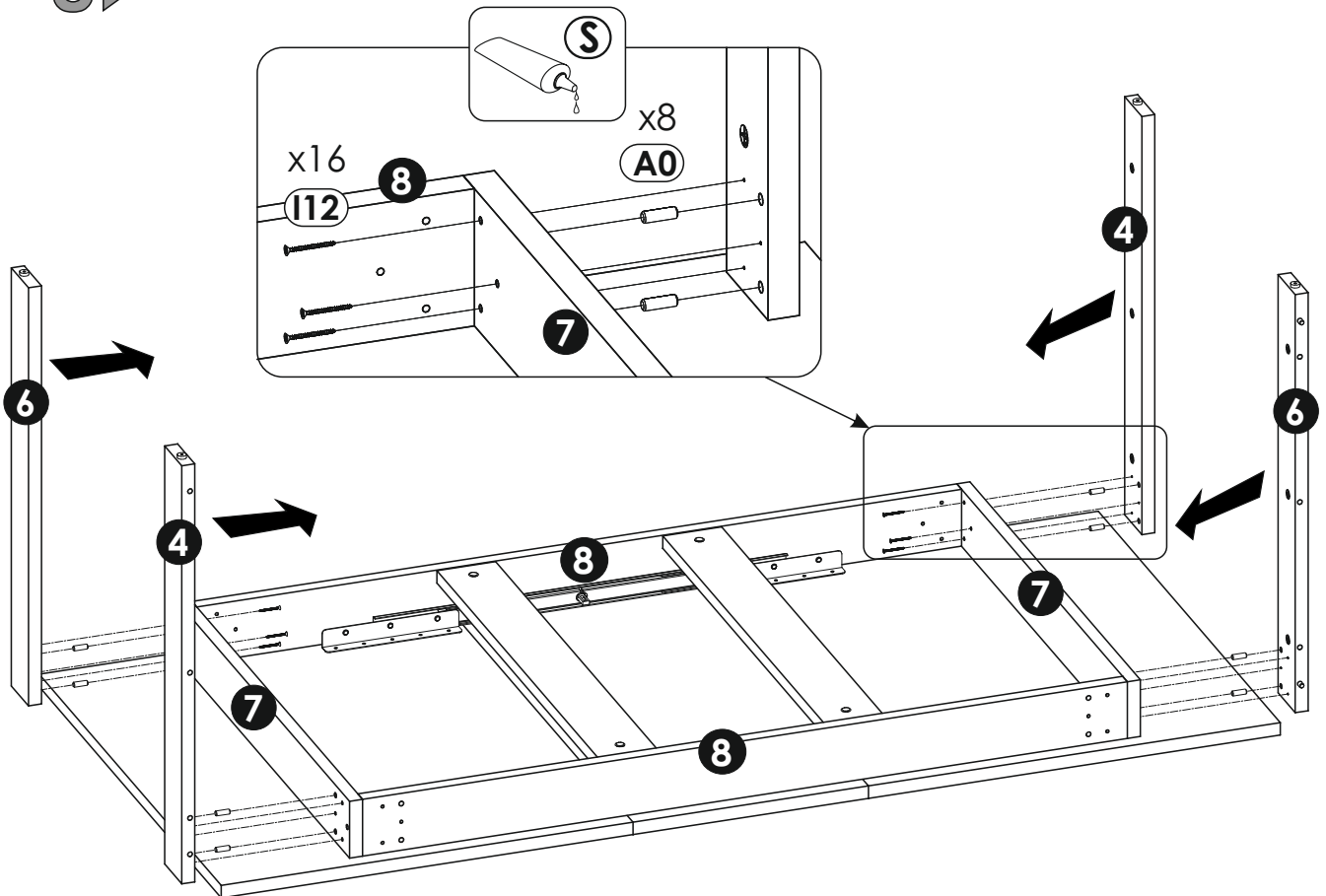


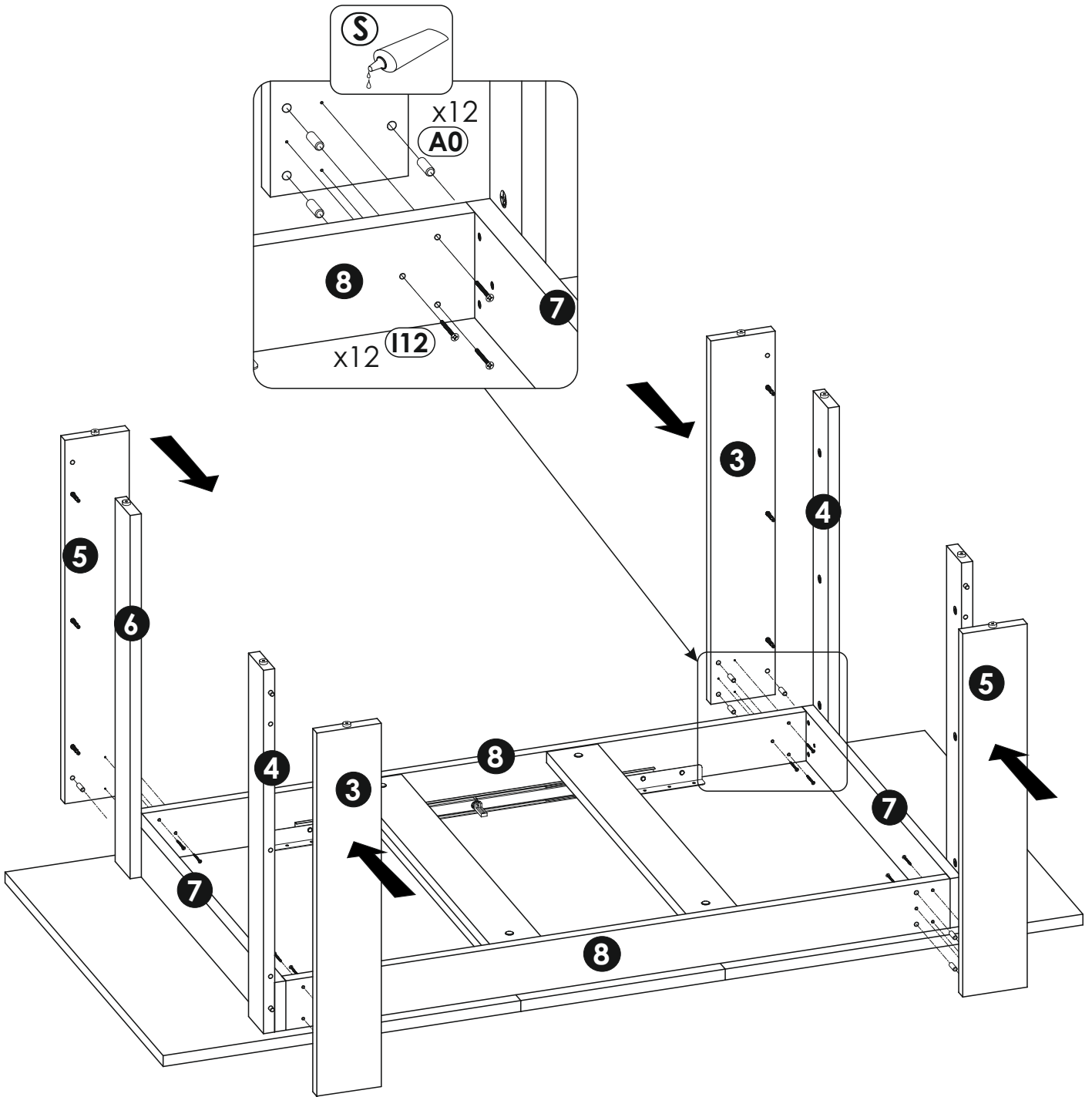


7 ▶

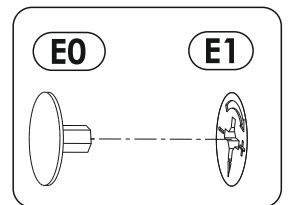


8 ▶

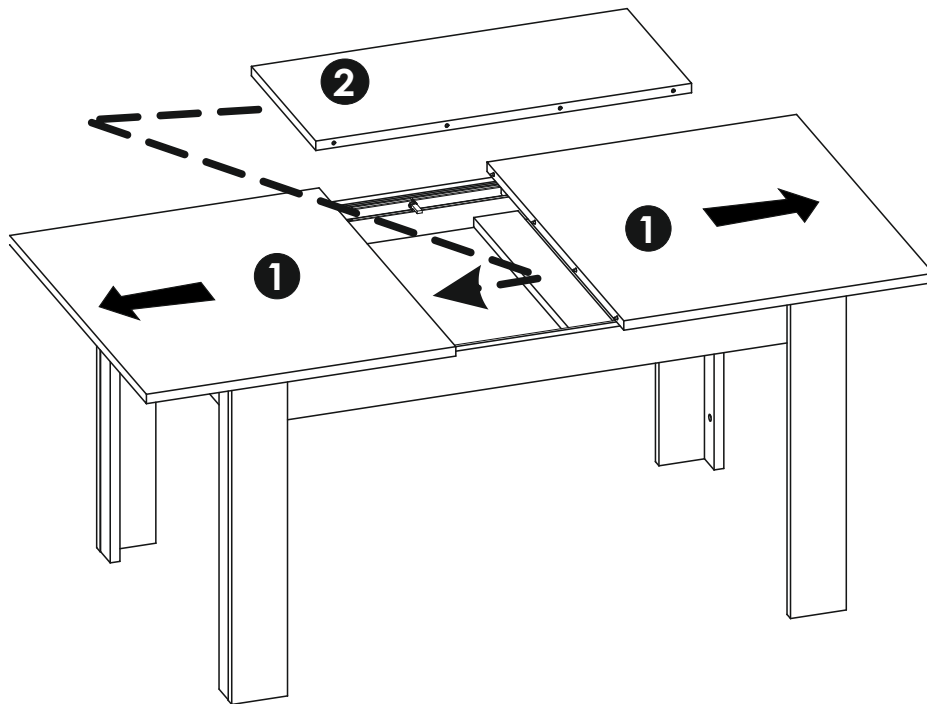




30min



10 ▶



11 ▶

