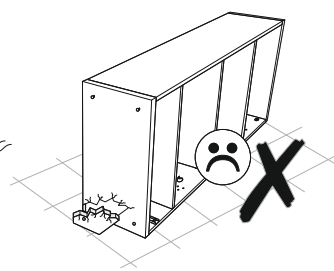
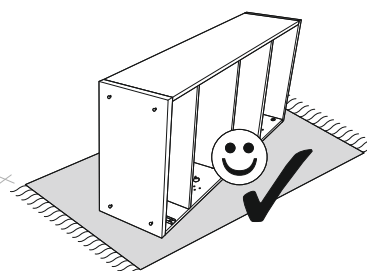
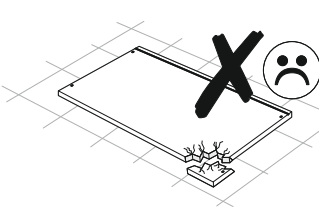
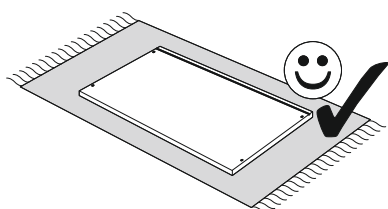
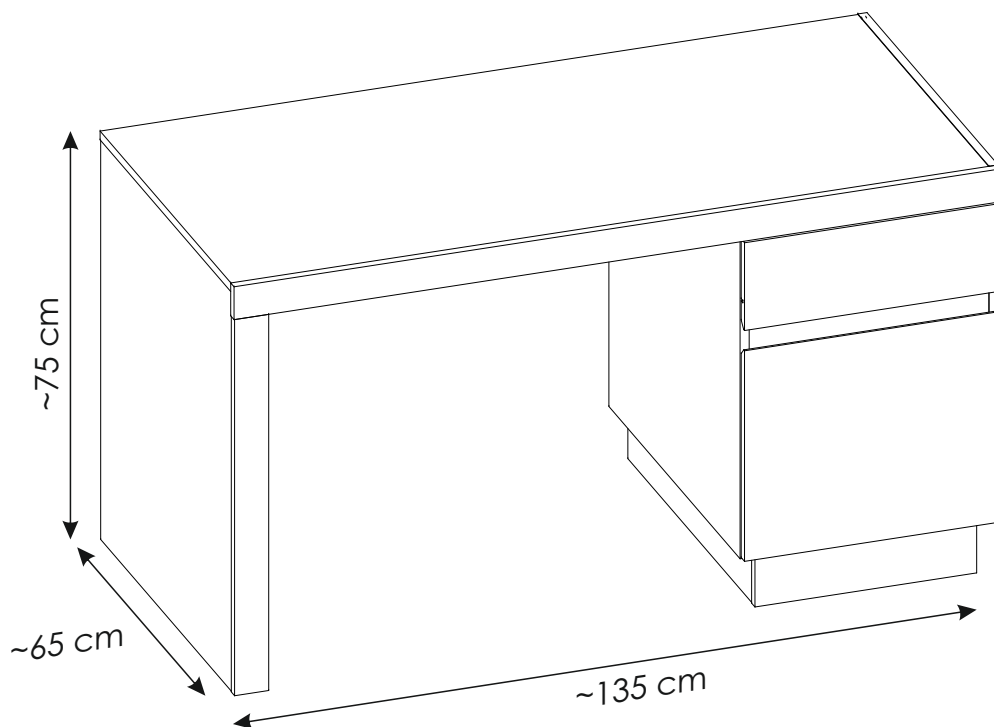
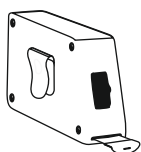
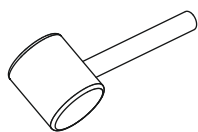
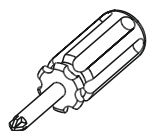
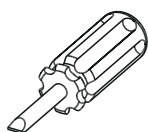
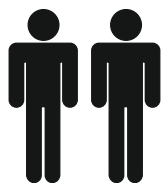
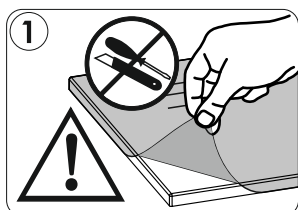
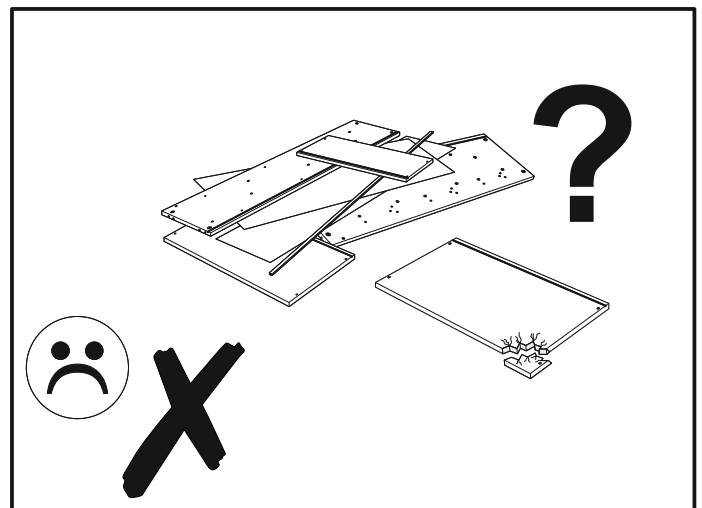
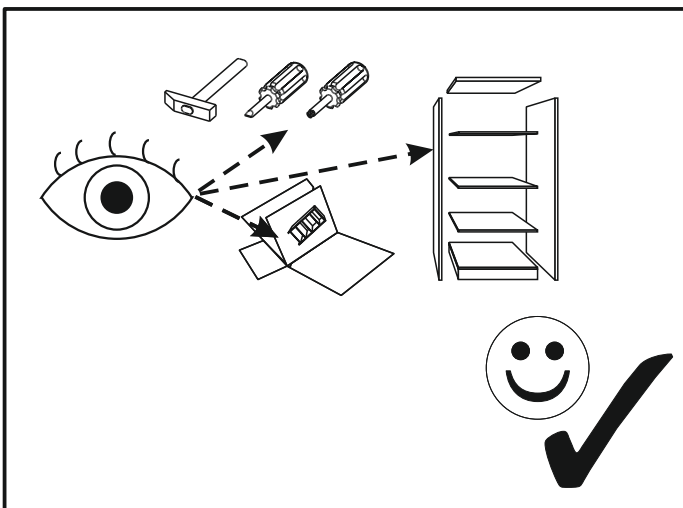
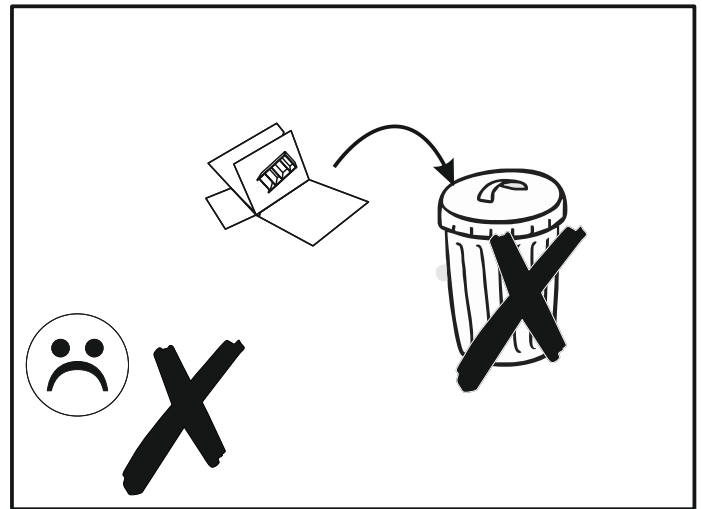
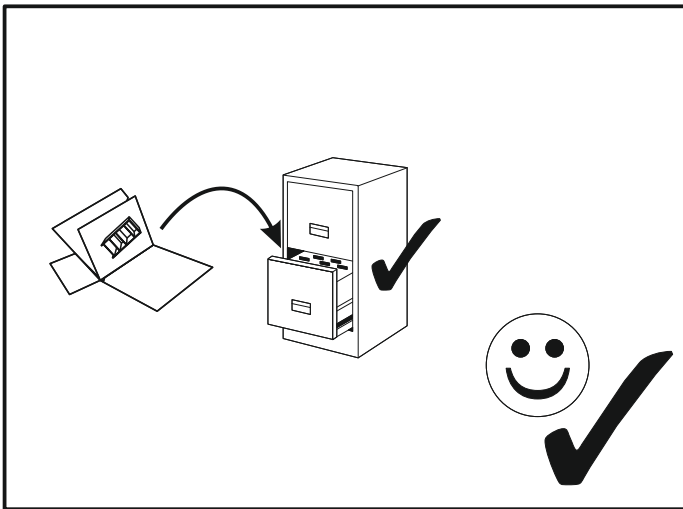
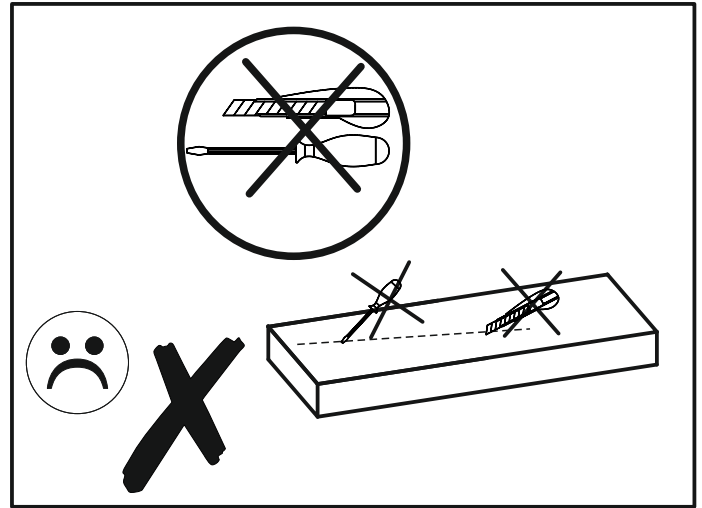
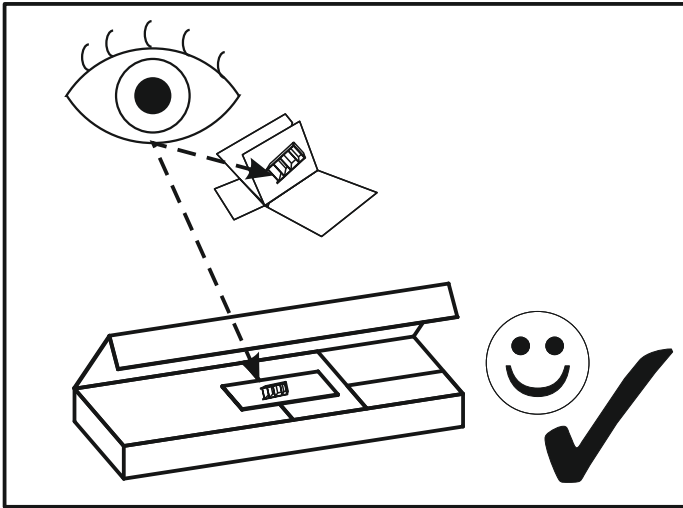


LYOB01



70 min

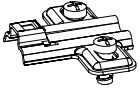




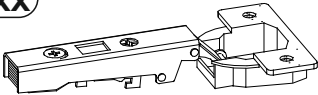


version A

BCxx

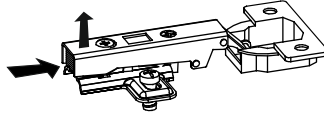


BCxx



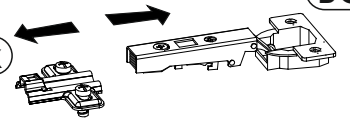
version B

BCxx + BCxx



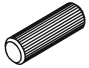

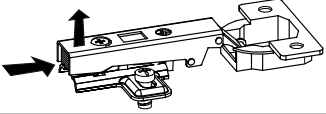


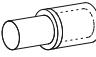
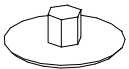

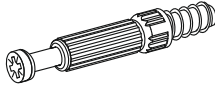

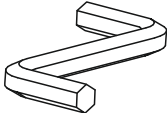
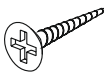
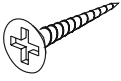
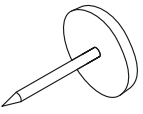
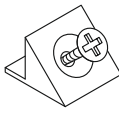
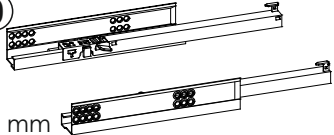
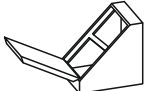
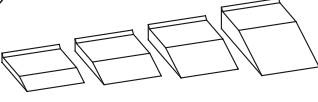
BCxx

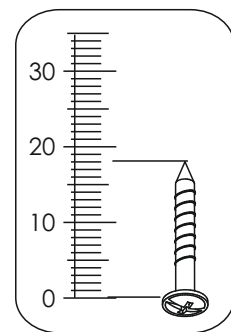
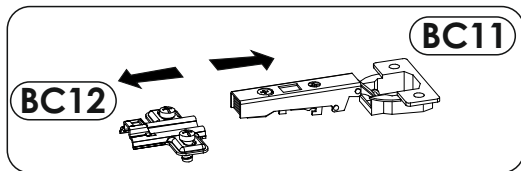
BCxx



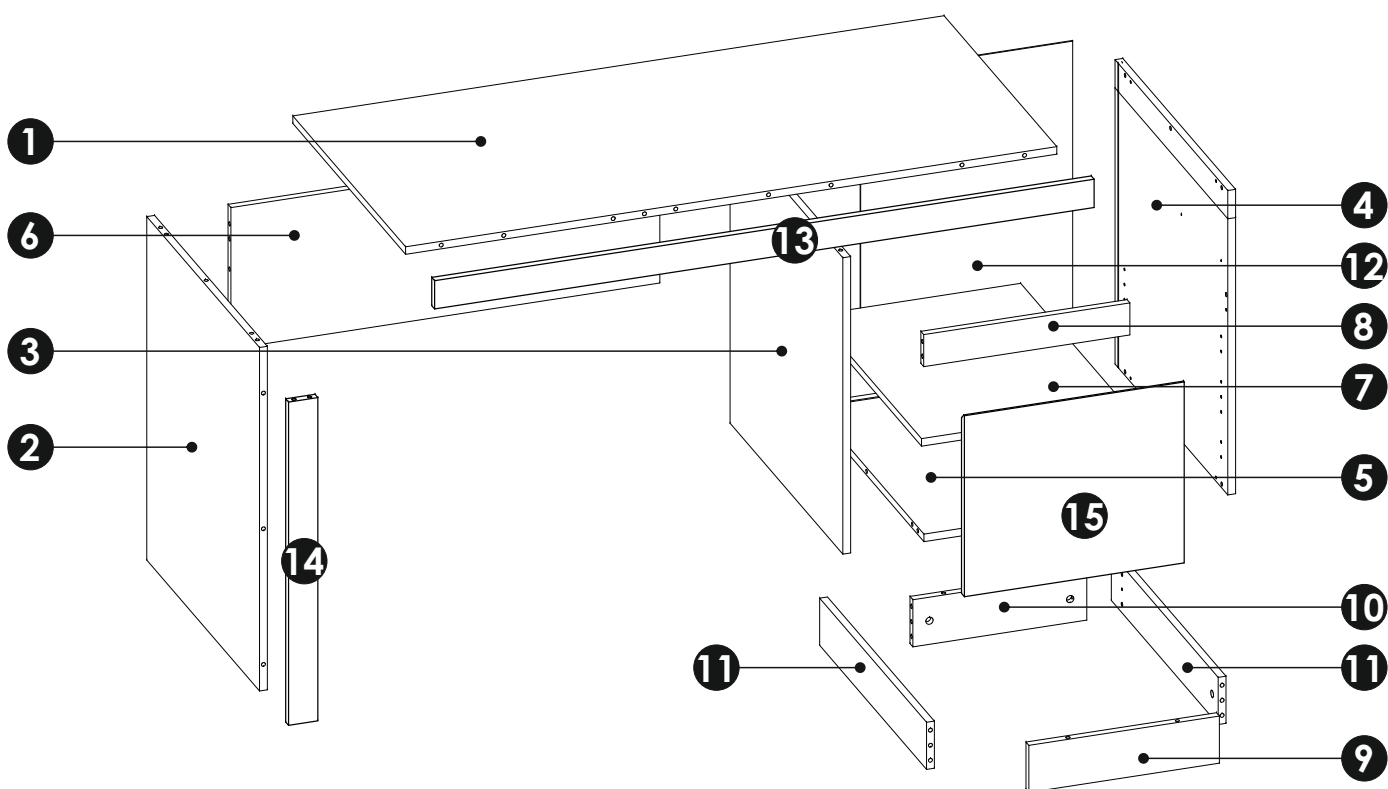
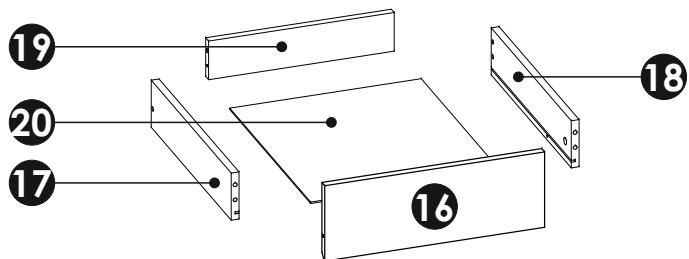
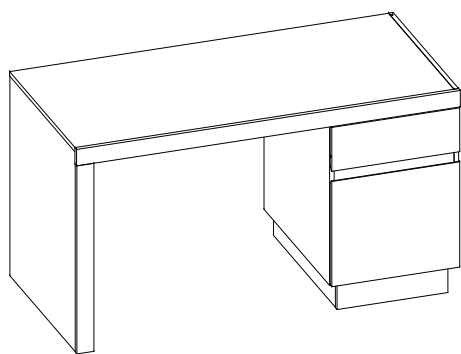
LYOB01

MM

A1 8 x 35 mm x42 	A2 8 x 45 mm x2 	BC12 + BC11 x2 
C1 4 x 13 mm x4 	C2 5 x 13 mm x4 	D2 x4 
E0 Ø16 x16 	E1 15 x 12 mm x31 	F1 6 x 34 mm x31 
G1 7 x 50 mm x2 	M x1 	N1 3 X 16 mm x5 
N2 3.5 X 16 mm x12 	O2 x6 	R4 x9 
T10 x1  L- 460 mm	W x6 	Z x1 



LYOB01



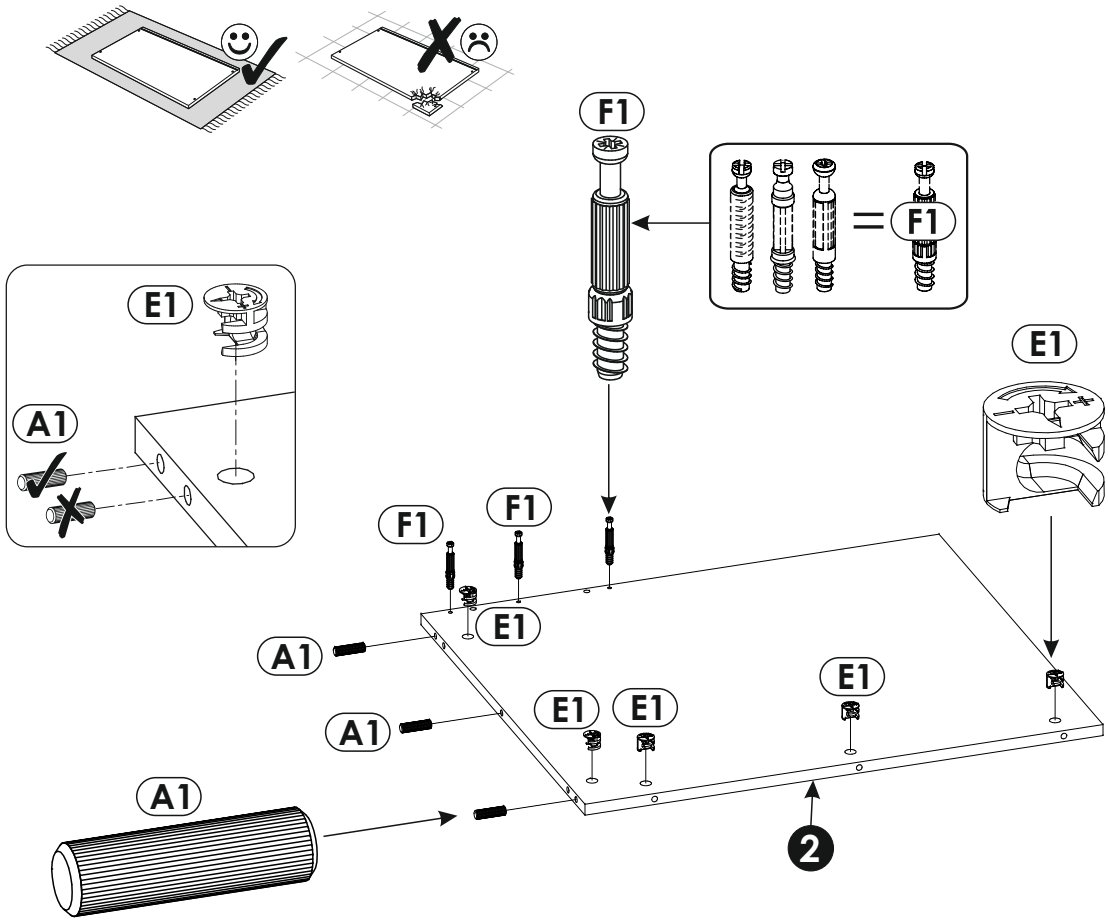
1	1333	634	16	x1	2/2
2	729	634	16	x1	2/2
3	629	634	16	x1	2/2
4	646	634	16	x1	2/2
5	422	634	16	x1	2/2
6	878	300	16	x1	1/2
7	421	599	16	x1	1/2
8	422	68	16	x1	1/2

9	390	100	16	x1	1/2
10	356	100	16	x1	1/2
11	601	100	16	x2	2/2
12	625	434	3	x1	1/2
13	1350	60	16	x1	1/2
14	686	60	16	x1	1/2
15	450	384	16	x1	1/2
16	450	160	16	x1	1/2

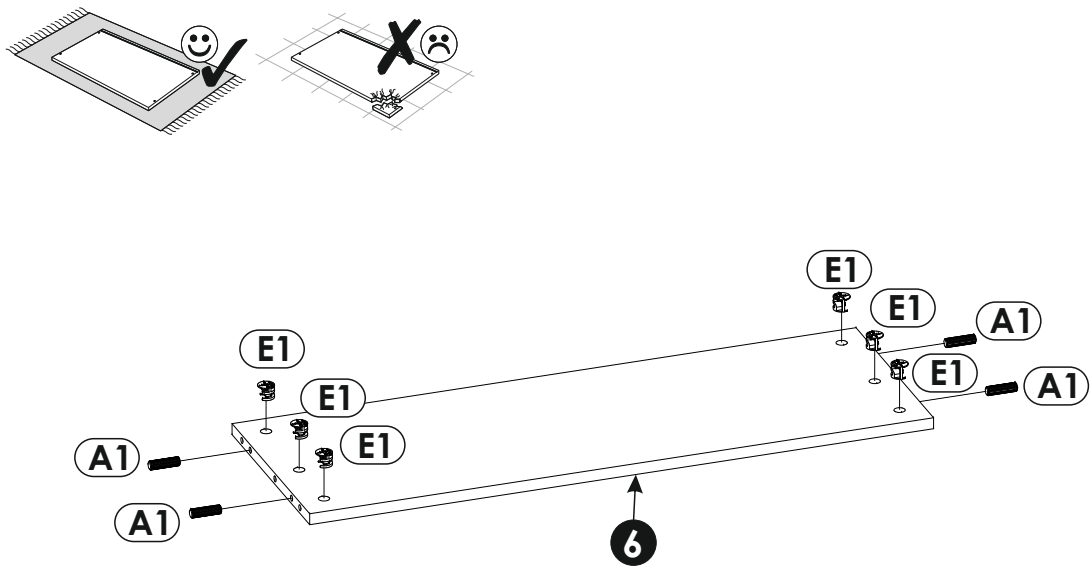
17	450	100	16	x1	1/2
18	450	100	16	x1	1/2
19	380	82	16	x1	1/2
20	392	455	3	x1	1/2



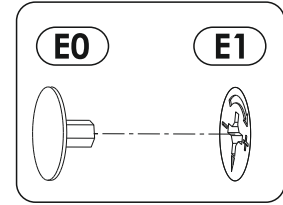
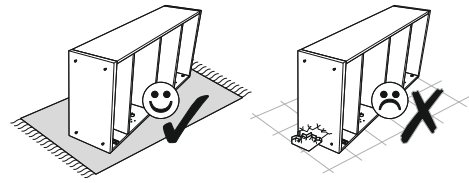
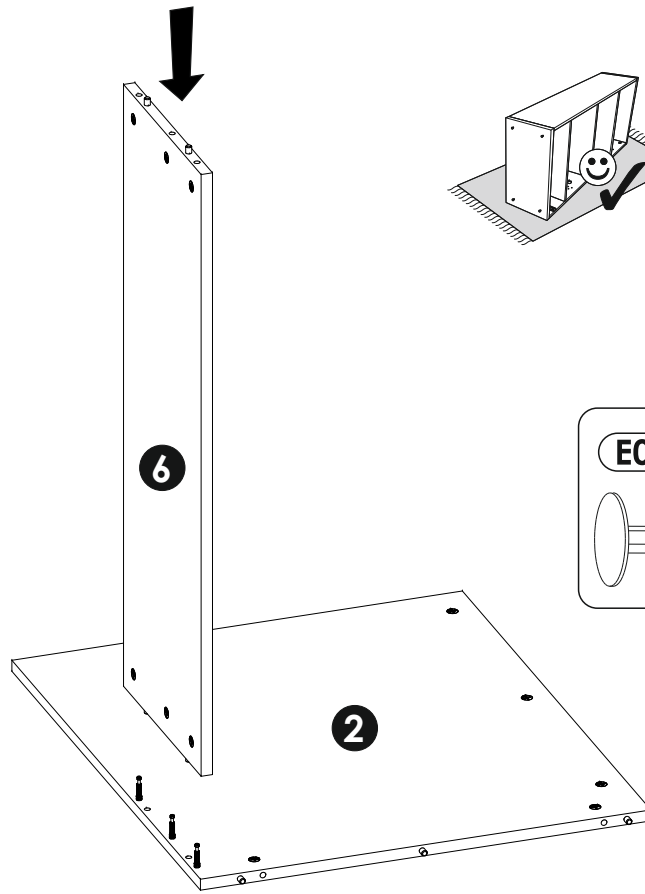
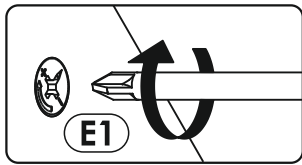
1 ▶



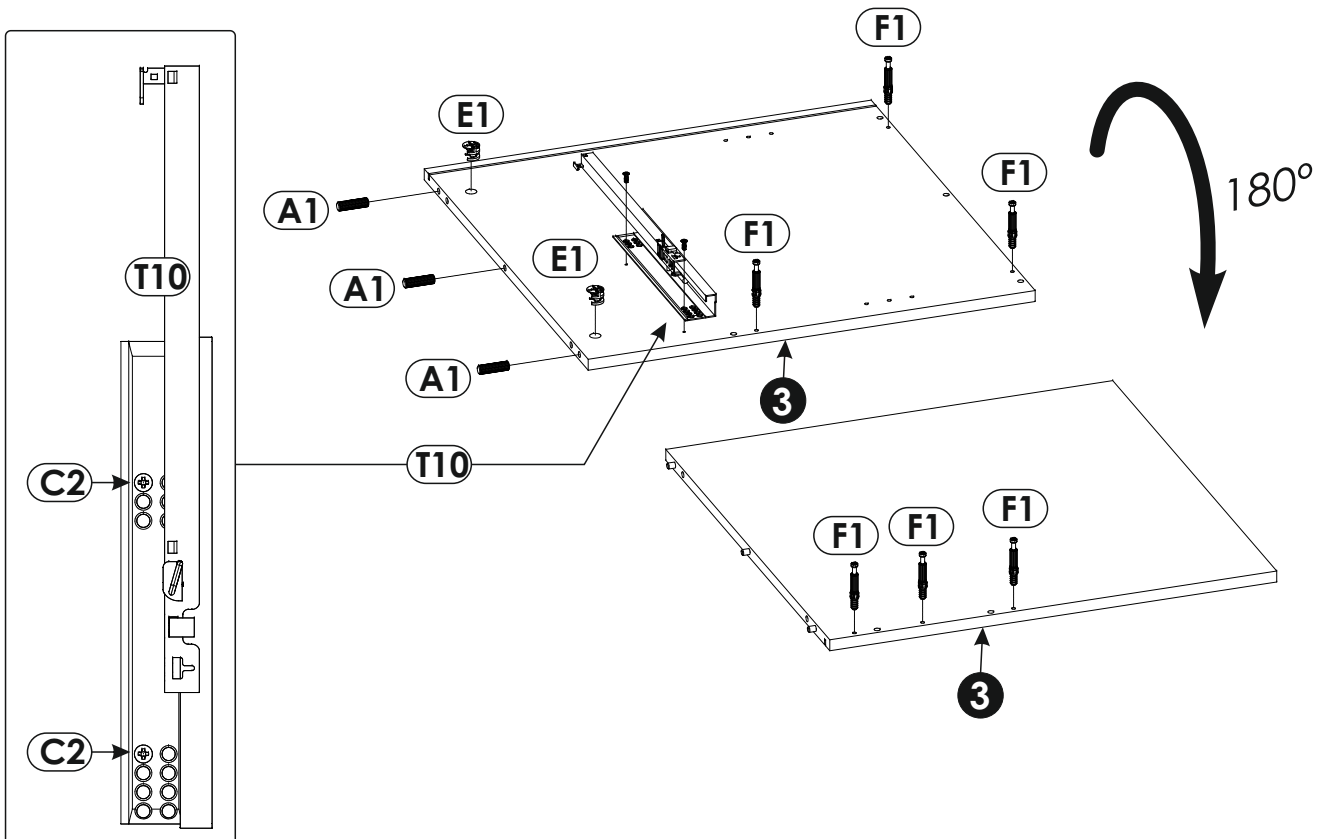
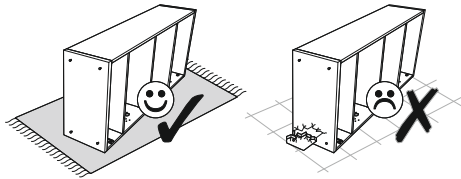
2 ▶

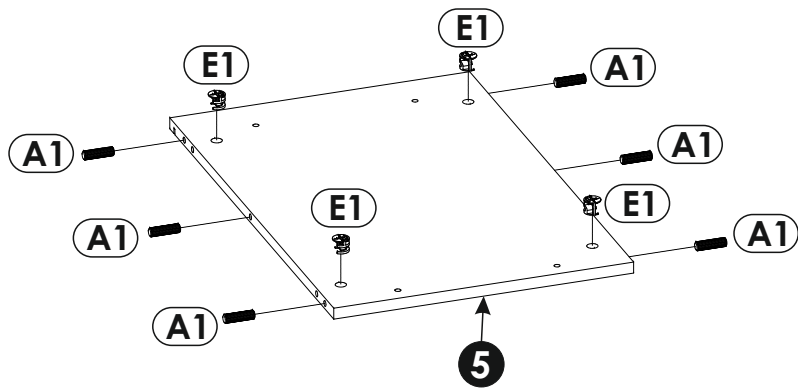
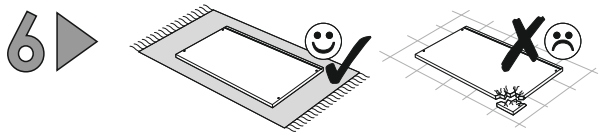
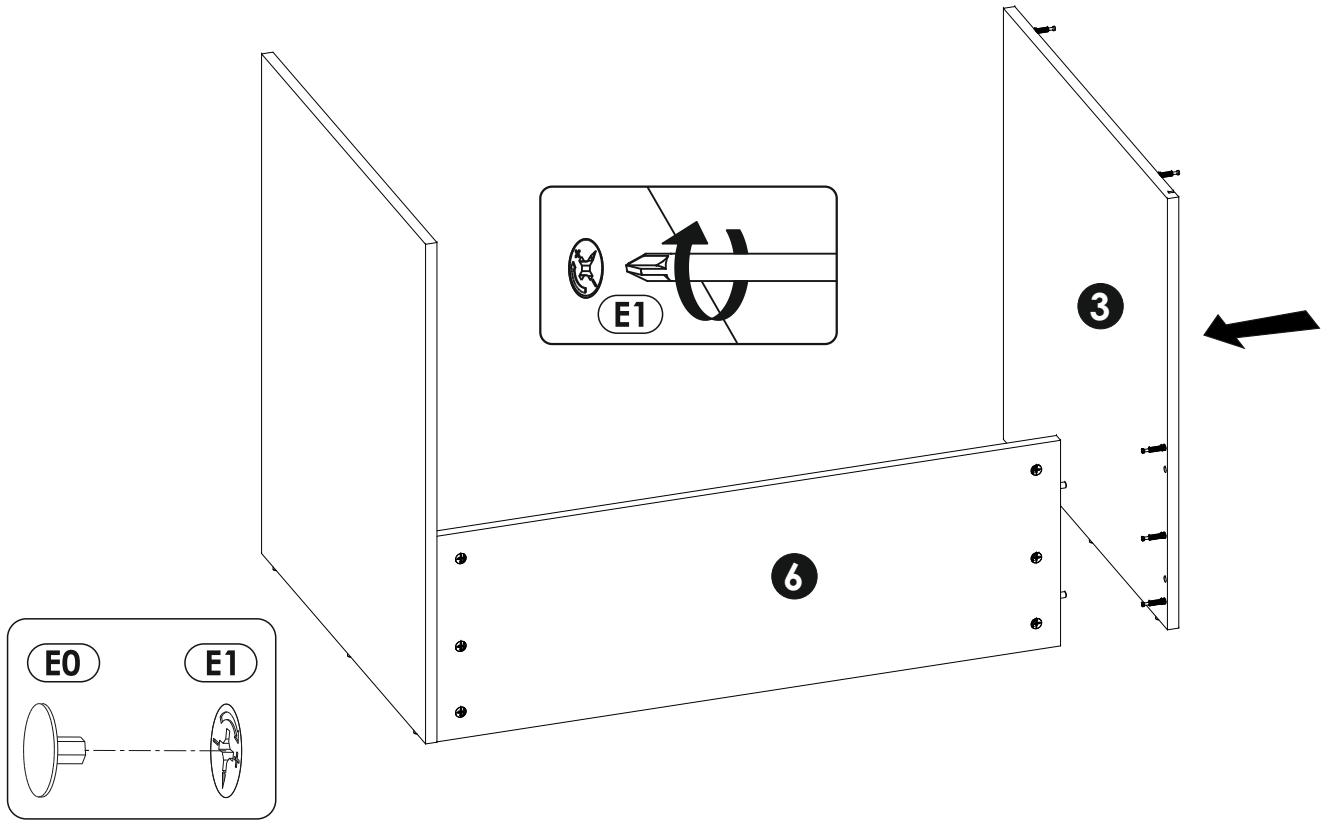
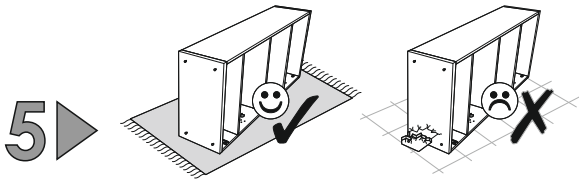


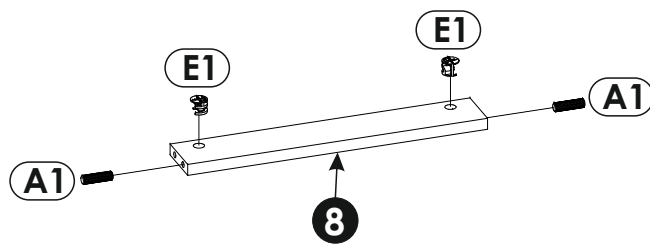
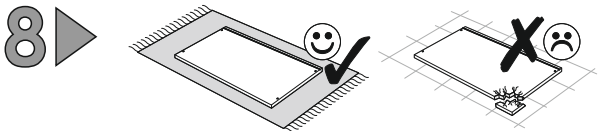
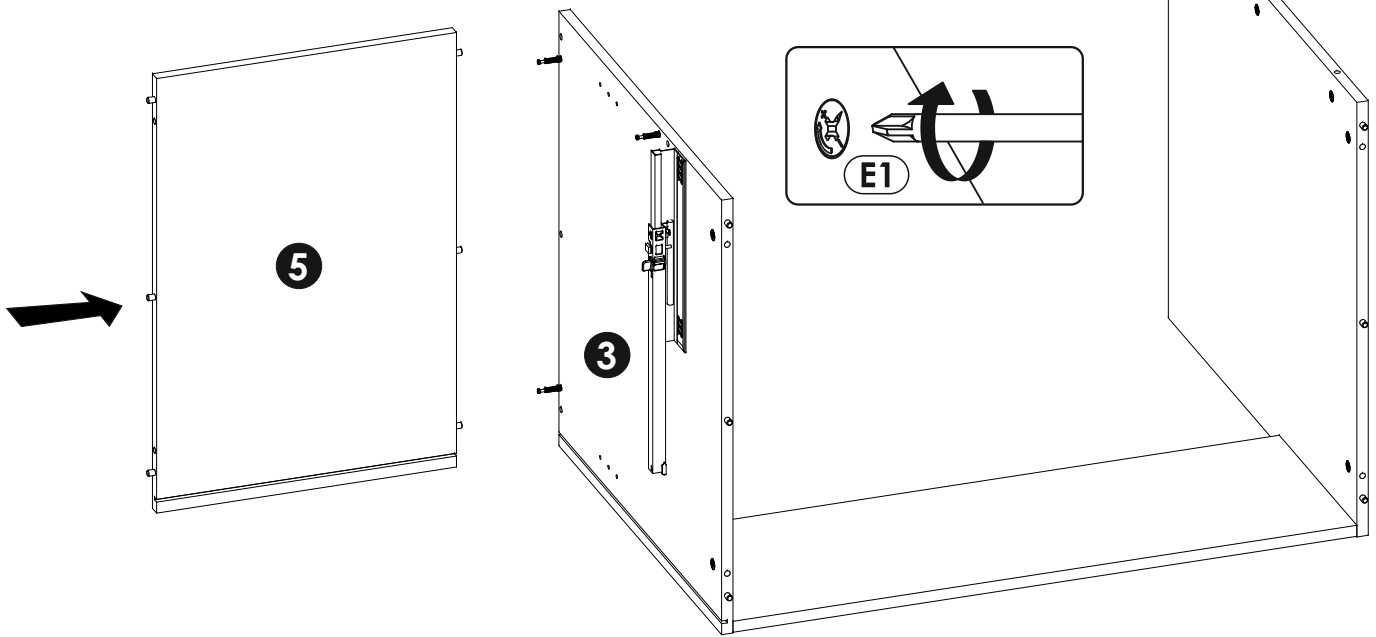
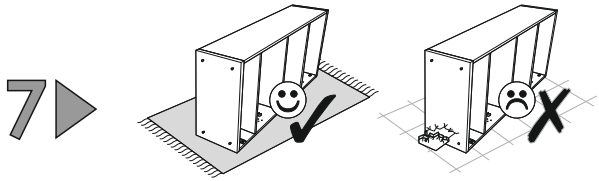
3 ▶

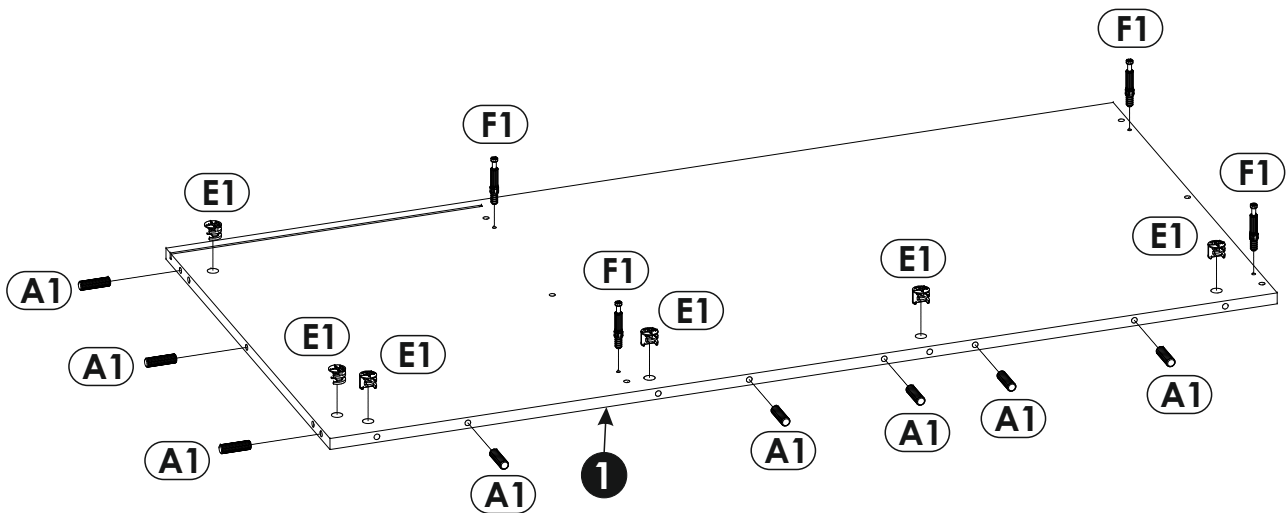
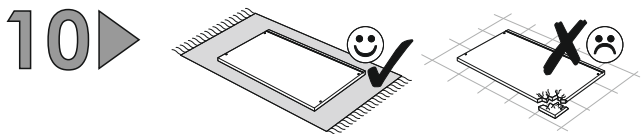
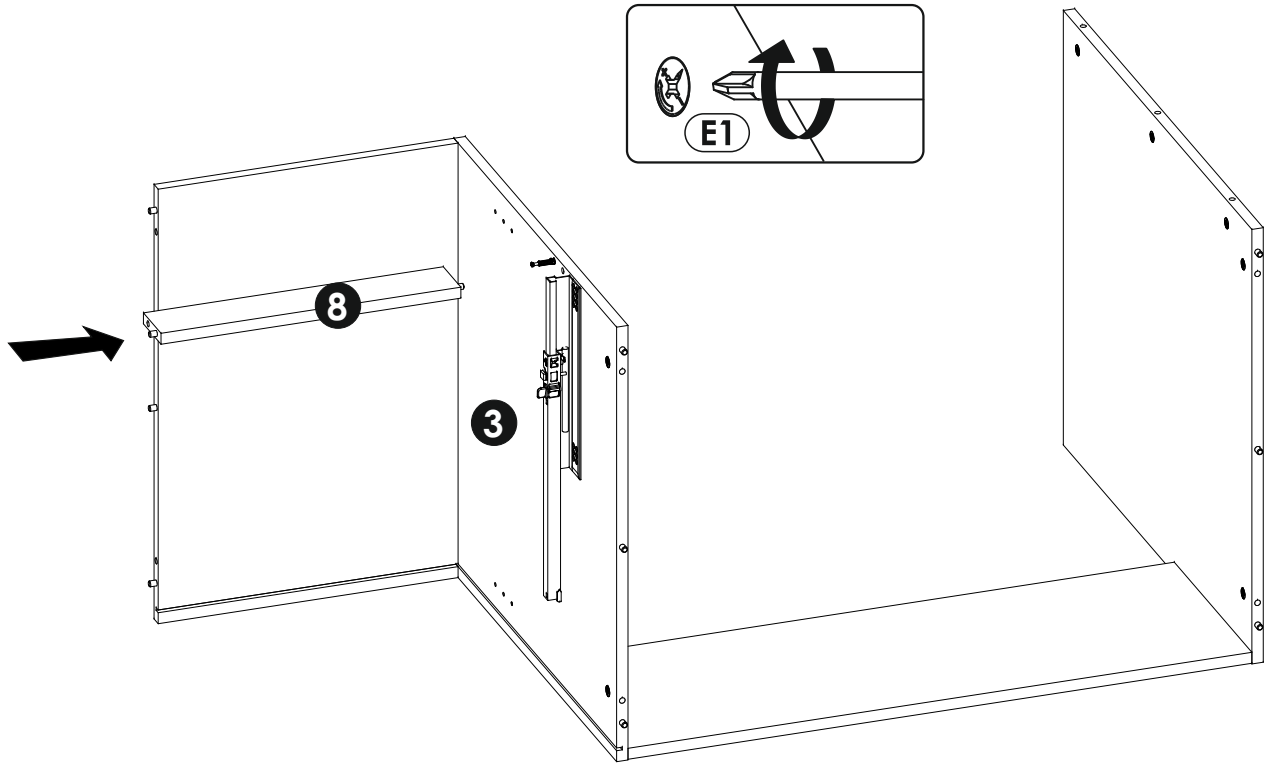
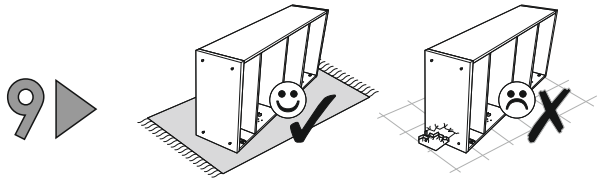


4 ▶

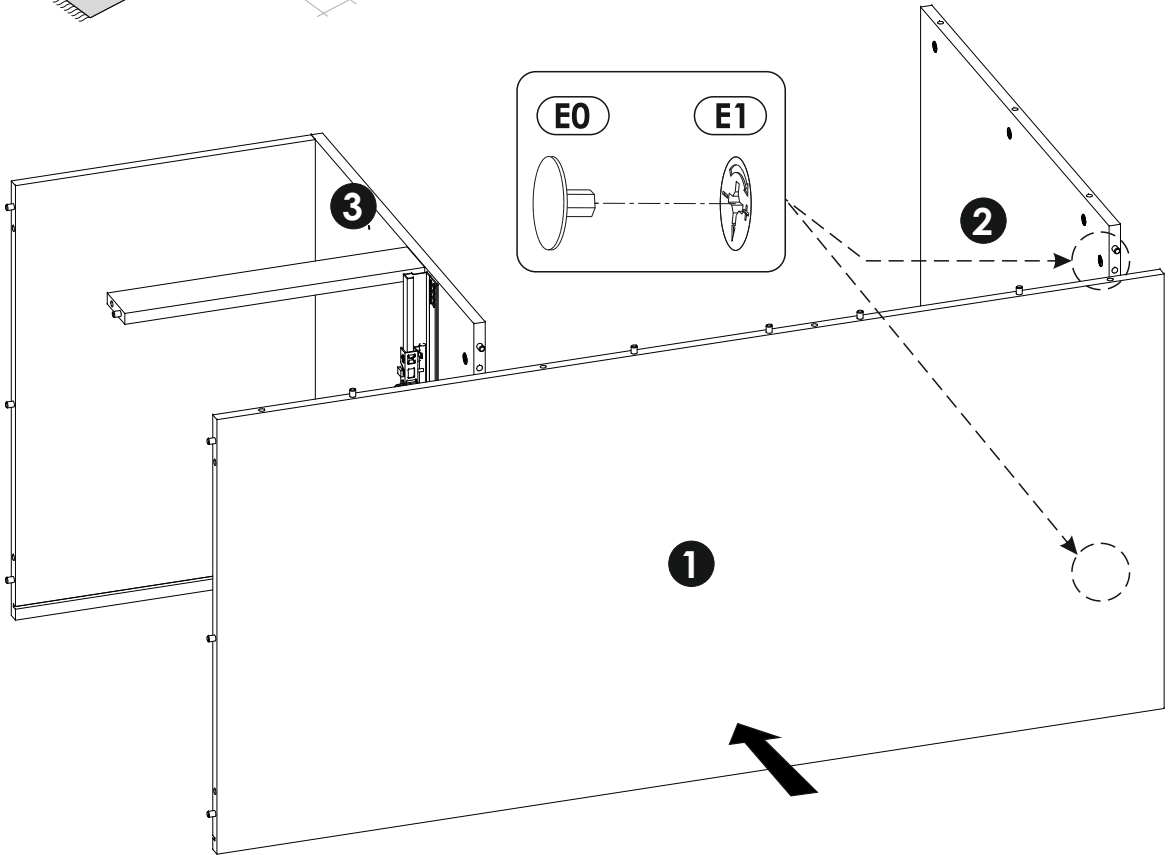
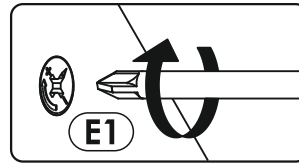
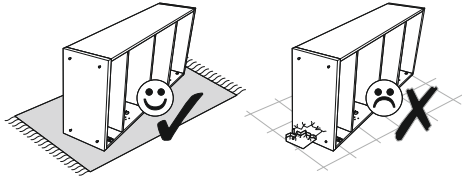




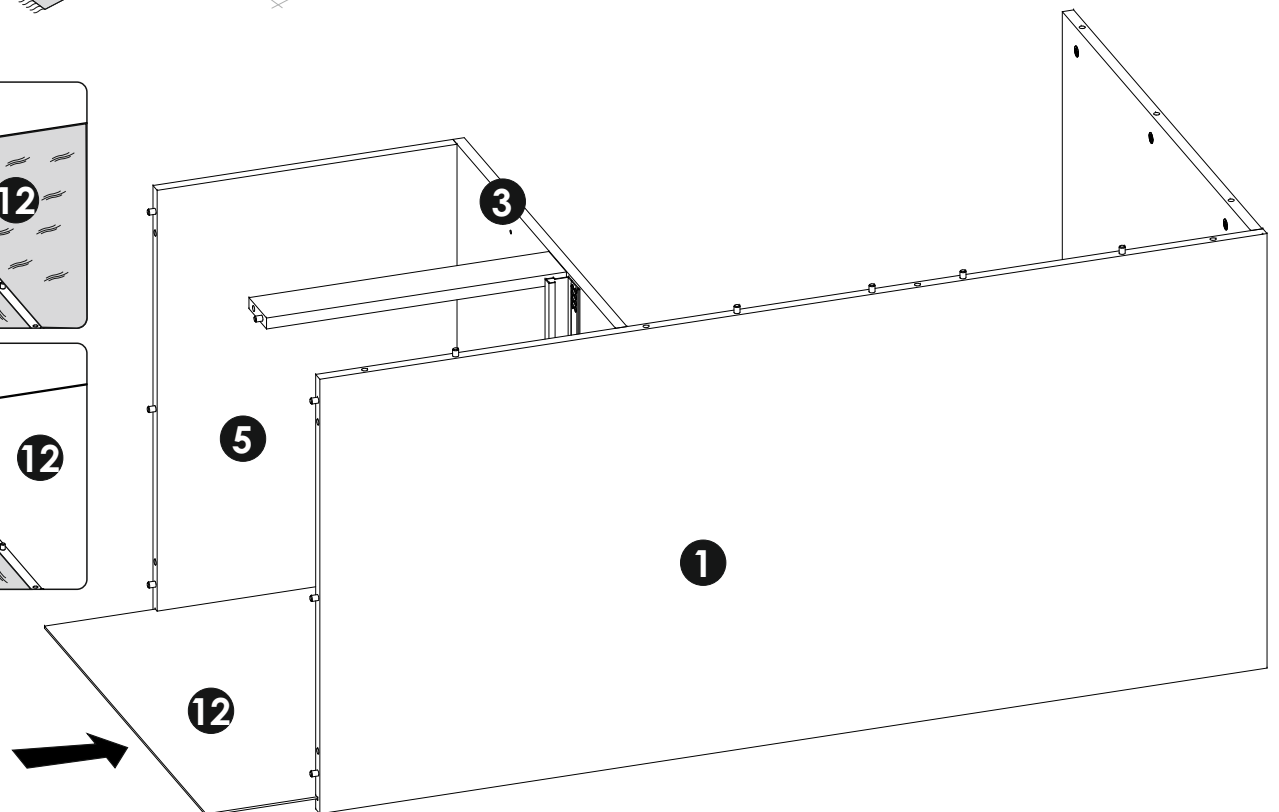
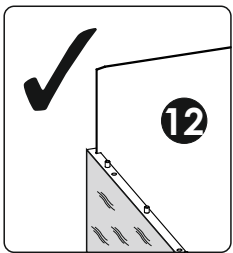
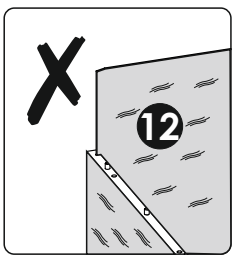
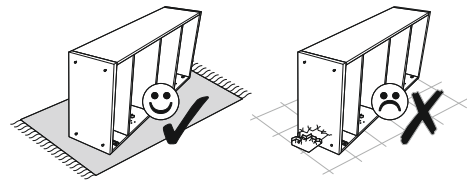




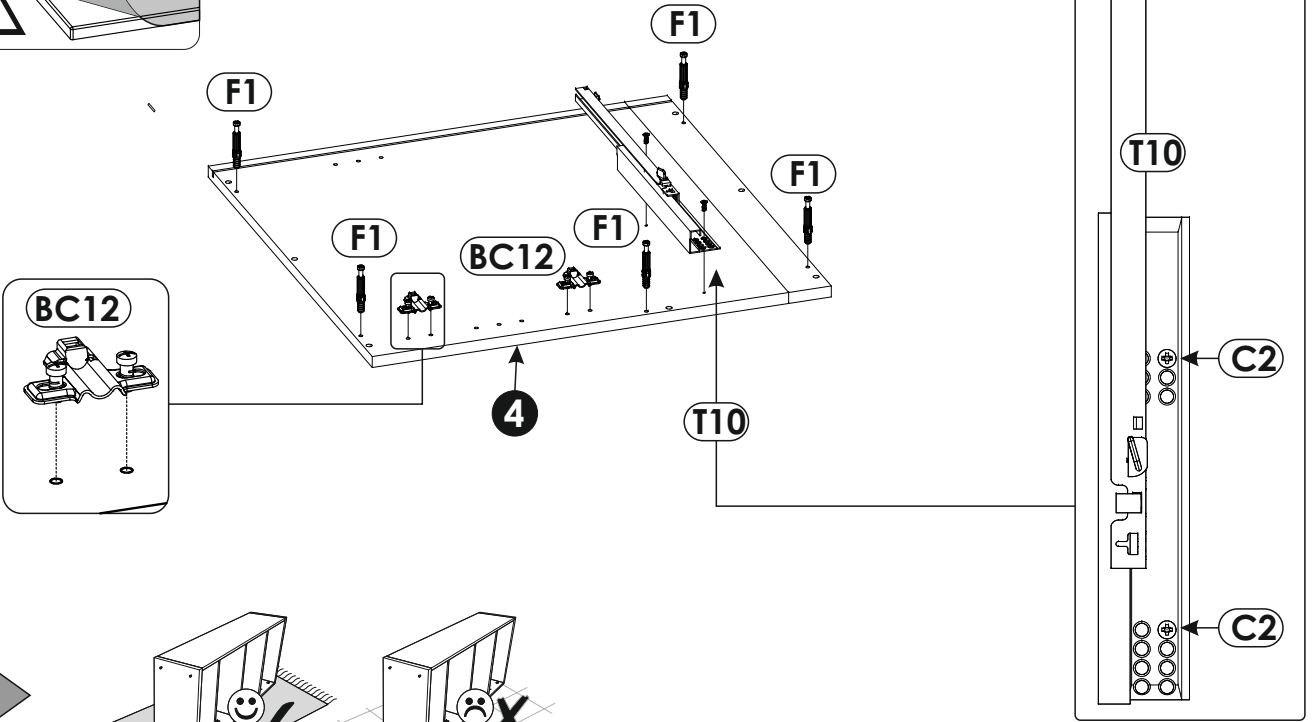
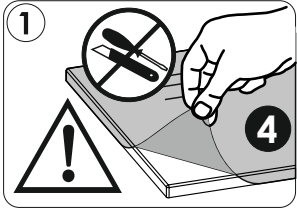
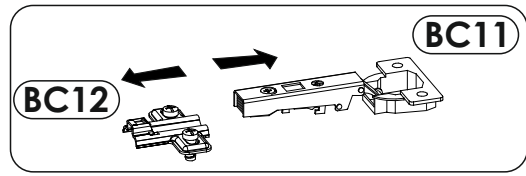
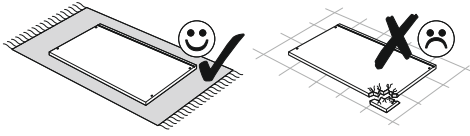
11 ▶



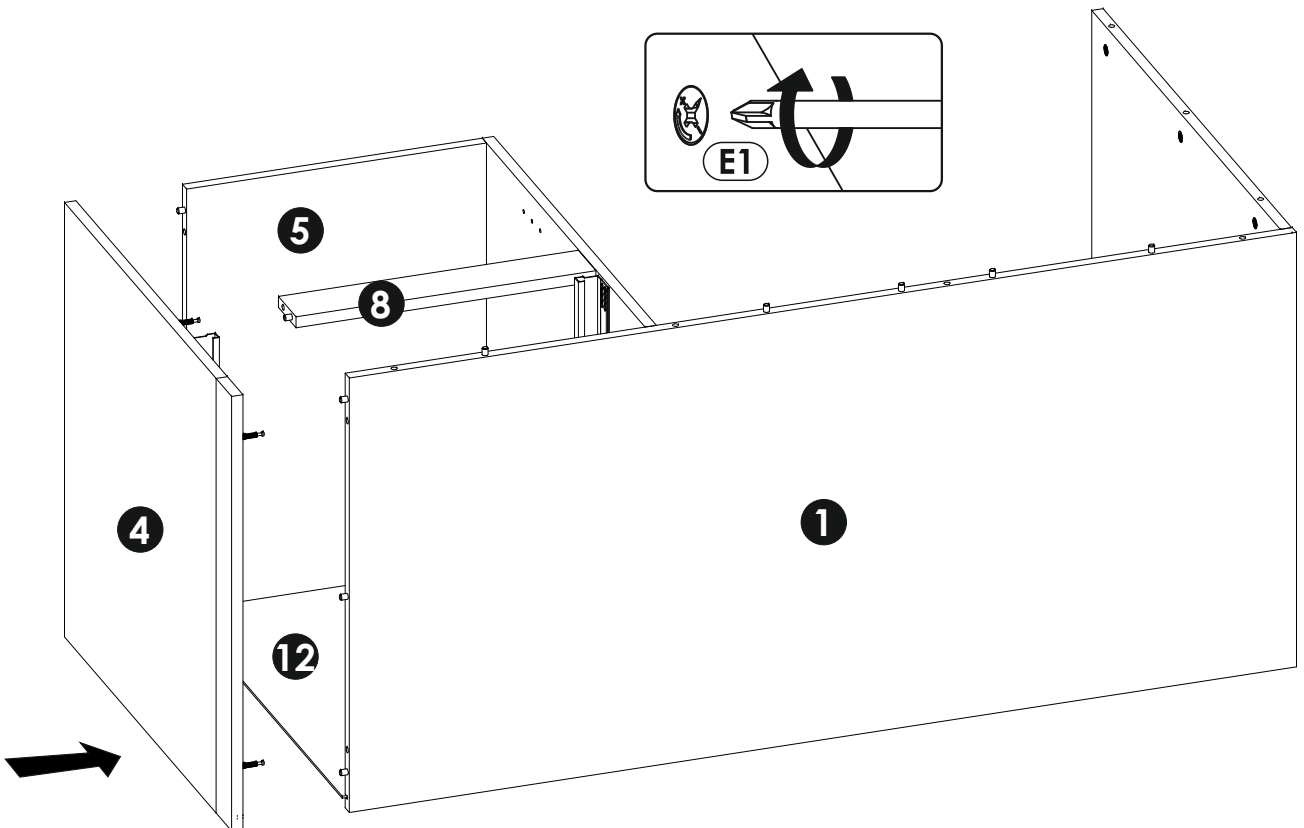
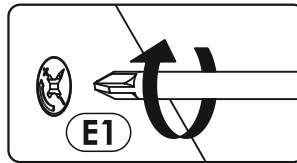
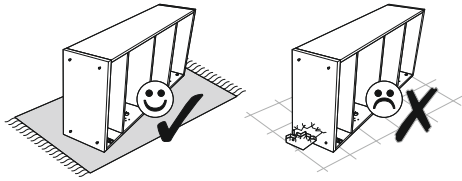
12 ▶



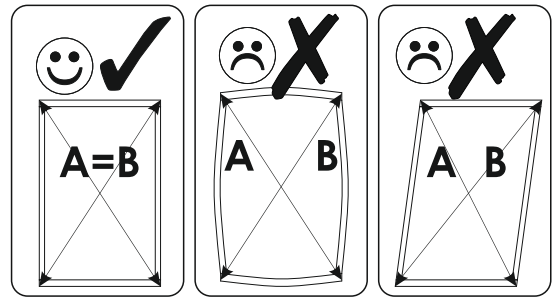
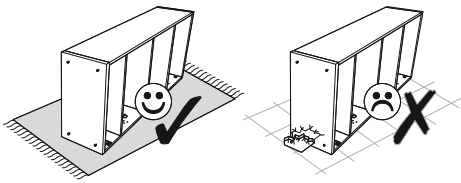
13 ▶



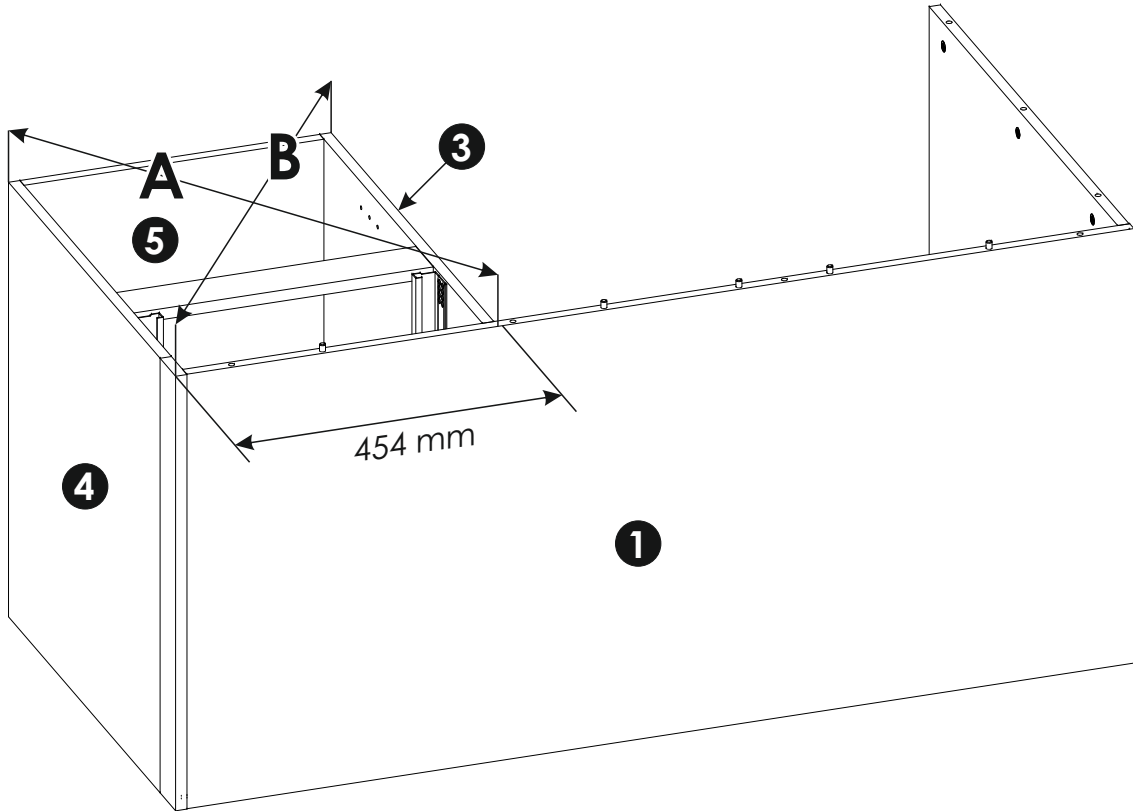
14 ▶



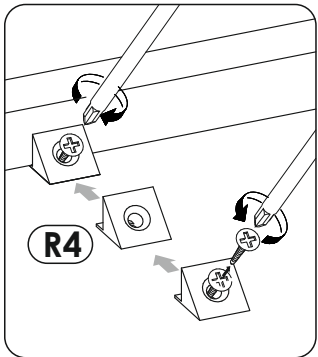
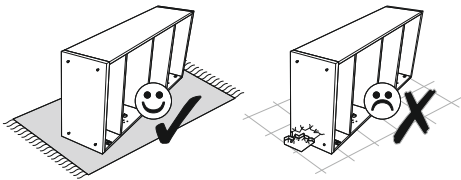
15 ▶



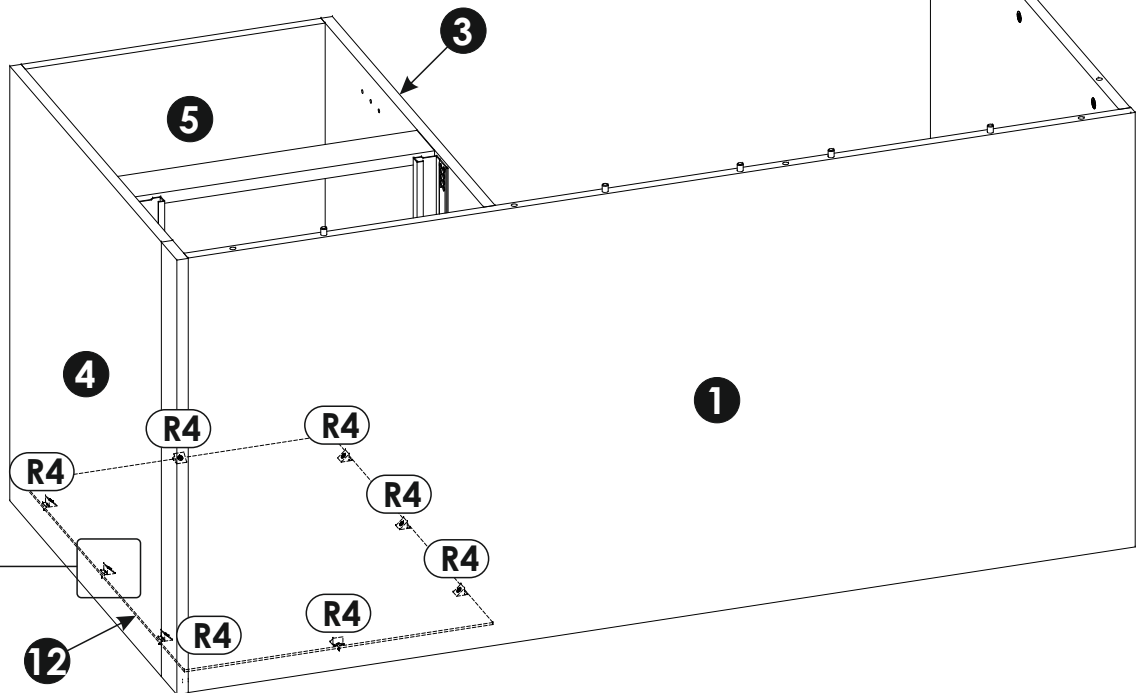
A=B



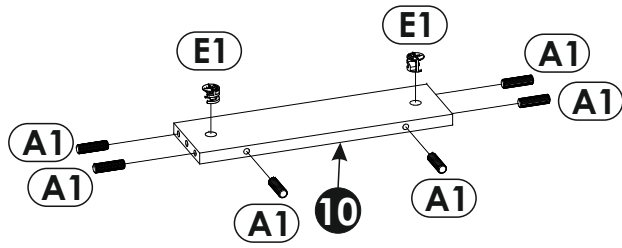
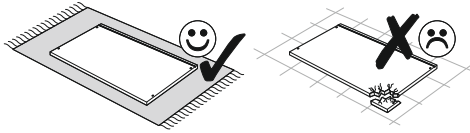
16 ▶



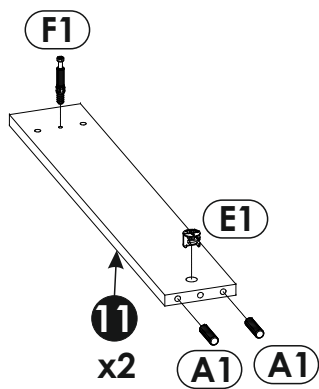
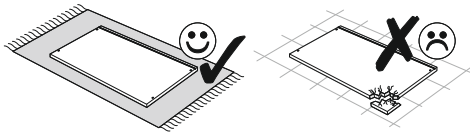
x8



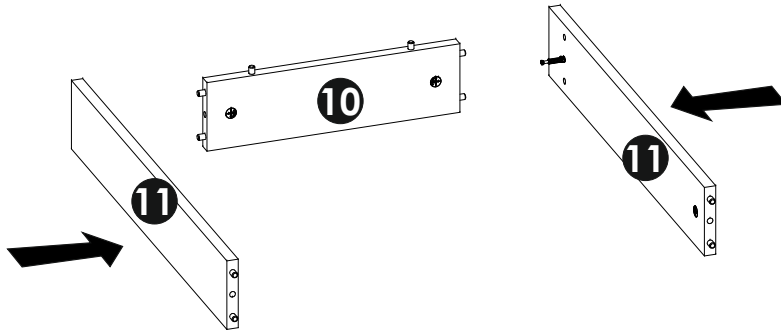
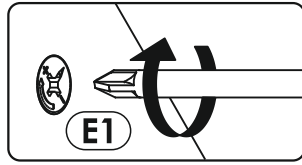
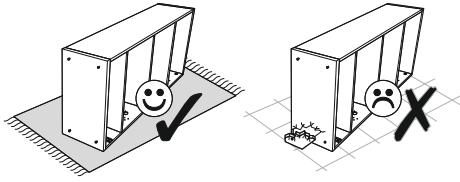
17▶



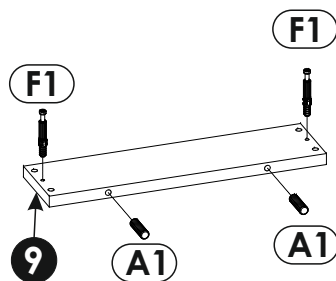
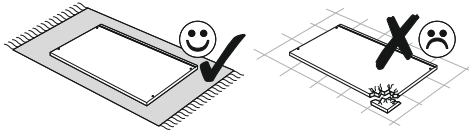
18▶



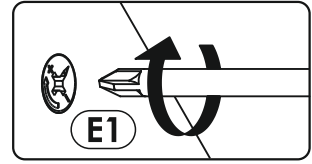
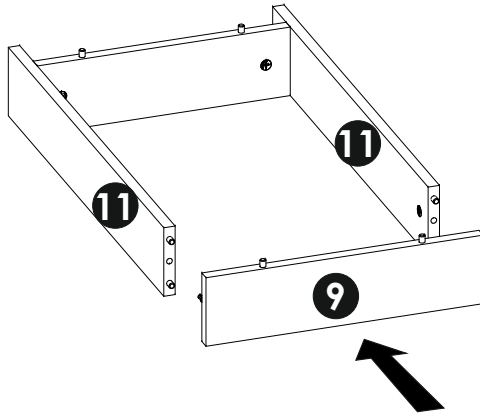
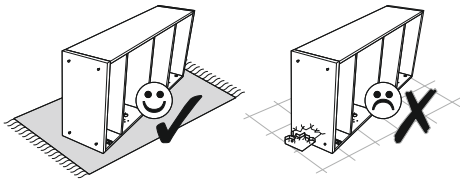
19▶



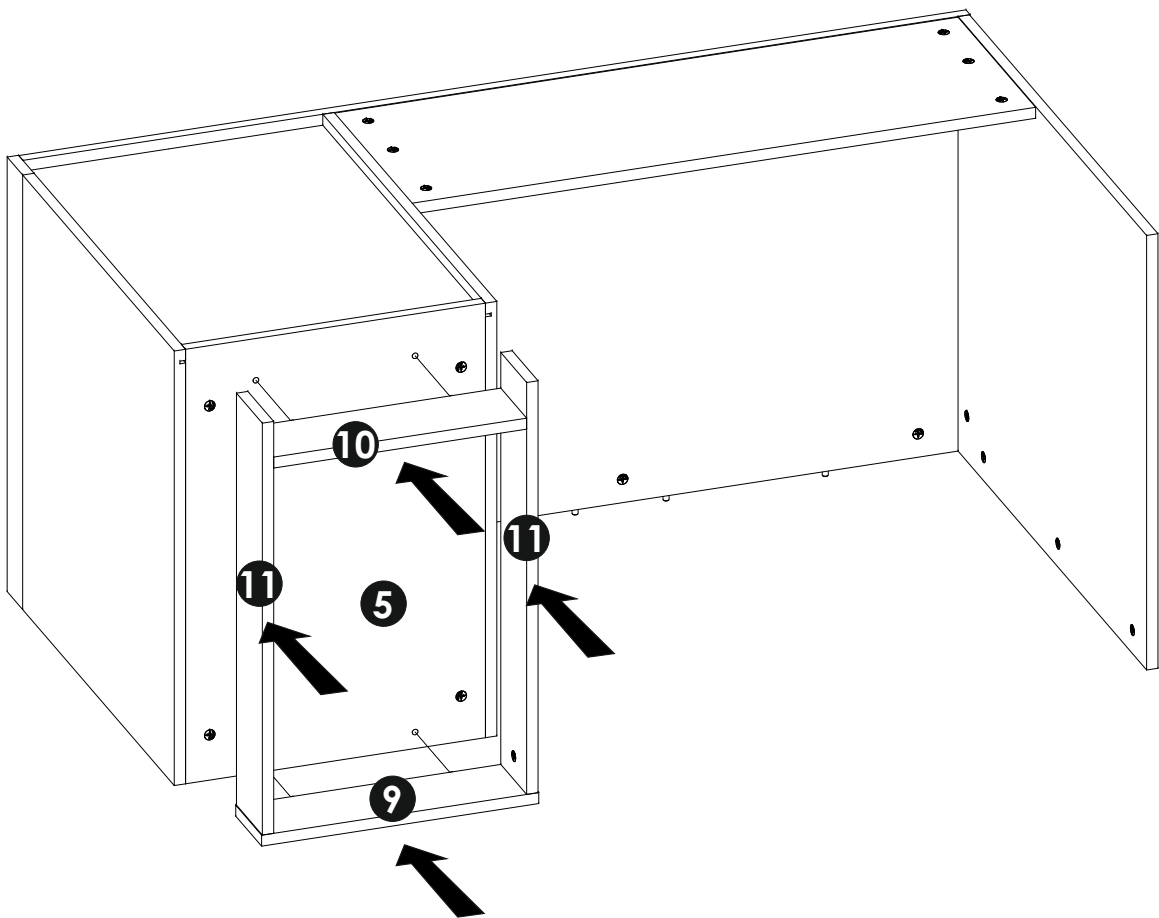
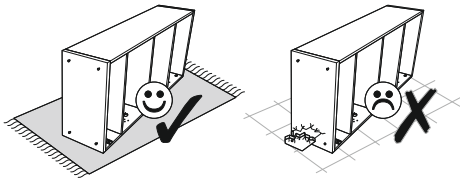
20▶



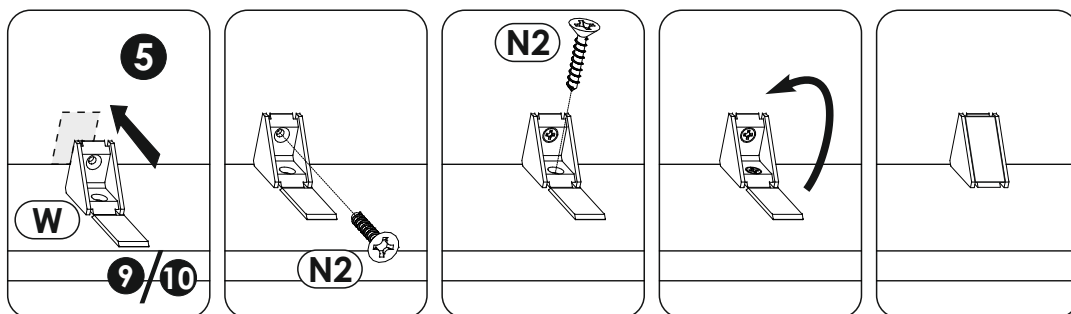
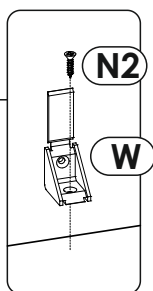
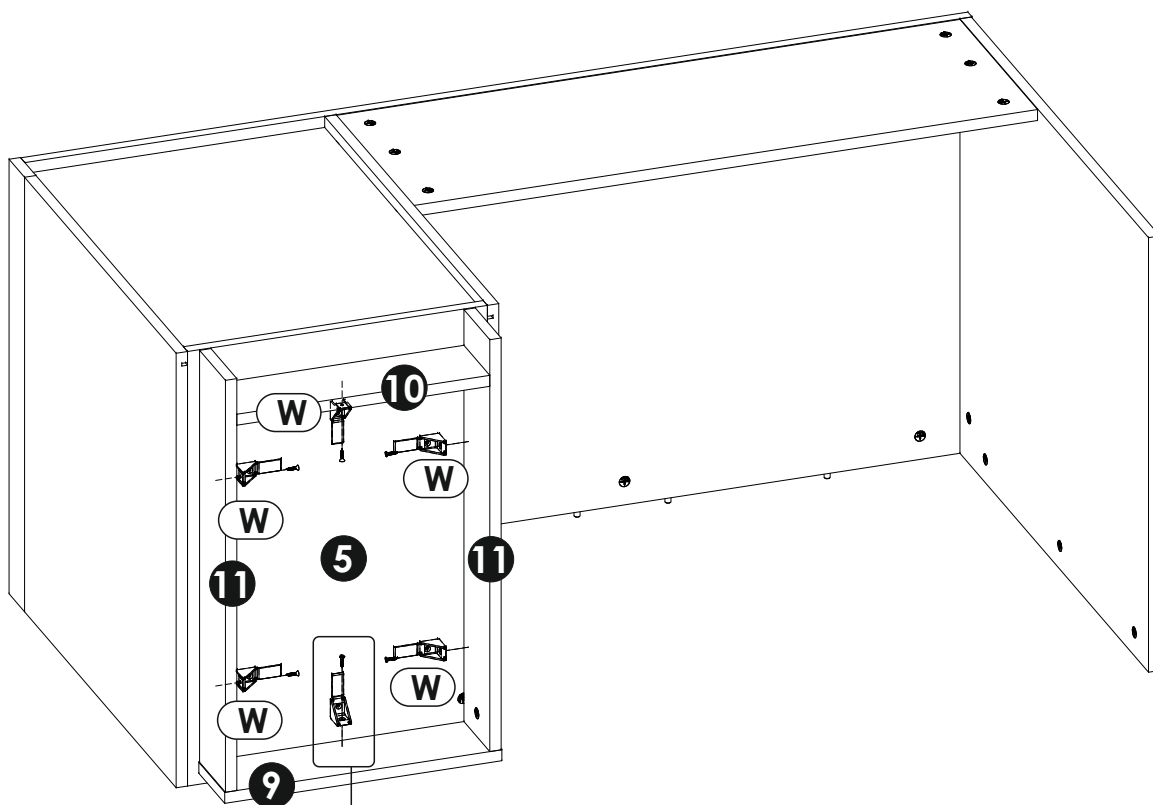
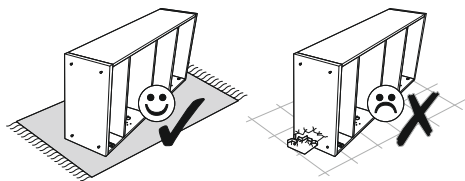
21 ▶



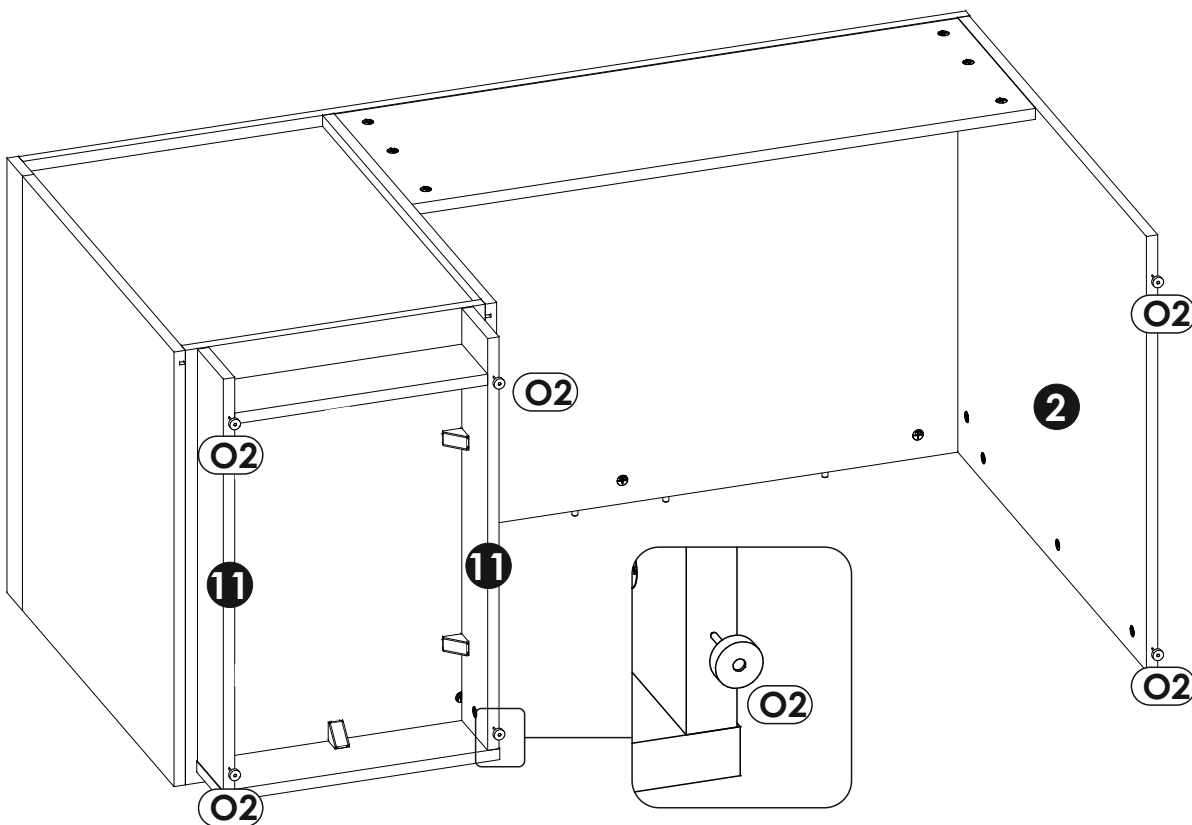
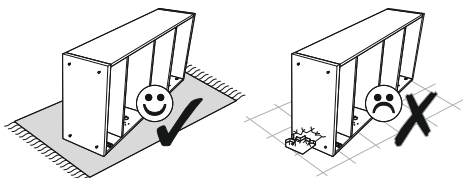
22 ▶



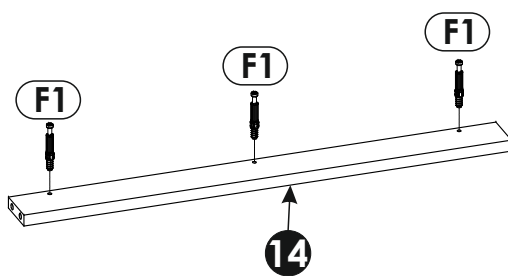
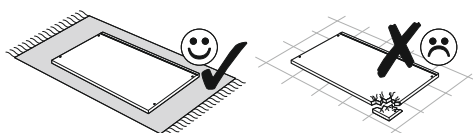
23 ▶



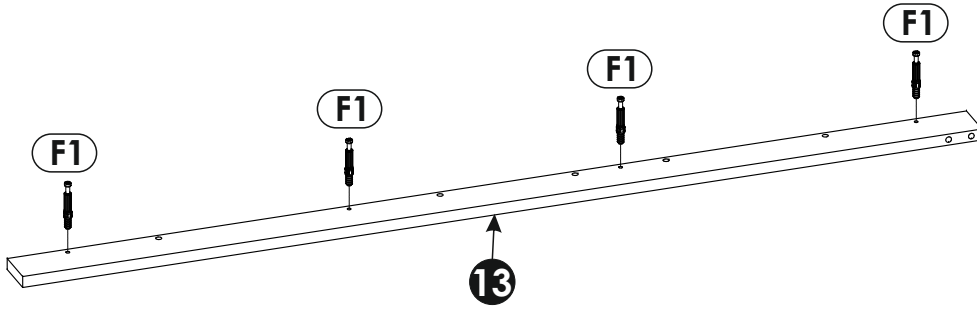
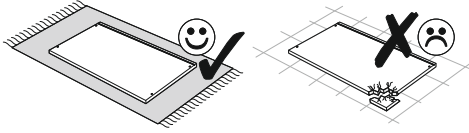
24 ▶



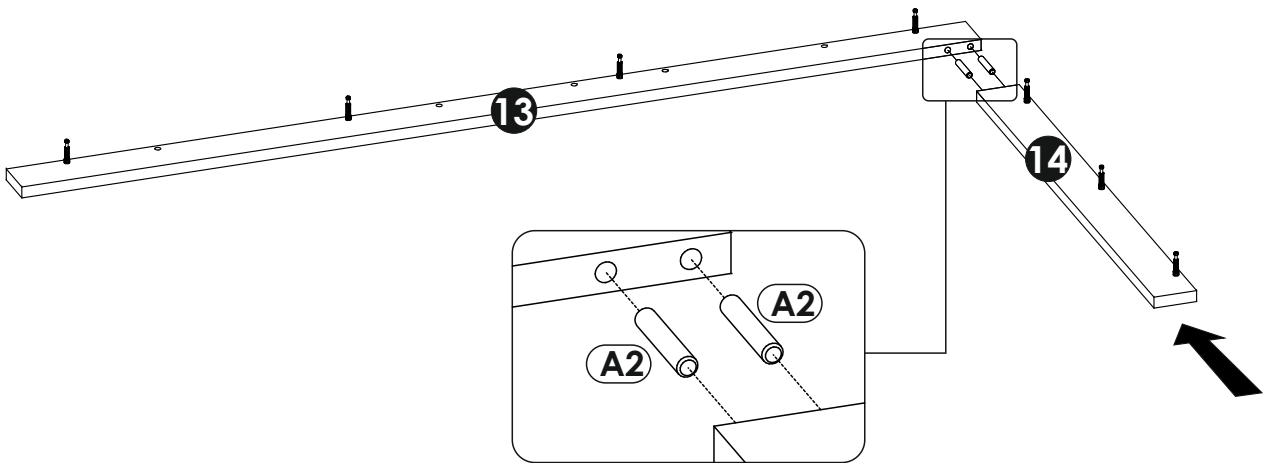
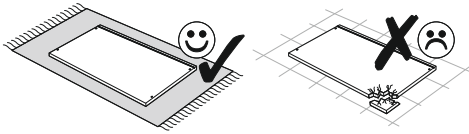
25 ▶



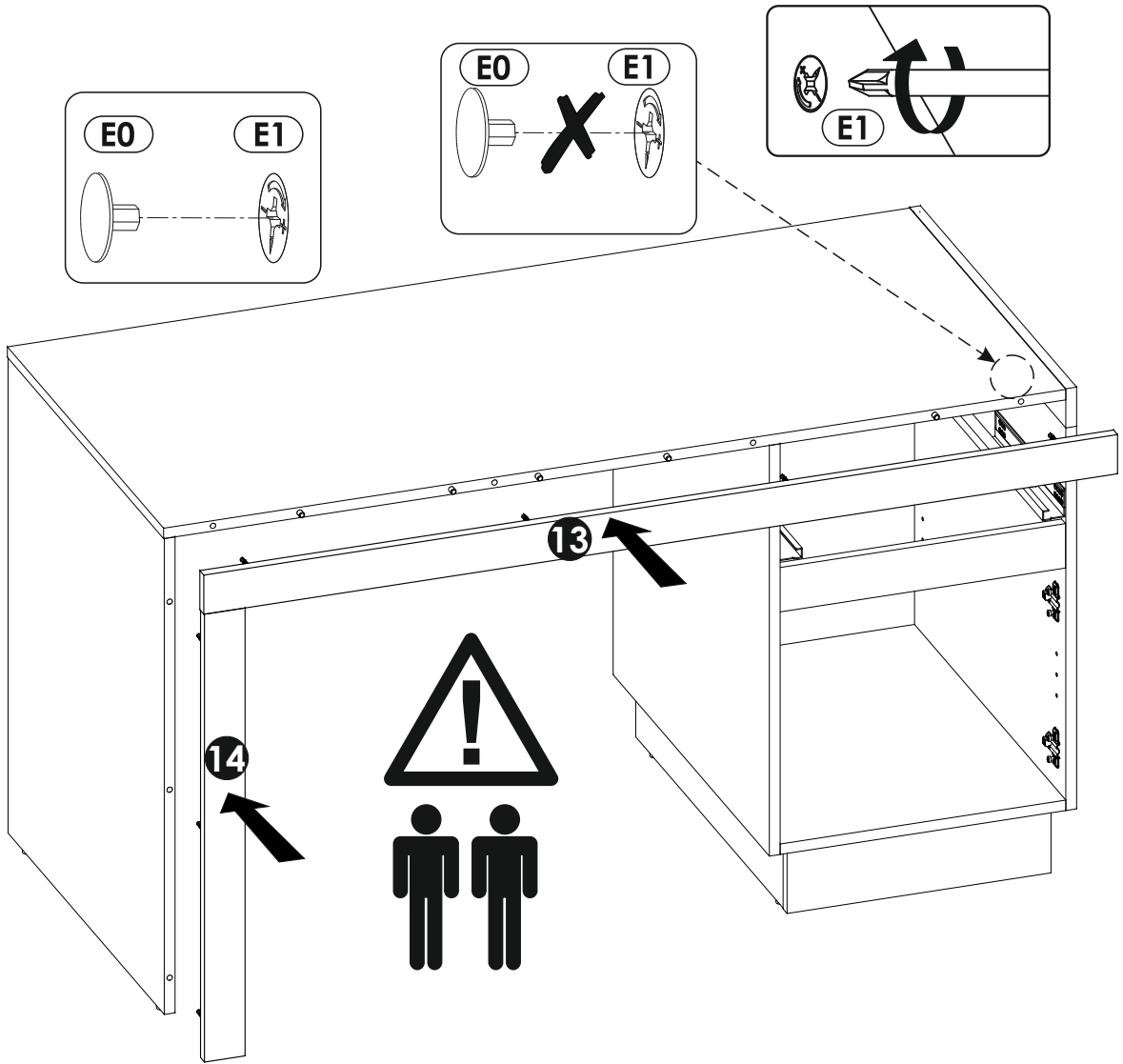
26 ▶



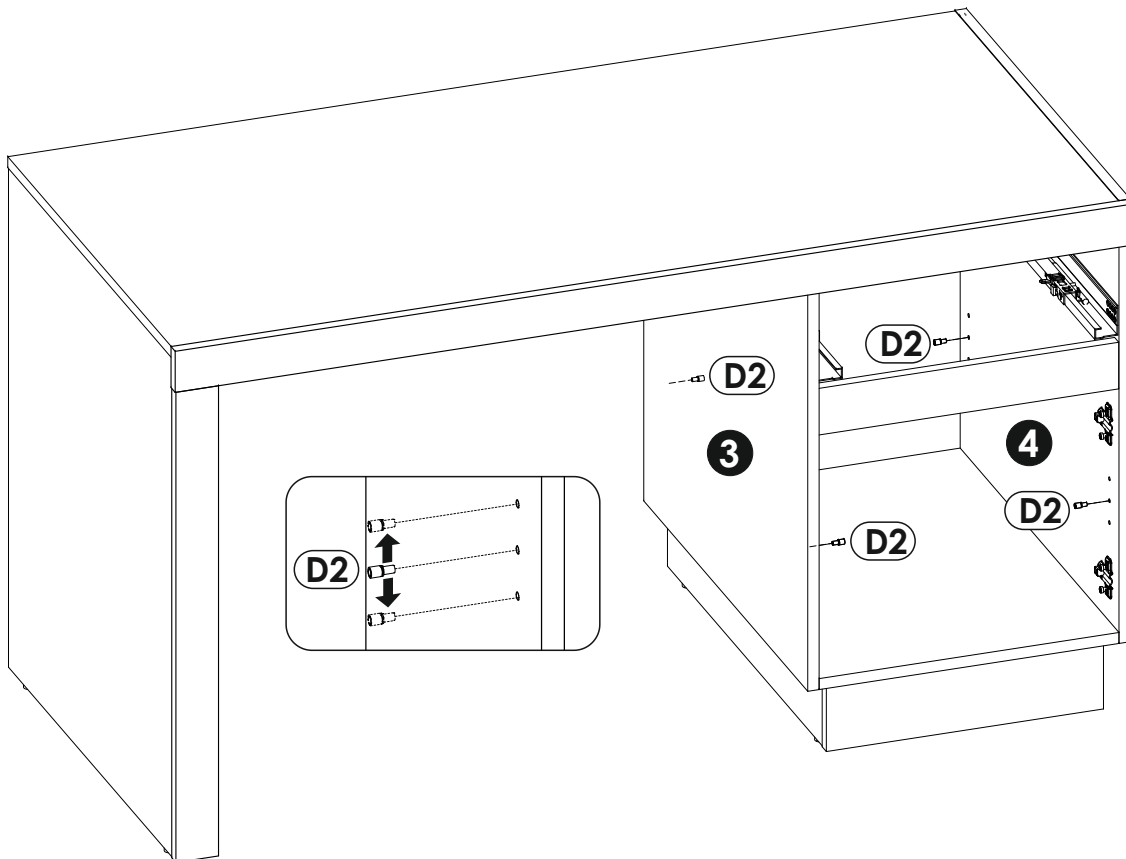
27 ▶



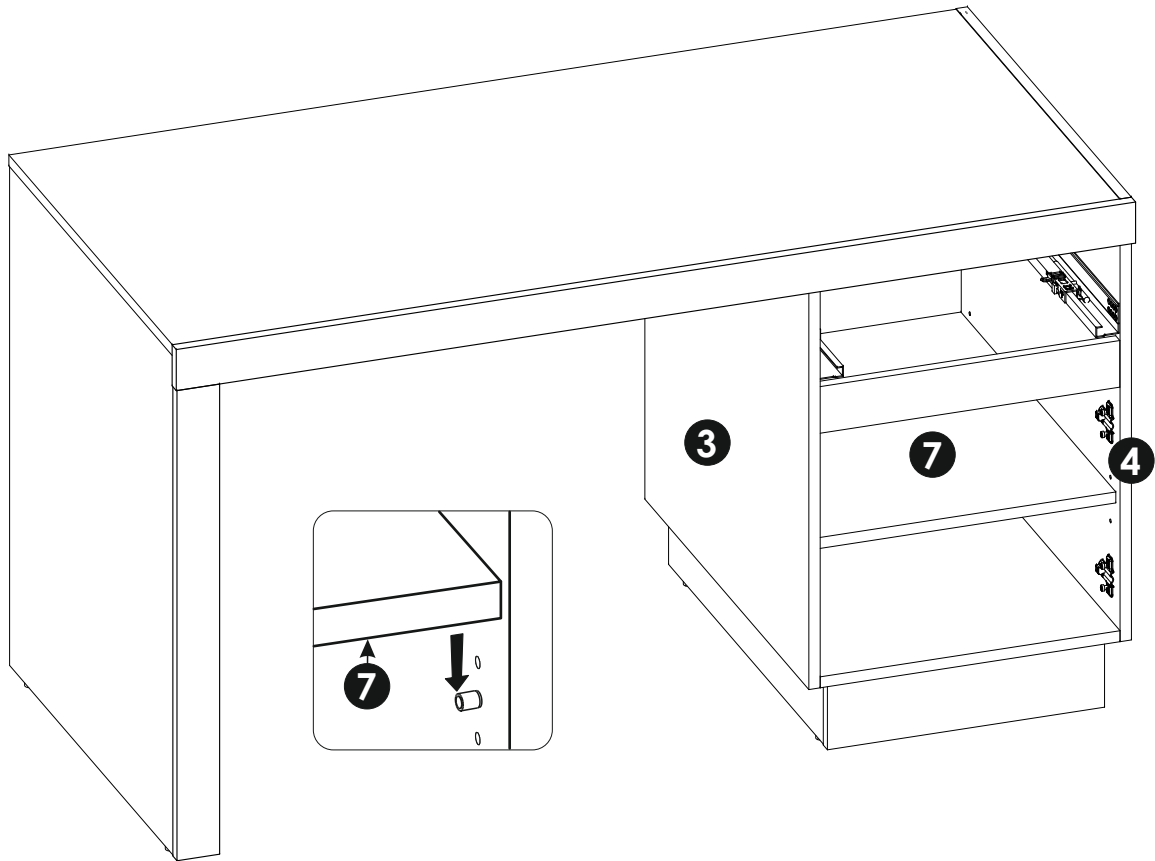
28 ▶



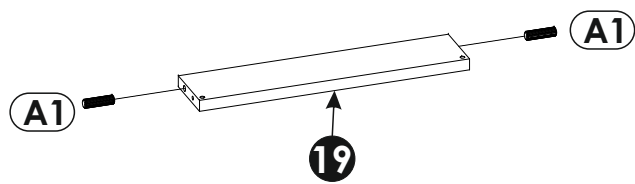
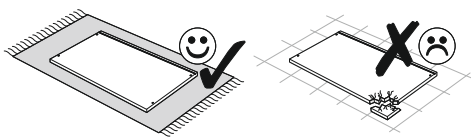
29 ▶

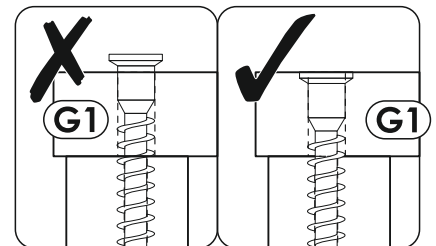
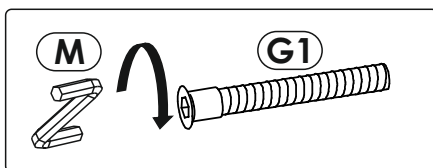
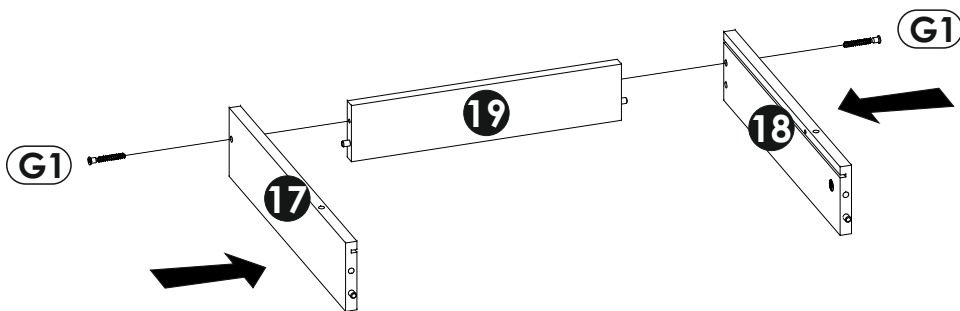
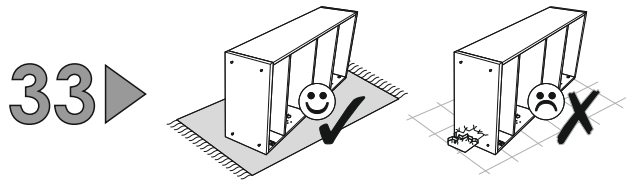
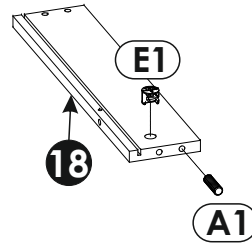
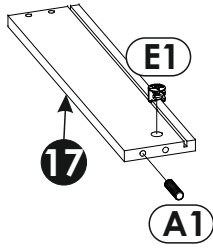
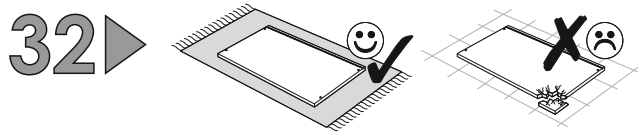


30 ▶

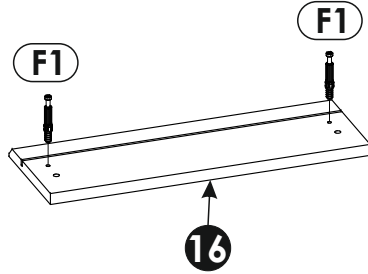
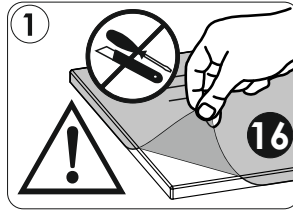
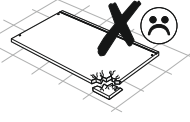
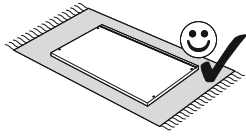


31 ▶

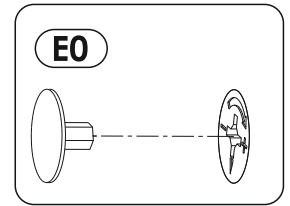
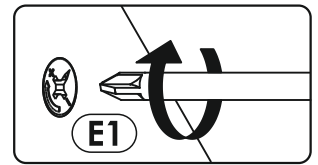
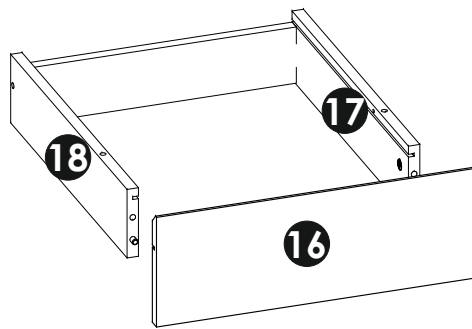
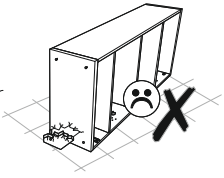
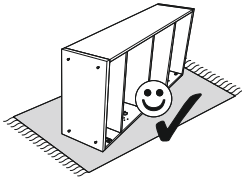




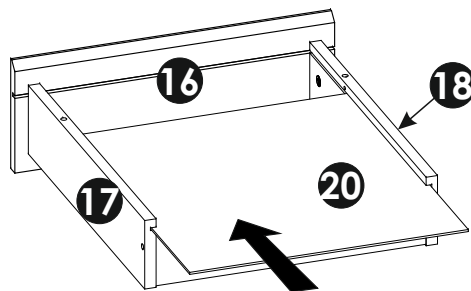
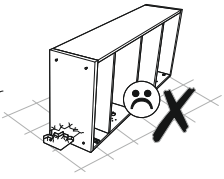
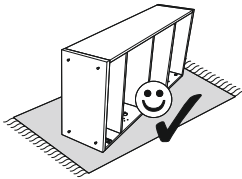
34▶



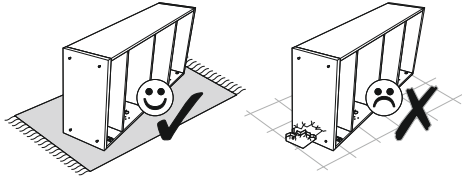
35▶



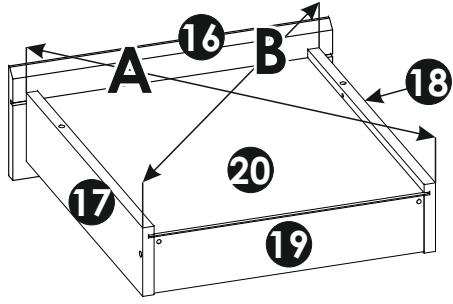
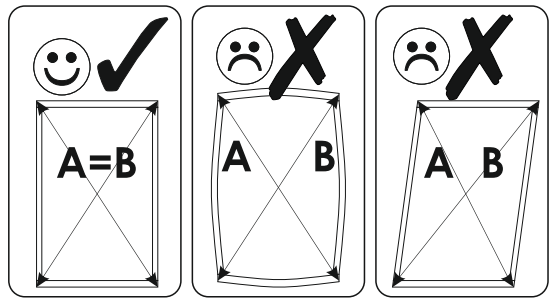
36▶



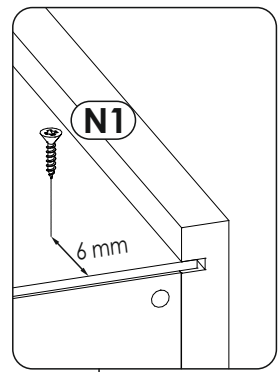
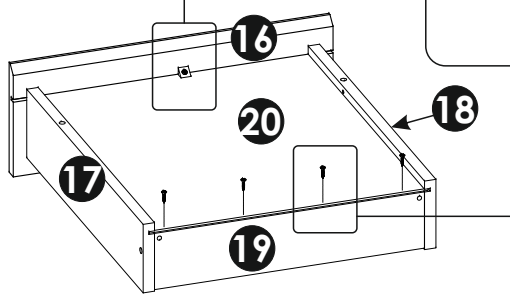
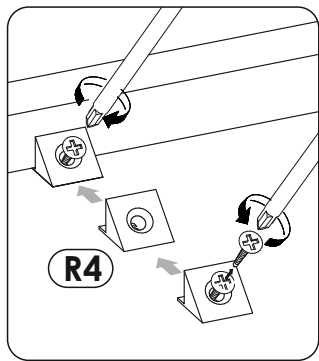
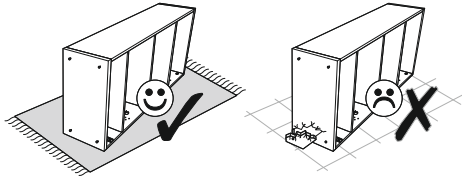
37 ▶



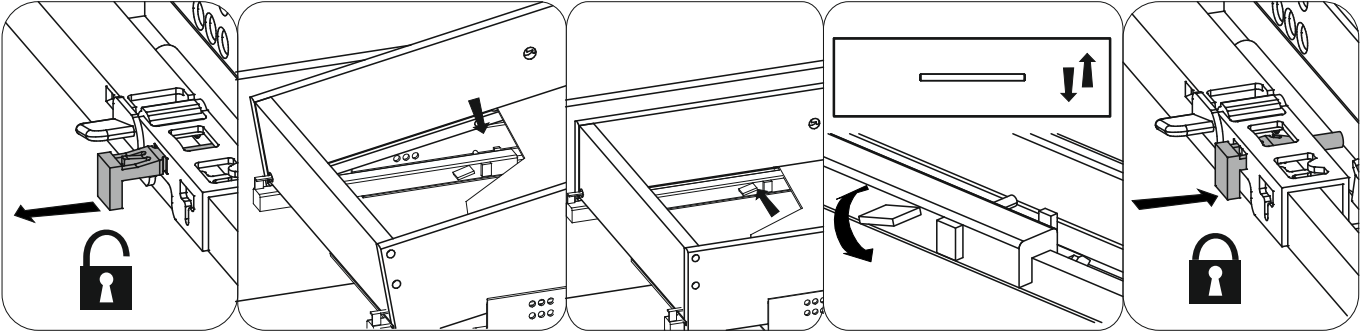
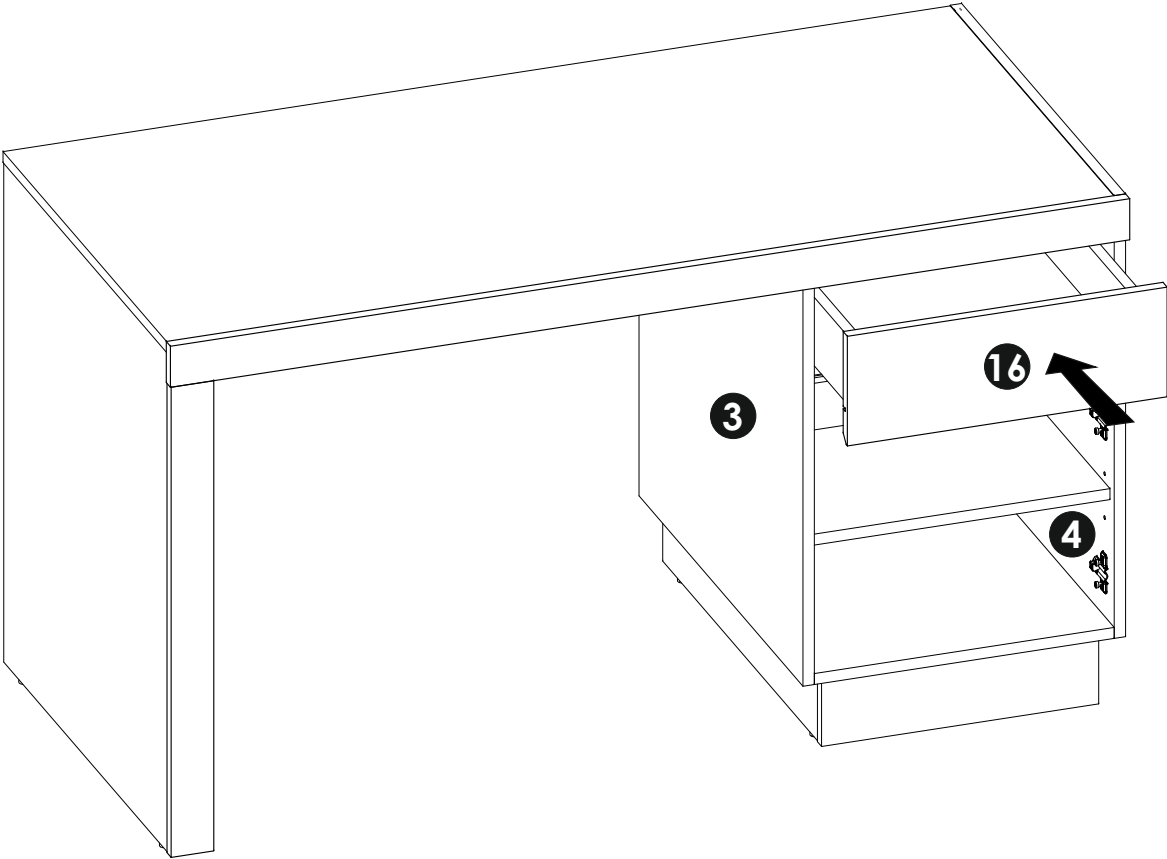
A=B



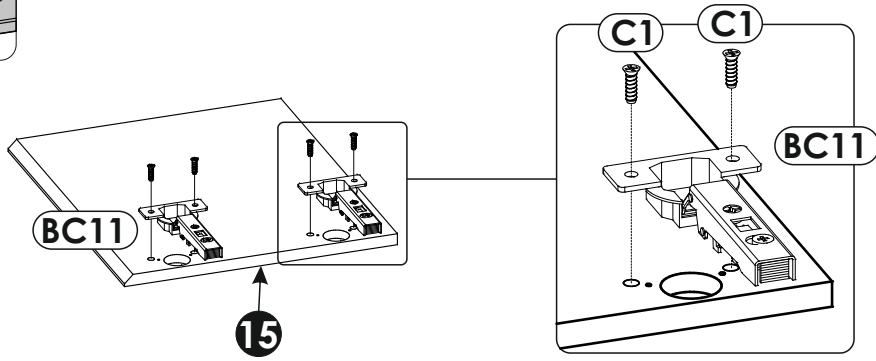
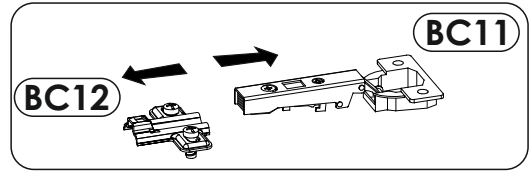
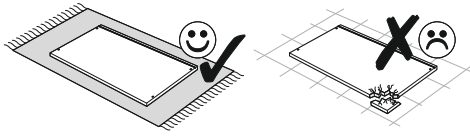
38 ▶



x4



40 ▶



41 ▶

