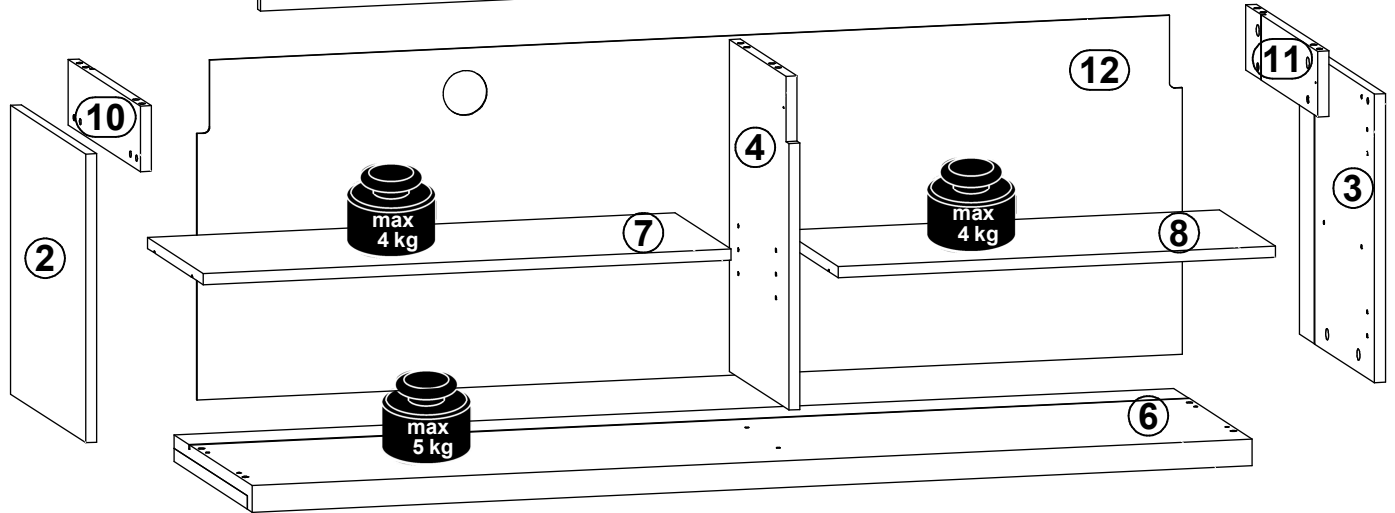
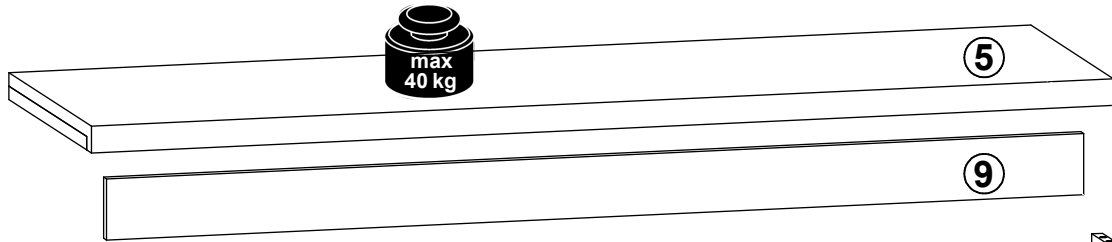
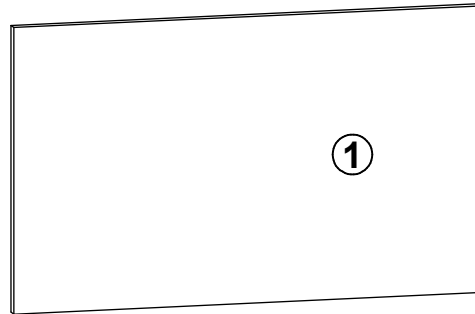
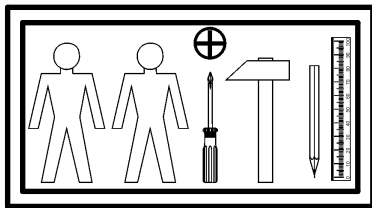
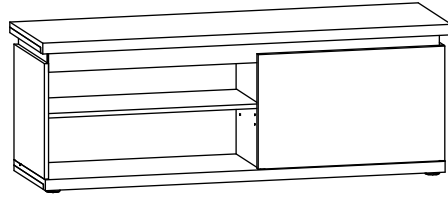
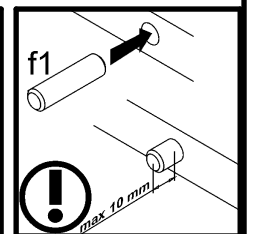
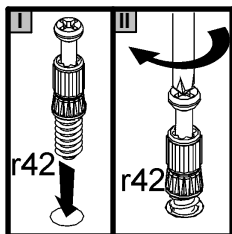
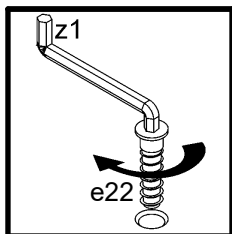
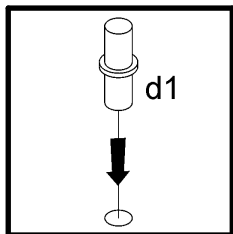
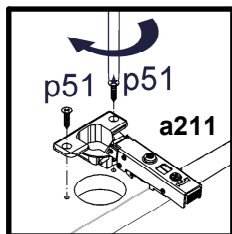
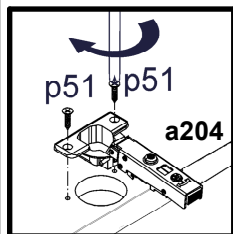
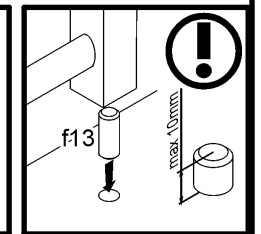
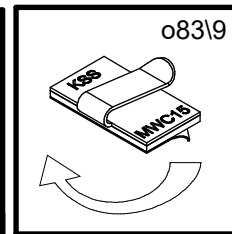
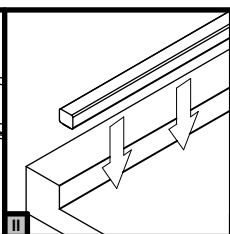
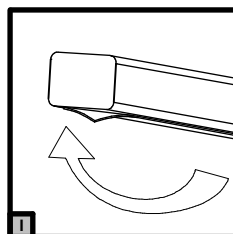
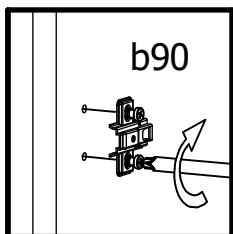
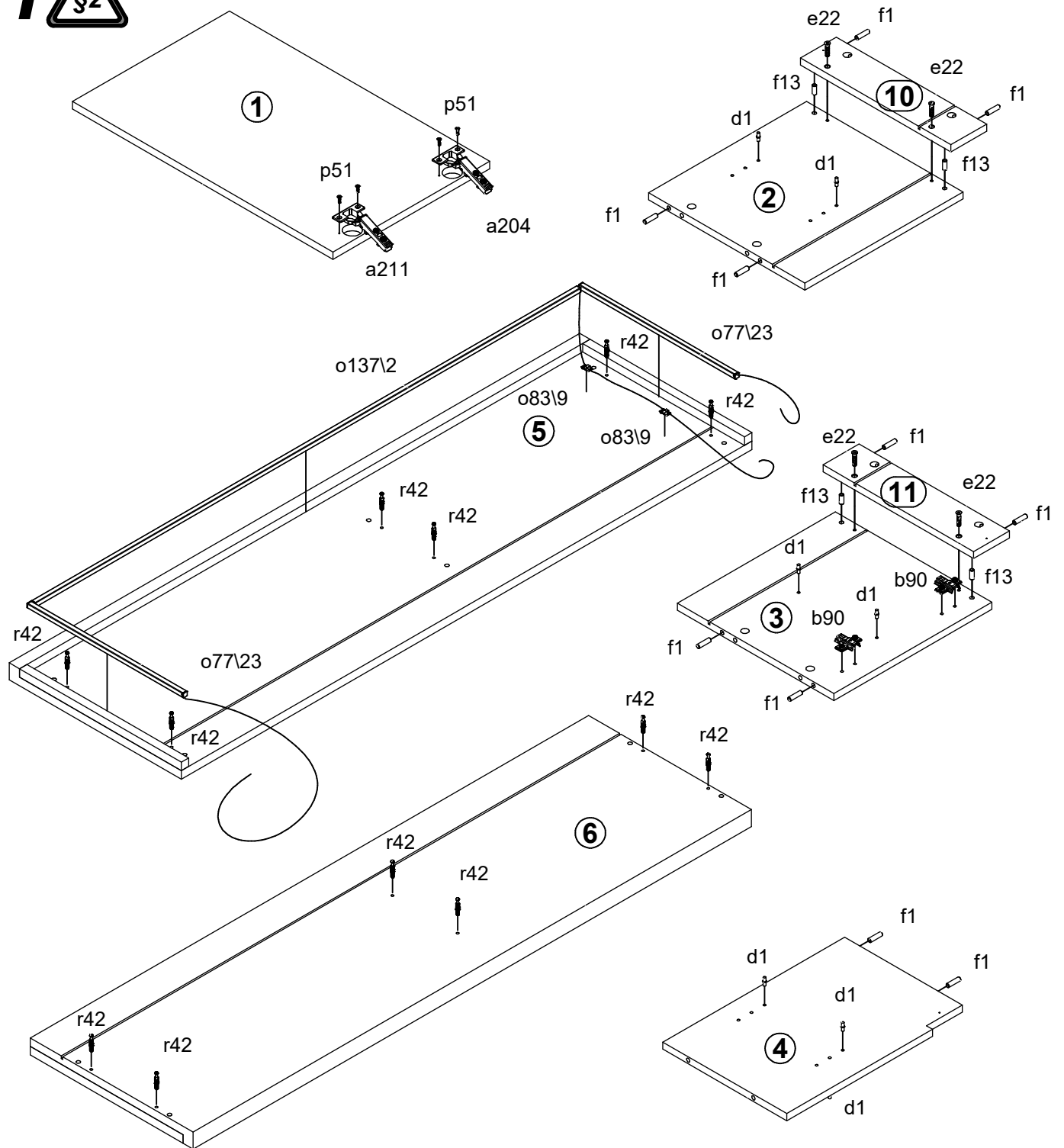


A	B	C	D
1	S474-0003	639	385 1/1
2	S474-1004	388	384 1/1
3	S474-1005	388	384 1/1
4	S474-1006	446	304 1/1
5	S474-2003	1400	422 1/1
6	S474-2004	1370	400 1/1
7	S474-3003	723	286 1/1
8	S474-3004	599	286 1/1
9	S474-4005	1339	82 1/1
10	S474-4006	369	88 1/1
11	S474-4007	369	88 1/1
12	S474-9003	1350	456 1/1

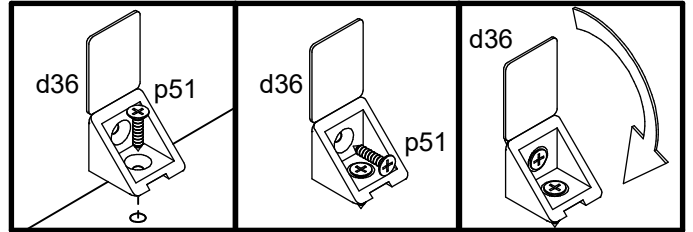
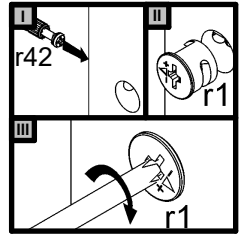
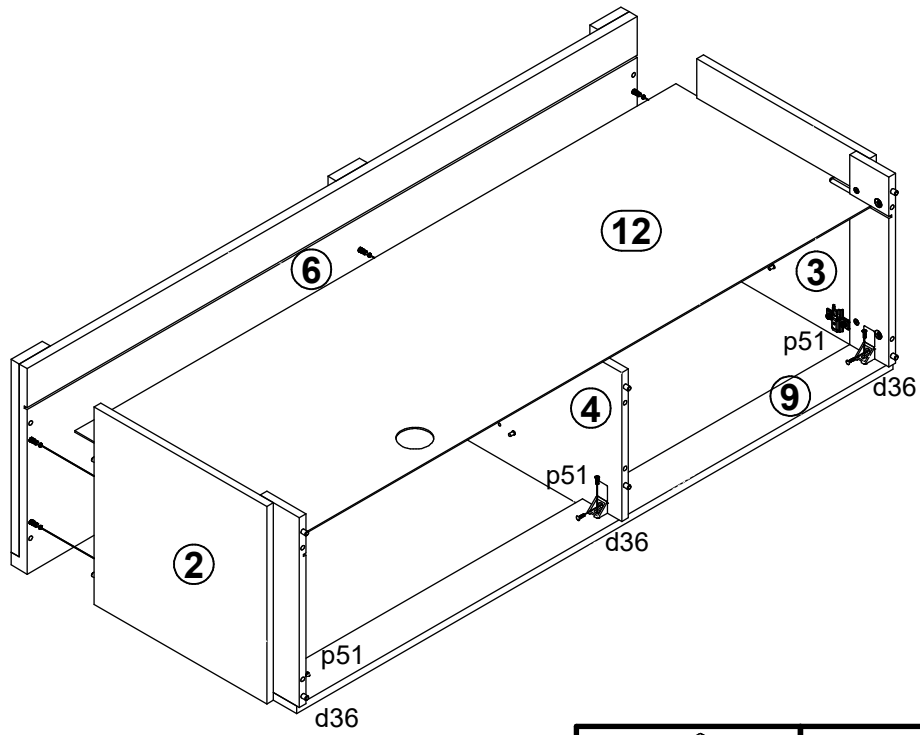


1x Ø35 a204	1x Ø35 a211	2x Ø2 b90	8x Ø5x17 mm d1	3x d36	4x Ø7x28 mm e22	10x Ø8x30 mm f1	4x Ø8x20 mm f13	5x Ø48x10 mm k43
8x l2	1x 3P 15W Ø70/17	2x 10x10 mm L=380 mm Ø77/23	3x 15x15 mm Ø83/9	1x 10x10 mm L=1340 mm Ø137/2	10x Ø3.5x15 mm p51	2x Ø2.9x16 mm p55	12x Ø15x12 mm #16 r1	12x 20/11 r42
2x Ø14x0,5 mm s59	10x Ø 20mm s68	1x 4 mm z1	1x n26/1	1x Ø3.5x16 mm p38				

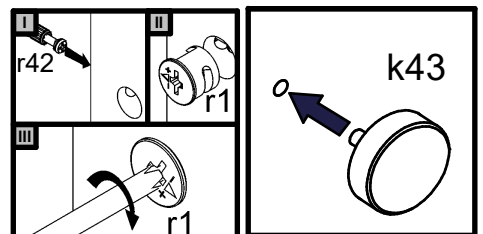
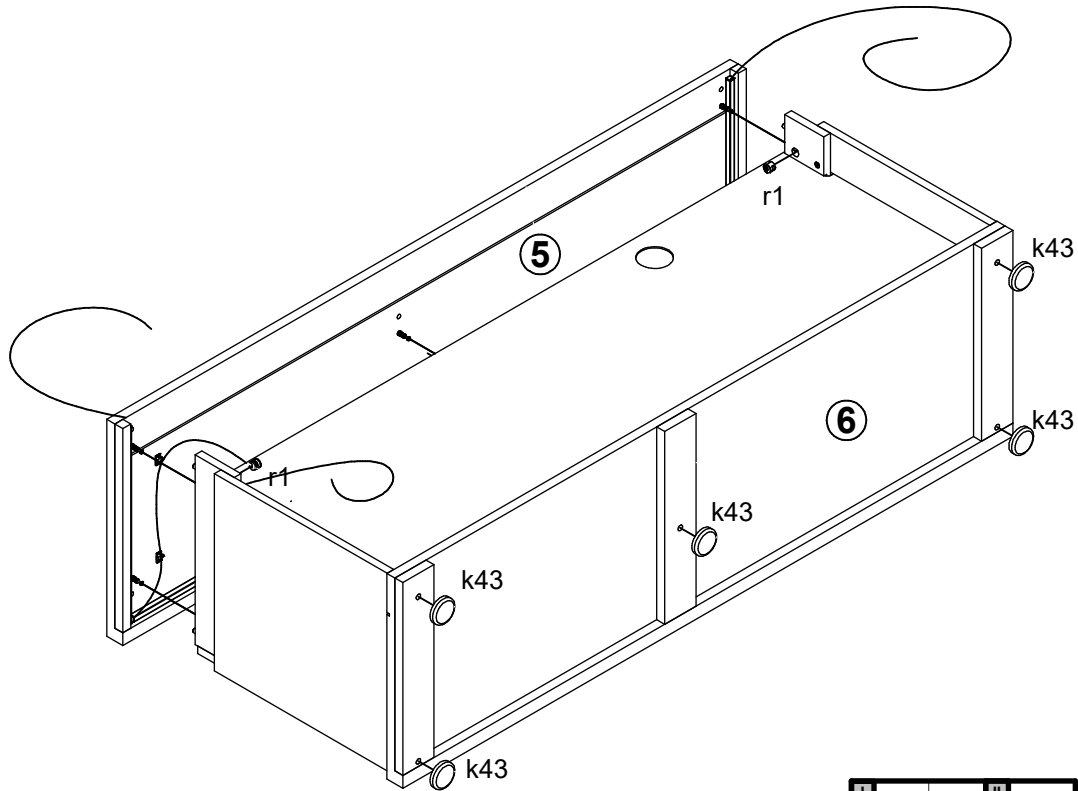
1



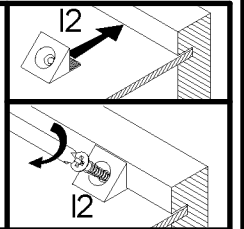
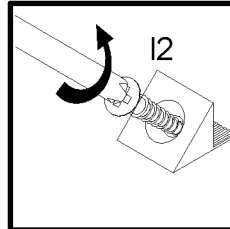
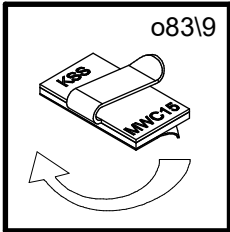
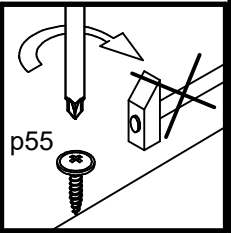
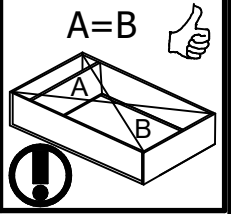
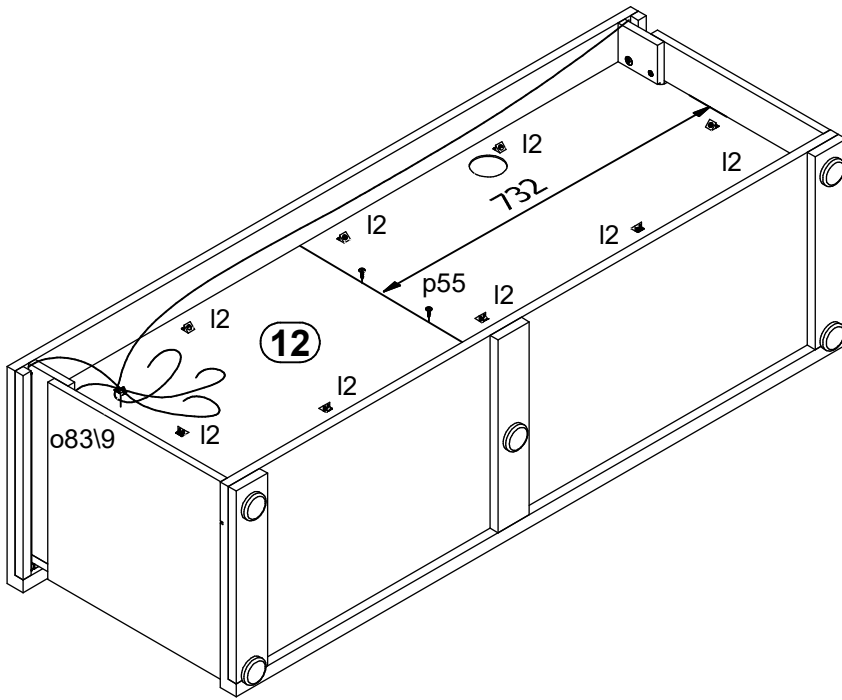
2



3



4



5

