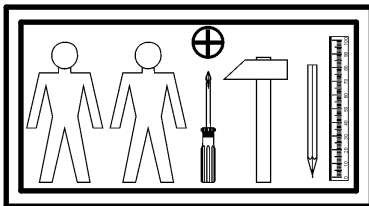
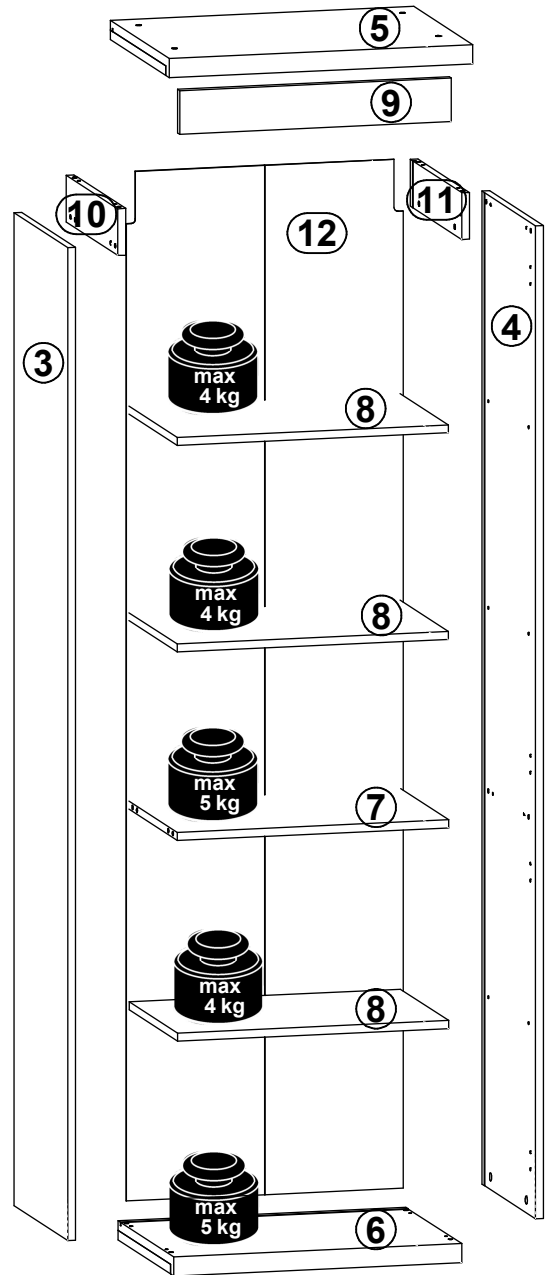
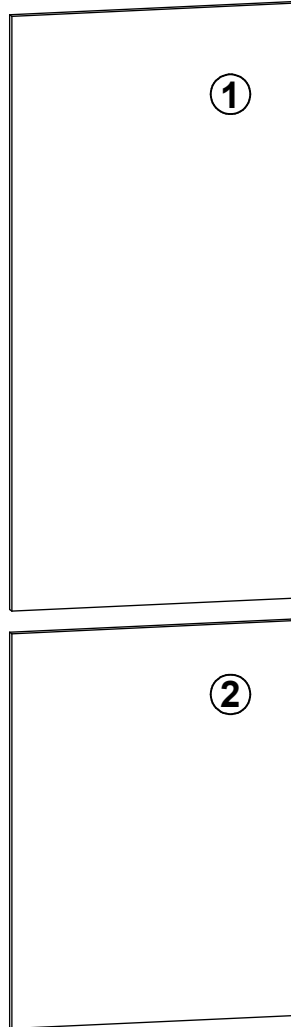
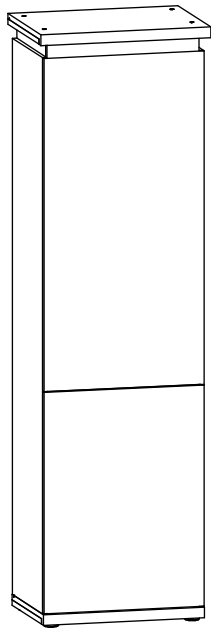
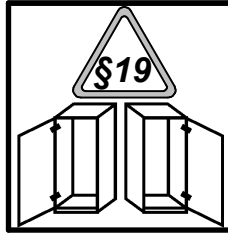


A

LAVAL

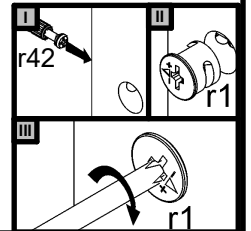
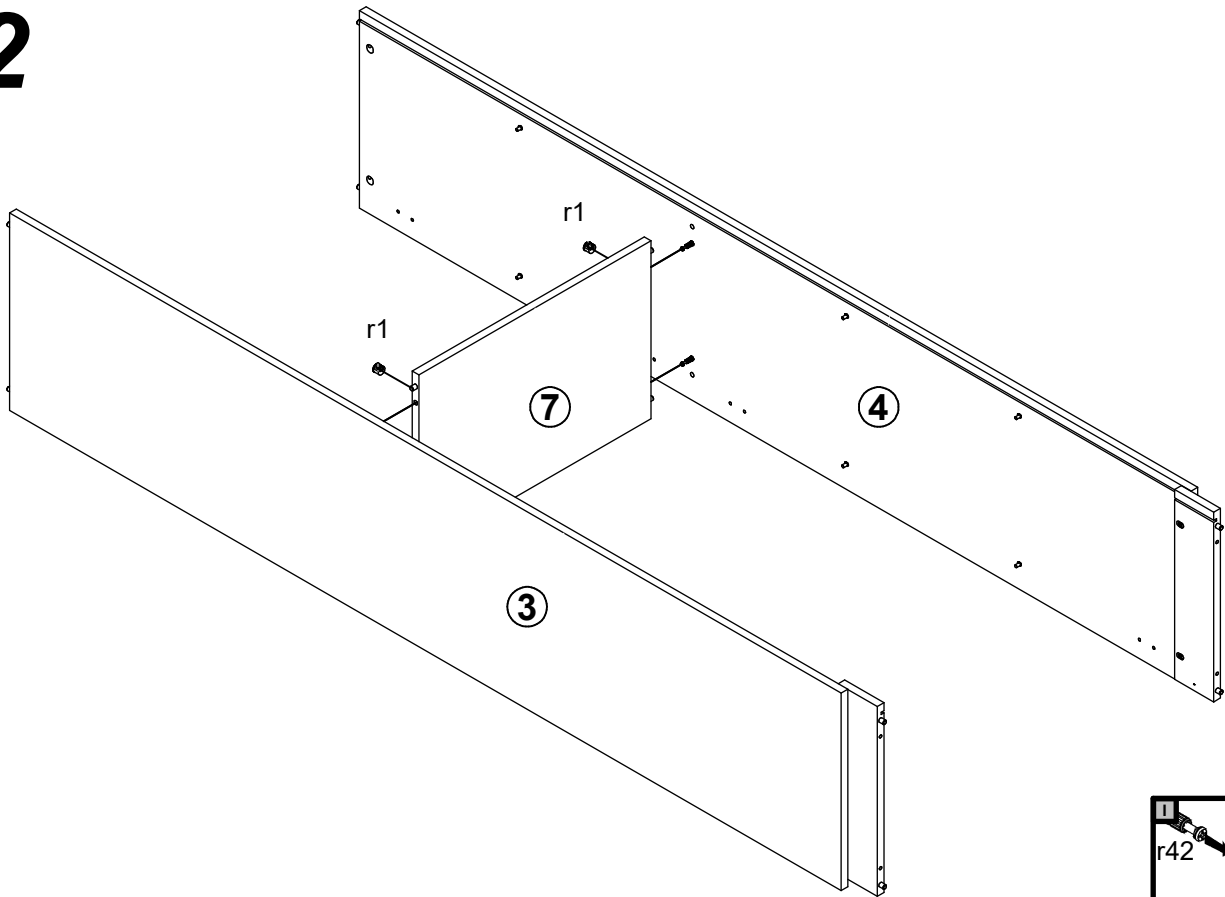
S474-REG2D

A	B	C	D
1	S474-0004	1119	549 2/2
2	S474-0005	743	549 2/2
3	S474-1007	1868	384 2/2
4	S474-1008	1868	384 2/2
5	S474-2005	582	422 1/2
6	S474-2006	552	400 1/2
7	S474-3005	521	346 1/2
8	S474-3006	520	346 1/2
9	S474-4008	521	82 2/2
10	S474-4009	369	88 1/2
11	S474-4010	369	88 1/2
12	S474-9301	1936	531 2/2

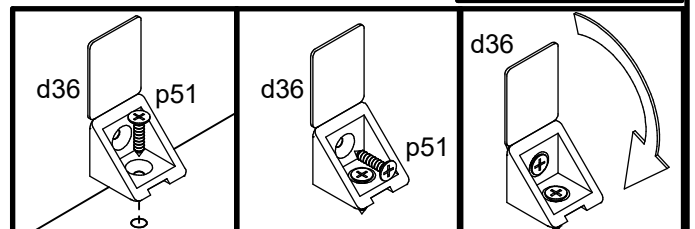
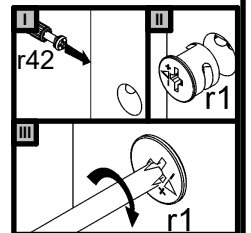
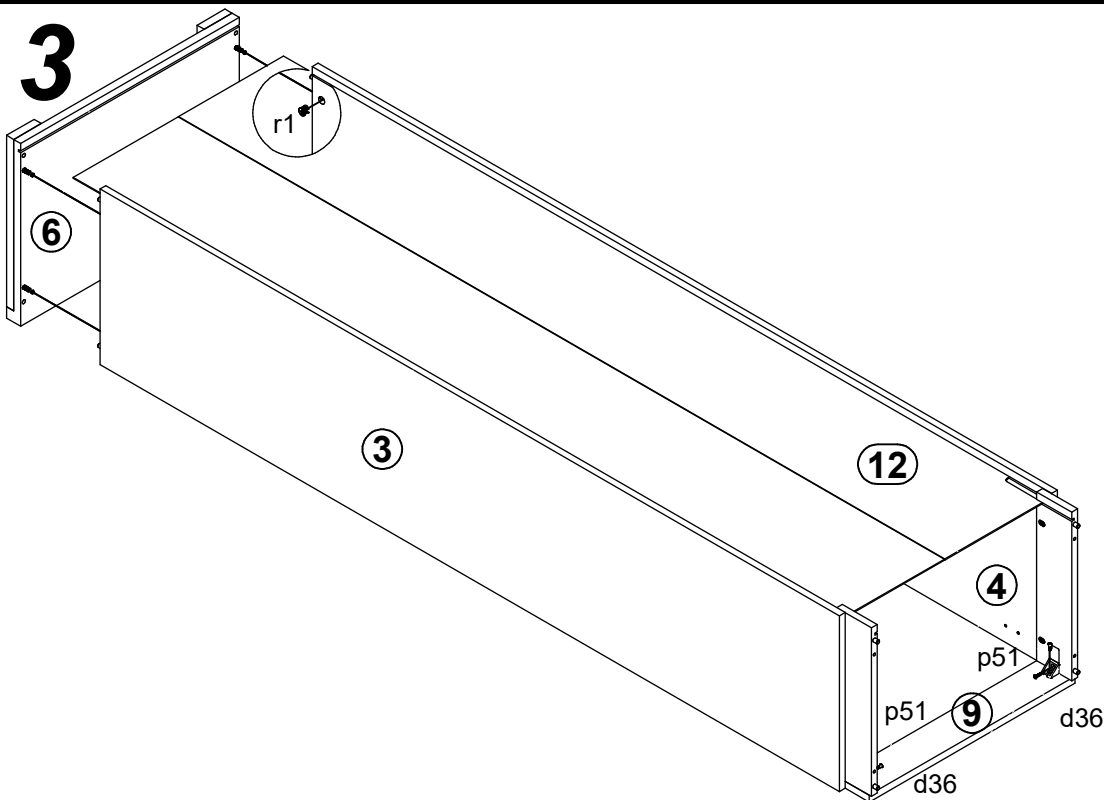


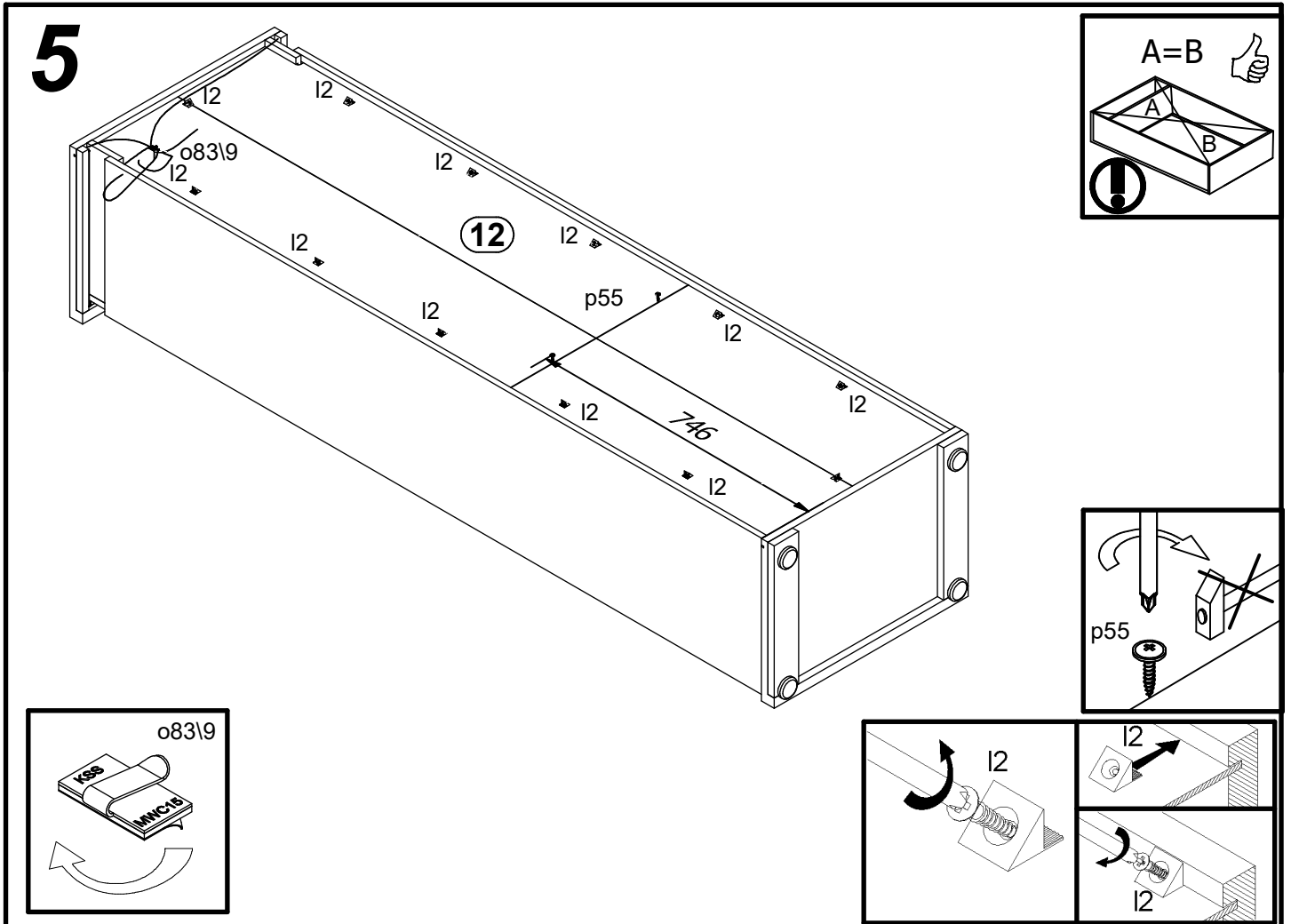
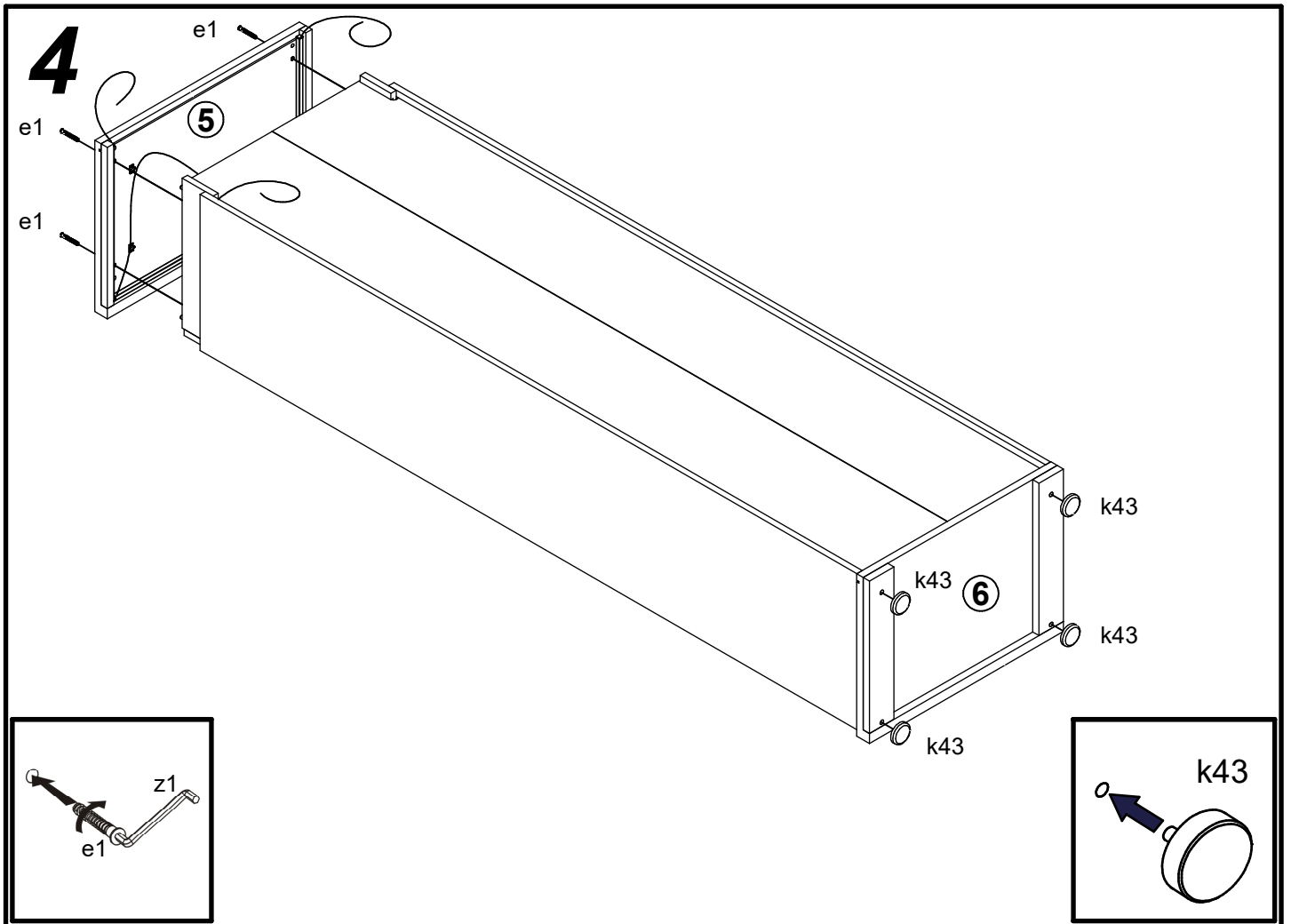
4x Ø35 a204	4x Ø2 b90	12x Ø5x17 mm d1	2x d36	4x Ø7x50 mm e1	4x Ø7x28 mm e22	12x Ø8x30 mm f1	4x Ø8x20 mm f13	4x Ø48x10 mm k43
12x l2	1x 3P 6W Ø70 o70	2x 10x10 mm L=380 mm o77/23	3x 15x15 mm o83/9	1x 10x10 mm L=524 mm o137/4	12x Ø3,5x15 mm p51	2x Ø2,9x16 mm p55	8x Ø15x12 mm #16 r1	8x 20/11 r42
4x Ø14x0,5 mm s59	4x Ø 20mm s68	1x 4 mm z1	2x 88x21x15/1,5 n14/2	4x Ø3,5x16 mm p38	2x Ø10x50 mm f35	2x Ø5x60 mm p17		

2

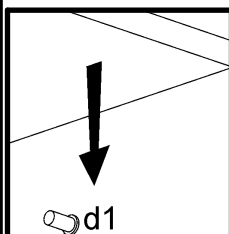
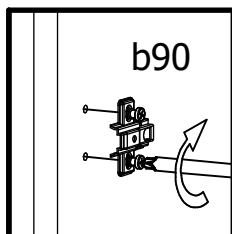
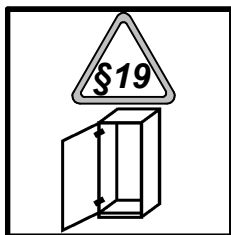
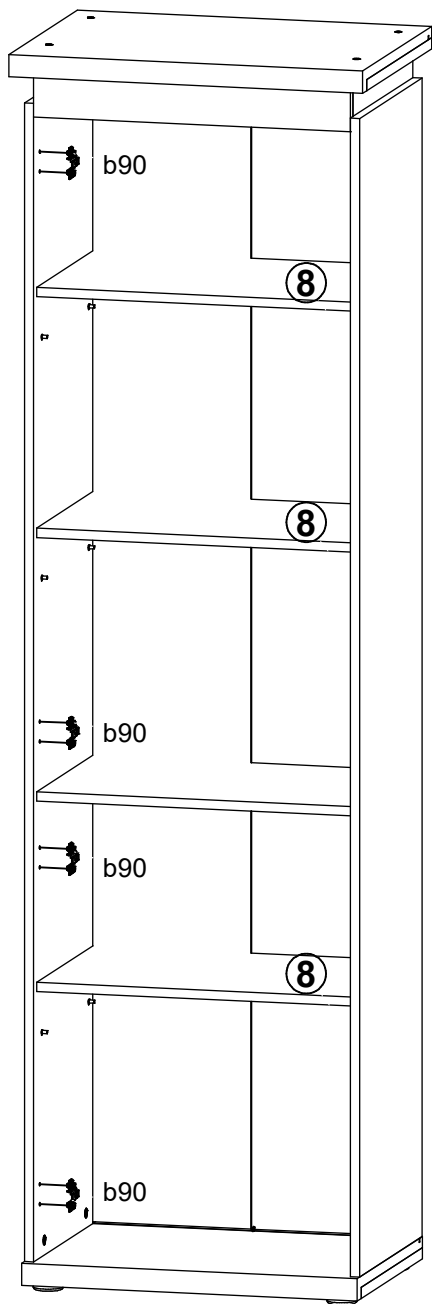


3

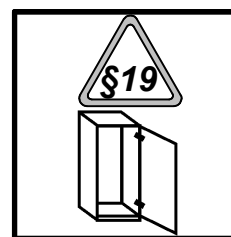
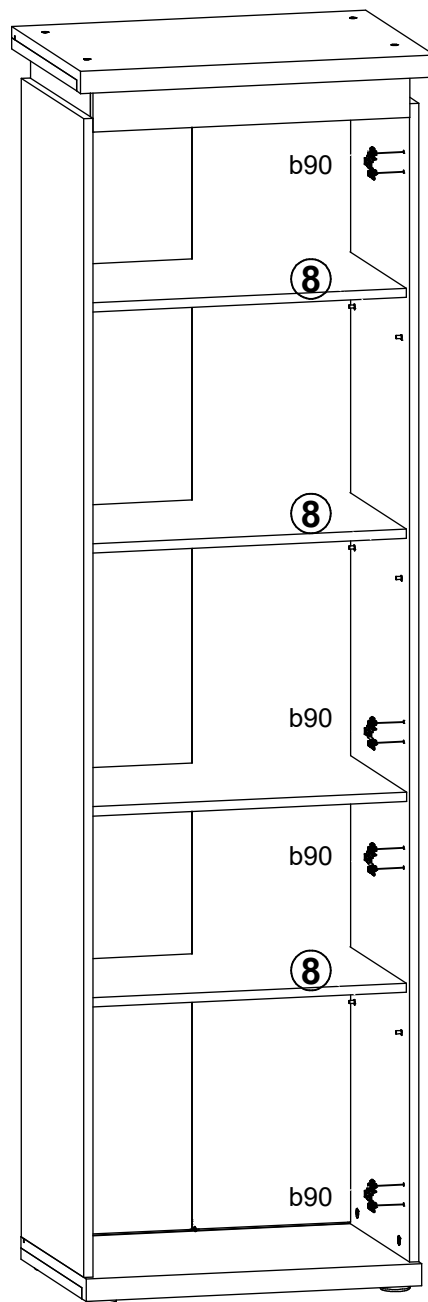




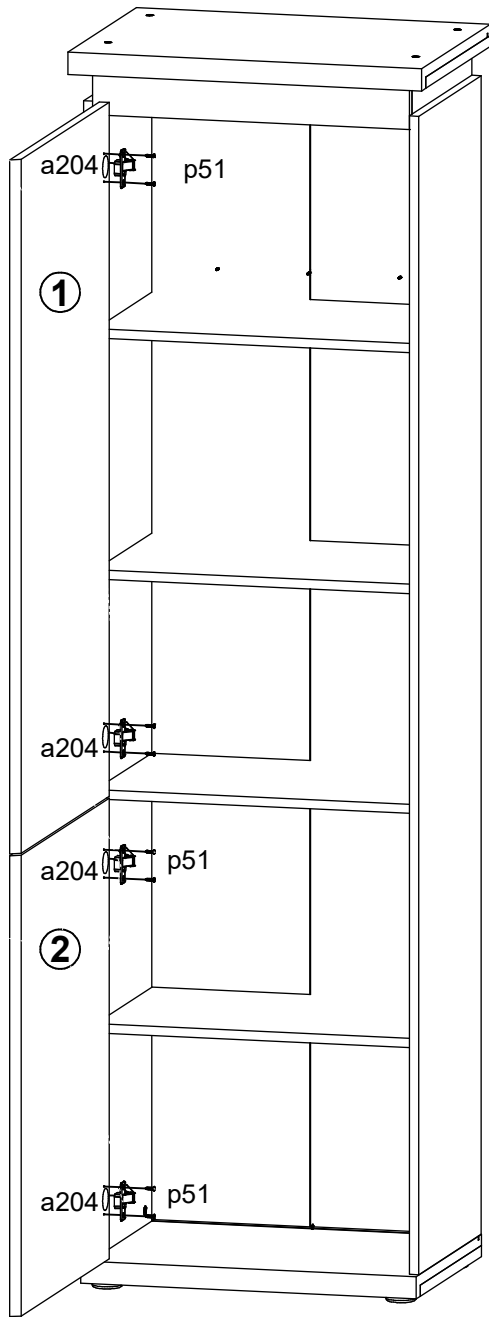
6A



6B



7A



7B

