
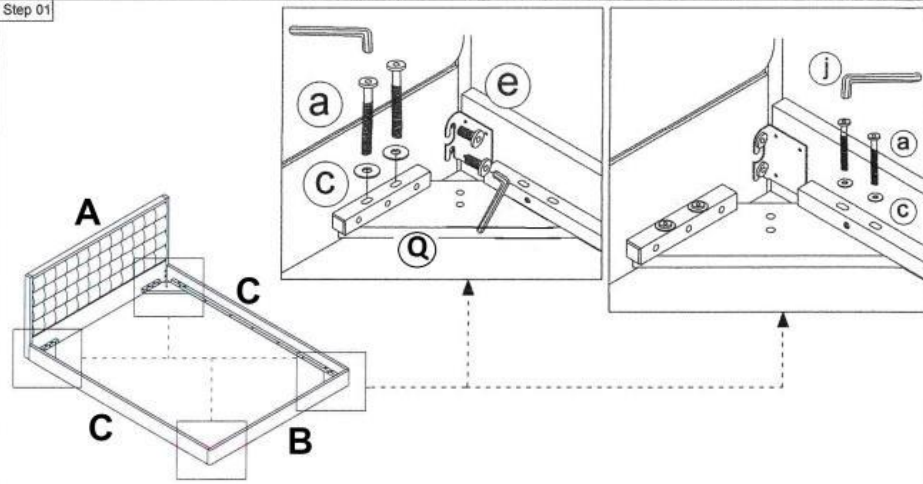






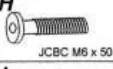
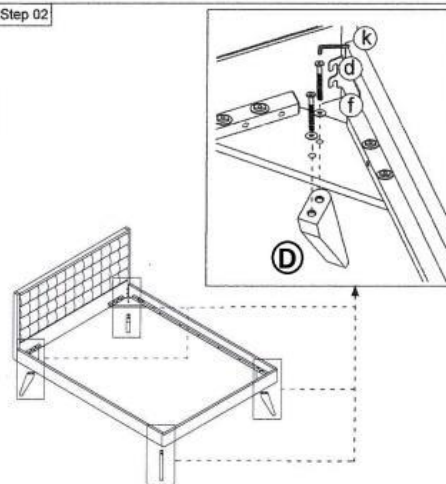
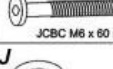
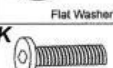
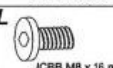
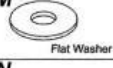
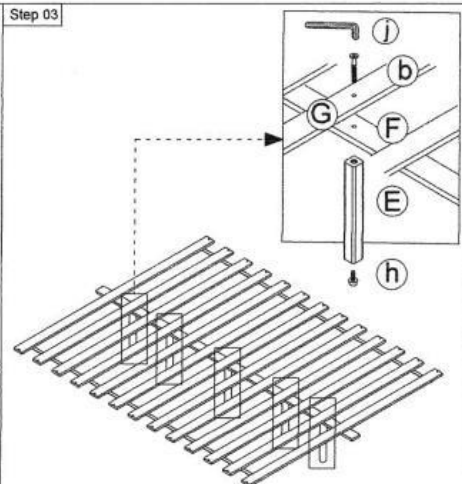
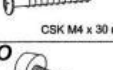
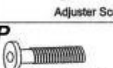




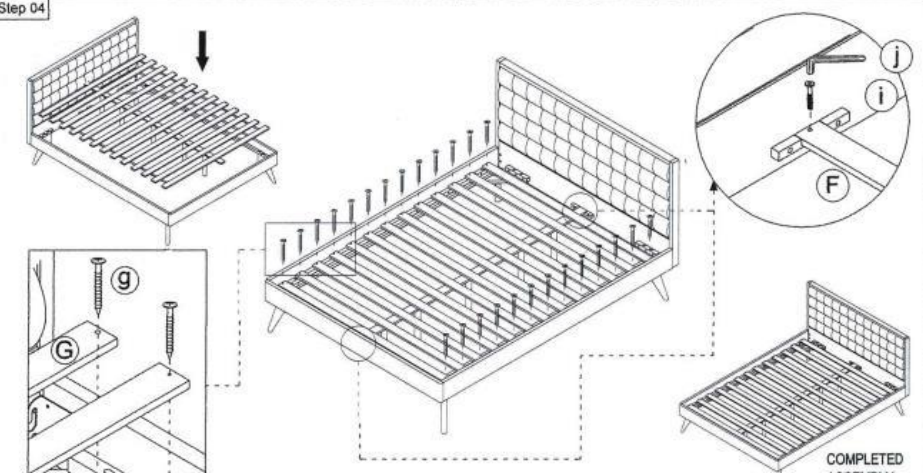


SOLOMO 160

Part List		Step 01
A	 x 1 Headboard	
B	 x 1 Footboard	
C	 x 2 Side Rail	
D	 x 4 Leg	
E	 x 5 Support Leg	
F	 x 1 Center Rail	Step 02
G	 x 1 Slat	Step 03
Hardware List		
a	 x 16 JCBC M6 x 50 mm	
b	 x 5 JCBC M6 x 60 mm	
c	 x 16 Flat Washer M6	
d	 x 8 JCBB M8 x 50 mm	
e	 x 8 JCBB M6 x 16 mm	
f	 x 8 Flat Washer M8	
g	 x 26 CSK M4 x 30 mm	
h	 x 5 Adjuster Screw	
i	 x 2 JCBC M6 x 30 mm	
j	 x 4 Corner Block	
		
		Step 04
		

HALMAR Sp. z o.o.

ul. Centralnego Okręgu Przemysłowego 2, 37-450 Stalowa Wola, POLSKA / POLAND
tel. +48 15 843 28 10, fax: +48 15 842 19 57, e-mail: office@halmar.com.pl