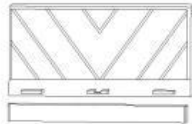



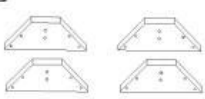
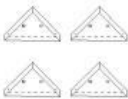
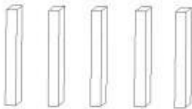
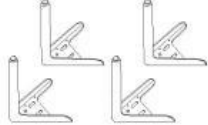


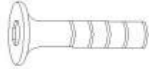







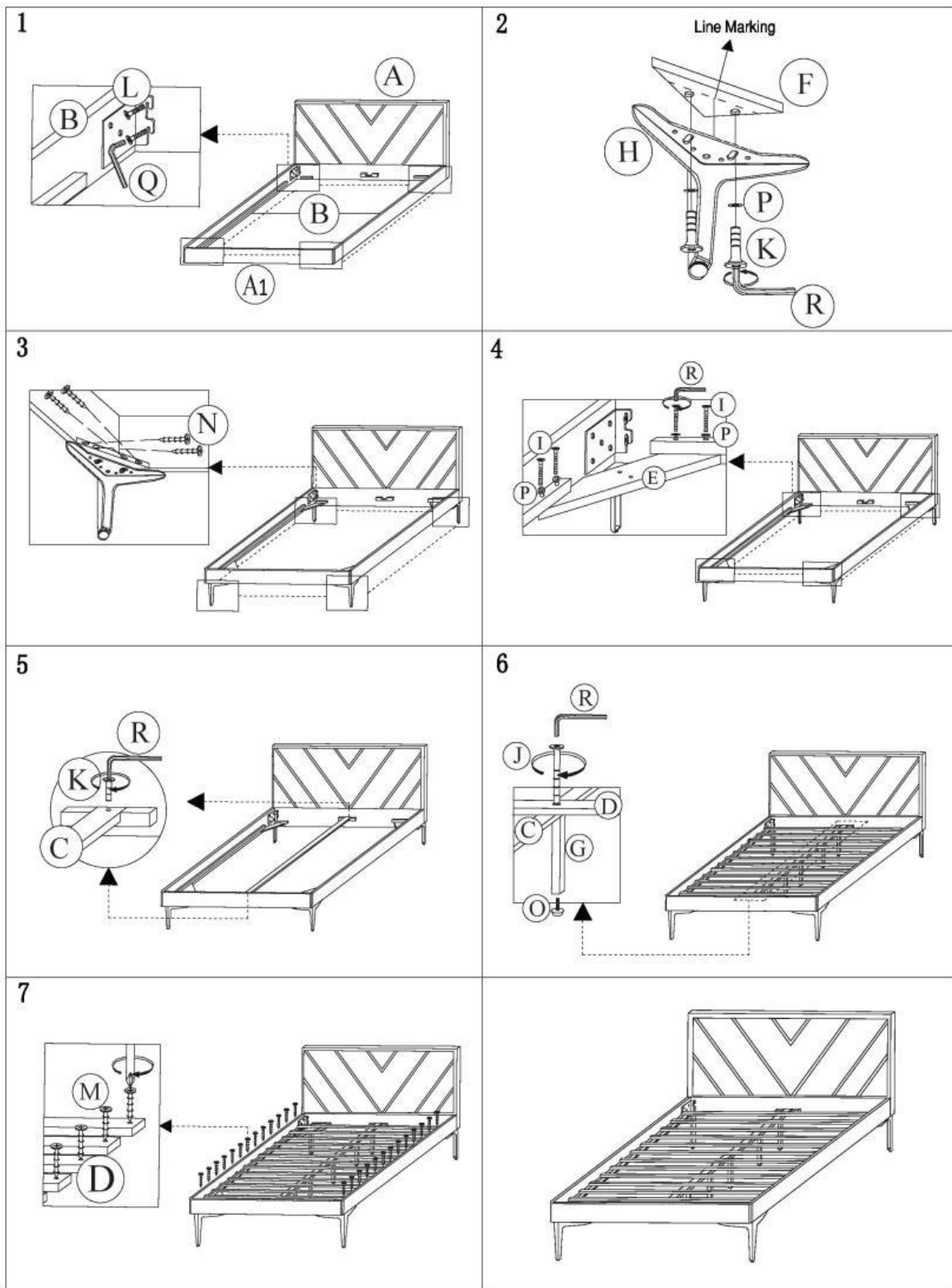


MARGARITA

A&A1 	B 	C 	D 
Headboard & Footboard	Side Rail	Center Rail	Slat
E 	F 	G 	H 
Corner Bar	Bed Leg Corner Block	Center Support Leg	Bed Leg
I  X16	J  X5	K  X10	L  X8
JCBC M6 X 50 MM	JCBC M6 X 60 MM	JCBC M6 X 30 MM	JCBB M8 X 16 MM
M  X26	N  X16	O  X5	P  X24
CSK M4 X 30 MM	CSK M4 X 38 MM	Adjuster Screw	Flat Washer M6
Q  X1	R  X1		
Allen Key M5	Allen Key M4		



HALMAR SP.z o. o.
 ul. Centralnego Okregu Przemyslowego 2, 37-450 Stalowa Wola, POLSKA / POLAND
 tel.+48 15 843 28 10, fax:+48 15 842 19 57 , e-mail: office@halmar.com.pl

NOWOŚĆ