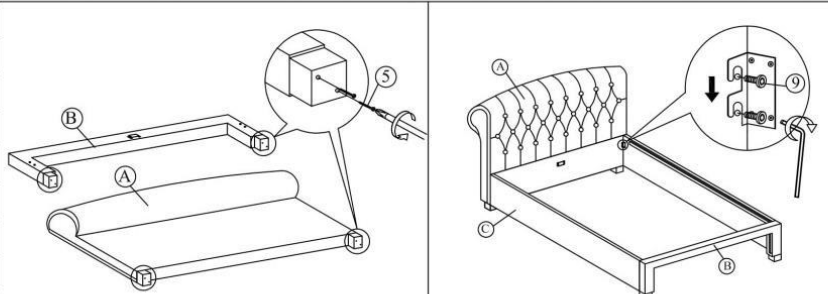


AVANTI 160

A	Footboard	1 pc	I	Foot Hooker	28 pcs
B	Footboard	1 pc	J	Foot Panel	1 pc
C	Side Rail	2 pcs	K	Block Panel	1 pc
D	Leg	4 pcs	L	Slide Panel	2 pcs
E	Center Rail	1 pc	M	Support Panel	1 pc
F	Support Leg	2 pcs	N	Bottom Panel (Qty Screws)	3 pcs
G	Star	28 pcs	O	Bottom Panel (Qty Screws)	7 pcs
H	Washer Hooker	14 pcs	P	Stiffener Star	2 pcs

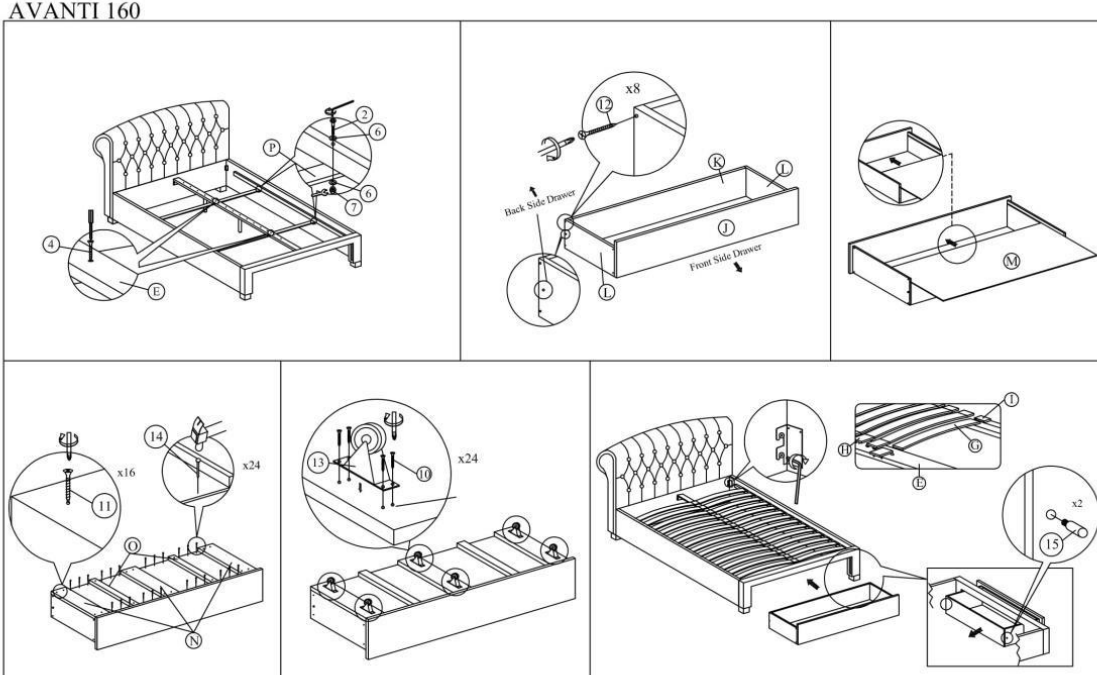
hardware for bed (1)			hardware for panel (2)		
1	JCBC M6 X 40	2 pcs	10	CSK M4 x 16mm	24 pcs
2	JCBC M6 X 60	4 pcs	11	CSK M4 x 32mm	16 pcs
3	CSK M4 x 16mm	4 pcs	12	CSK M4 x 50mm	8 pcs
4	CSK M4 x 32mm	2 pcs	13	Roller	6 pcs
5	CSK M4 x 50mm	8 pcs	14	Power Nut (Qty)	24 pcs
6	Flat Washers	8 pcs	15	Metal Stopper	2 pcs
7	M6 Hex Nut	4 pcs			
8	Adjuster	2 pcs			
9	JCBH M8 X 20	8 pcs			



HALMAR SP.z o. o.
 ul. Centralnego Okregu Przemyslowego 2, 37-450 Stalowa Wola, POLSKA / POLAND
 tel.+48 15 843 28 10, fax:+48 15 842 19 57, e-mail: office@halmar.com.pl

1/2

AVANTI 160



HALMAR SP.z o. o.
 ul. Centralnego Okregu Przemyslowego 2, 37-450 Stalowa Wola, POLSKA / POLAND
 tel.+48 15 843 28 10, fax:+48 15 842 19 57, e-mail: office@halmar.com.pl

2/2