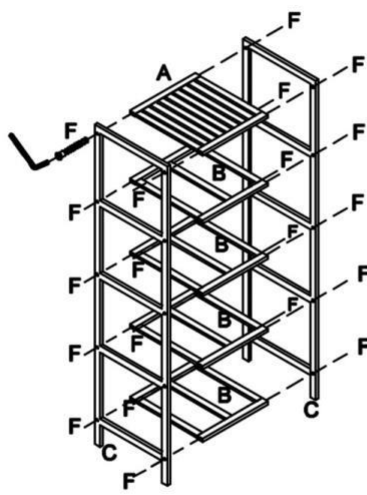
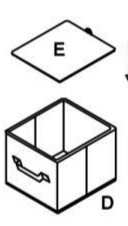


REG-10

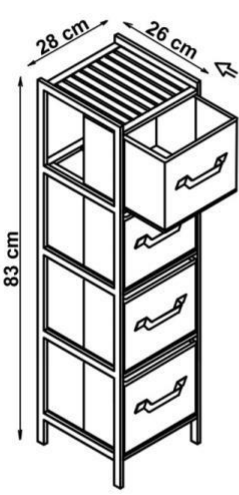
1









2



3



max. 10kg

A		1
B		4
C		2
D		4
E		4
F		20

v.1