

max. 30 kg

Parts list:

K	L	M	N	O	P	Q	R	S	T	U	V									
10x	10x	32x	8x30	8x	8x20	8x	6x50	8x	3,5x18	8x	3x20	8x	3,5x35	8x		10x	2xkpl	L-400	1x	

**1** 4x: Assembly of base plate C with screws N and M.

**2**: Assembly of side rails B1 and B2 with plate C, using screws L and M.

HALMAR Sp. z o.o.  
 ul. Centralnego Okręgu Przemysłowego 2, 37-450 Stalowa Wola, POLSKA / POLAND  
 tel. +48 15 843 28 10, fax: +48 15 842 19 57, e-mail: office@halmar.com.pl

v.2

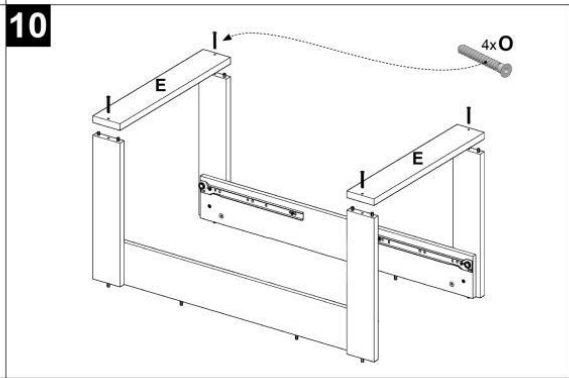
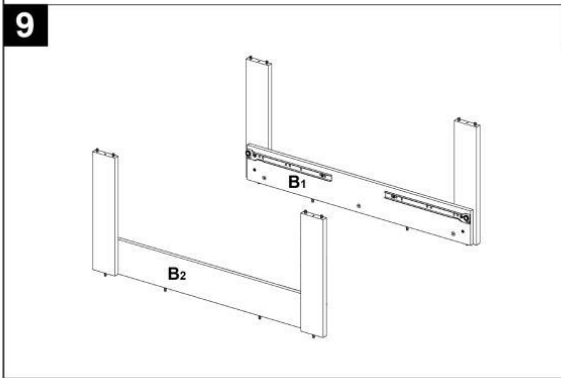
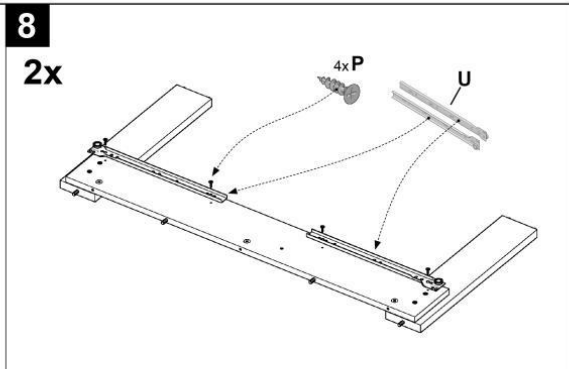
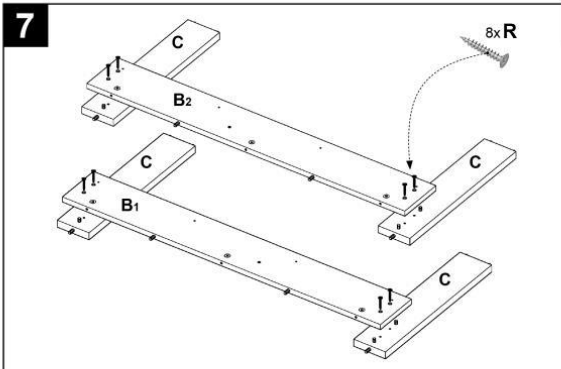
**3**: Assembly of top plate A with screws K.

**4** 2x: Assembly of side rails F, G, H, I with screws K, M, L and plate L.

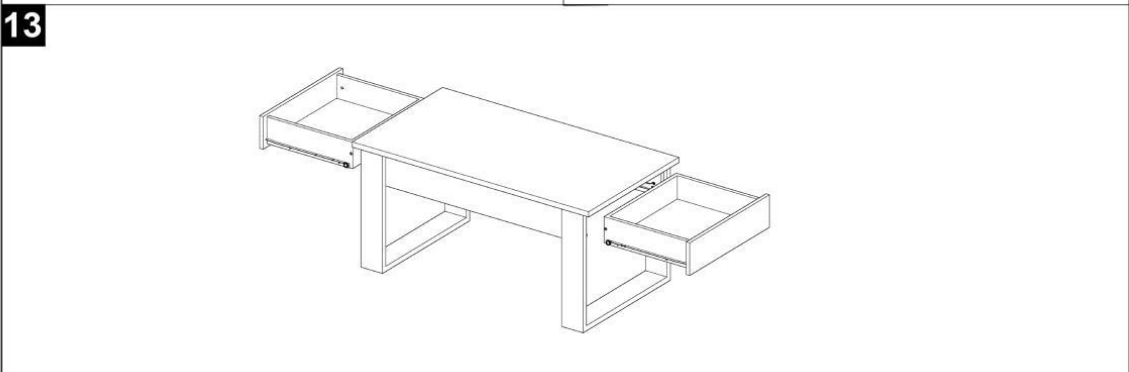
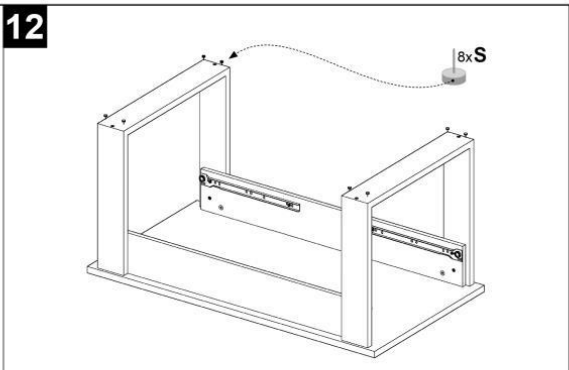
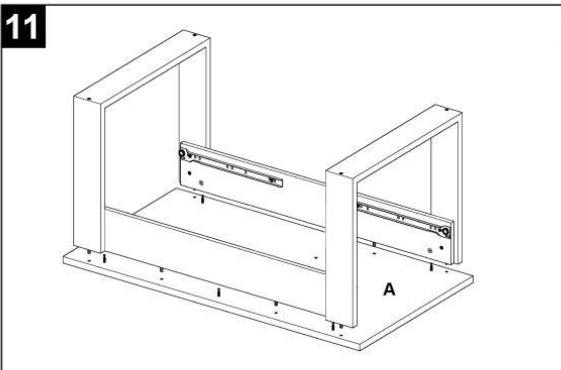
**5** 2x: Assembly of drawer front H, side rails F, G, and drawer body J with screws O.

**6** 2x: Assembly of drawer body J with side rails F, G, H, I, screws Q, and plate U.

v.2



v2



v2