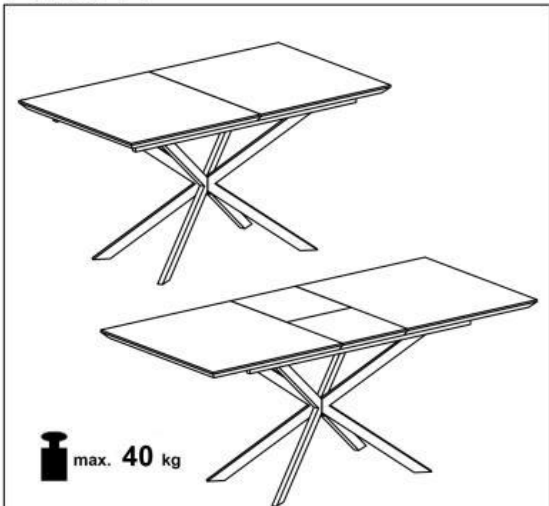





















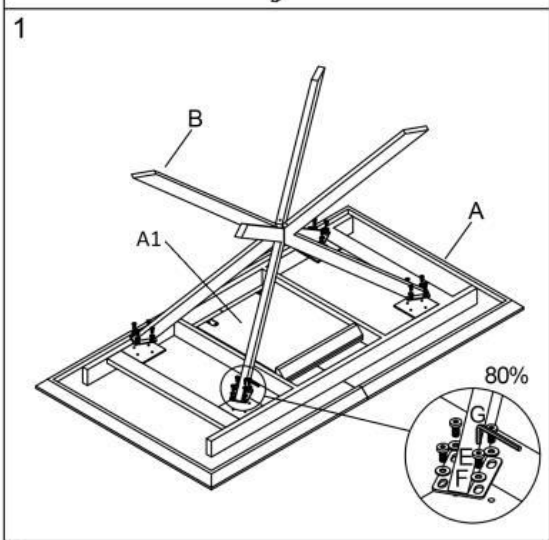
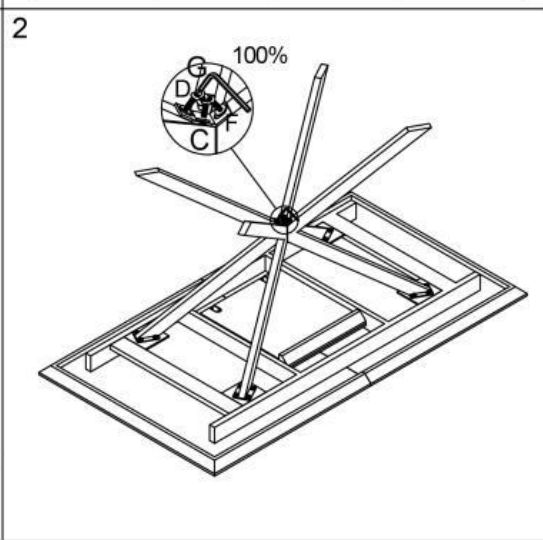


DIESEL

 <p>max. 40 kg</p>	<table border="1"> <tr> <td data-bbox="831 277 1078 432"> Ax1  </td> <td data-bbox="1078 277 1326 432"> Bx4  </td> </tr> <tr> <td data-bbox="831 432 957 589"> Cx1  </td> <td data-bbox="957 432 1078 589"> Dx4  8x20 </td> <td data-bbox="1078 432 1203 589"> Ex16  8x16 </td> <td data-bbox="1203 432 1326 589"> Fx20  8x18 </td> </tr> <tr> <td data-bbox="831 589 957 745"> Gx1  5# </td> <td data-bbox="957 589 1078 745"></td> <td data-bbox="1078 589 1203 745"></td> <td data-bbox="1203 589 1326 745"></td> </tr> </table>	Ax1 	Bx4 	Cx1 	Dx4  8x20	Ex16  8x16	Fx20  8x18	Gx1  5#			
Ax1 	Bx4 										
Cx1 	Dx4  8x20	Ex16  8x16	Fx20  8x18								
Gx1  5#											
<p>1</p> 	<p>2</p> 										
<p>3</p> 