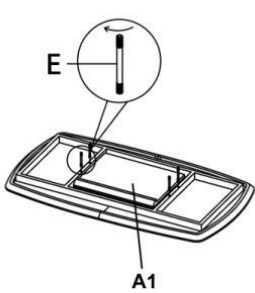
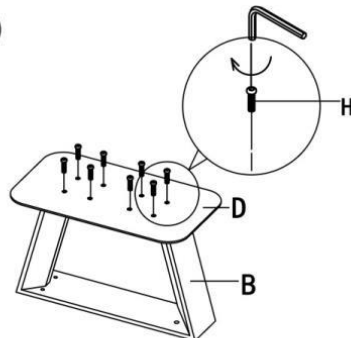


BLACKY

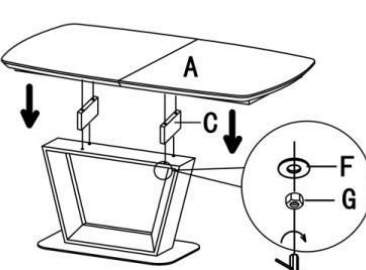
1





2



3



| | | |
|----------------|--|---|
| A | | 1 |
| A ₁ | | 1 |
| B | | 1 |
| C | | 2 |
| D | | 1 |
| E | | 4 |
| F | | 4 |
| G | | 4 |
| H | | 8 |

HALMAR Sp. z o.o.
 ul. Centralnego Okręgu Przemysłowego 2, 37-450 Stalowa Wola, POLSKA / POLAND
 tel. +48 15 843 28 10, fax: +48 15 842 19 57, e-mail: office@halmar.com.pl

v.2