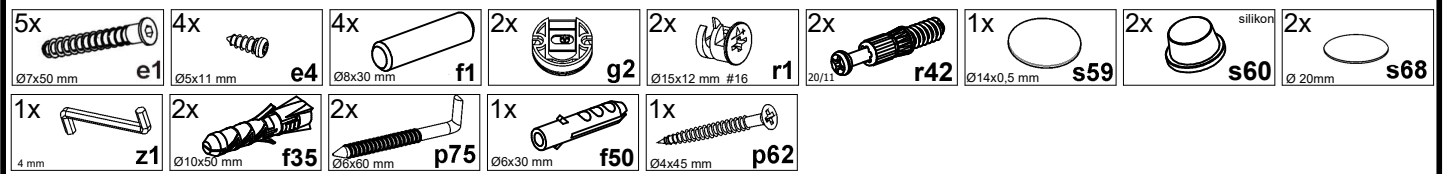
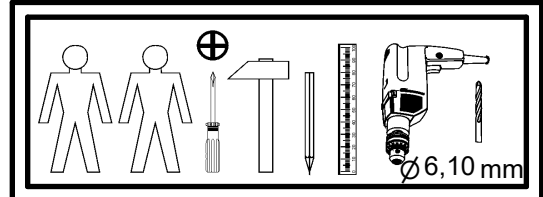
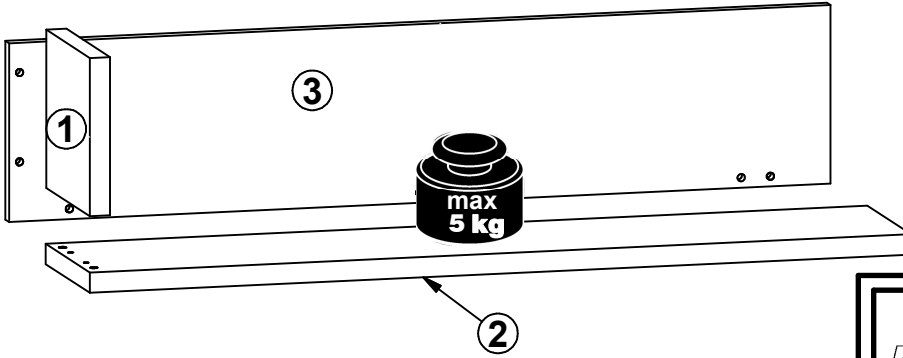
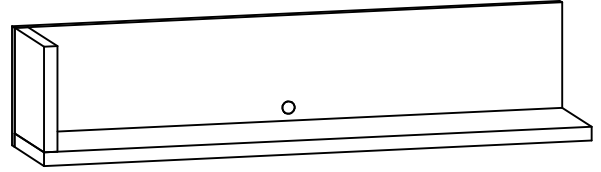
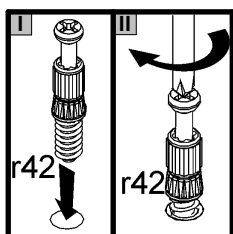
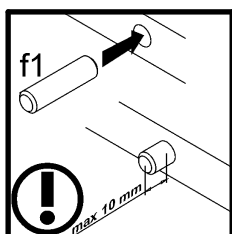
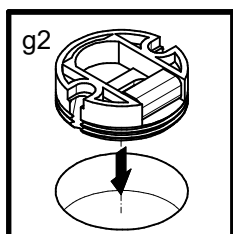
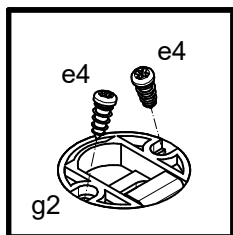
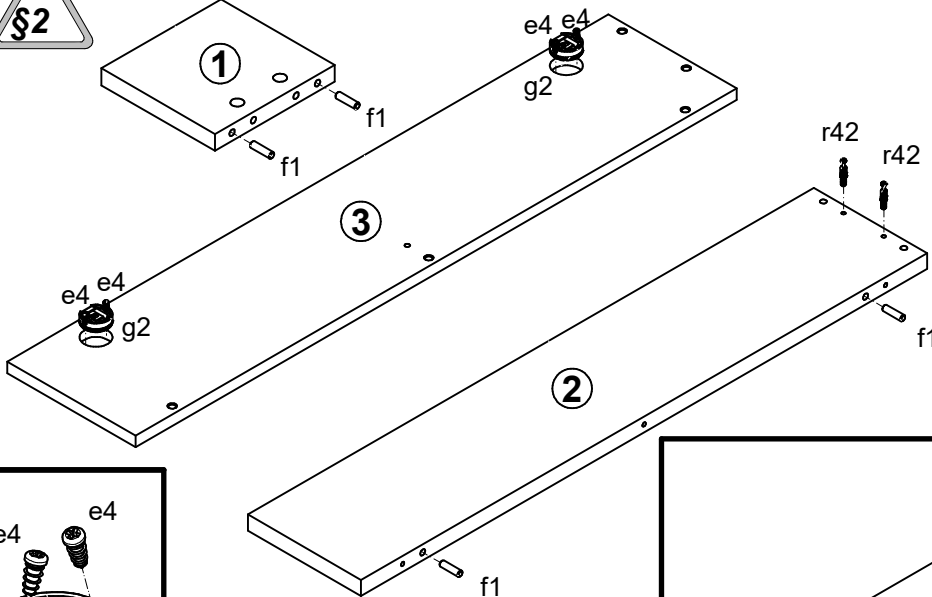


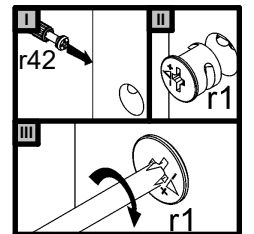
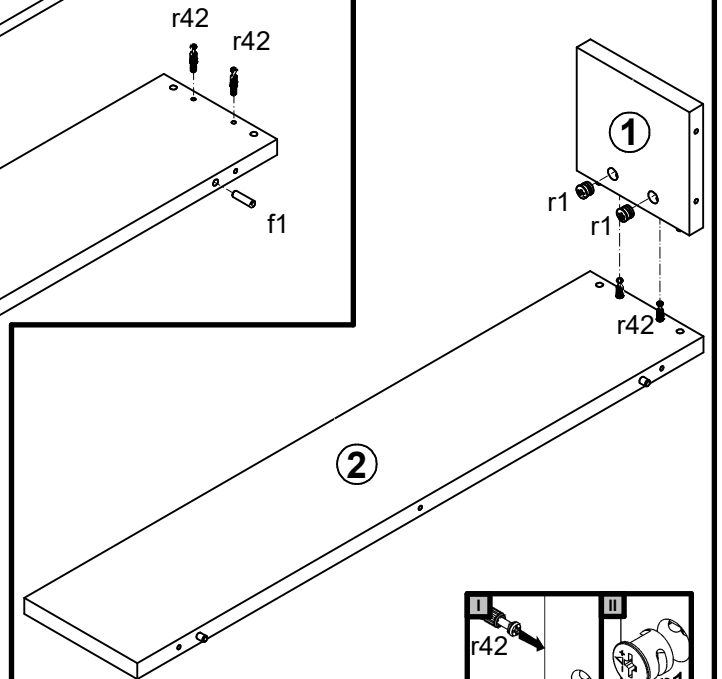
A	B	C	D	
1	S462-1033	170	179	1/1
2	S462-3019	900	180	1/1
3	S462-4014	900	192	1/1



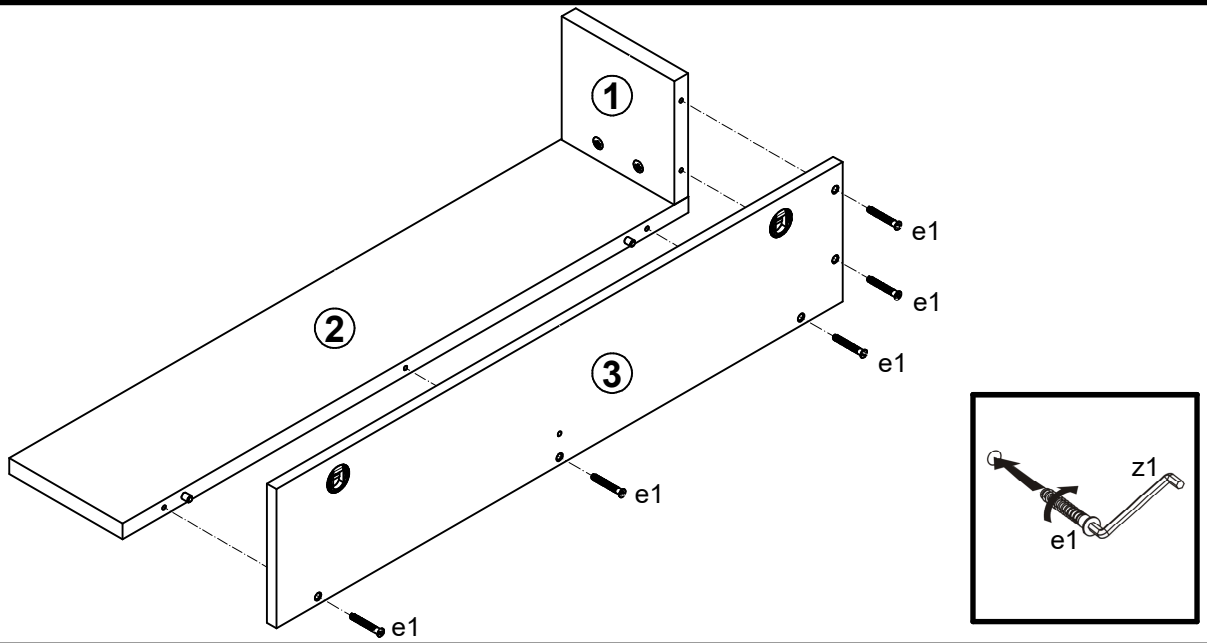
1 §2



2 §6



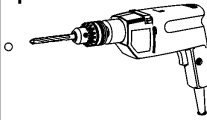
3



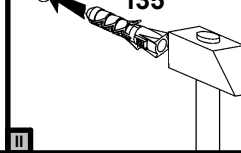
4



φ10 mm



f35



f35



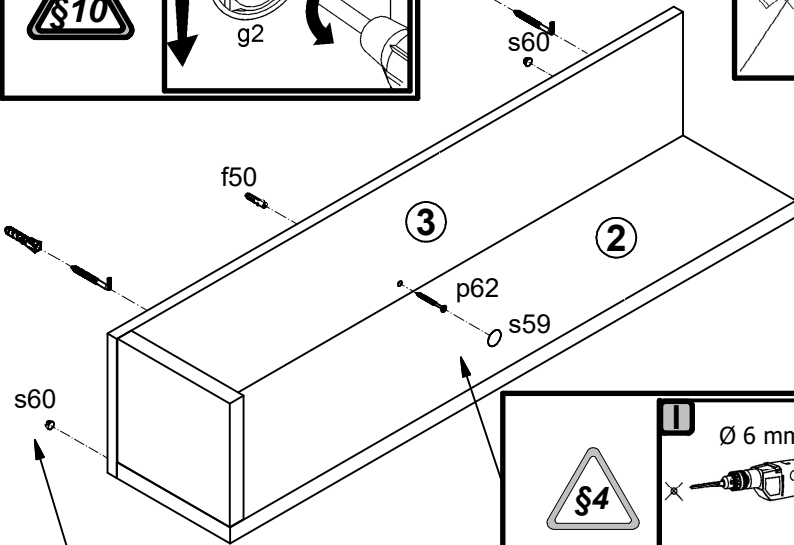
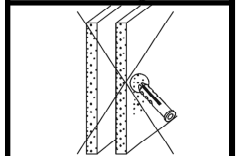
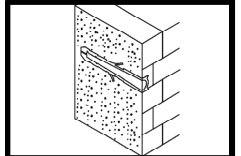
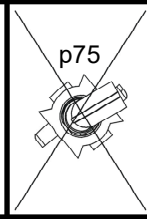
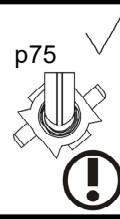
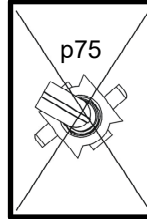
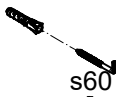
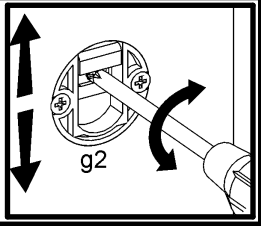
p75

1cm

p75



f35



Ø 6 mm



f50



p62



s59

