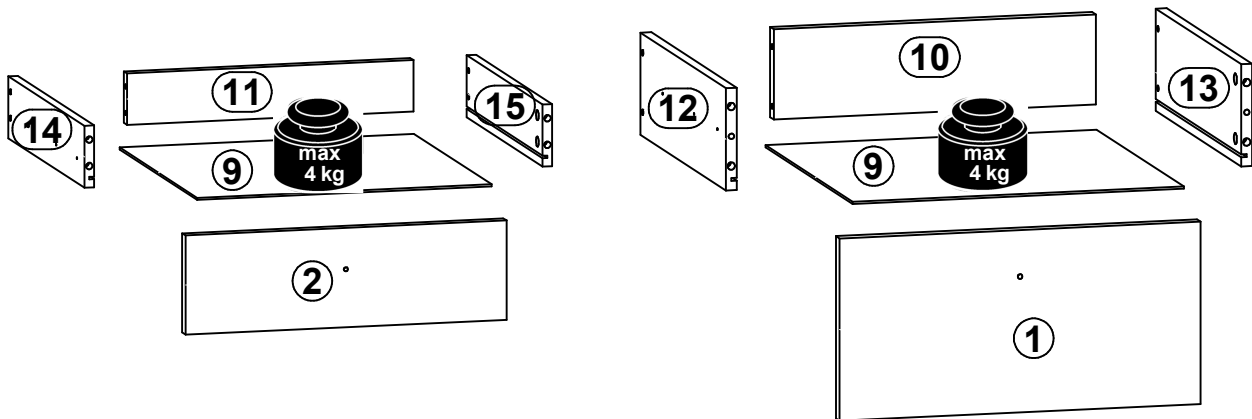
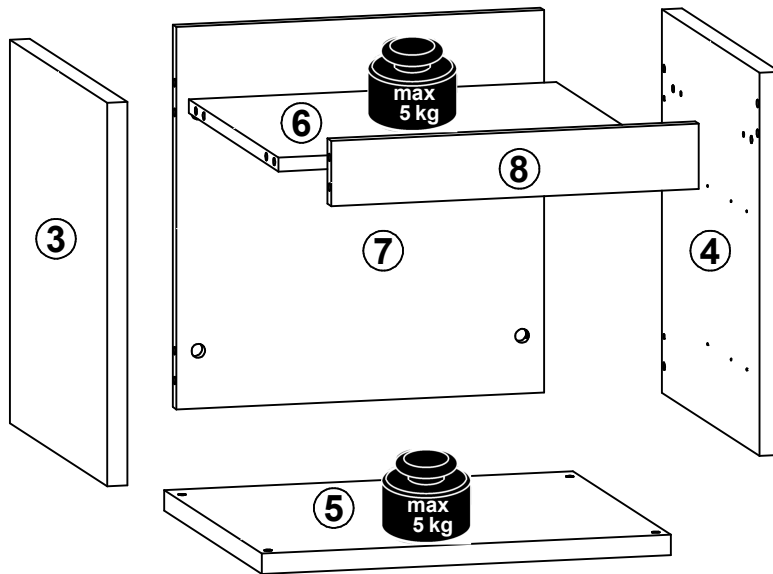
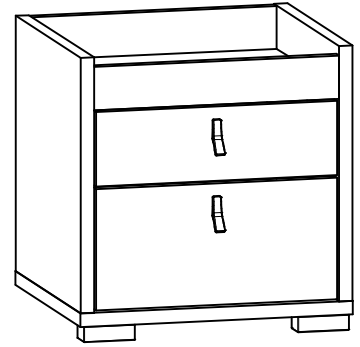
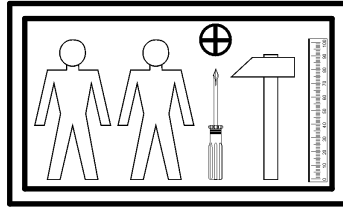
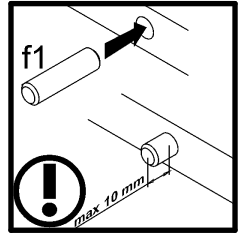
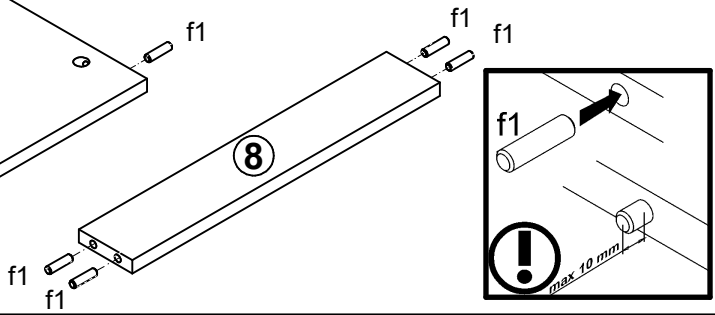
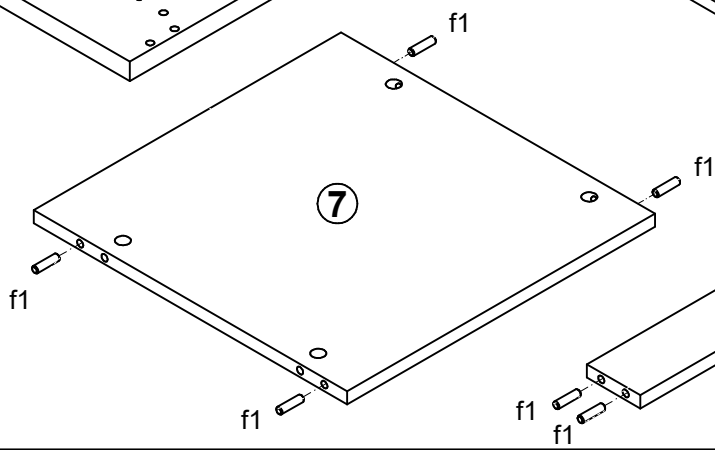
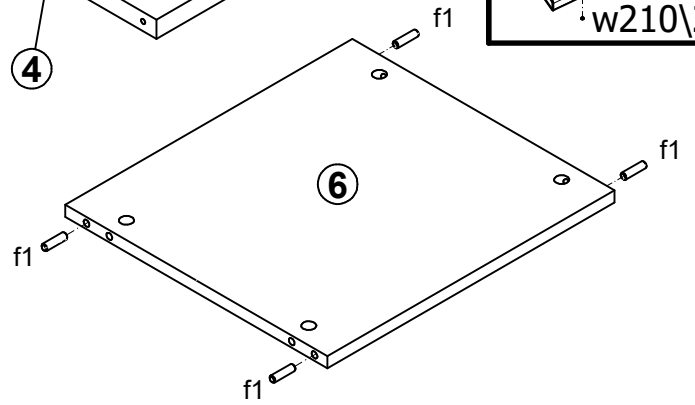
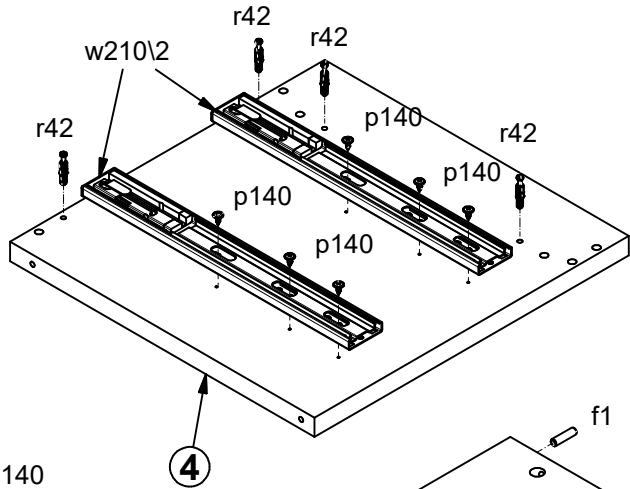
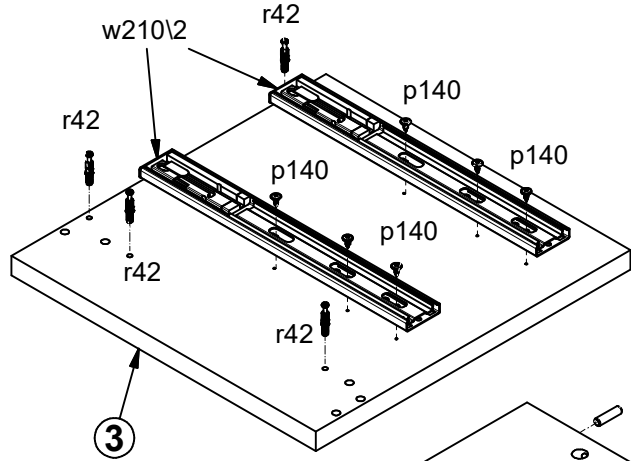
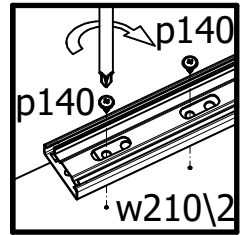
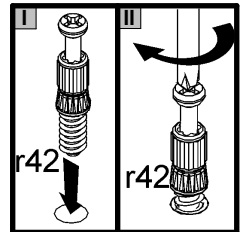
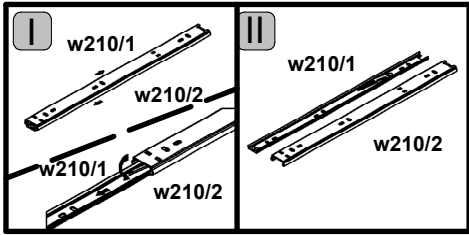


| A | B | C | D | |
|----|-----------|-----|-----|-----|
| 1 | S462-0022 | 396 | 196 | 1/1 |
| 2 | S462-0023 | 396 | 120 | 1/1 |
| 3 | S462-1031 | 412 | 399 | 1/1 |
| 4 | S462-1032 | 412 | 399 | 1/1 |
| 5 | S462-2017 | 448 | 400 | 1/1 |
| 6 | S462-3018 | 403 | 368 | 1/1 |
| 7 | S462-4012 | 403 | 411 | 1/1 |
| 8 | S462-4013 | 403 | 70 | 1/1 |
| 9 | S462-9013 | 363 | 357 | 1/1 |
| 10 | S462-5010 | 353 | 97 | 1/1 |
| 11 | S462-5009 | 353 | 62 | 1/1 |
| 12 | ZK4-523 | 350 | 110 | 1/1 |
| 13 | ZK4-524 | 350 | 110 | 1/1 |
| 14 | ZK4-533 | 350 | 75 | 1/1 |
| 15 | ZK4-534 | 350 | 75 | 1/1 |

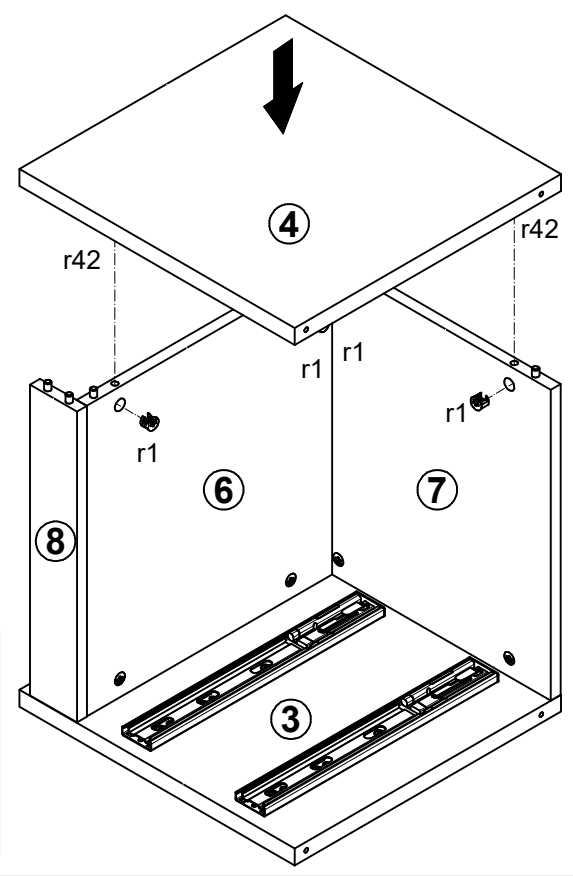
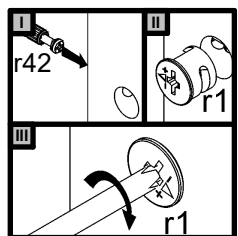
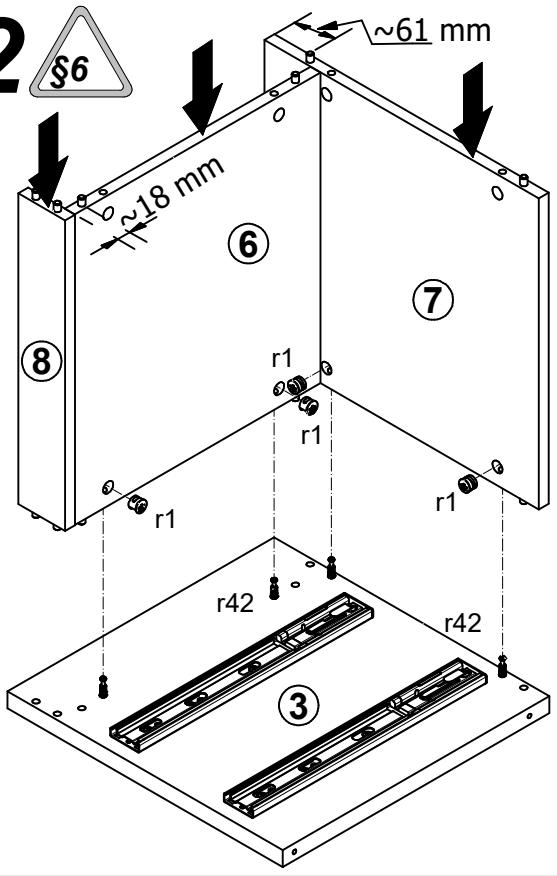


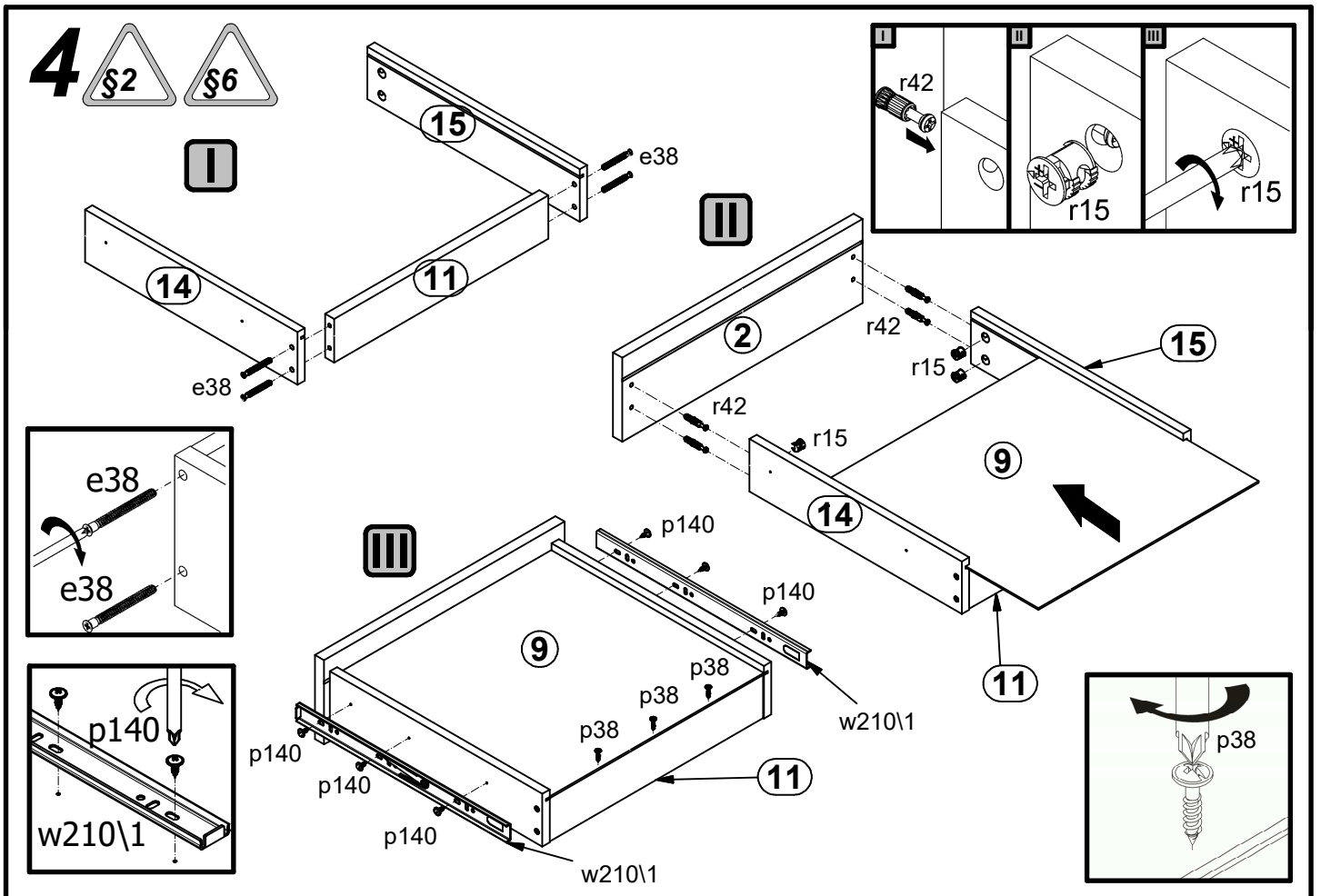
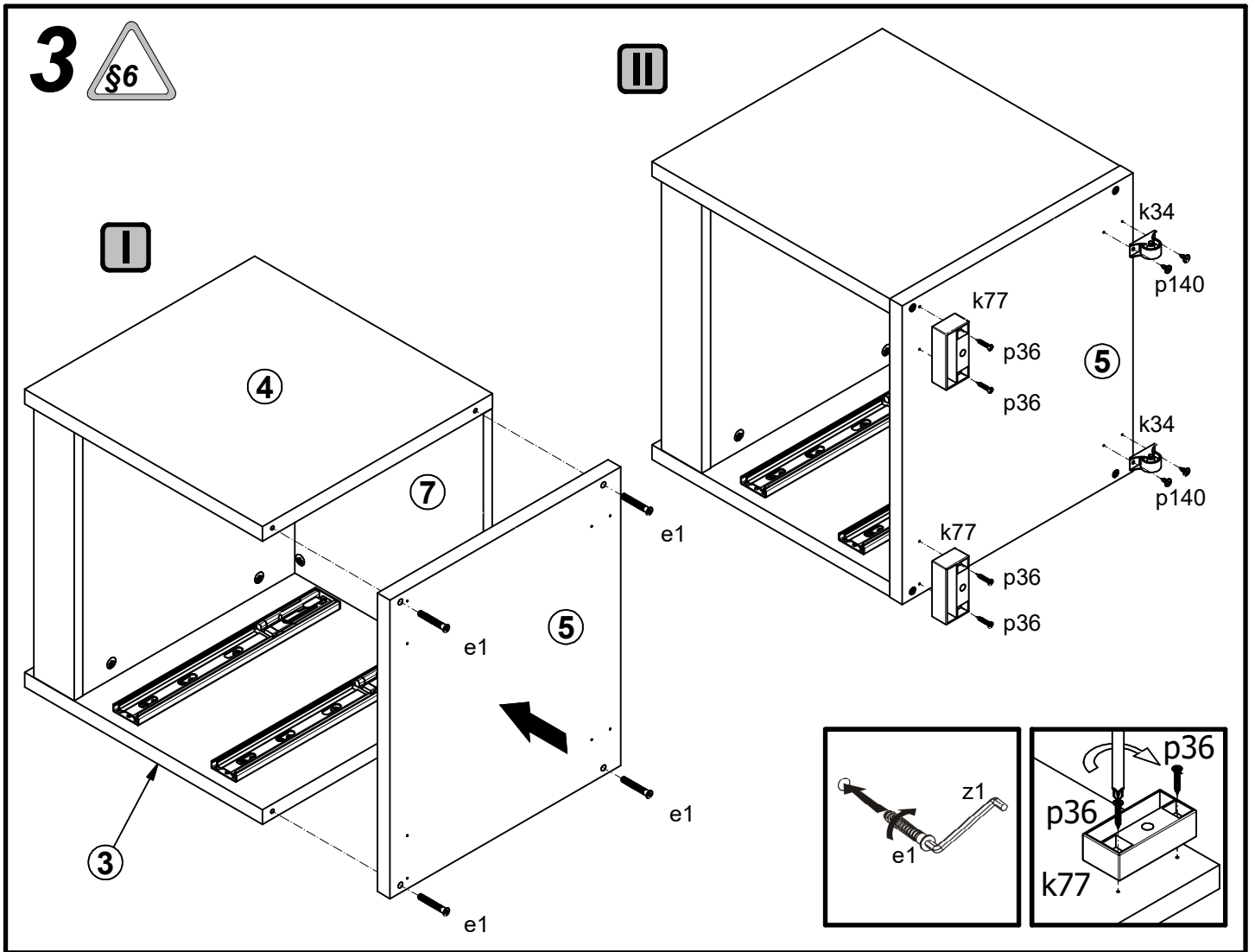
| | | | | | | | | |
|------------------------------------|--------------------------------------|--------------------------------------|---|---------------------------------|-------------------------------------|-------------------------------------|-------------------------------------|----------------------------------|
| 2x c512 | 4x Ø7x50 mm e1 | 8x Ø6x45 mm e38 | 12x Ø8x30 mm f1 | 2x Ø6x30 mm f9 | 2x M4x20 mm j1 | 2x Ø25 mm k34 | 2x 84x40/25 mm k77 | 4x Ø4x25 mm p36 |
| 6x Ø3,5x16 mm p38 | 28x Ø3,5x12 mm p140 | 8x Ø15x12 mm #16 r1 | 8x Ø12x10,5 mm #12 r15 | 16x 20/11 r42 | 4x L-350 mm w210\1 | 4x L-350 mm w210\2 | 1x 4 mm z1 | |

1

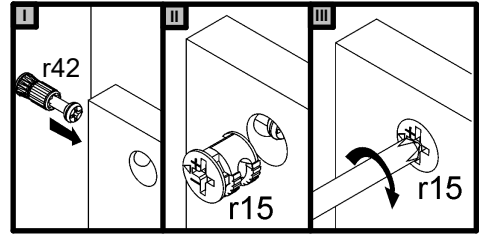
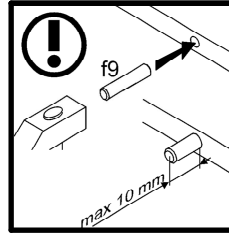


2

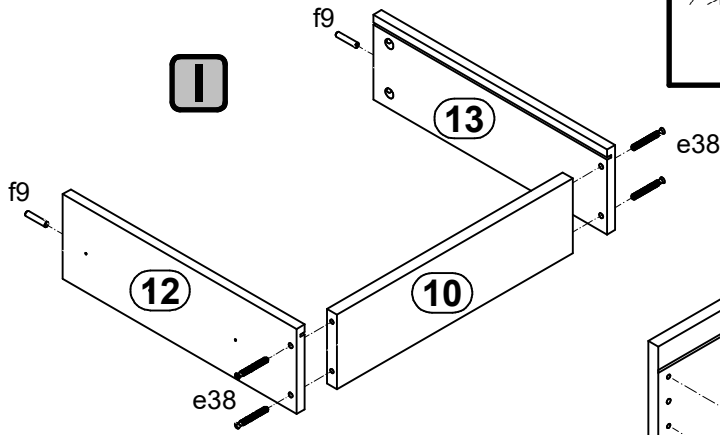




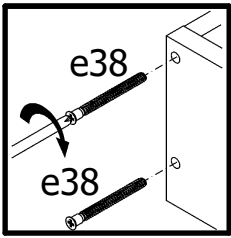
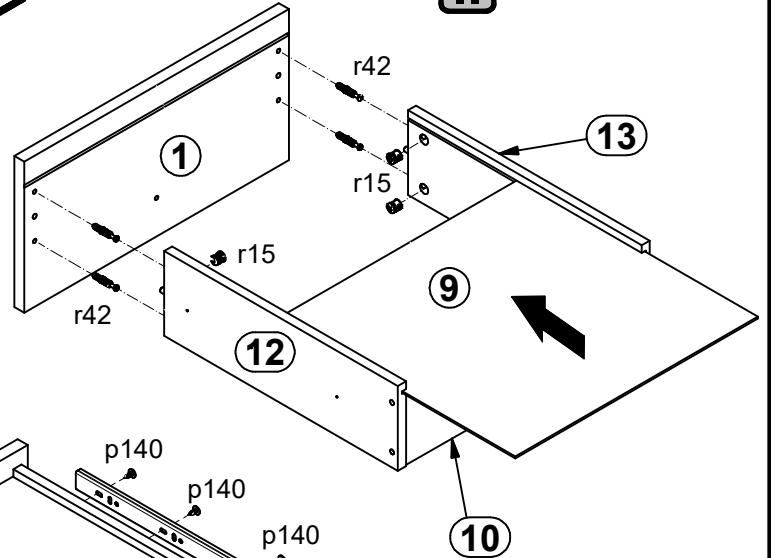
5



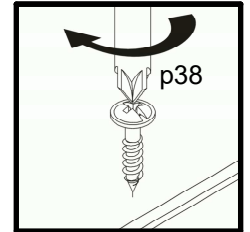
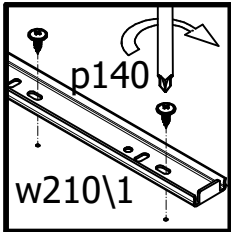
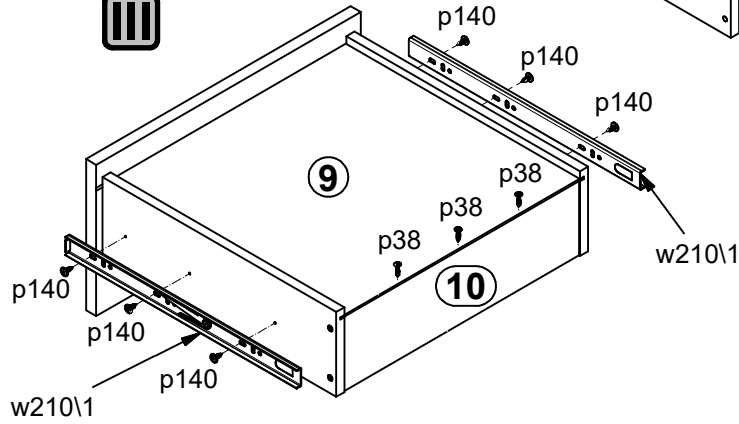
I



II



III



6

