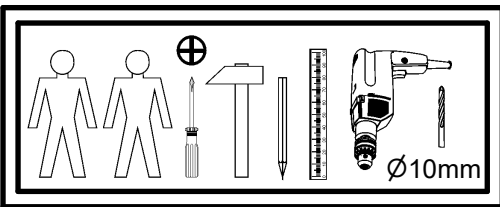
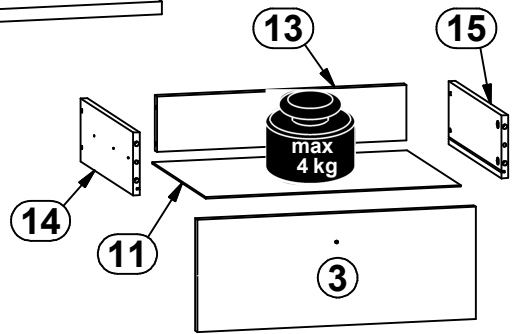
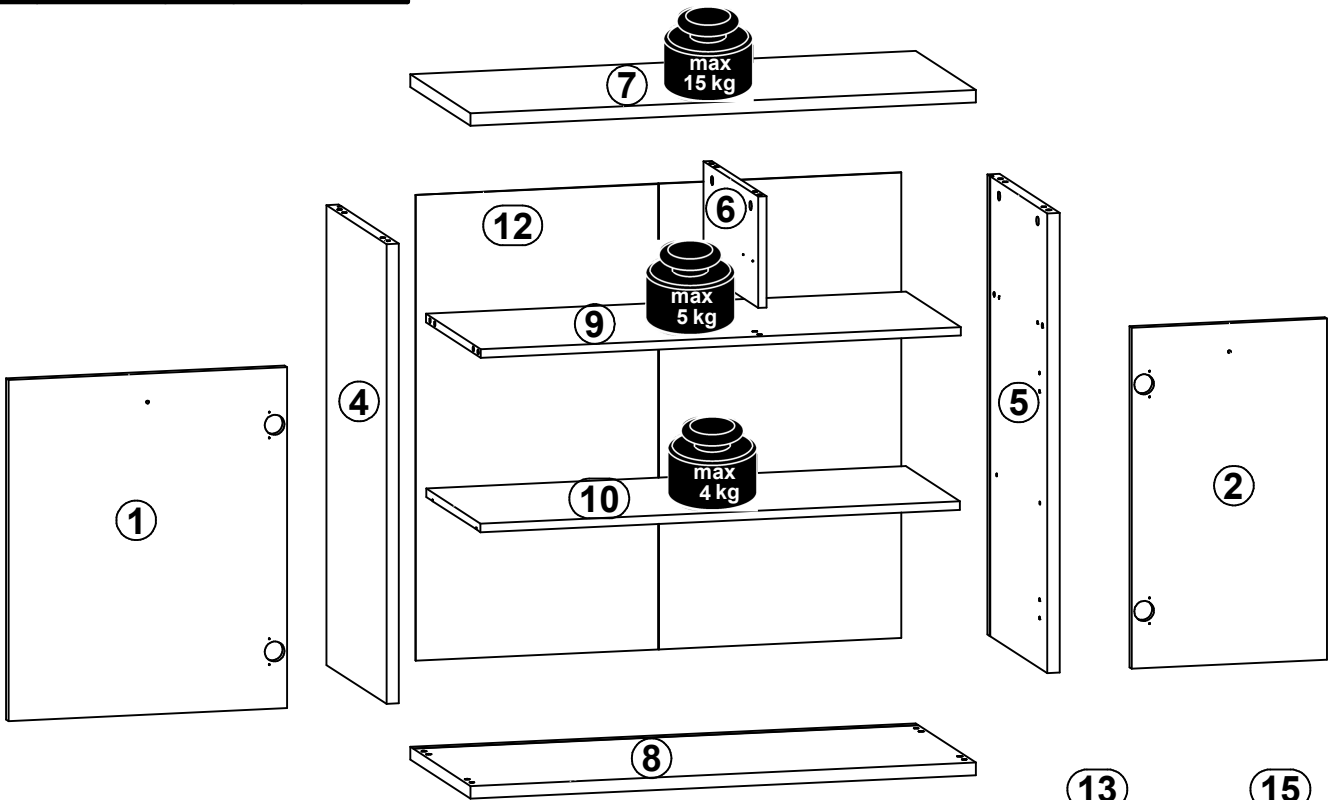
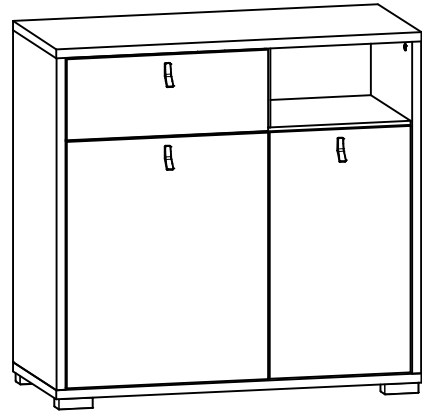
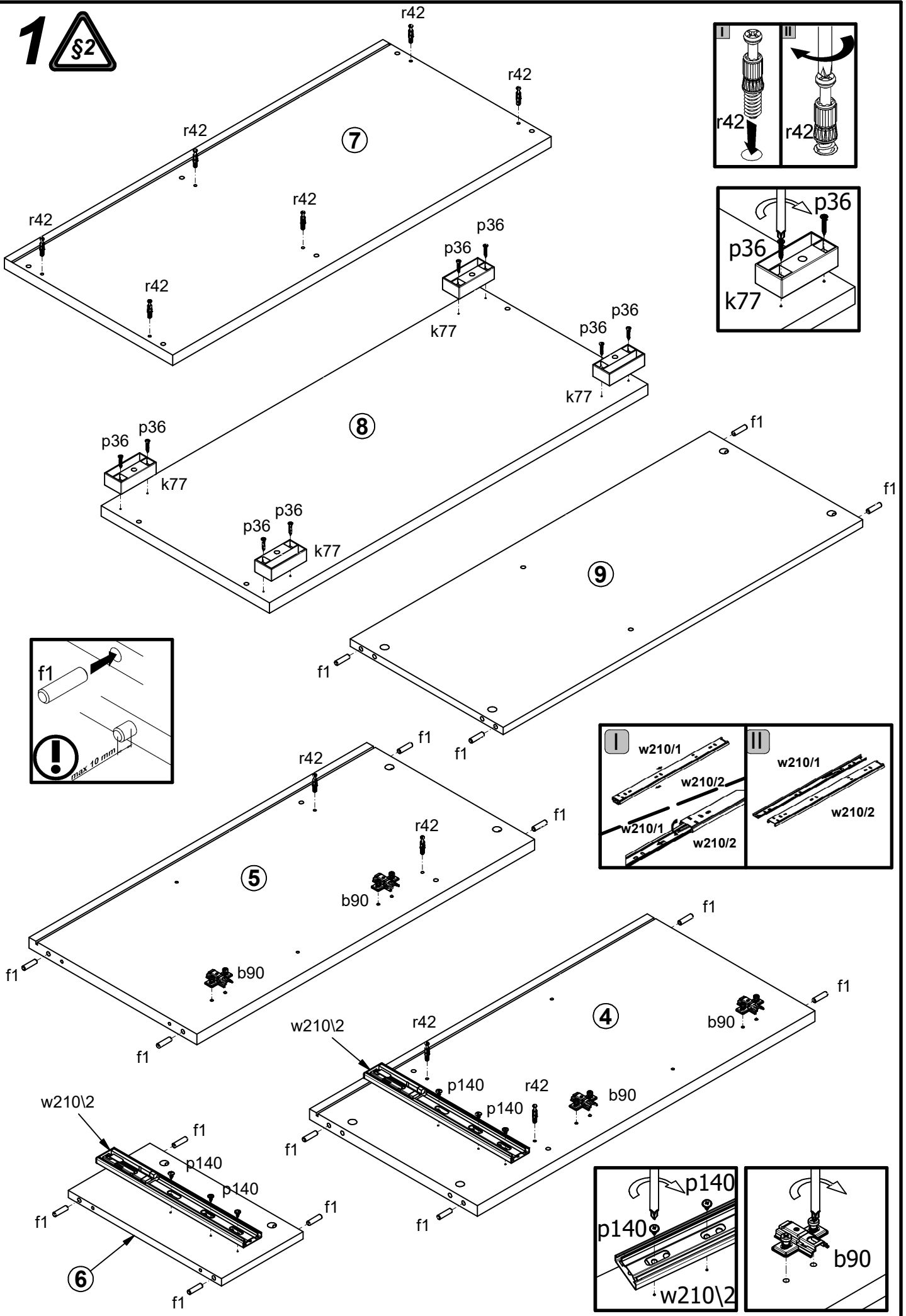


A	B	C	D	
1	S462-0005	596	496	1/2
2	S462-0006	596	348	2/2
3	S462-0007	496	196	1/2
4	S462-1007	803	399	2/2
5	S462-1008	803	399	2/2
6	S462-1009	194	364	2/2
7	S462-2003	900	400	2/2
8	S462-2004	900	400	2/2
9	S462-3004	855	364	1/2
10	S462-3005	854	360	1/2
11	S462-9006	454	357	1/2
12	S462-9301	813	865	1/2
13	ZK3-5058	444	97	1/2
14	ZK4-523	350	110	1/2
15	ZK4-524	350	110	1/2

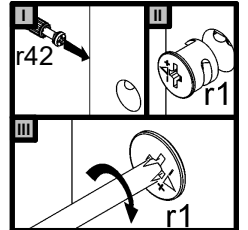
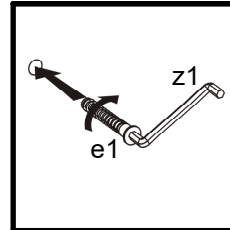
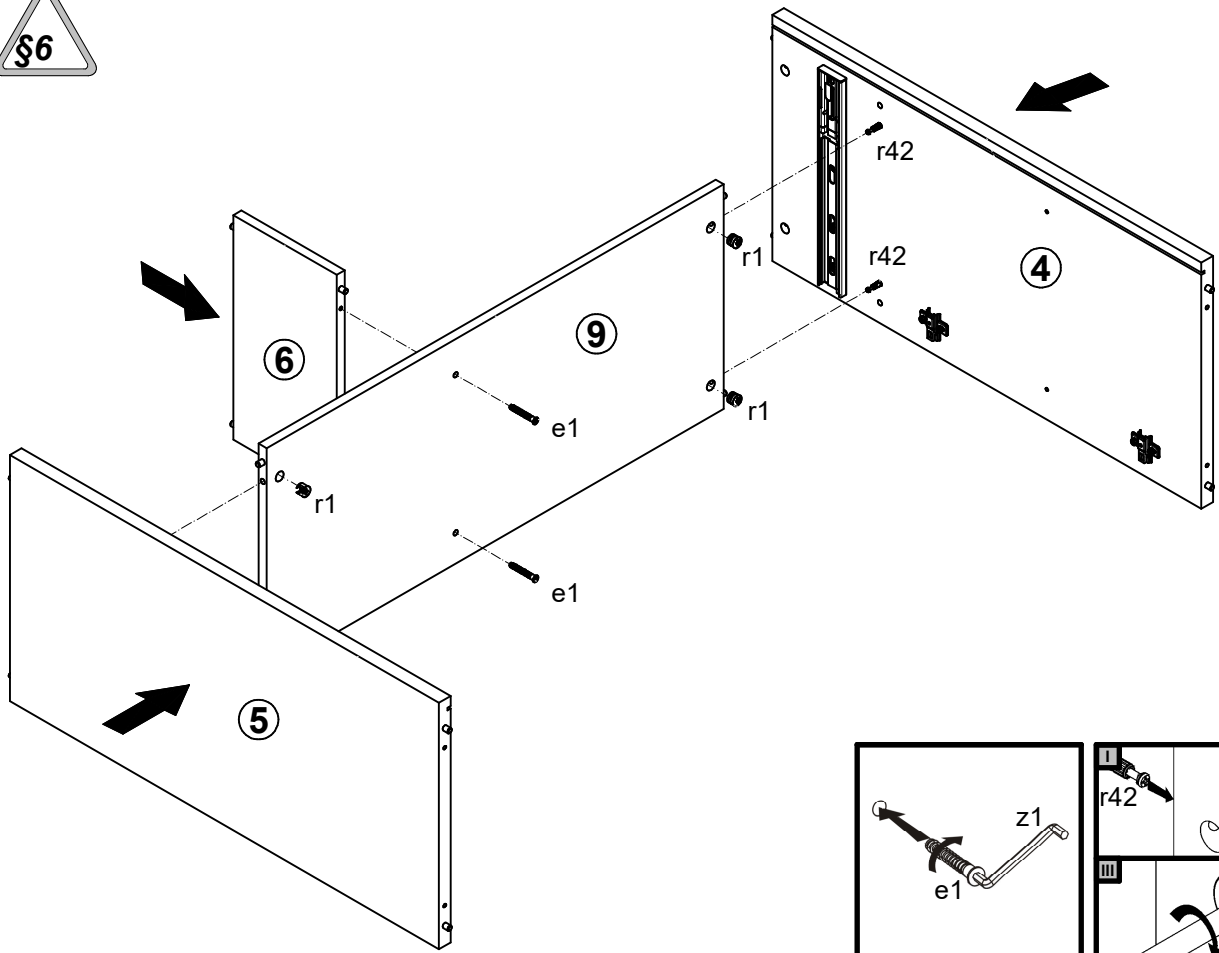


2x hamulec a203	2x a210	4x b90	3x c512	4x Ø5x17 mm d1	6x Ø7x50 mm e1	16x Ø8x30 mm f1	2x Ø6x30 mm f9	4x Ø6.5x40 mm f25
3x M4x20 mm j1	4x 84x40/25 mm k77	8x l2	8x Ø4x25 mm p36	3x Ø3.5x16 mm p38	8x Ø3.5x15 mm p51	4x Ø2.9x16 mm p55	12x Ø3.5x12 mm p140	10x Ø15x12 mm #16 r1
4x Ø12x10.5 mm #12 r15	14x 20/11 r42	2x L-350 mm w210\1	2x L-350 mm w210\2	2x Ø 20mm s68	1x 4 mm z1			
						1x n26	1x Ø3.5x16 mm p38	

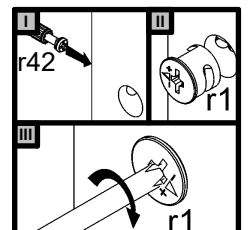
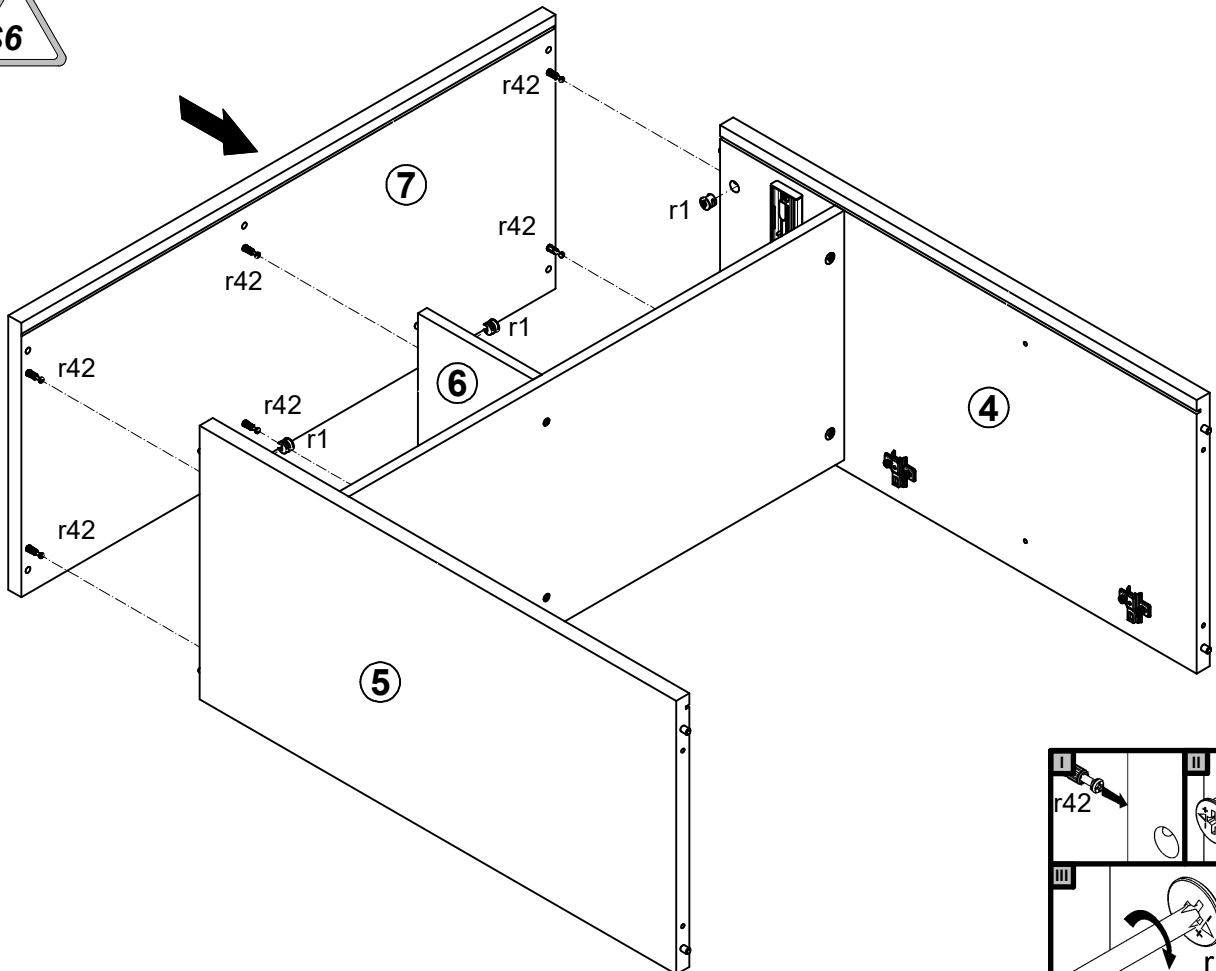
1 §2



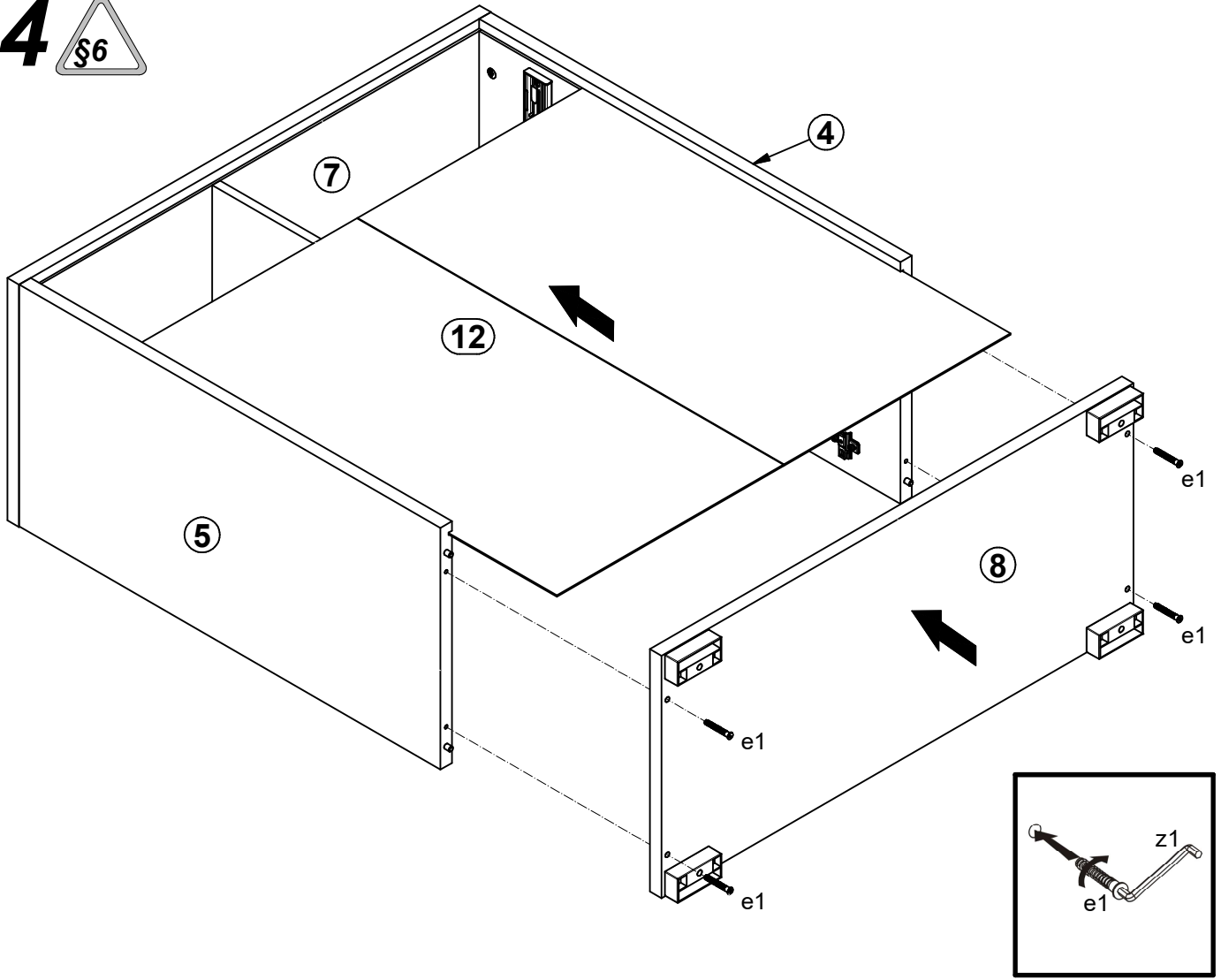
2 



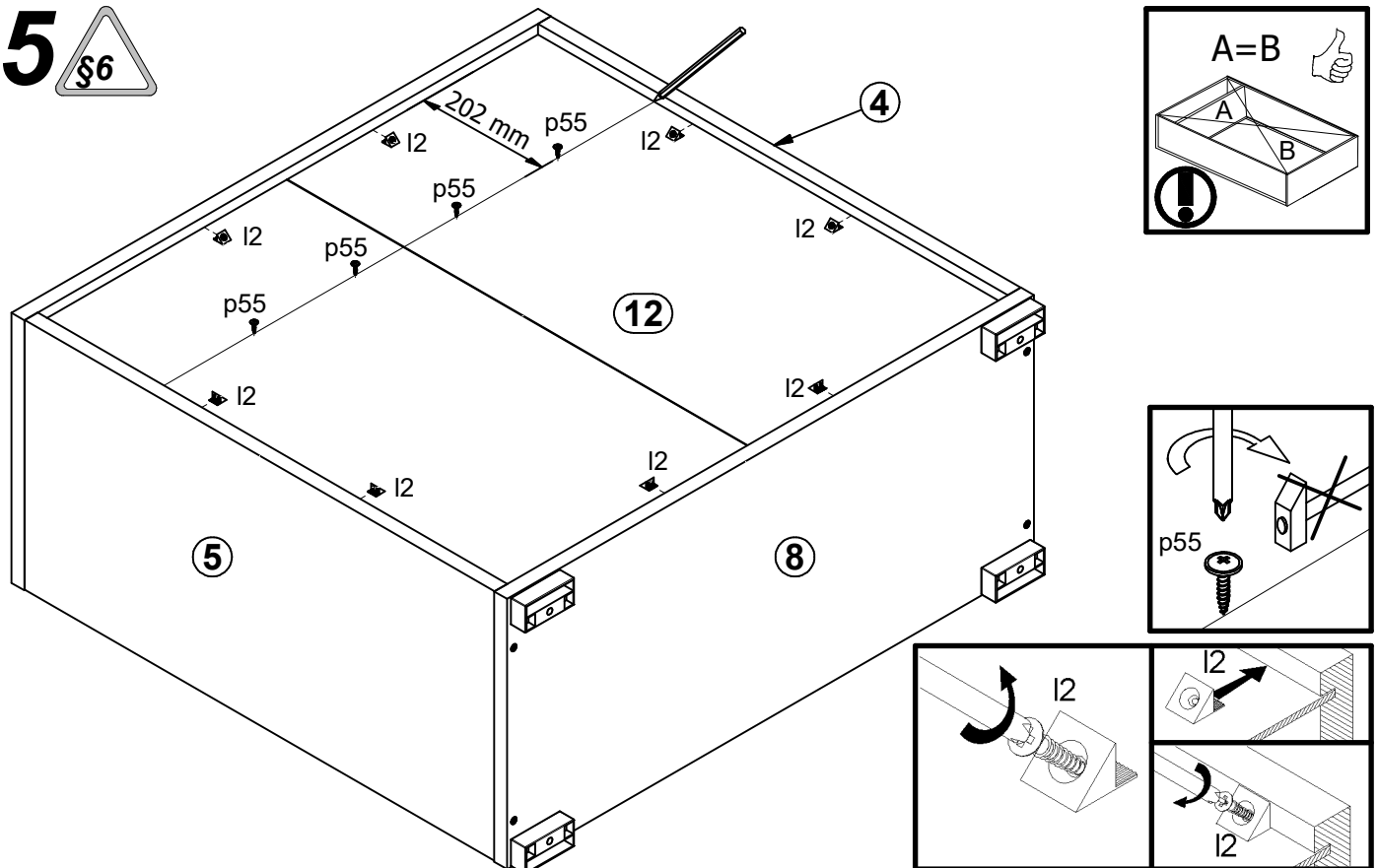
3 



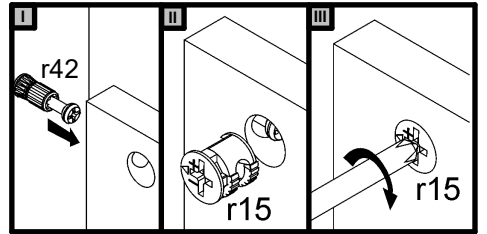
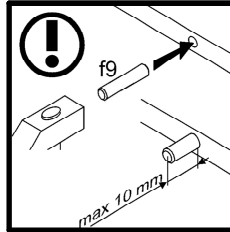
4 §6



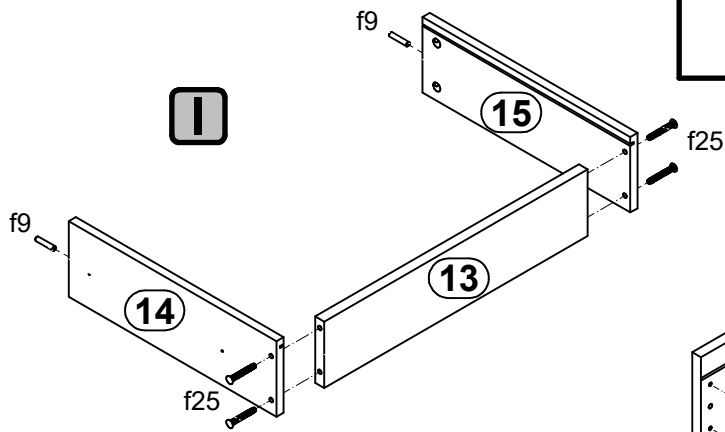
5 §6



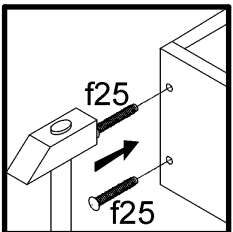
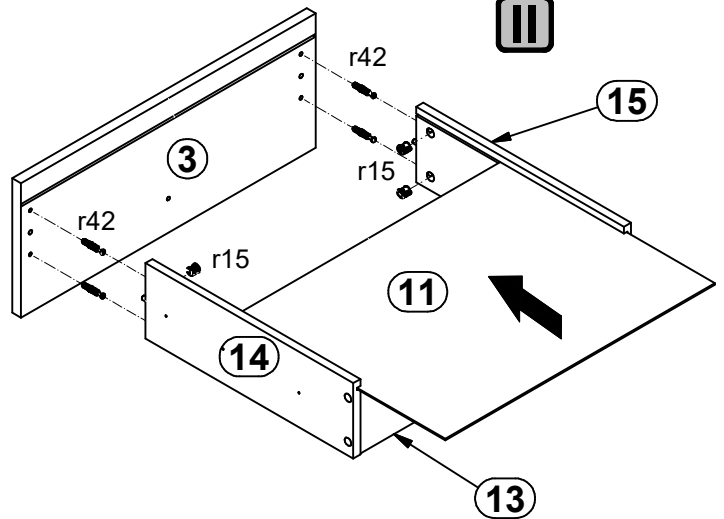
6



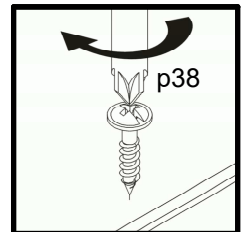
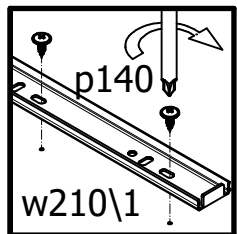
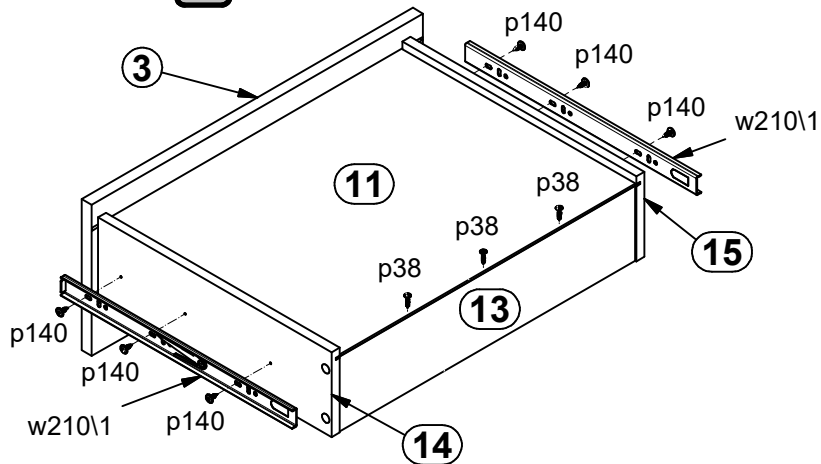
I



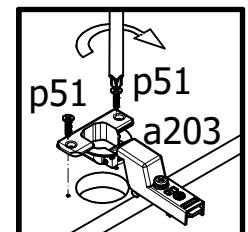
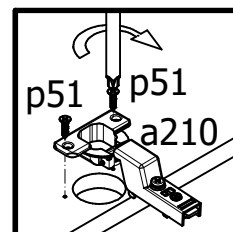
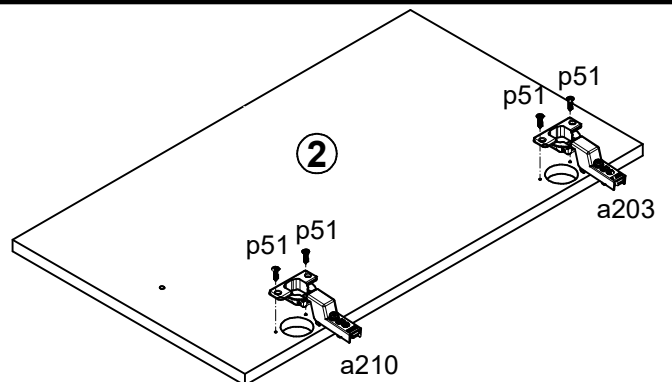
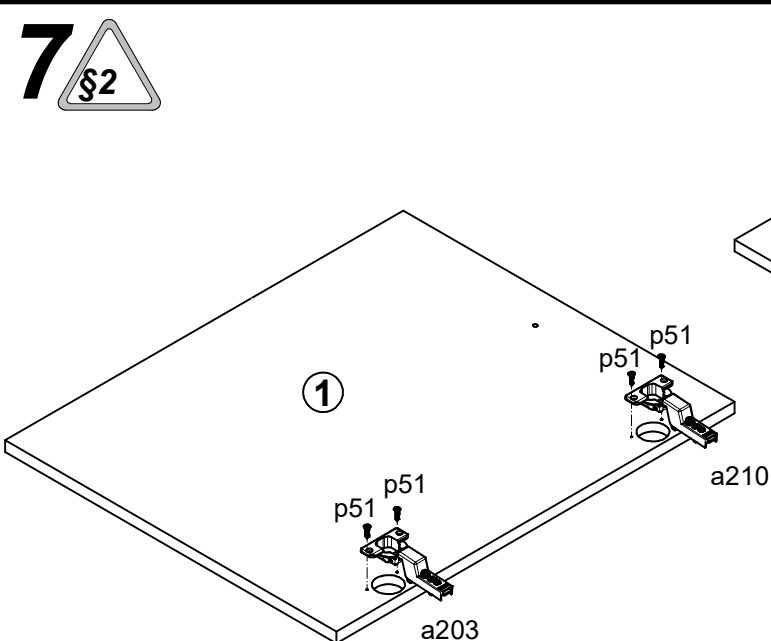
II



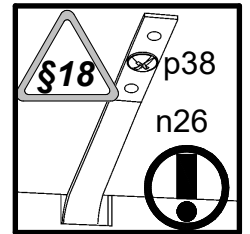
III



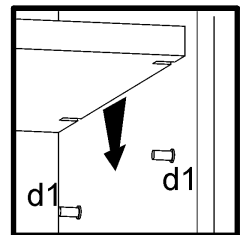
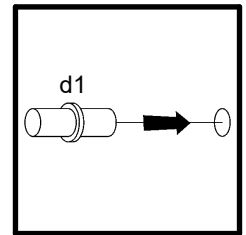
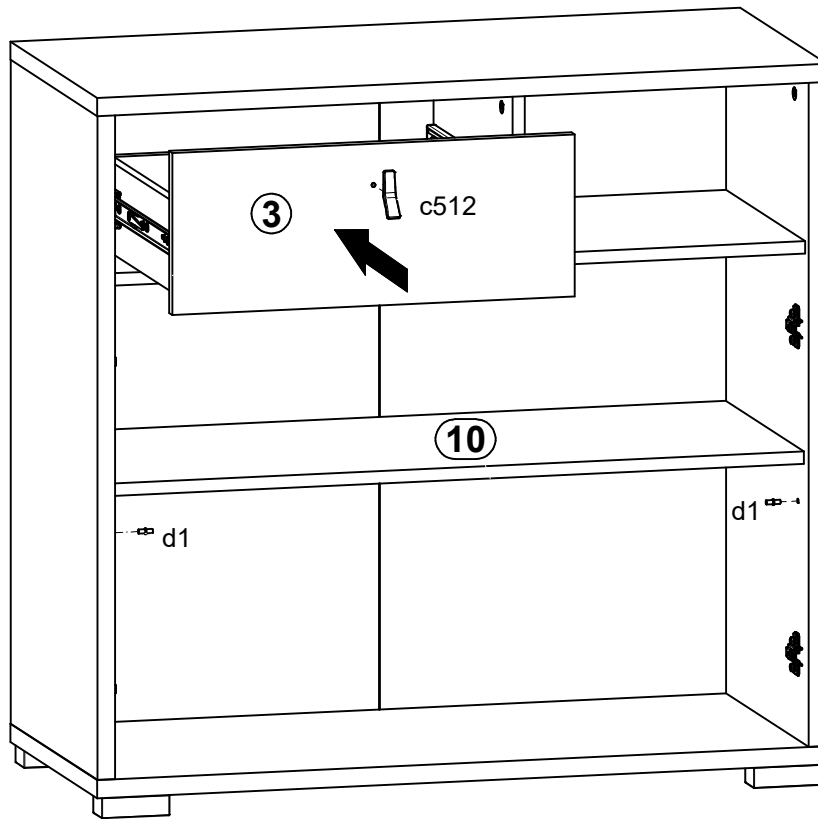
7



8 §6



I



II

