

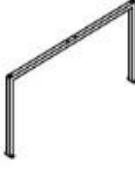







# CRYSTAL A

| A-1pc   | B-1pc   | C-1pc   | D-2pcs  | E-12pcs   | F-1pc   | G-6pcs  | H-1pc   |
|---|---|---|---|---|---|---|---|
|  |  |  |  |  |  |  |  |

