




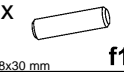
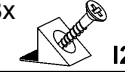



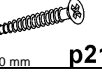

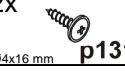







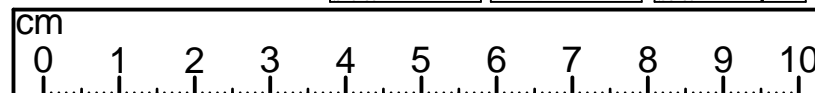
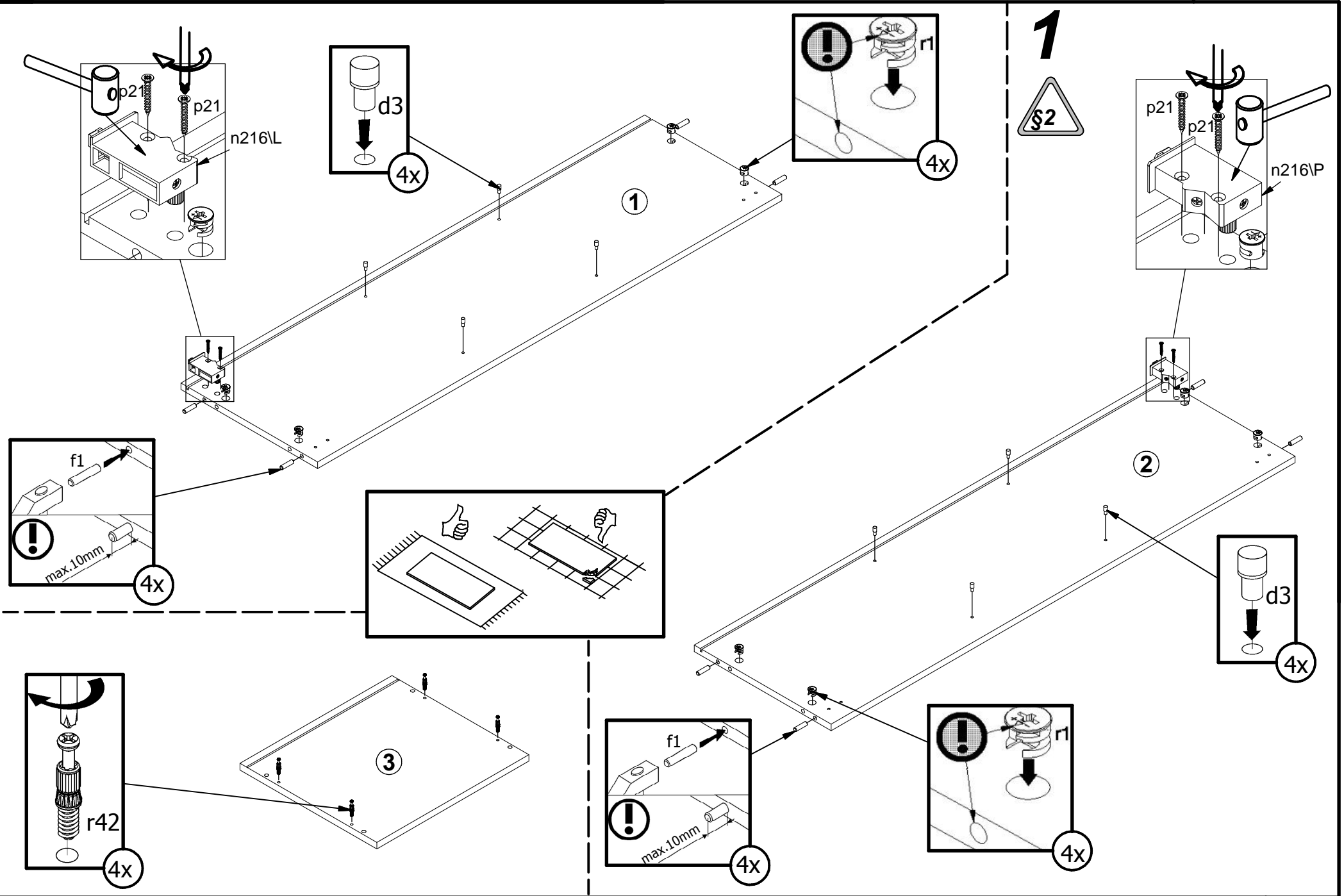


A	B	C1	C2	C3	D
1	S513-1004	1220	360	15	1/1
2	S513-1005	1220	360	15	1/1
3	S513-2003	400	360	15	1/1
4	S513-3005	368	330	5	1/1
5	S513-5551	1056	396	4	1/1
6	S513-7001	125	396	16	1/1
7	S513-7002	125	396	16	1/1
8	S513-9001	1230	379,	2,5	1/1

- 2x  a204
- 2x  b91
- 1x  L-212mm c469\5
- 8x  Ø5x17 mm d3
- 6x  Ø5x12 mm e41
- 8x  Ø8x30 mm f1
- 8x  l2
- 1x  n216L
- 1x  n216P
- 6x  Ø5.3/Ø8.3x4.8 mm o54
- 4x  Ø4x30 mm p21
- 4x  Ø3.5x15 mm p51
- 2x  Ø4x16 mm p131
- 8x  Ø15x12 mm #16 r1
- 8x  Ø10x50 mm r42
- 2x  Ø35x62x40x10 s71
- 8x  Ø16 s2

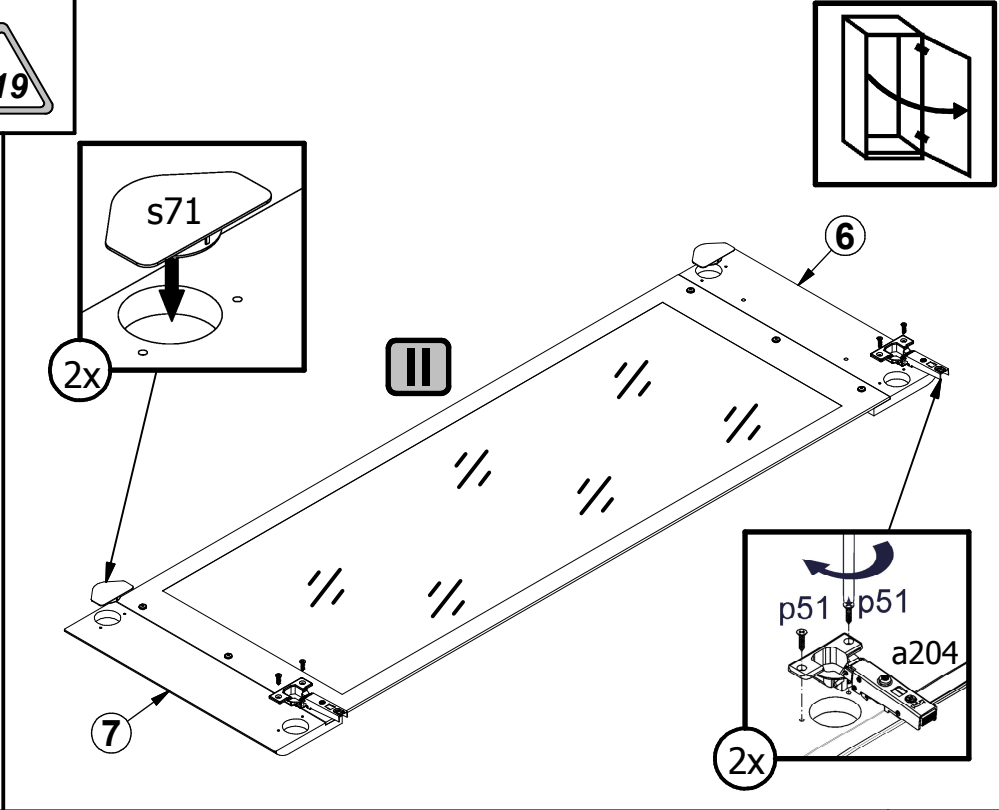
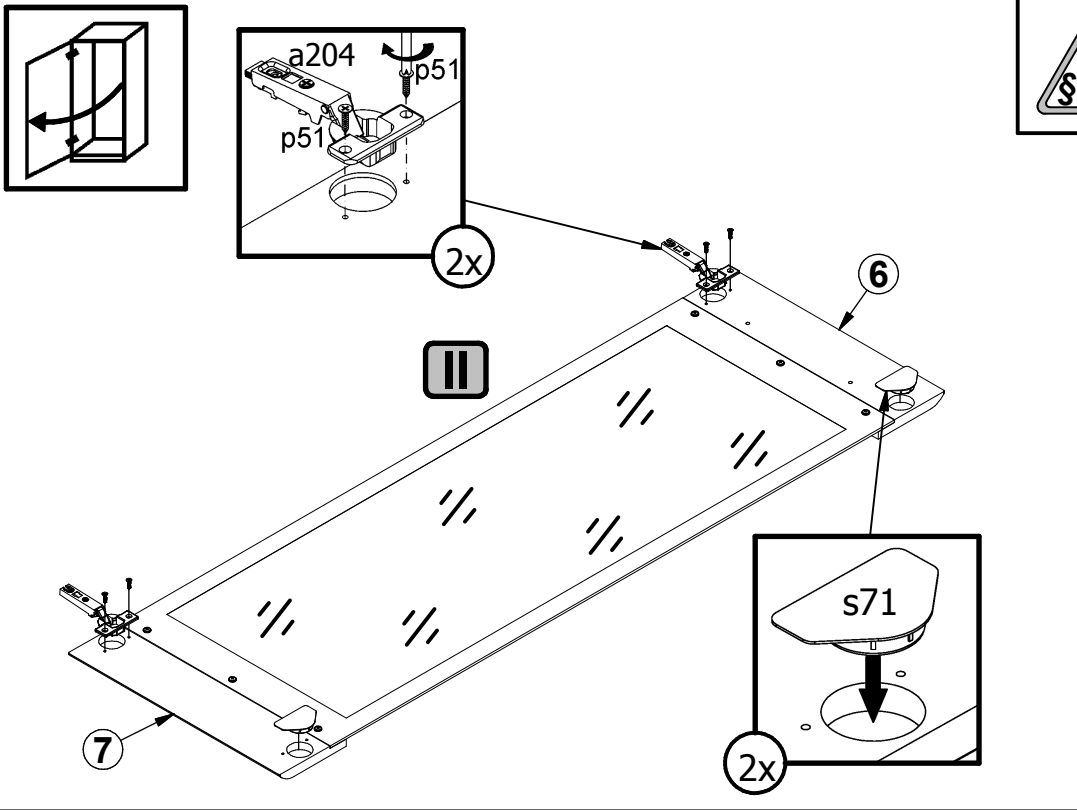
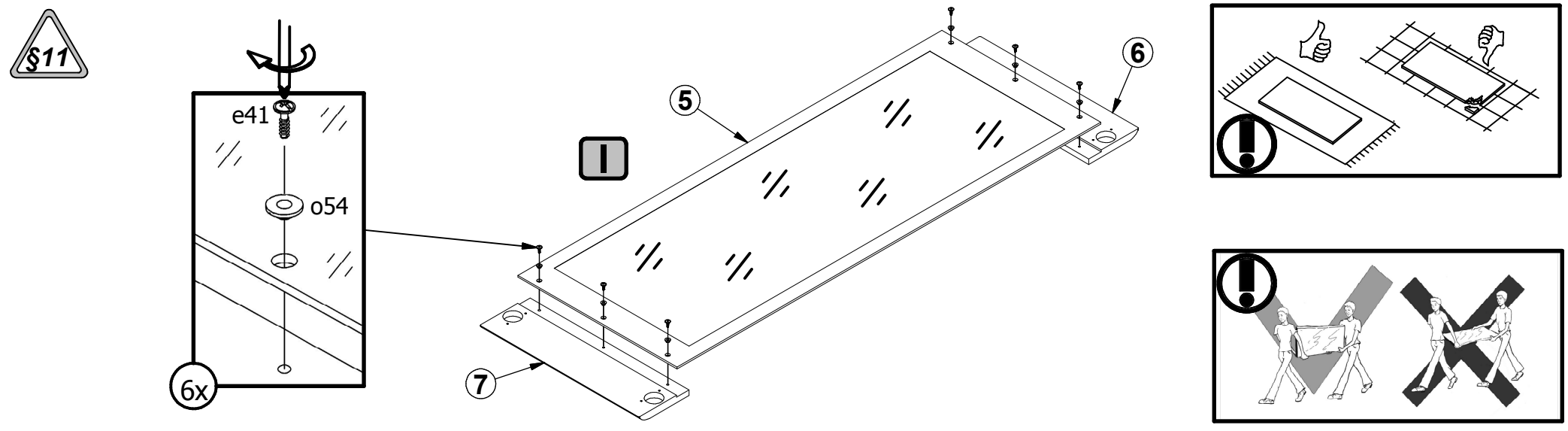
- 4x  Ø10x50 mm f35
- 2x  n217
- 4x  Ø5x60 mm p17





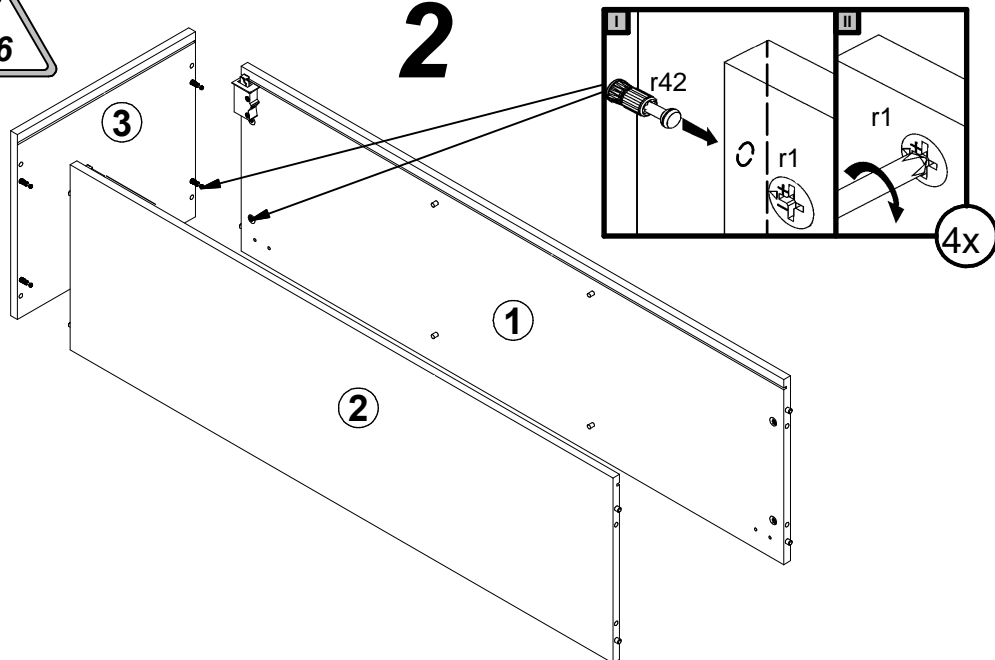
A

S513-SFW1W/13/4

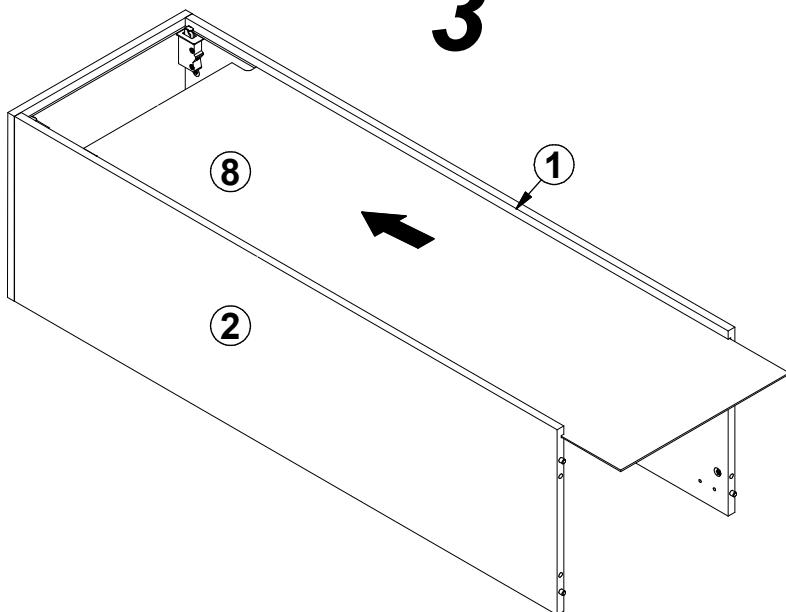




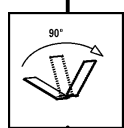
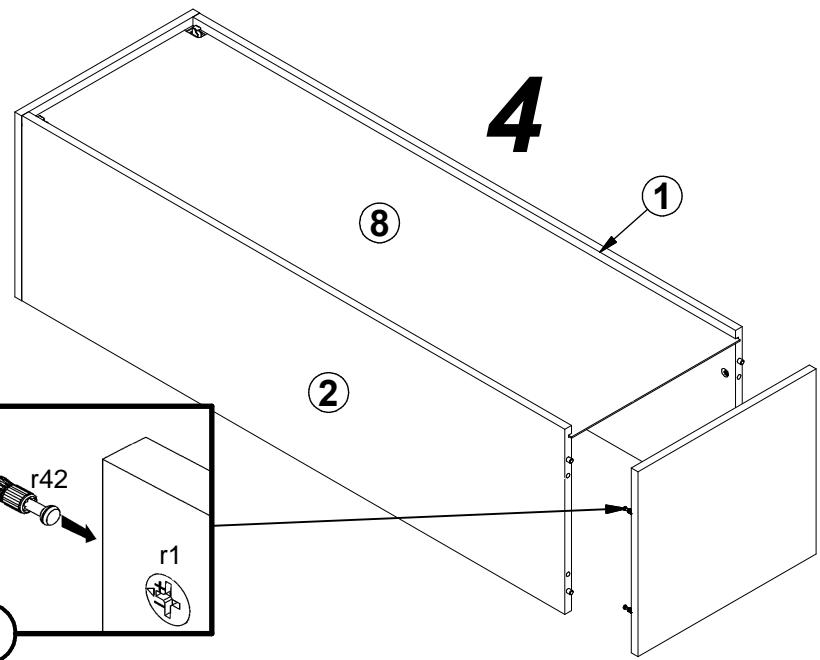
2



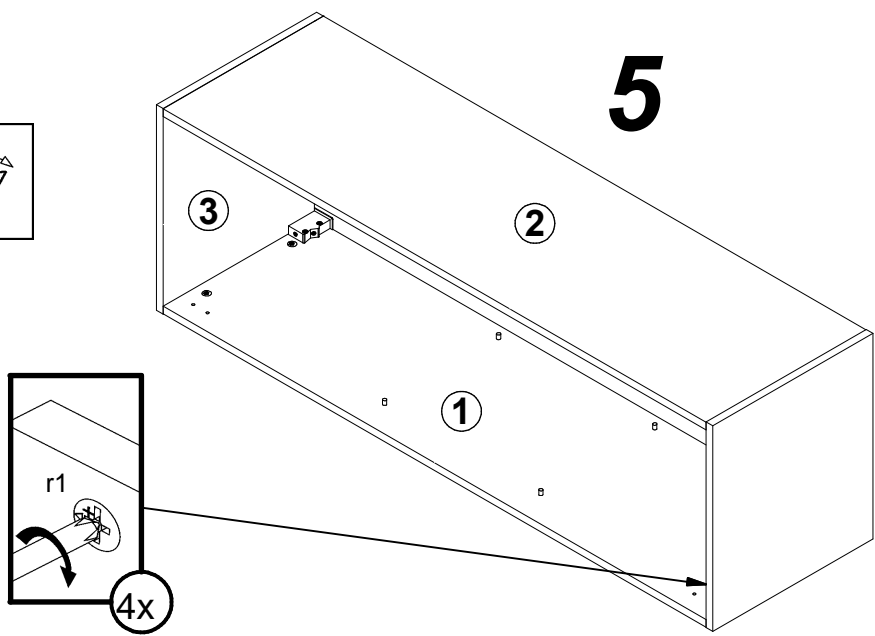
3

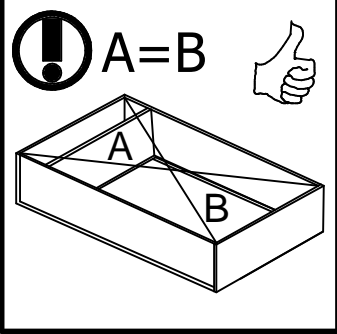


4

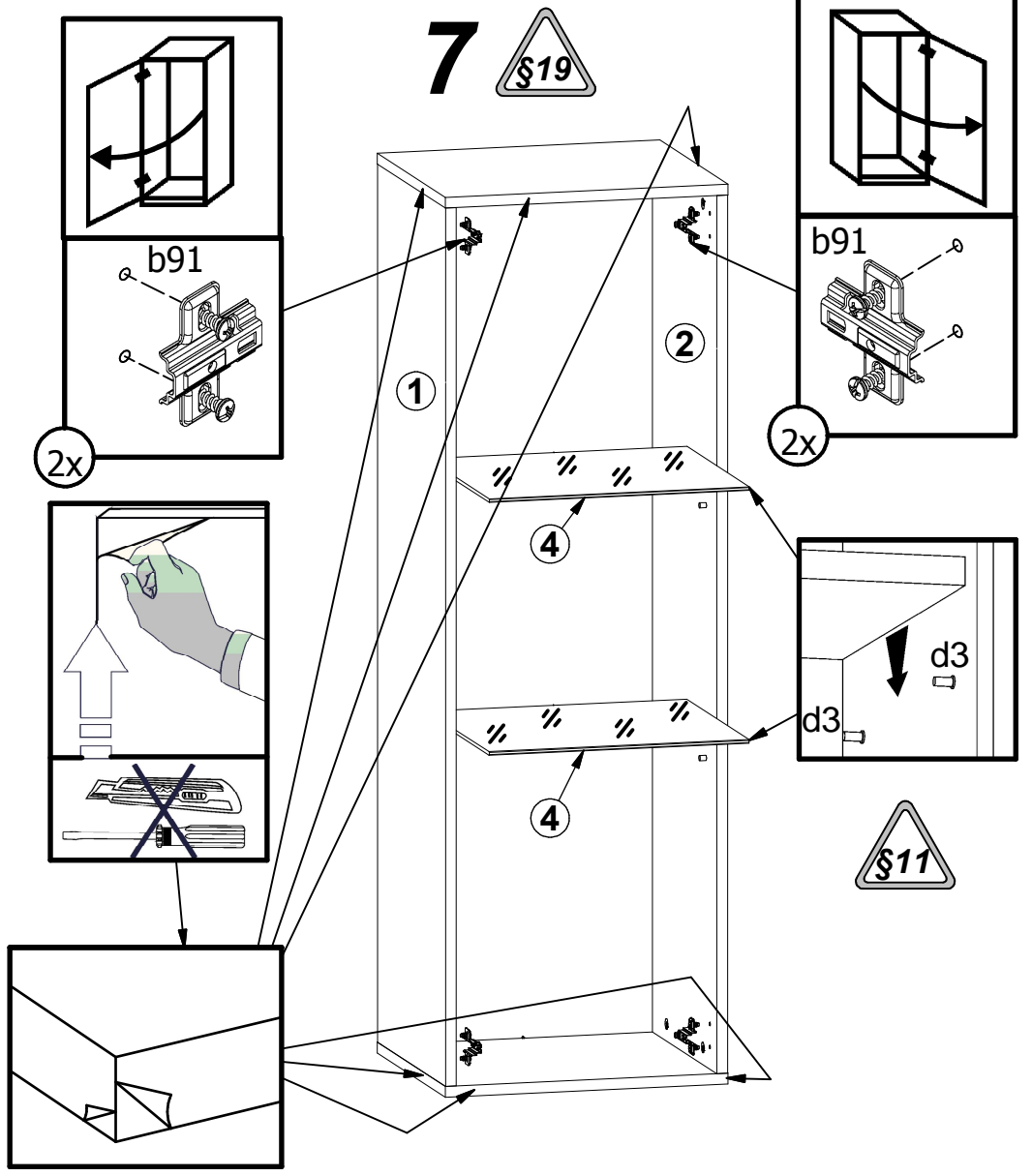
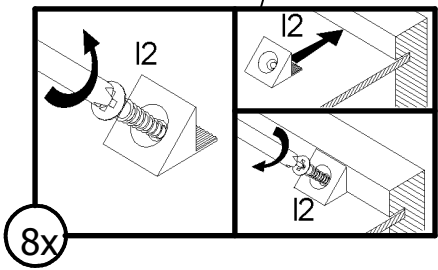
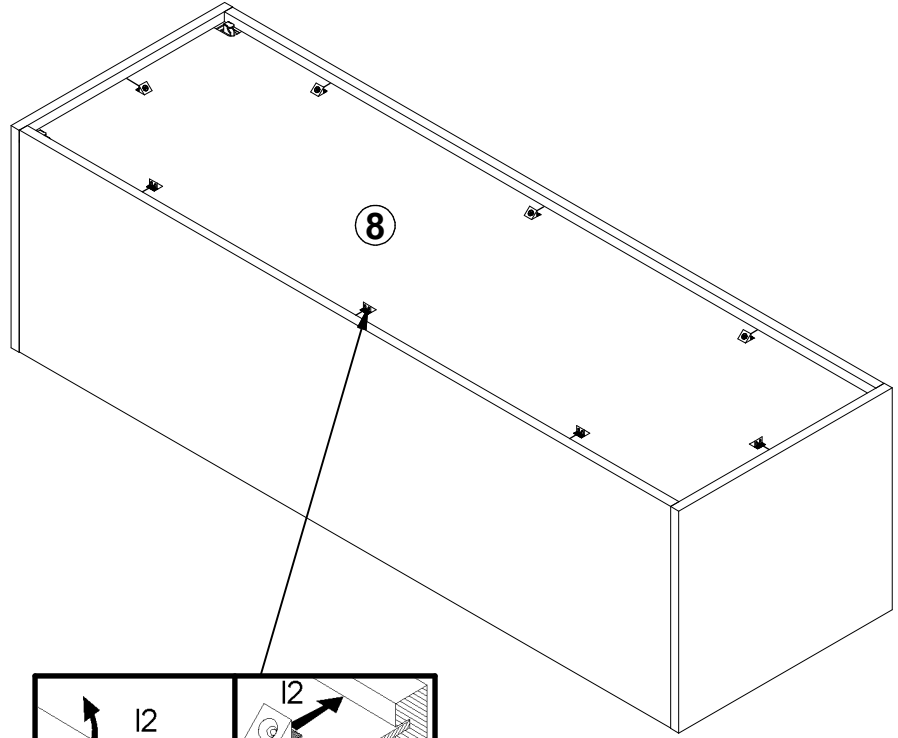


5



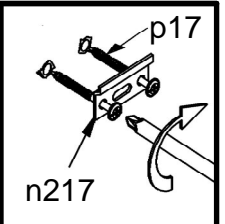
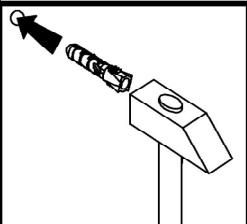
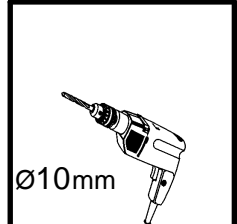
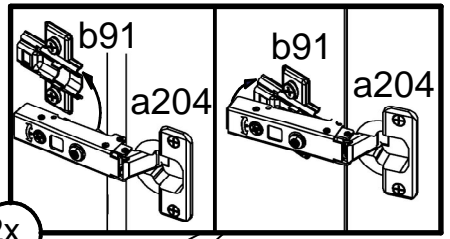
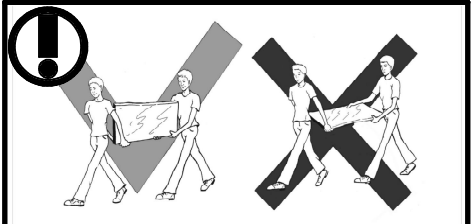


6

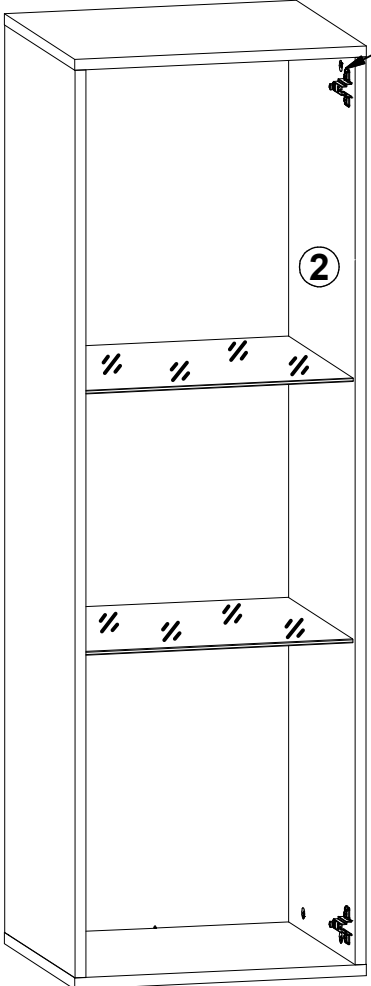


A

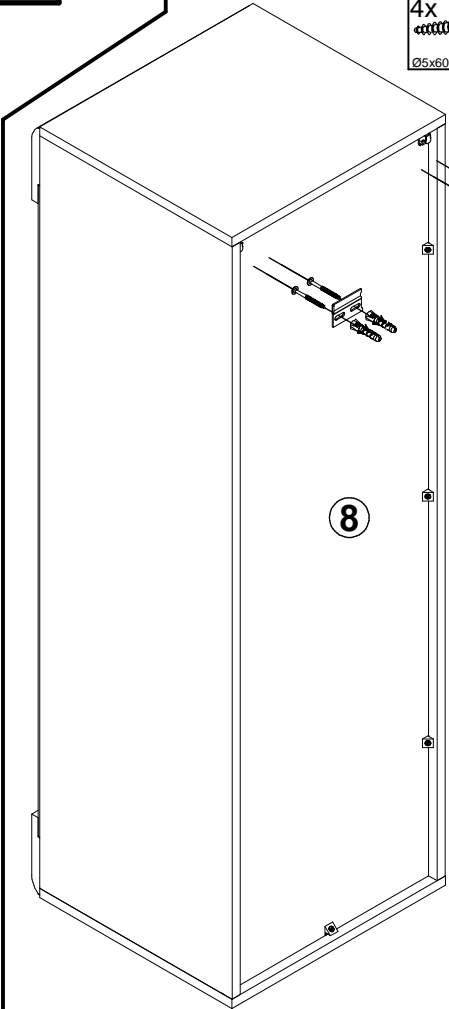
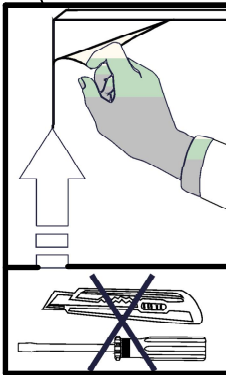
S513-SFW1W/13/4



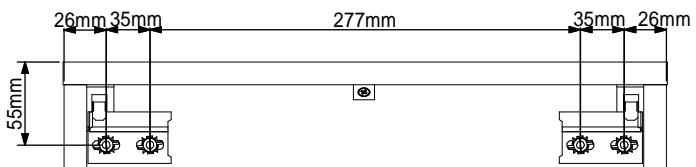
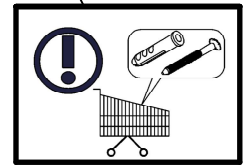
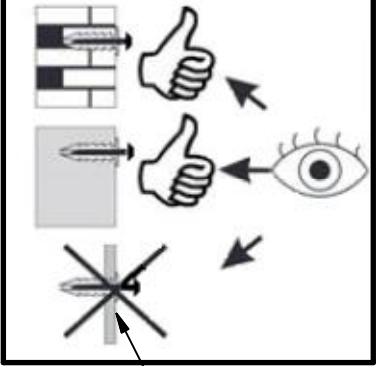
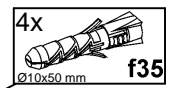
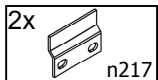
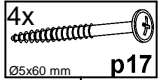
8



2x



9



10

