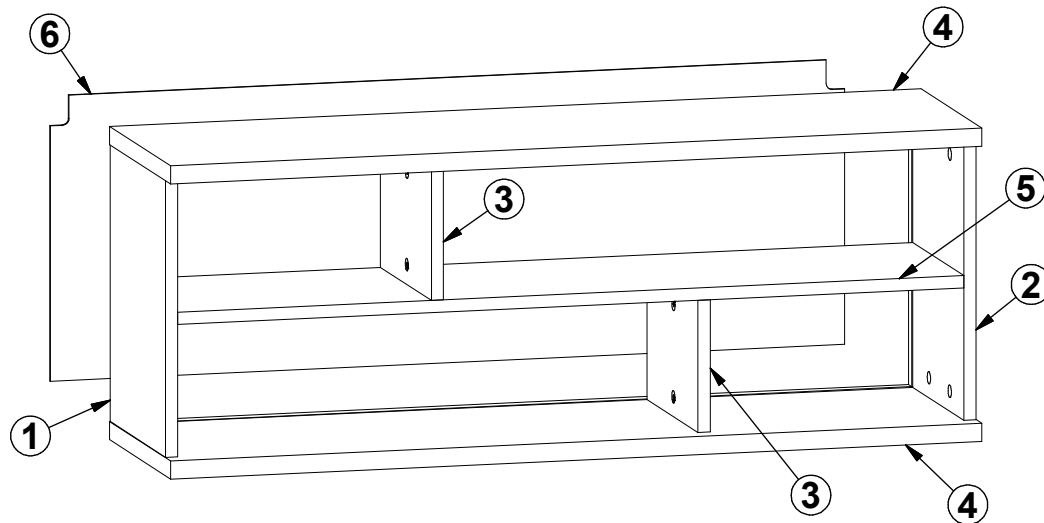
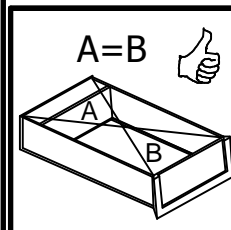
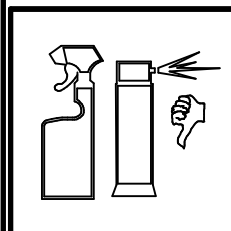
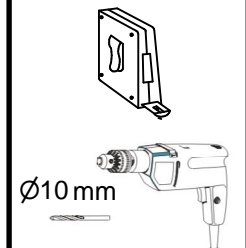
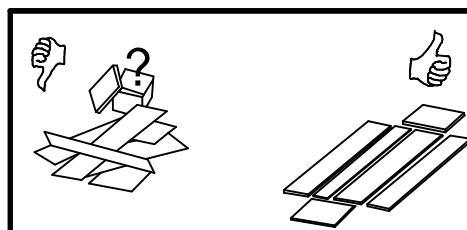
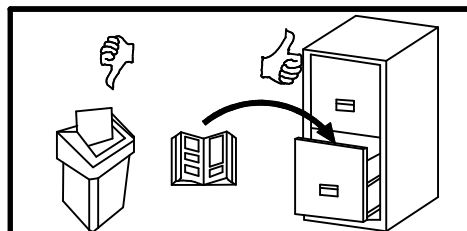
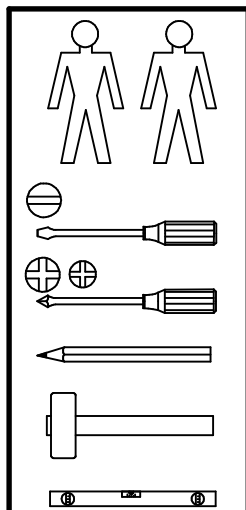
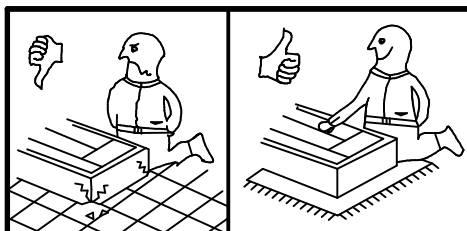
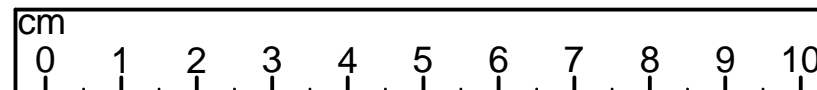
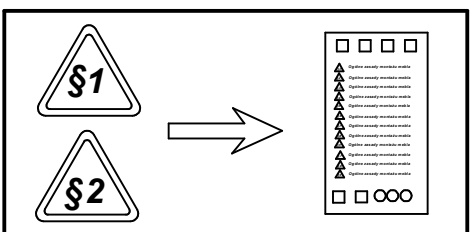
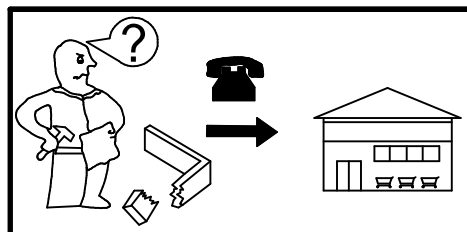


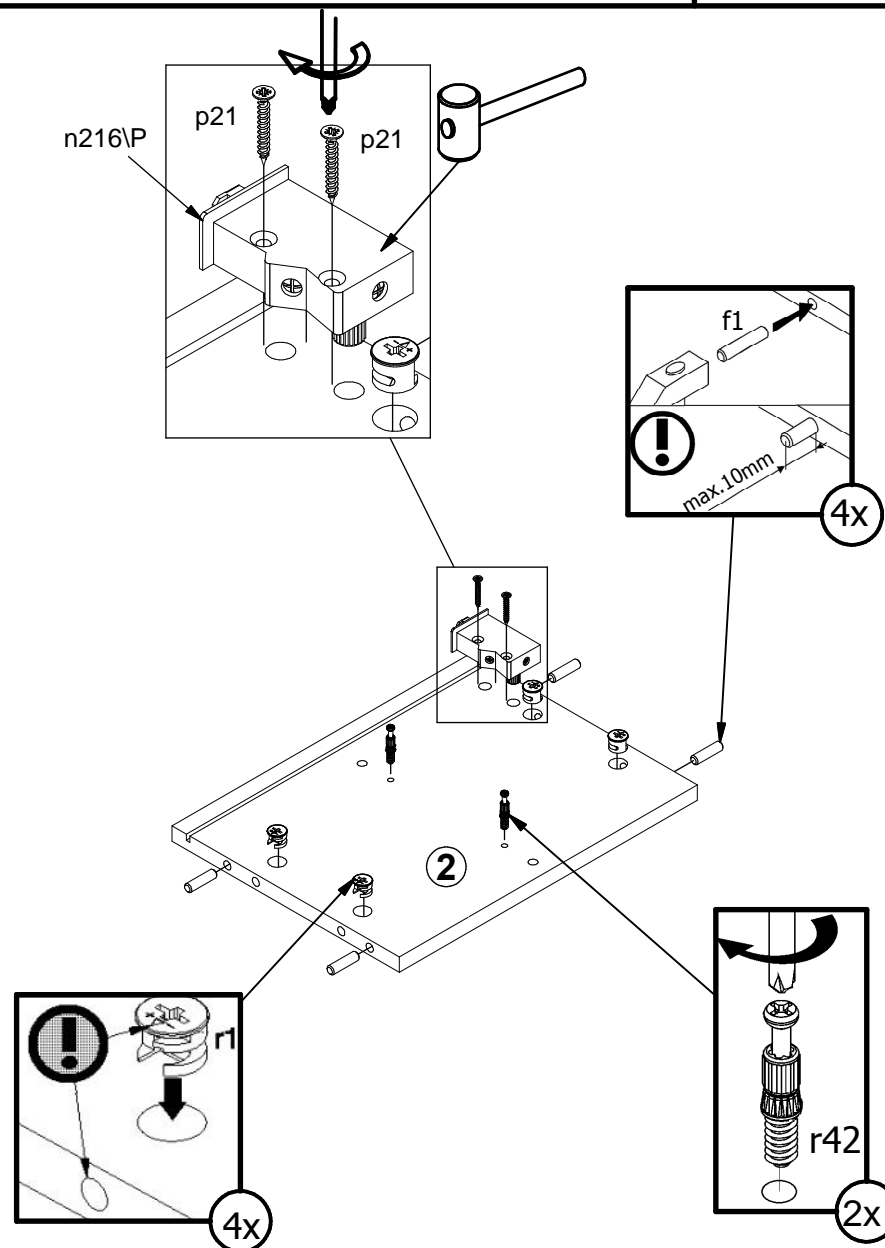
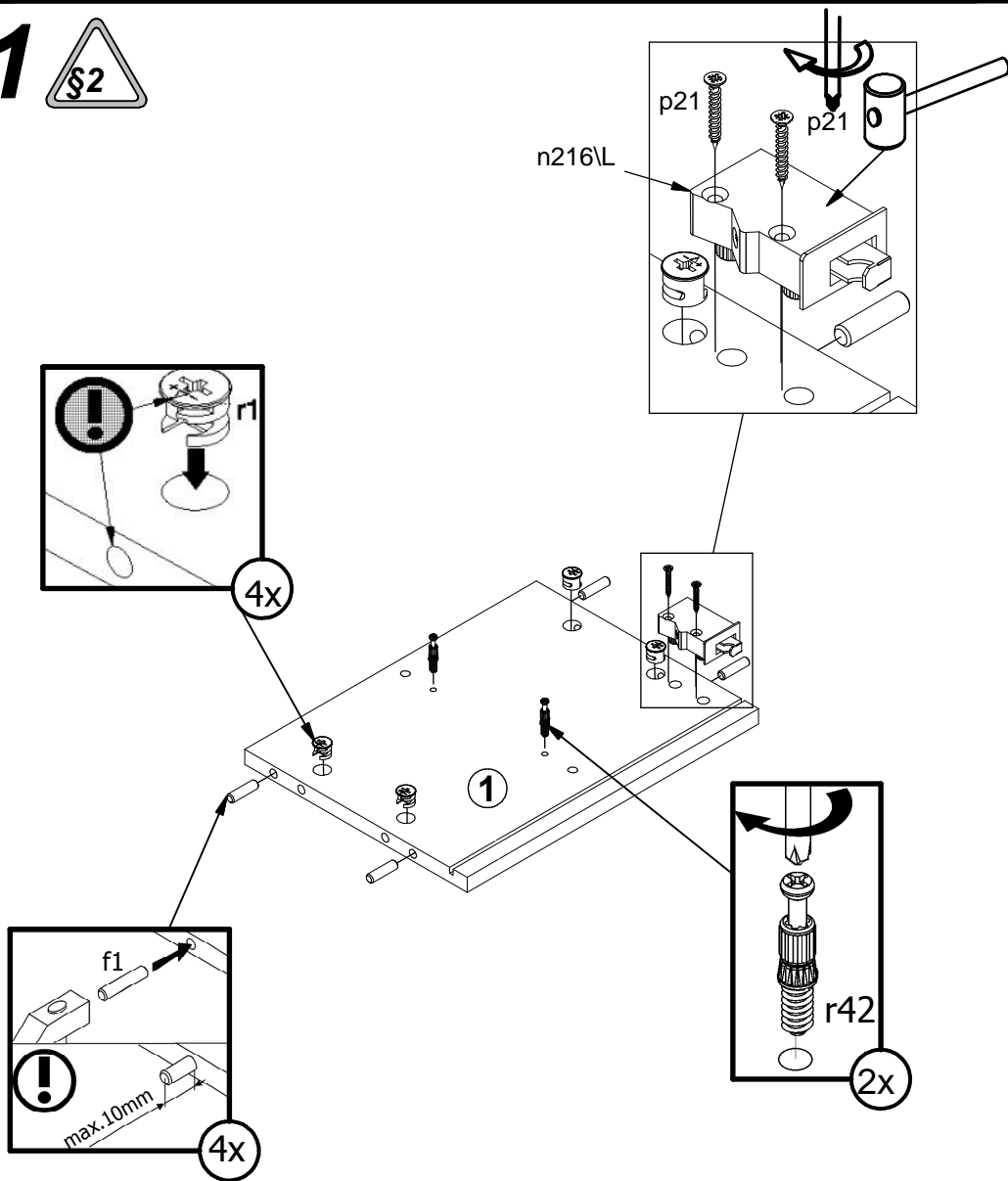
| A | B | C1 | C2 | C3 | D |
|---|-----------|------|-----|-----|-----|
| 1 | S513-1021 | 335 | 255 | 15 | 1/1 |
| 2 | S513-1022 | 335 | 255 | 15 | 1/1 |
| 3 | S513-1023 | 160 | 235 | 15 | 1/1 |
| 4 | S513-2012 | 1001 | 280 | 22 | 1/1 |
| 5 | S513-3018 | 970 | 235 | 15 | 1/1 |
| 6 | S513-9008 | 980 | 345 | 2,5 | 1/1 |

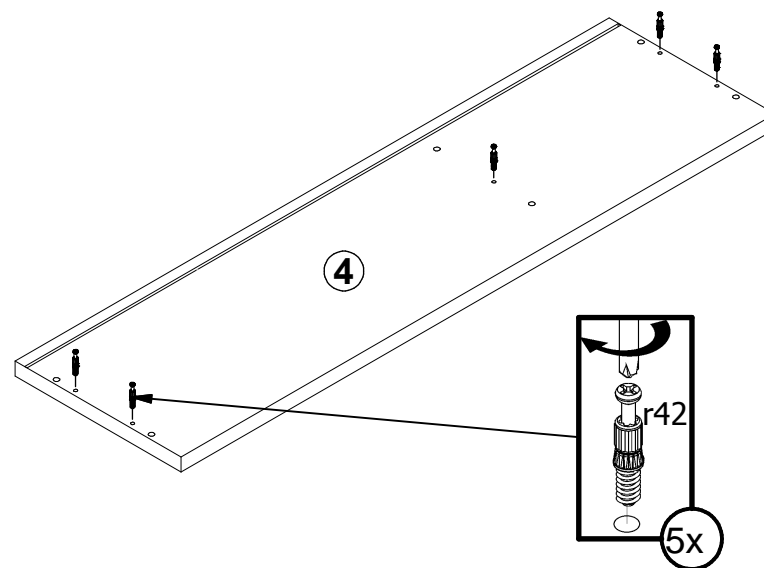
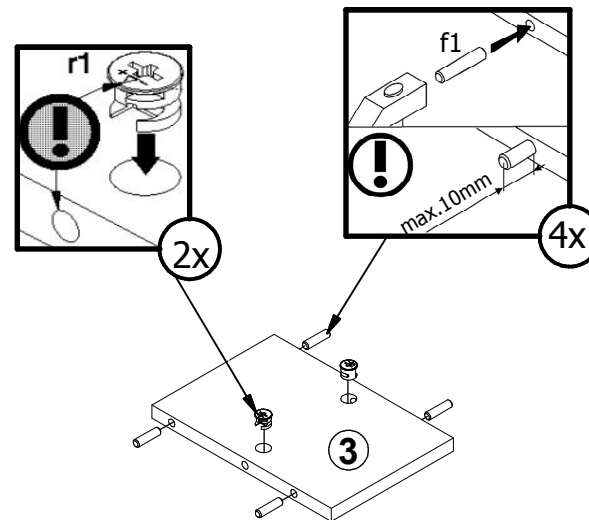
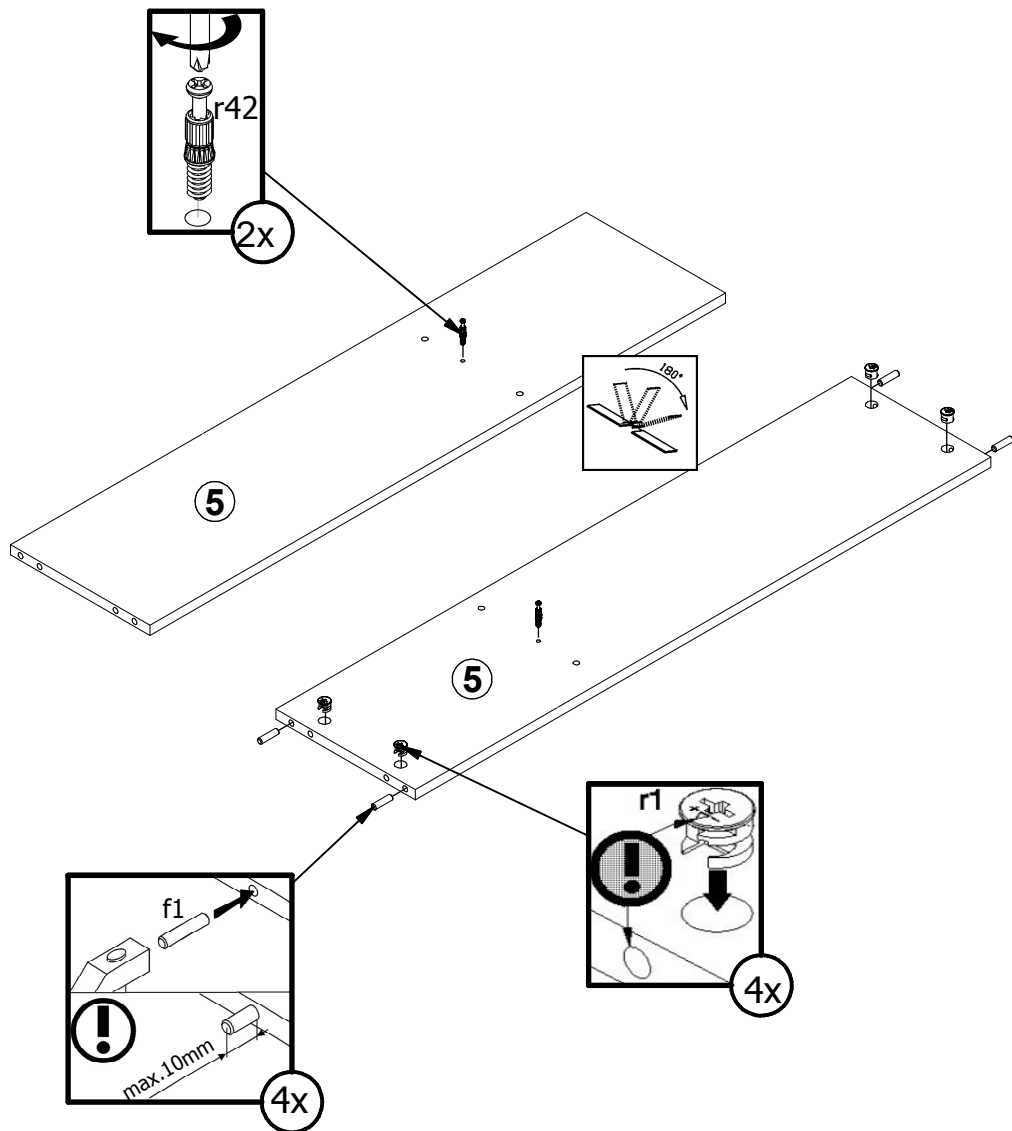


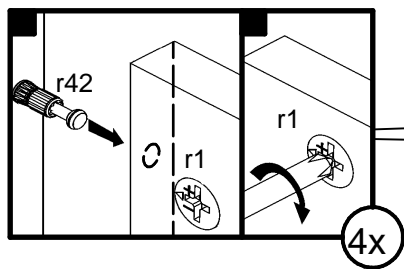
| | | |
|----------------------------|---------------------|-----------------------|
| 20x Ø8x30 mm f1 | 10x l1 | 8x l2 |
| 1x n216L | 1x n216P | 4x Ø4x30 mm p21 |
| 16x Ø15x12 mm #16 r1 | 16x 20/11 r42 | 16x s2 Ø16 |
| 4x Ø10x50 mm f35 | 2x n217 | 4x Ø5x60 mm p17 |



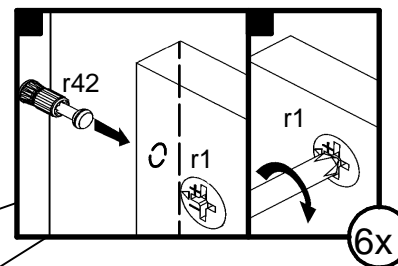
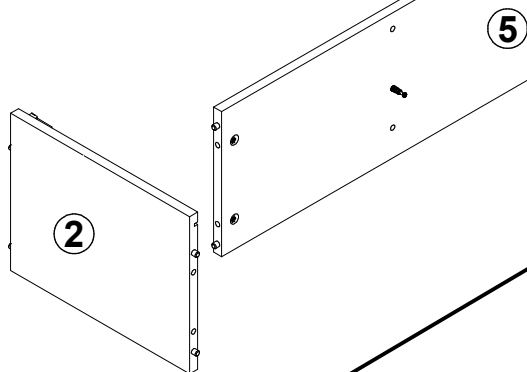
1 



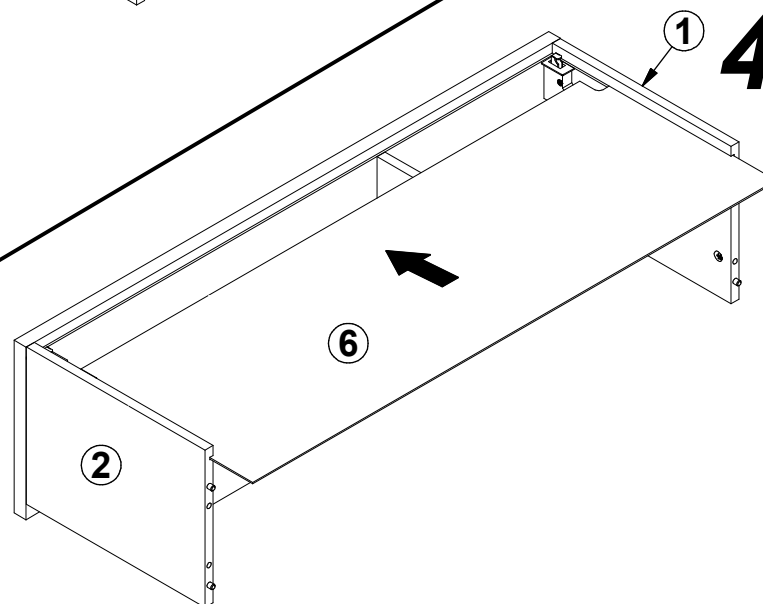
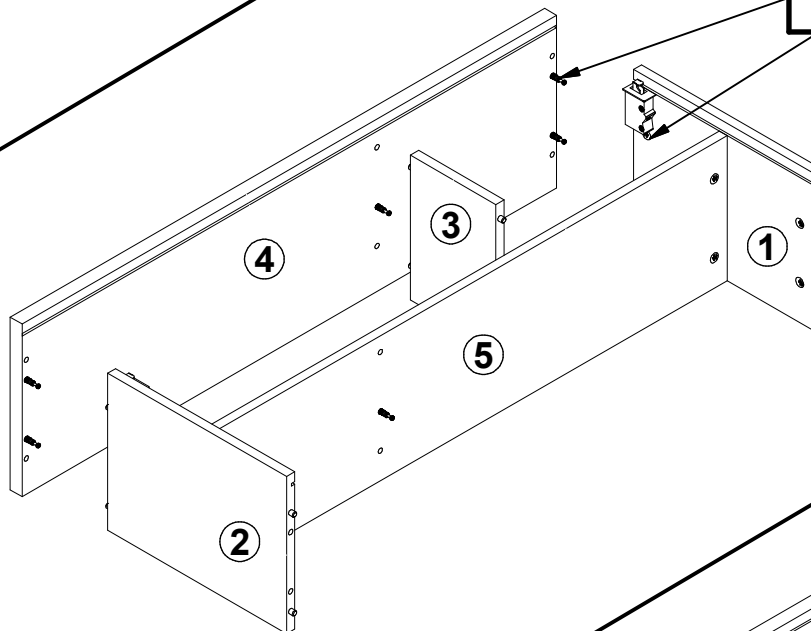




2

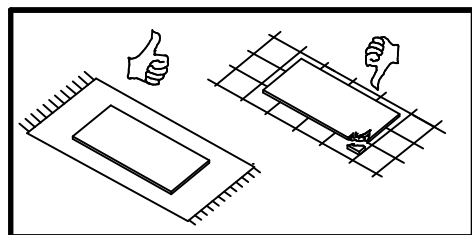
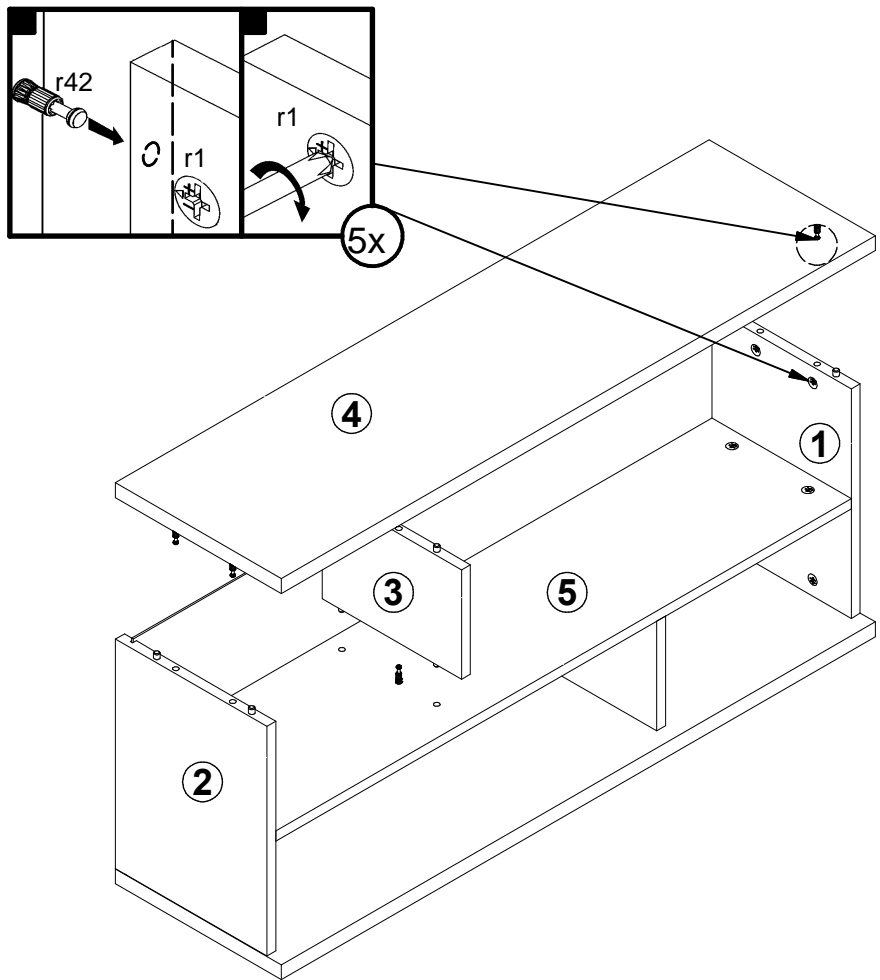


3

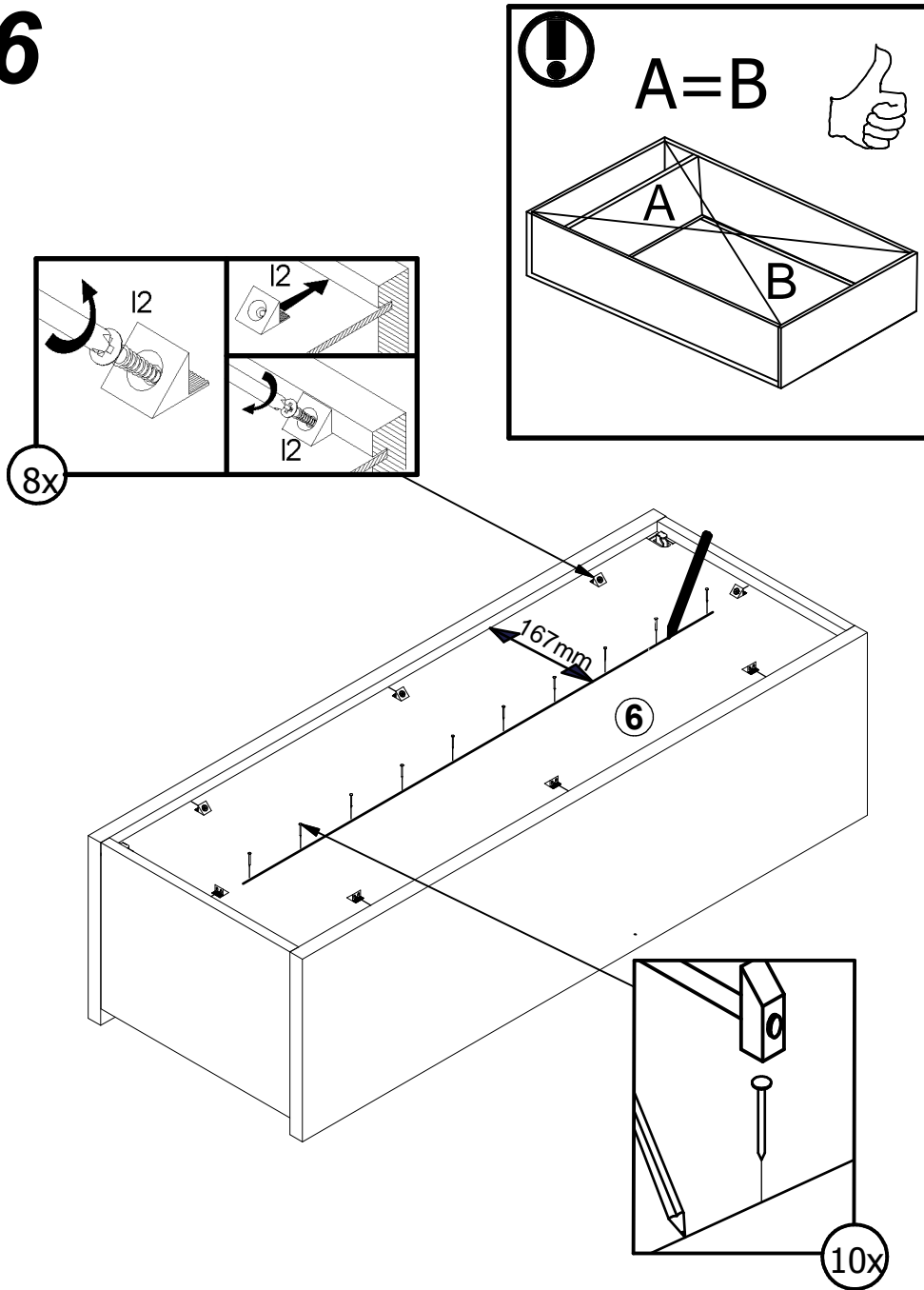


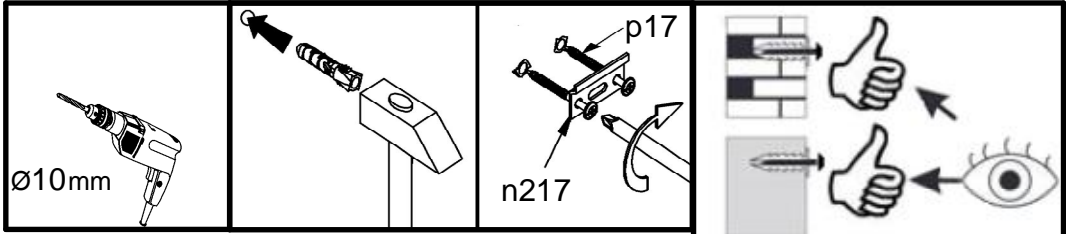
4

5

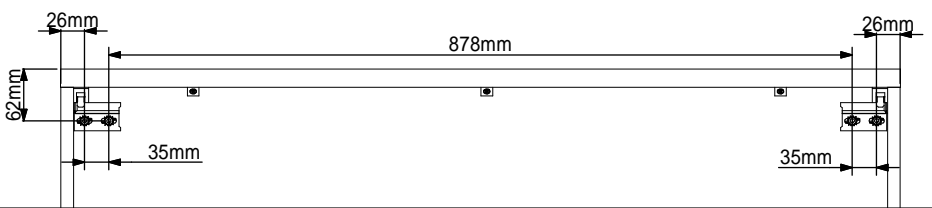
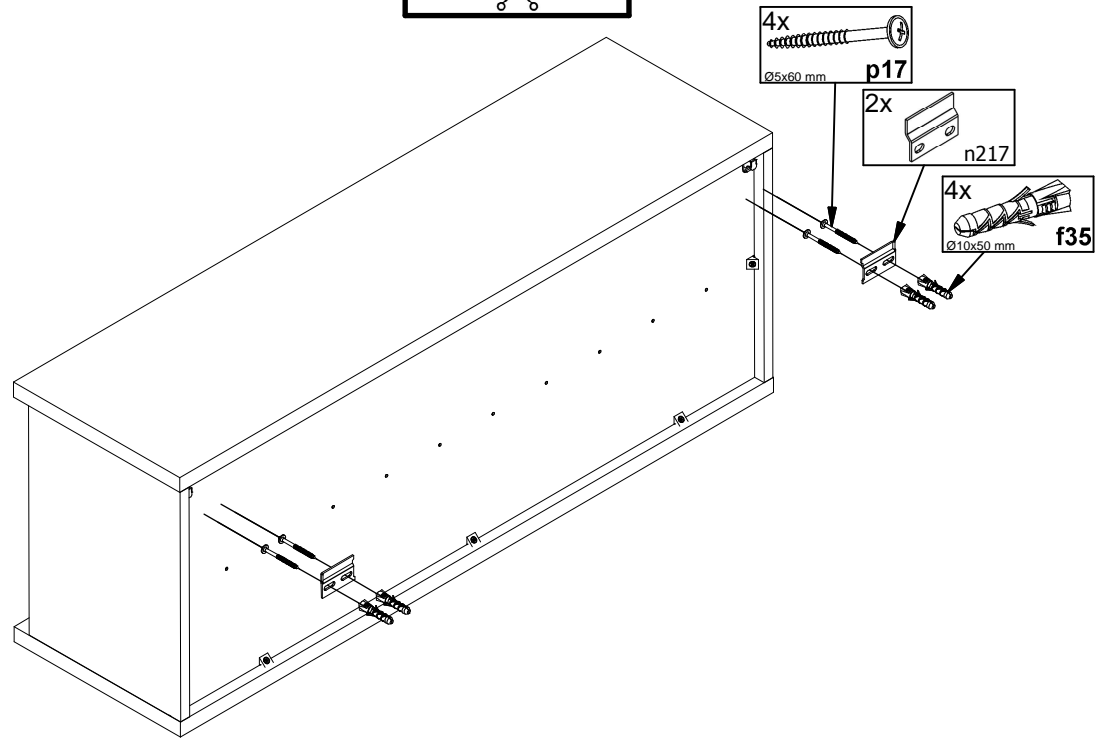
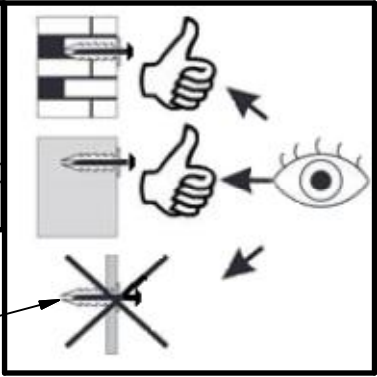
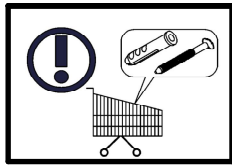


6





7



8

