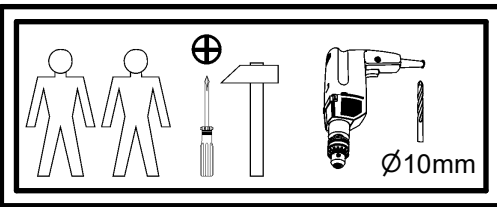
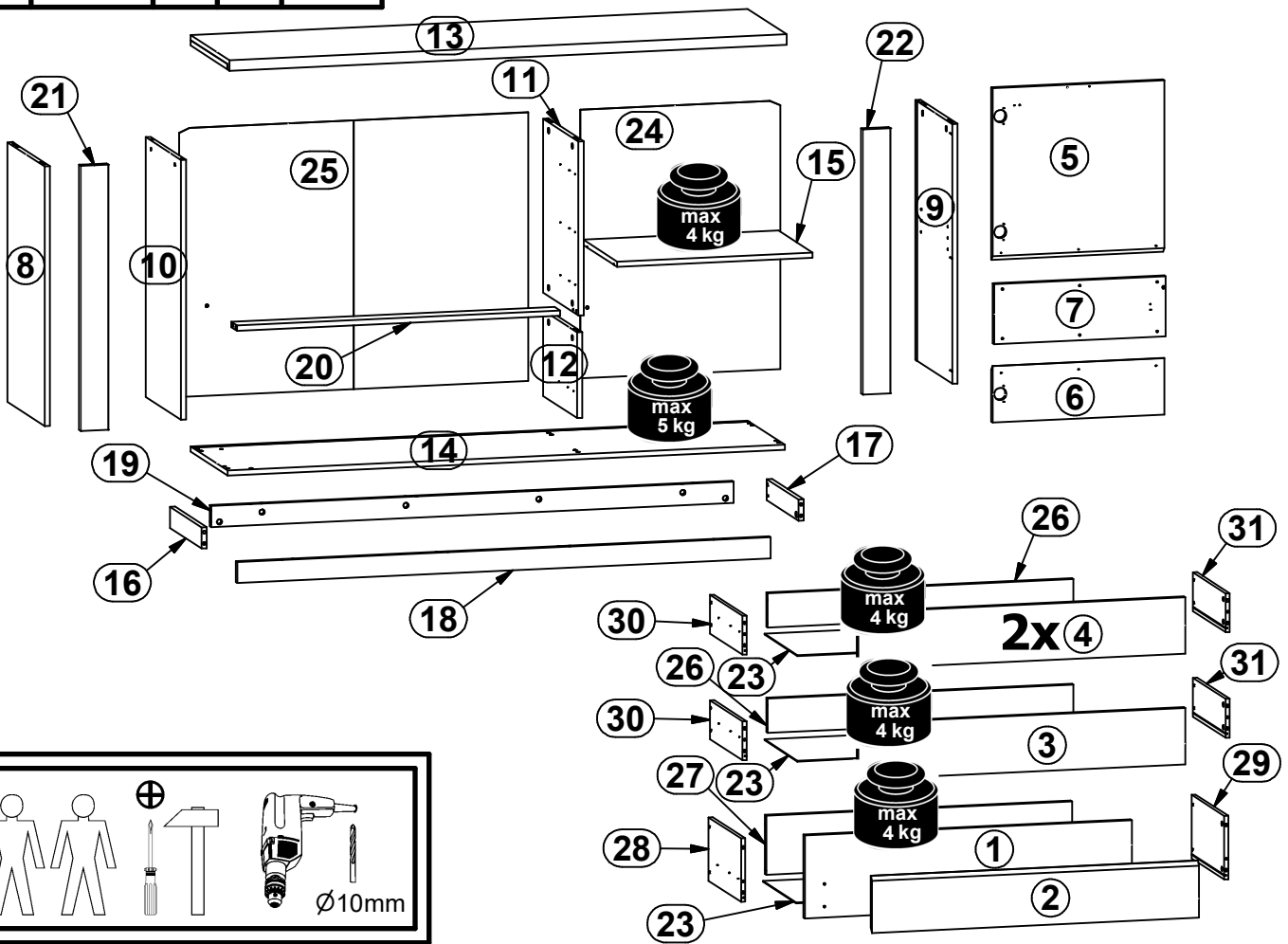
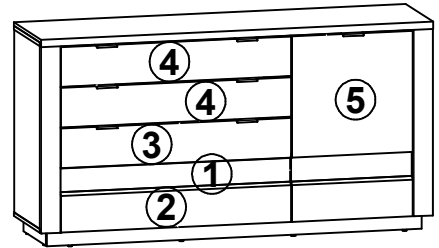
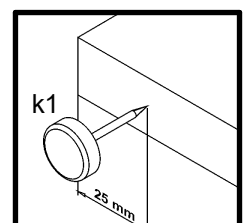
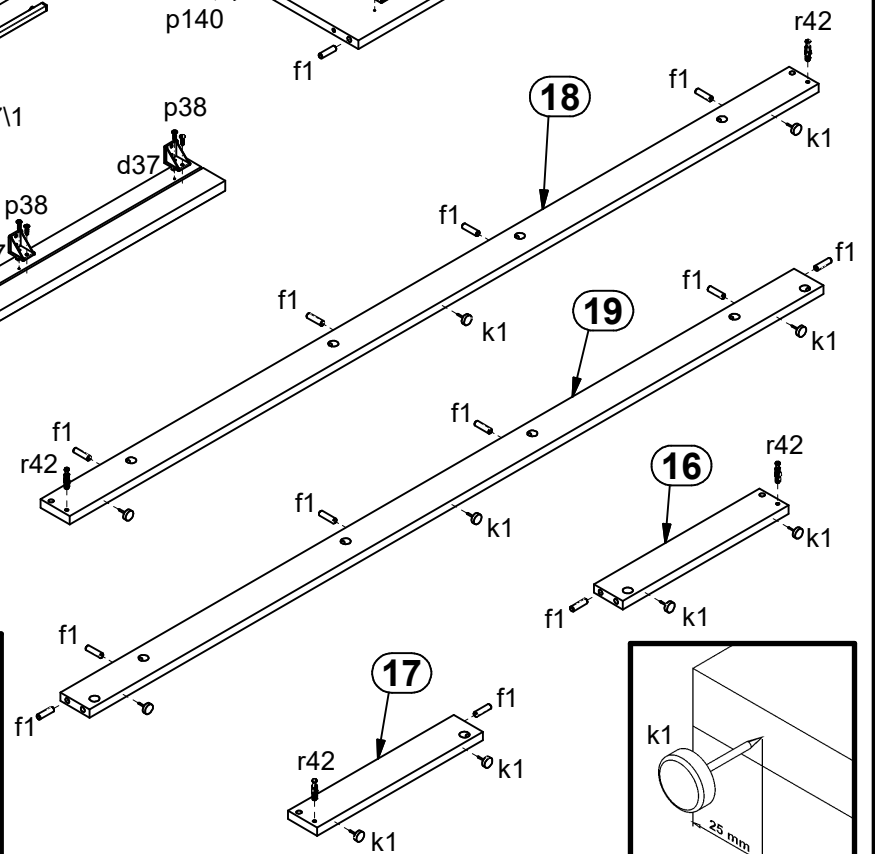
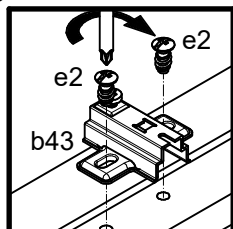
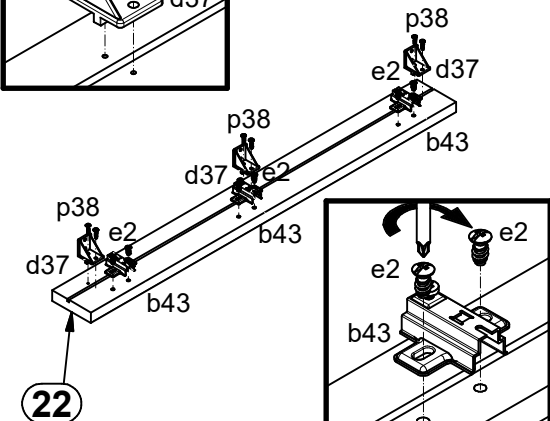
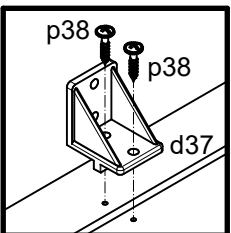
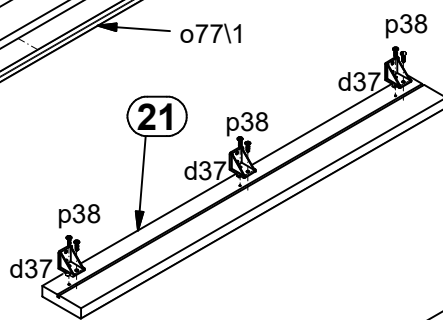
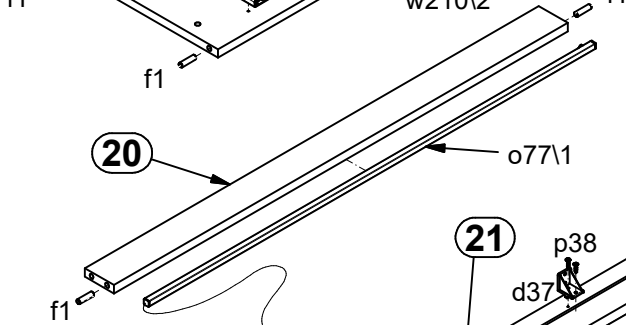
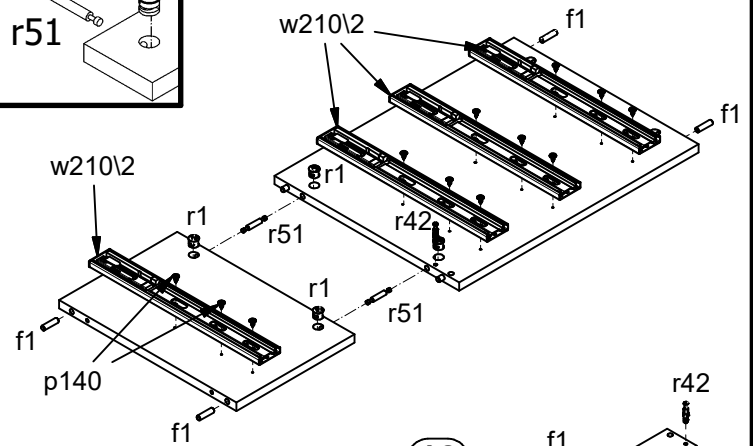
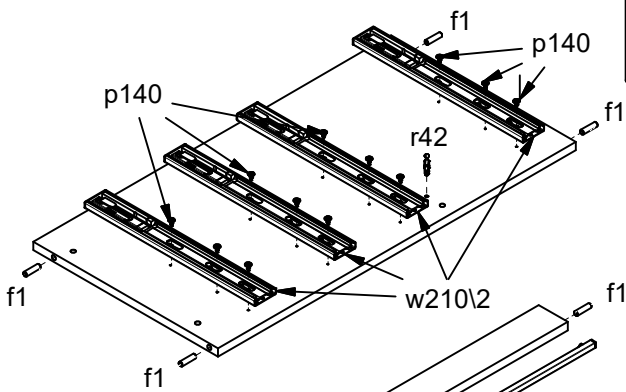
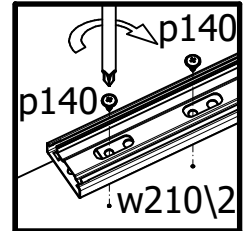
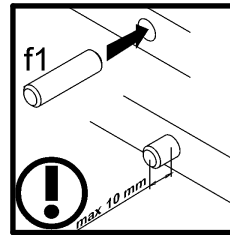
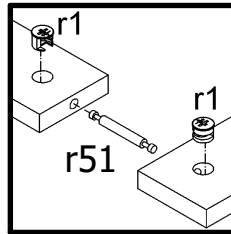
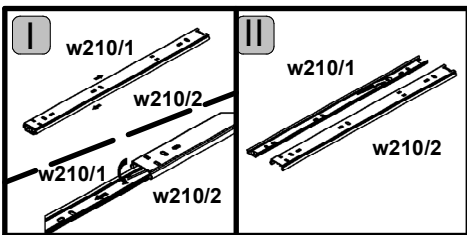
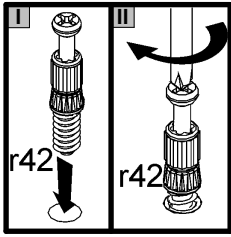


A	B	C	D	A	B	C	D		
1	S467-0010	945	235	3/3	17	S467-4002	341	60	3/3
2	S467-0011	945	160	3/3	18	S467-4009	1541	60	2/3
3	S467-0012	945	160	3/3	19	S467-4010	1510	60	2/3
4	S467-0013	945	160	3/3	20	S467-4011	934	60	3/3
5	S467-0017	496	488	3/3	21	S467-5005	751	80	3/3
6	S467-0018	496	160	3/3	22	S467-5006	751	80	3/3
7	S467-0019	496	170	3/3	23	S467-9005	895	357	3/3
8	S467-1010	736	400	1/3	24	S467-9007	761	578	3/3
9	S467-1011	736	400	1/3	25	S467-9302	761	1009	3/3
10	S467-1012	736	380	1/3	26	ZK3-5100	884	97	3/3
11	S467-1013	493	380	1/3	27	ZK3-5103	884	167	3/3
12	S467-1016	243	365	1/3	28	ZK4-503	350	180	2/3
13	S467-2005	1610	420	2/3	29	ZK4-504	350	180	2/3
14	S467-2006	1610	400	2/3	30	ZK4-523	350	110	2/3
15	S467-3002	565	365	1/3	31	ZK4-524	350	110	2/3
16	S467-4001	341	60	3/3					

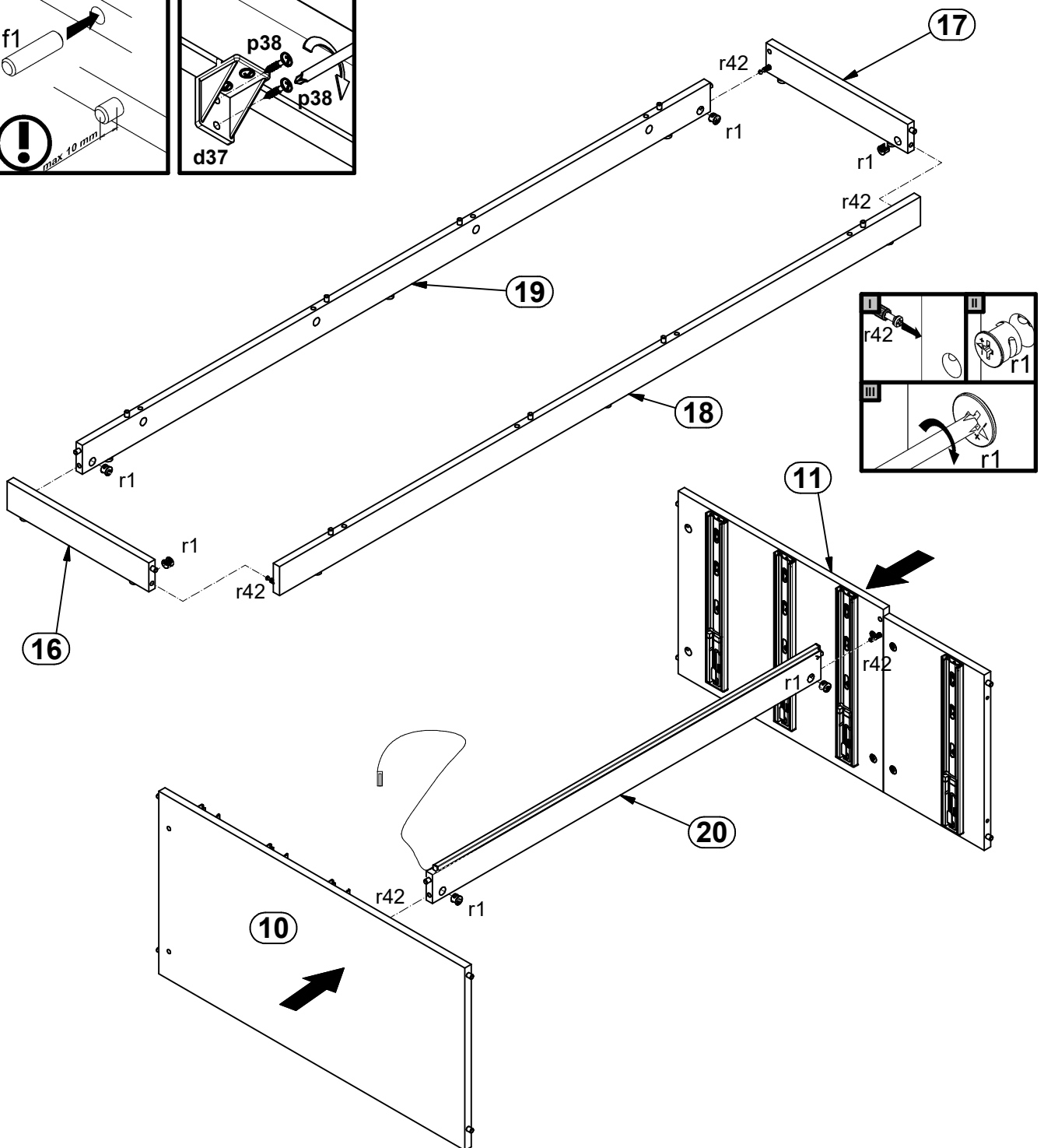
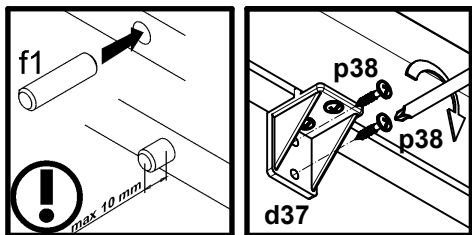
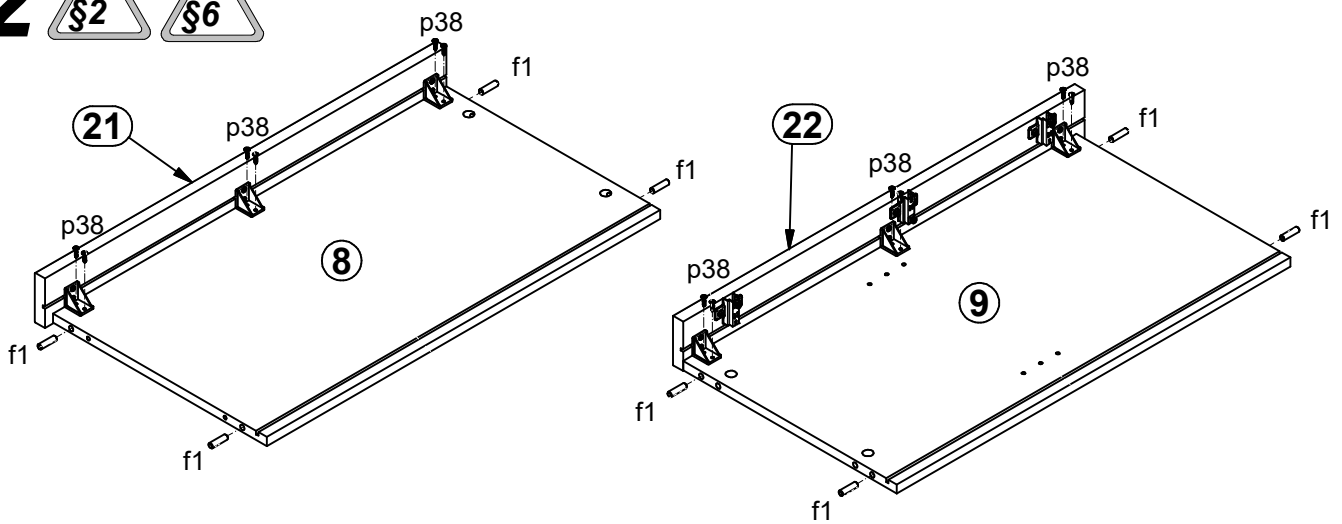


3x a132	3x b43	7x c485 84 mm	4x d1 Ø5x17 mm	6x d37	6x e1 Ø7x50 mm
6x e2 Ø6.3x13 mm	32x f1 Ø8x30 mm	8x f9 Ø6x30 mm	16x f25 Ø6.5x40 mm	10x k1	10x l2
4x p25 Ø3.5x16 mm	4x p35 Ø3.5x10 mm	48x p38 Ø3.5x16 mm	6x p51 Ø3.5x15 mm	4x p55 Ø2.9x16 mm	14x p94 Ø4x28 mm
16x r15 Ø12x10.5 mm #12	36x r42 20/11	2x r51 40 mm	4x t35 350 mm	8x w210/1 L=350 mm	8x w210/2 L=350 mm
1x 3P 15W Ø70/17	5x Ø83/4 10x18 mm	1x Ø97/1	1x Ø97/2	1x 10x5 mm L=491 mm Ø134/1	2x s68 Ø 20mm
					4x n108 22x9.5x20.7 mm
					14x p1 Ø3.5x13 mm
					3x p14 Ø3x20 mm
					2x p125 Ø3x30 mm
					48x p140 Ø3.5x12 mm
					24x r1 Ø15x12 mm #16
					1x z1 4 mm
					1x 10x10 mm Ø77/1 L=925 mm
					1x n26
					1x p38 Ø3.5x16 mm

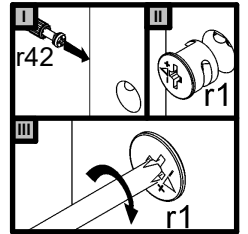
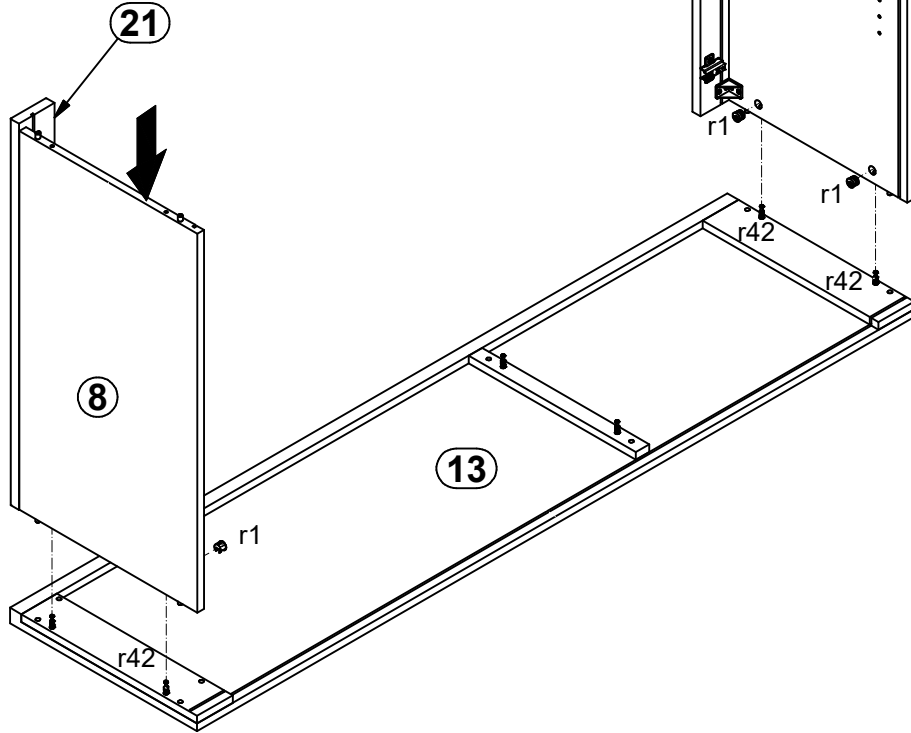
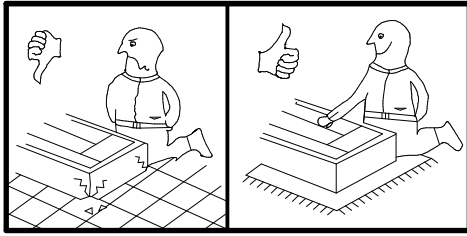
1 



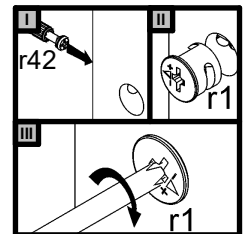
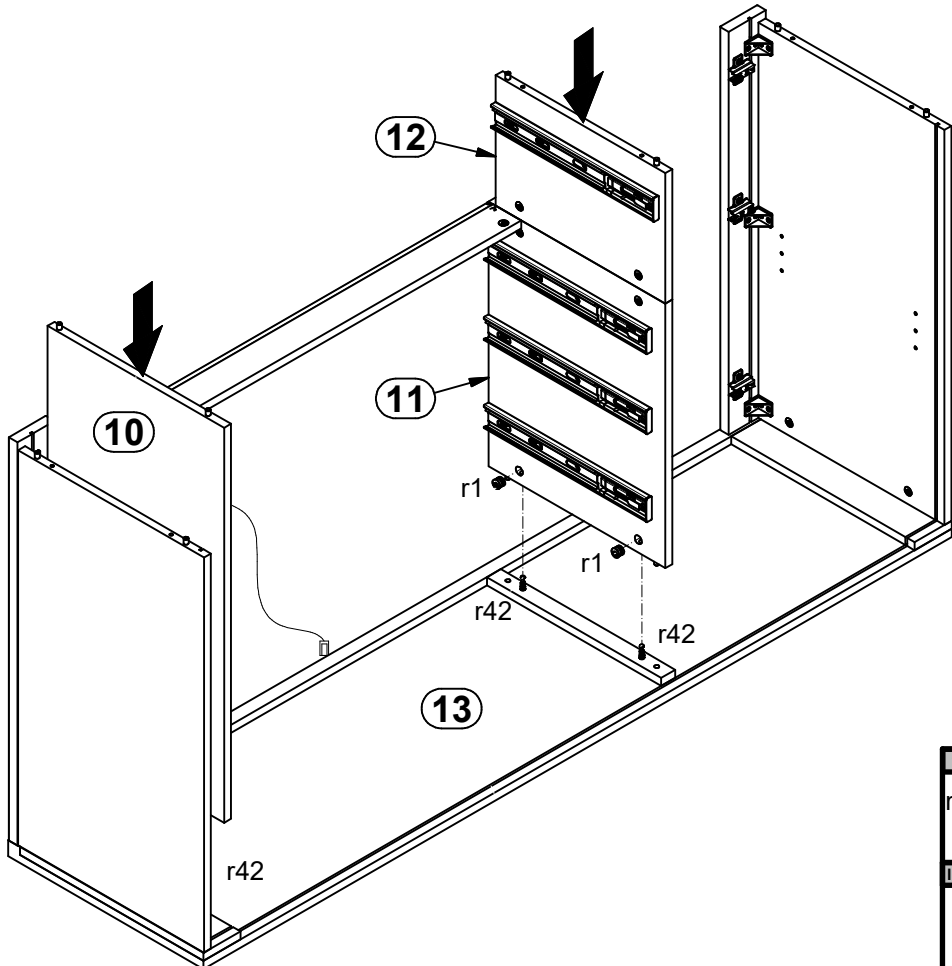
2  



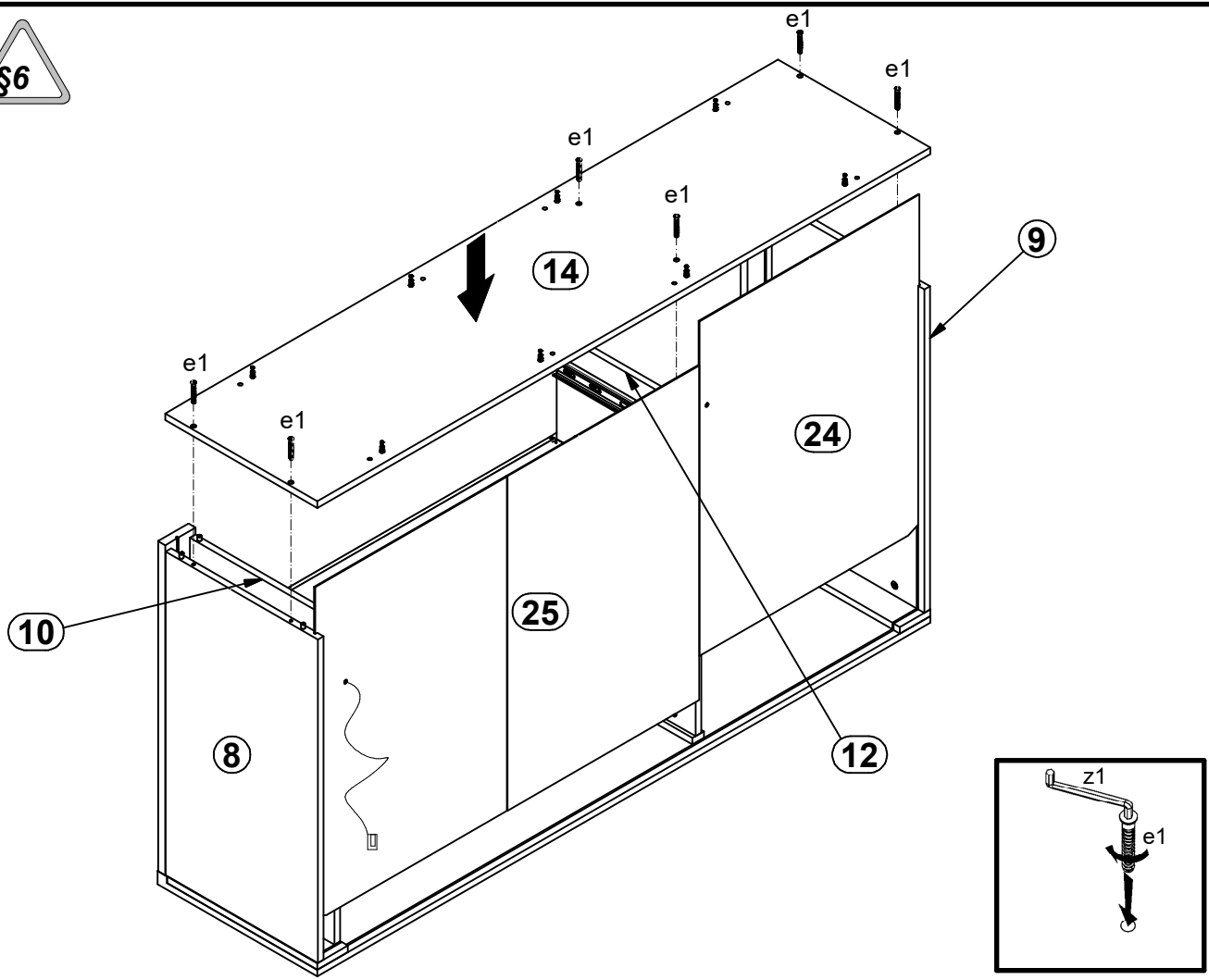
3 §6



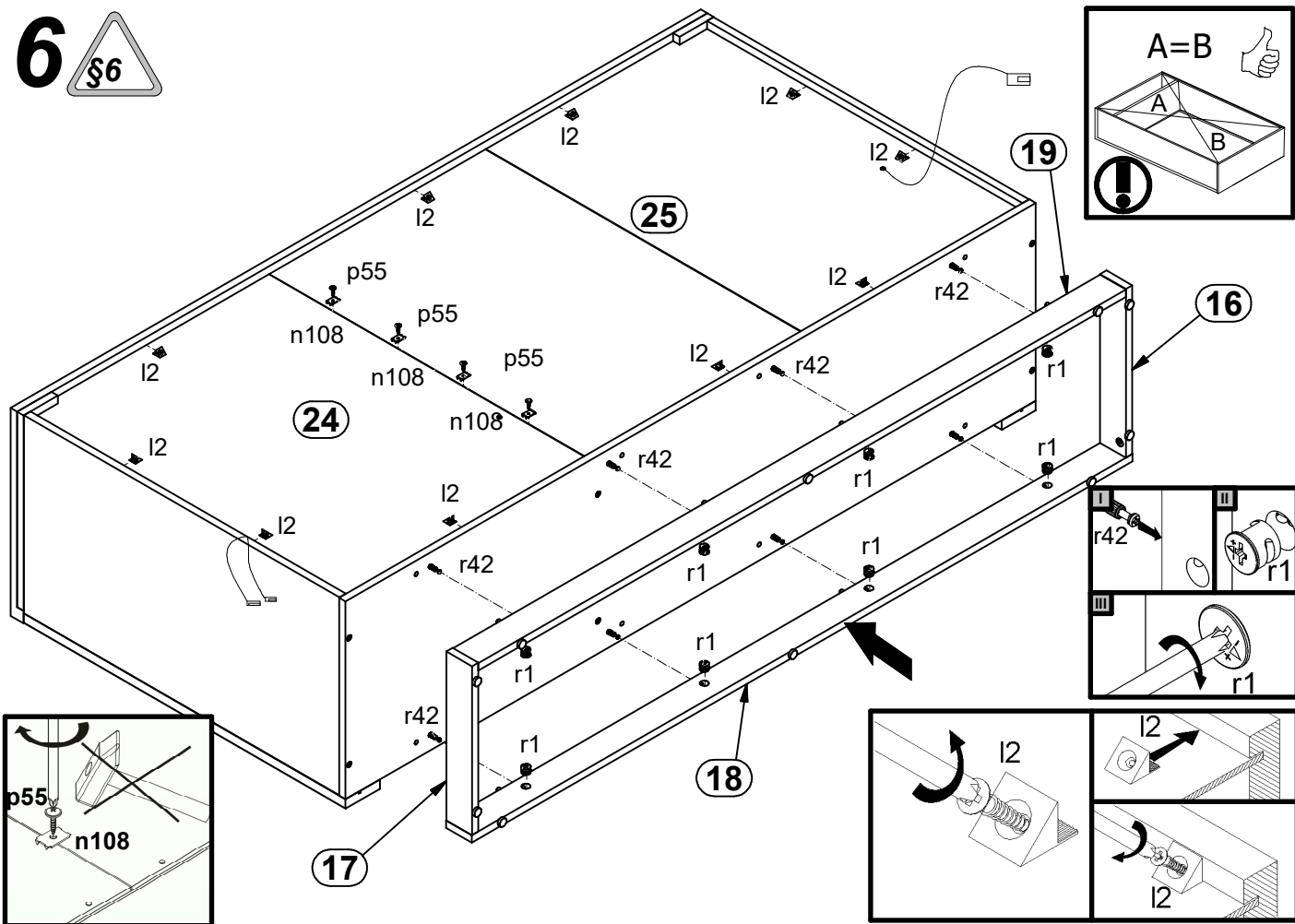
4 §6



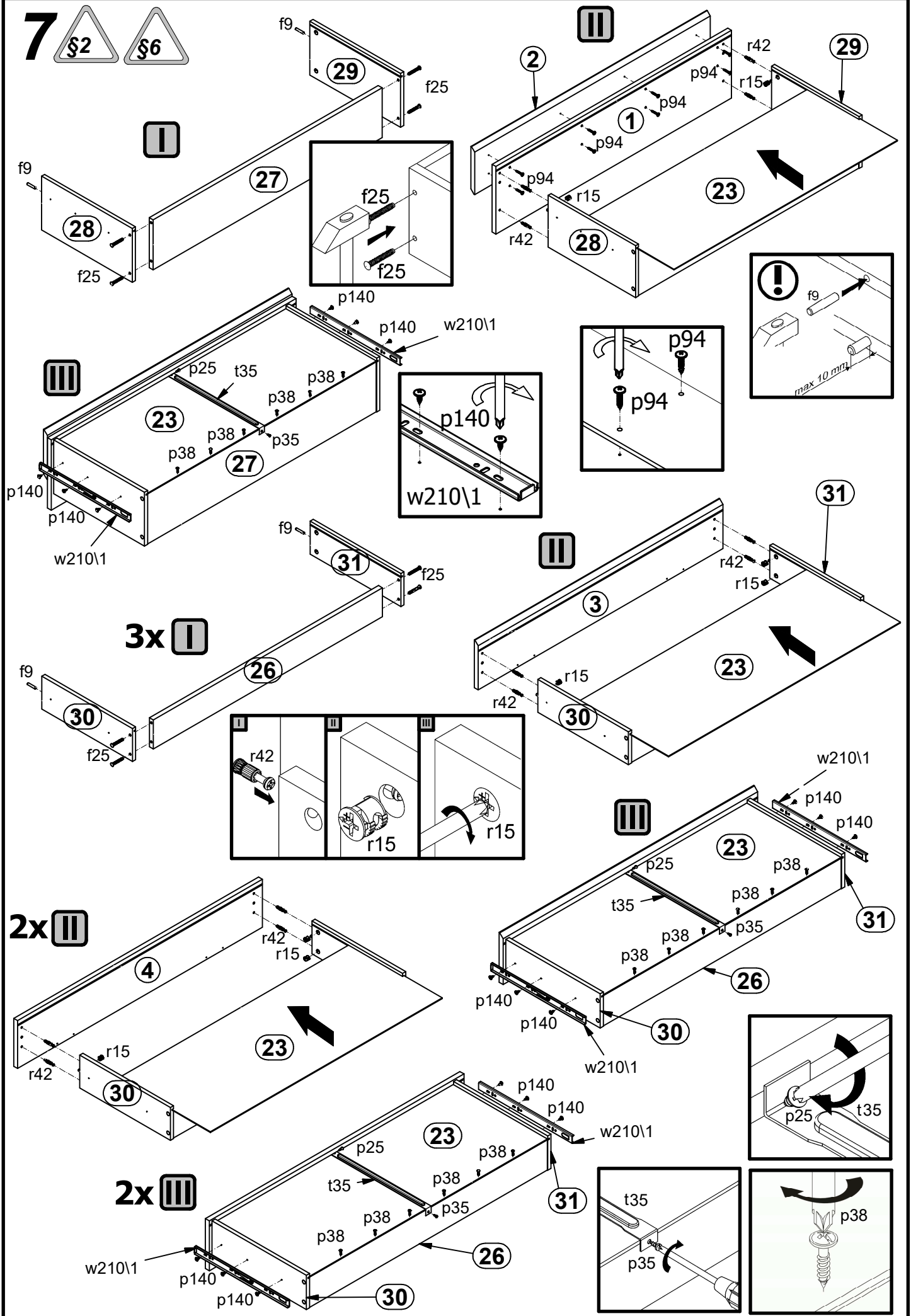
5



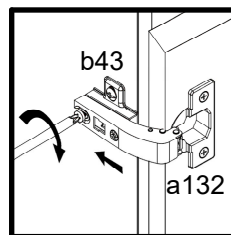
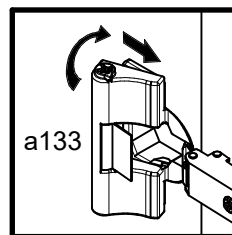
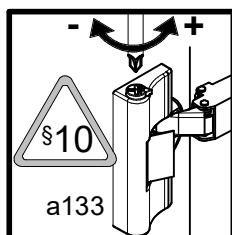
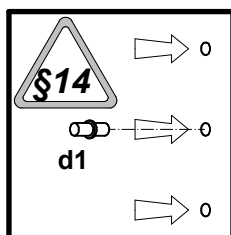
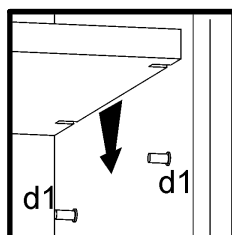
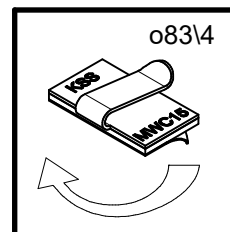
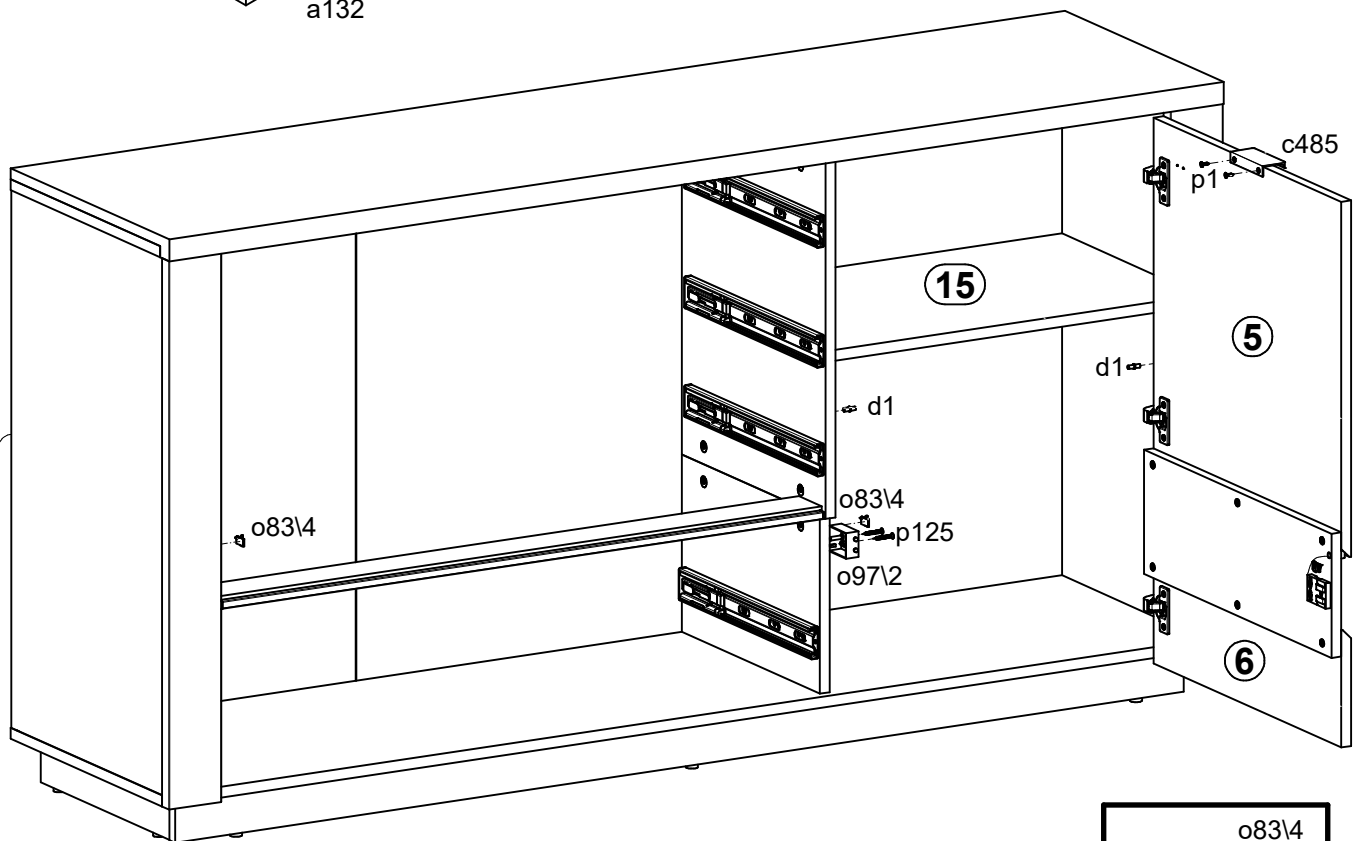
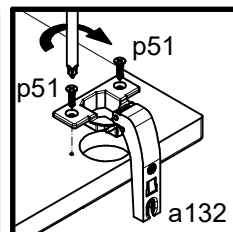
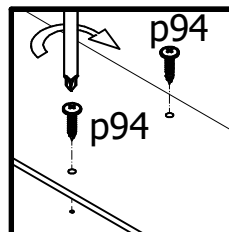
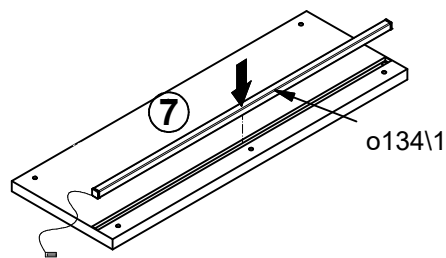
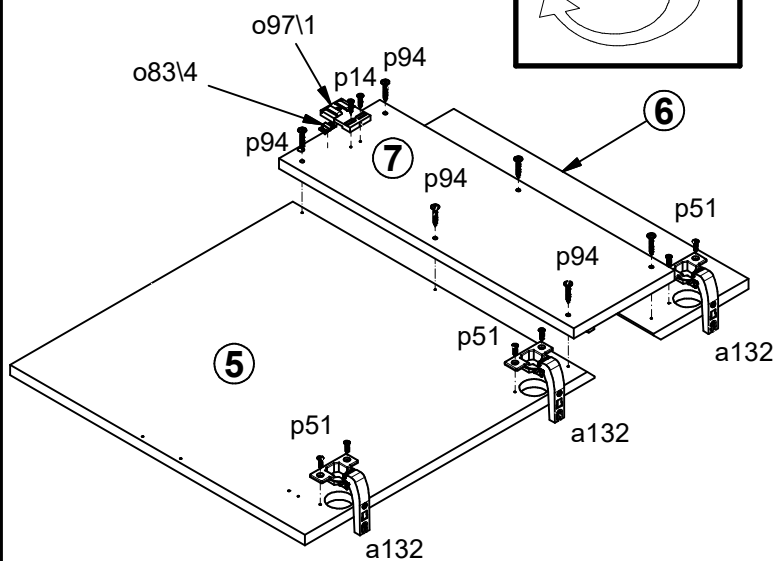
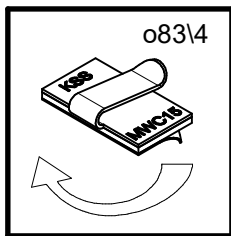
6



7 §2 §6



8 §2 §6



9 §6

