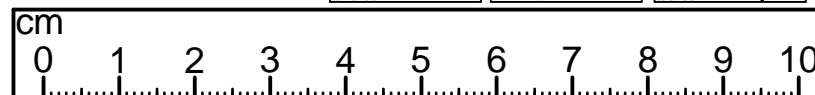
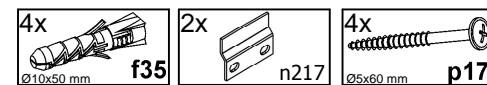
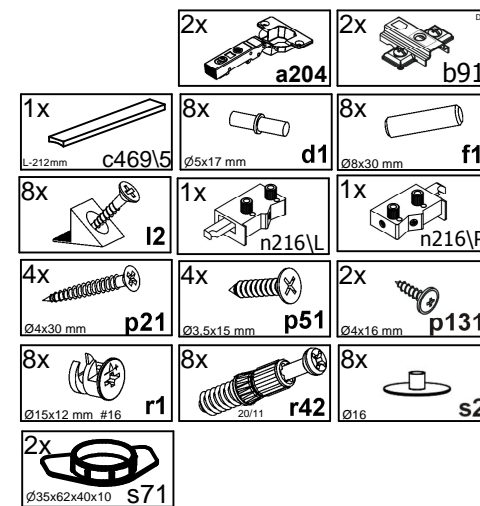
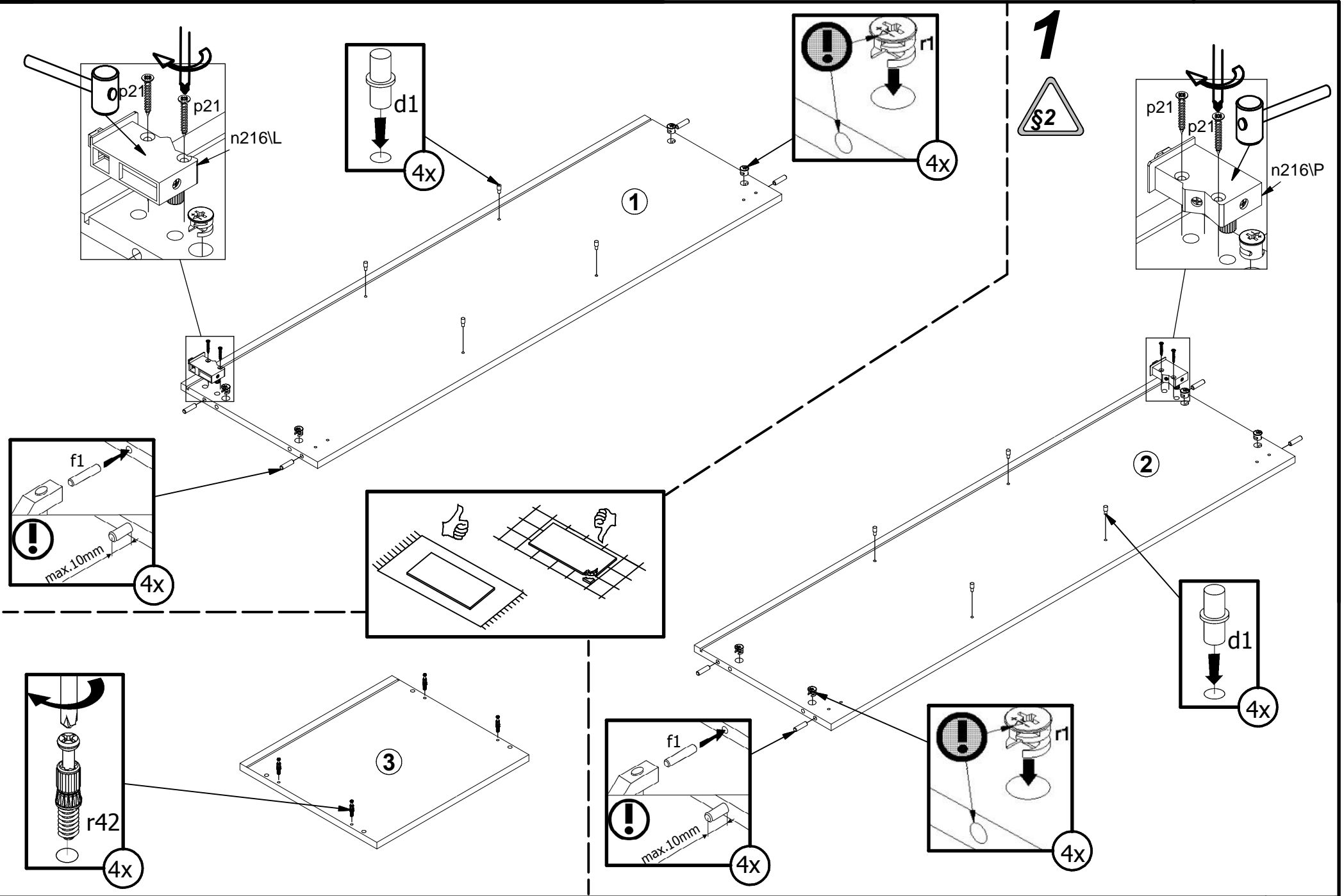
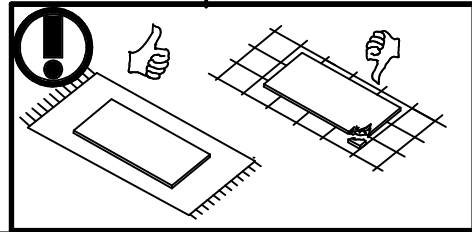
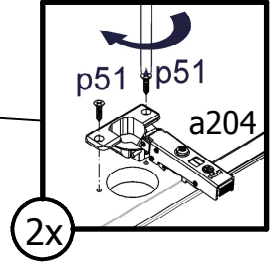
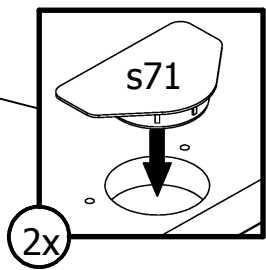
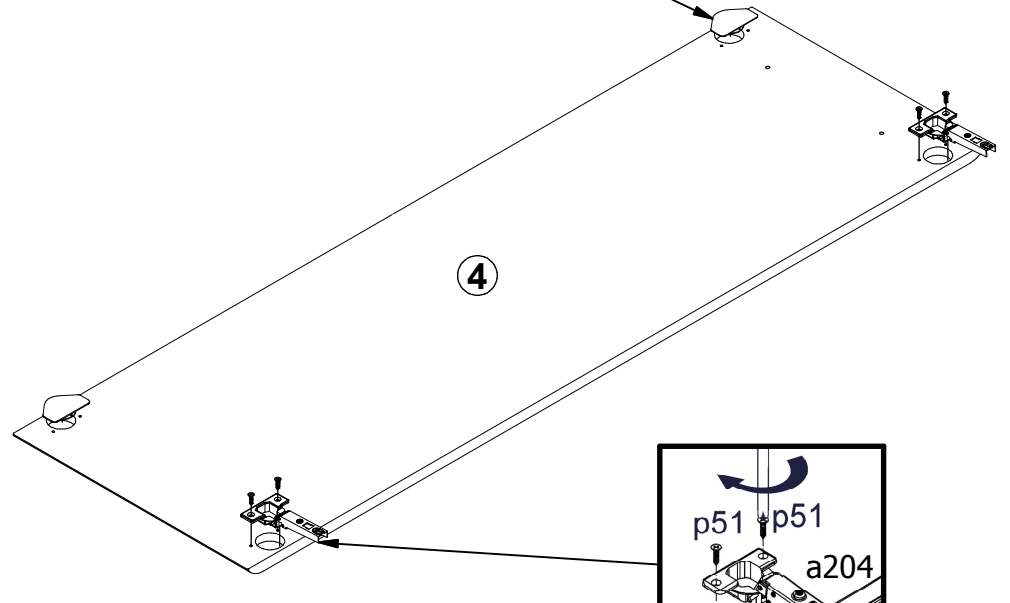
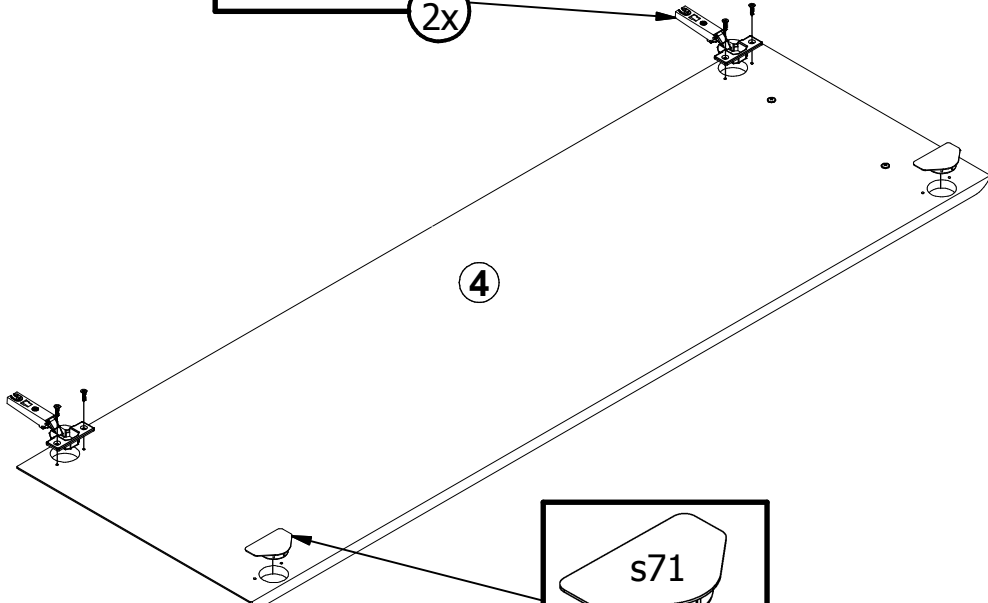
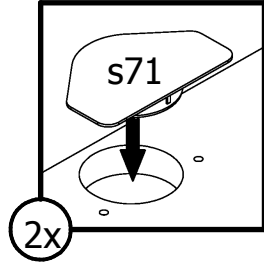
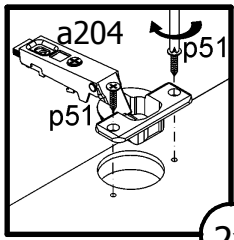
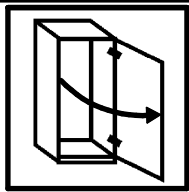
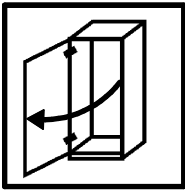


A	B	C1	C2	C3	D
1	S513-1004	1220	360	15	1/1
2	S513-1005	1220	360	15	1/1
3	S513-2003	400	360	15	1/1
4	S513-0003	1246	396	16	1/1
5	S513-9001	1230	379,	2,5	1/1
6	S513-3004	369,	330	15	1/1

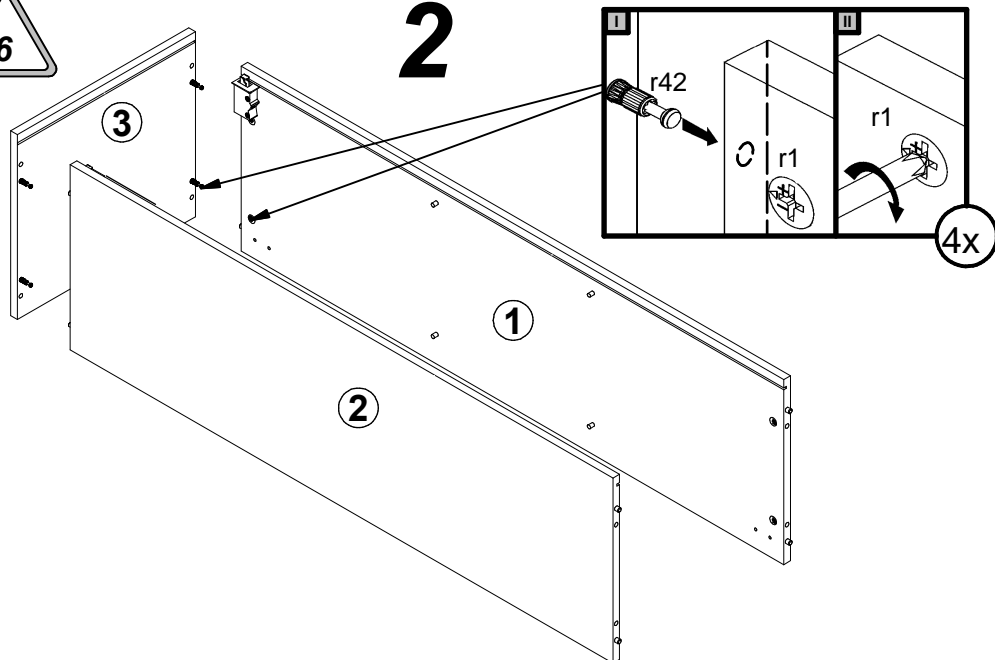




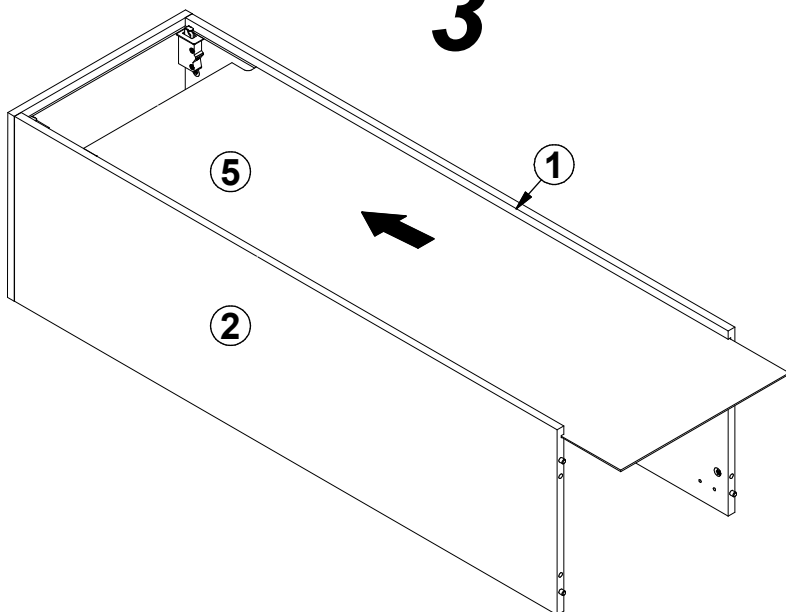




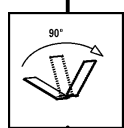
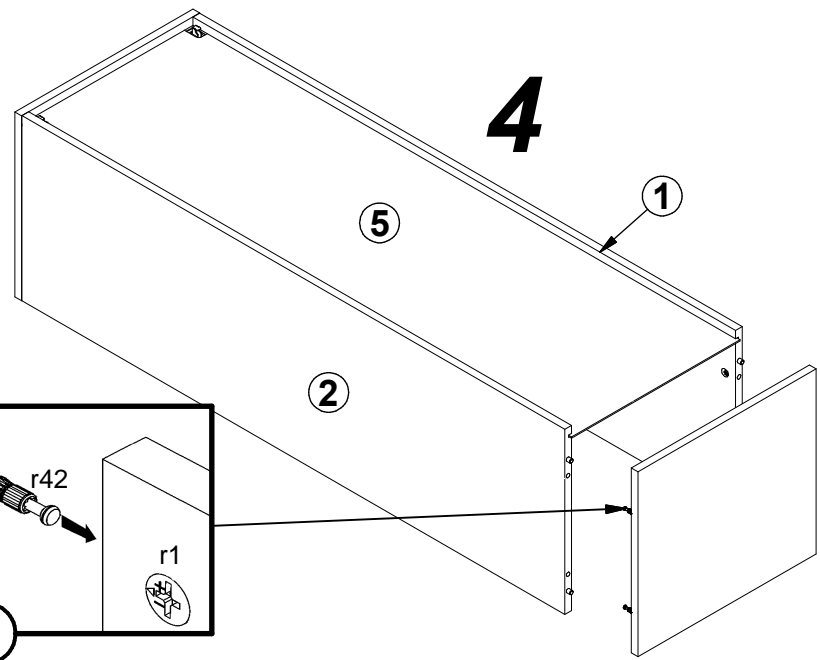
2



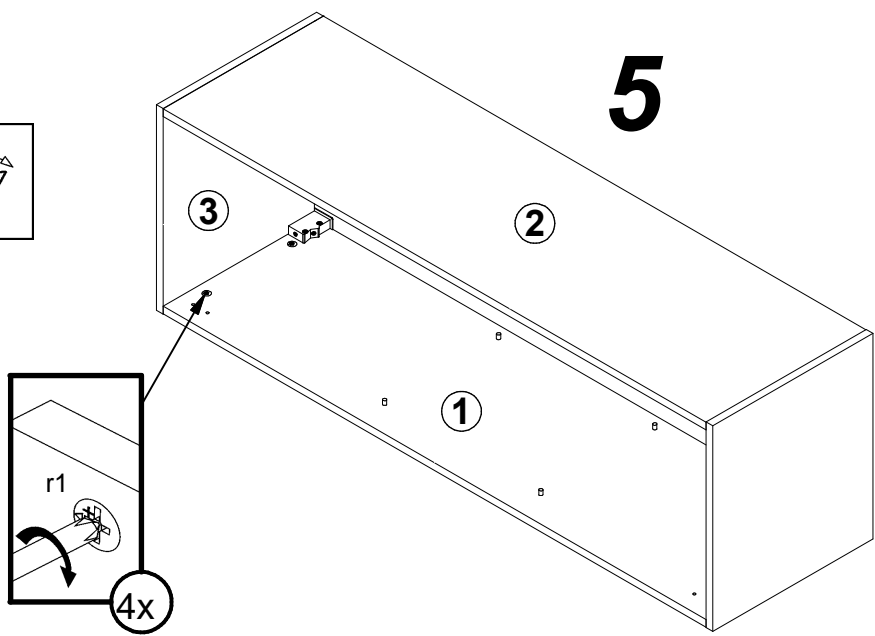
3

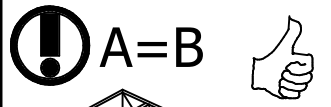


4

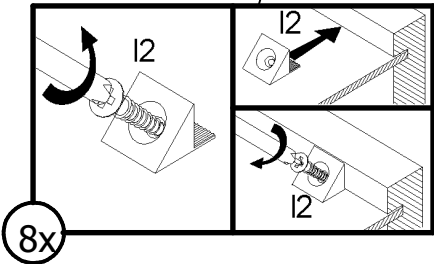
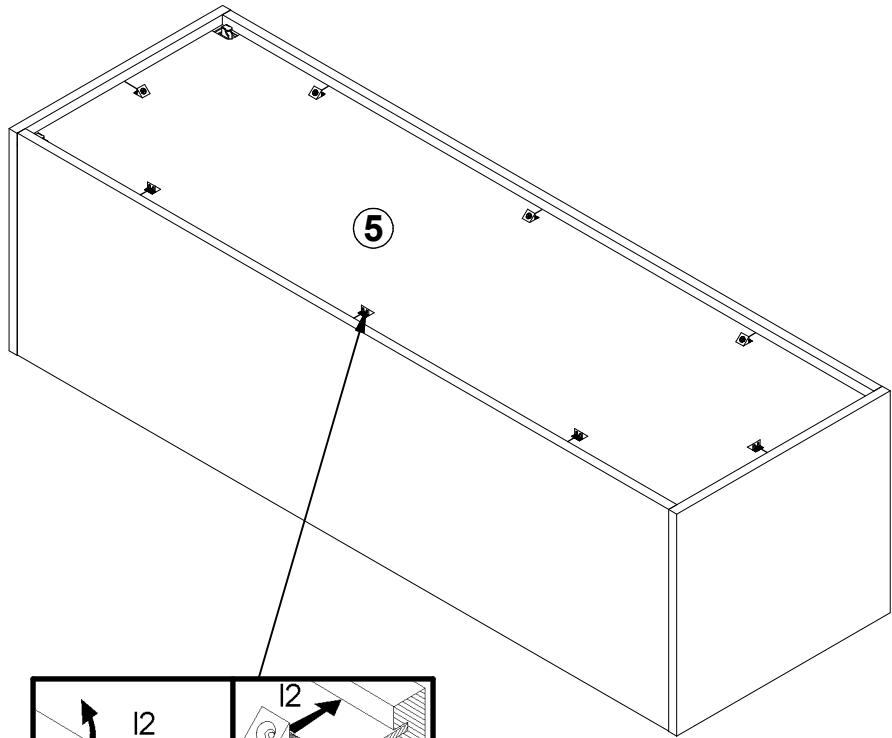
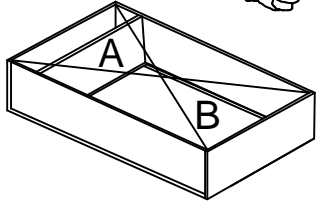


5

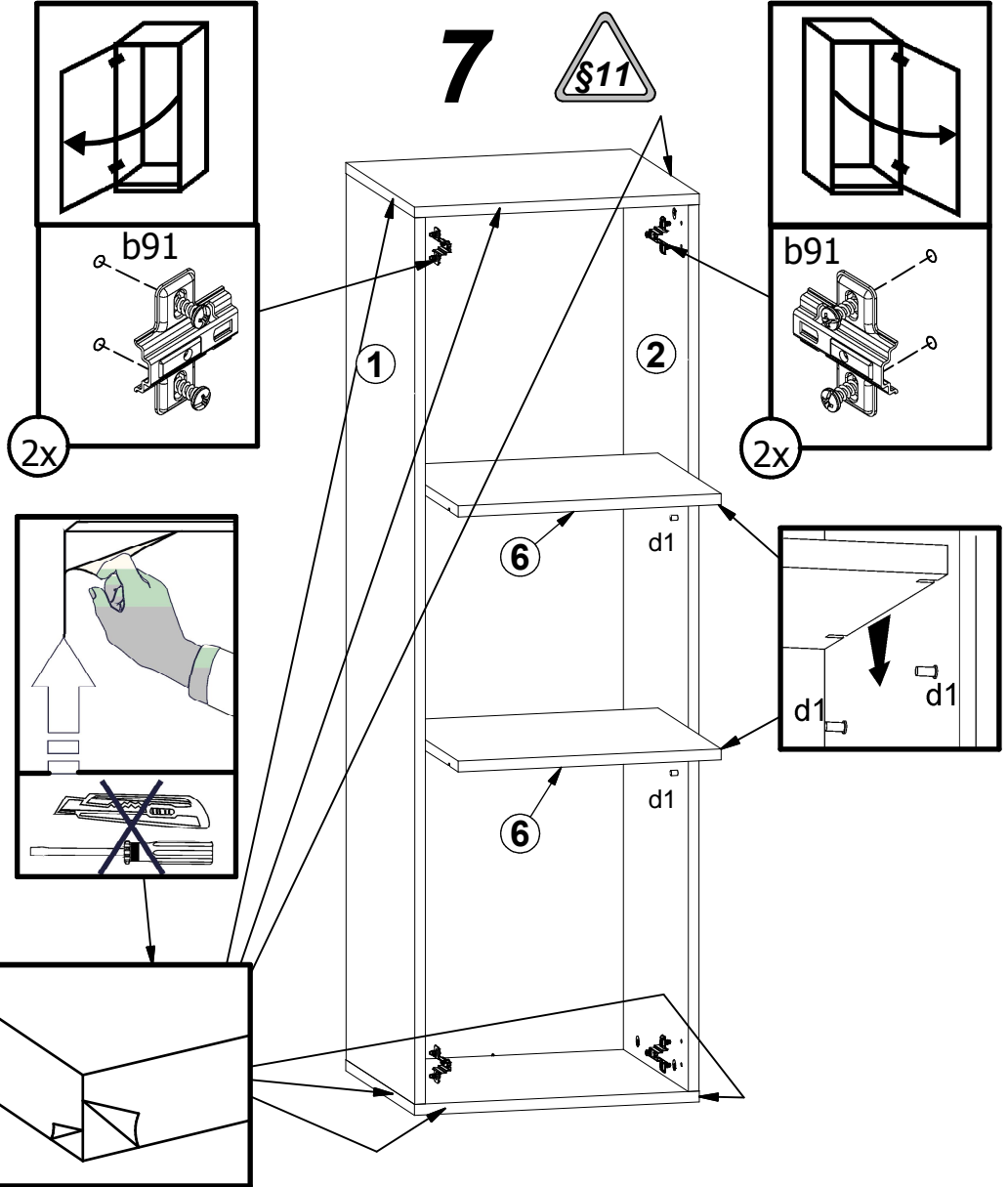




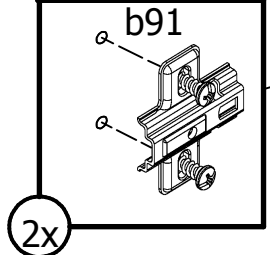
6



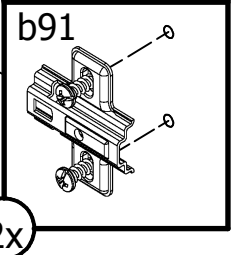
8x



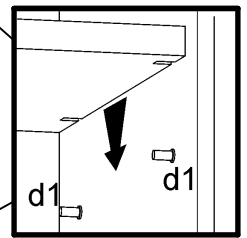
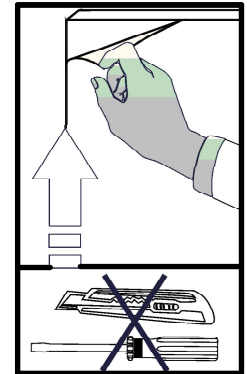
7



2x



2x



d1

d1

b91

6

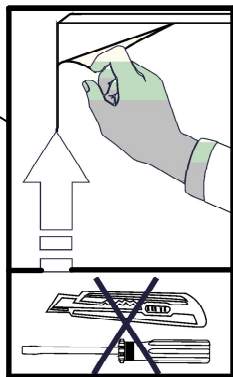
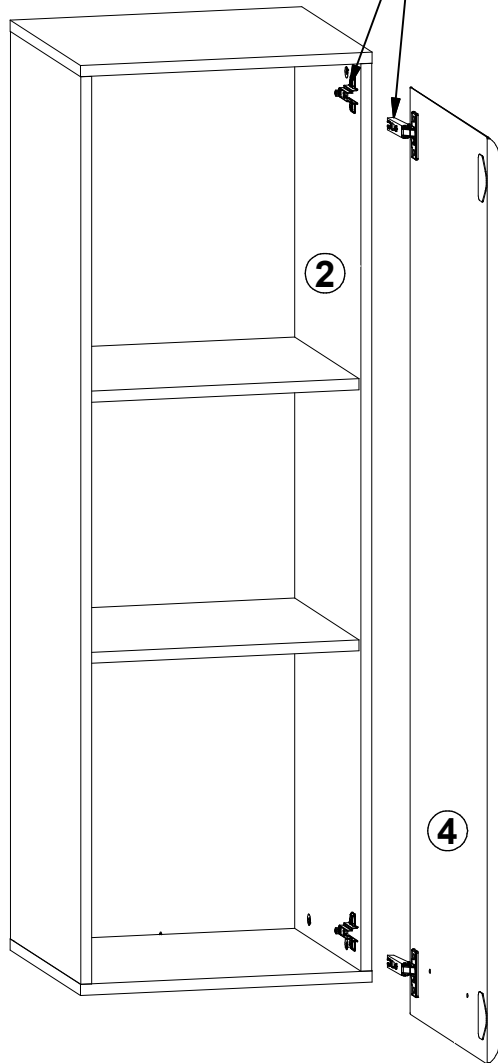
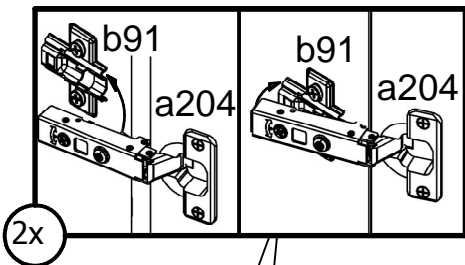
6

2

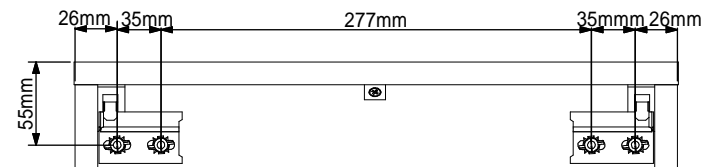
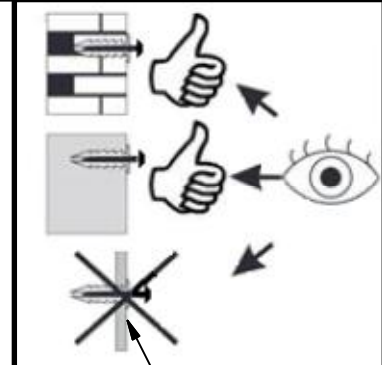
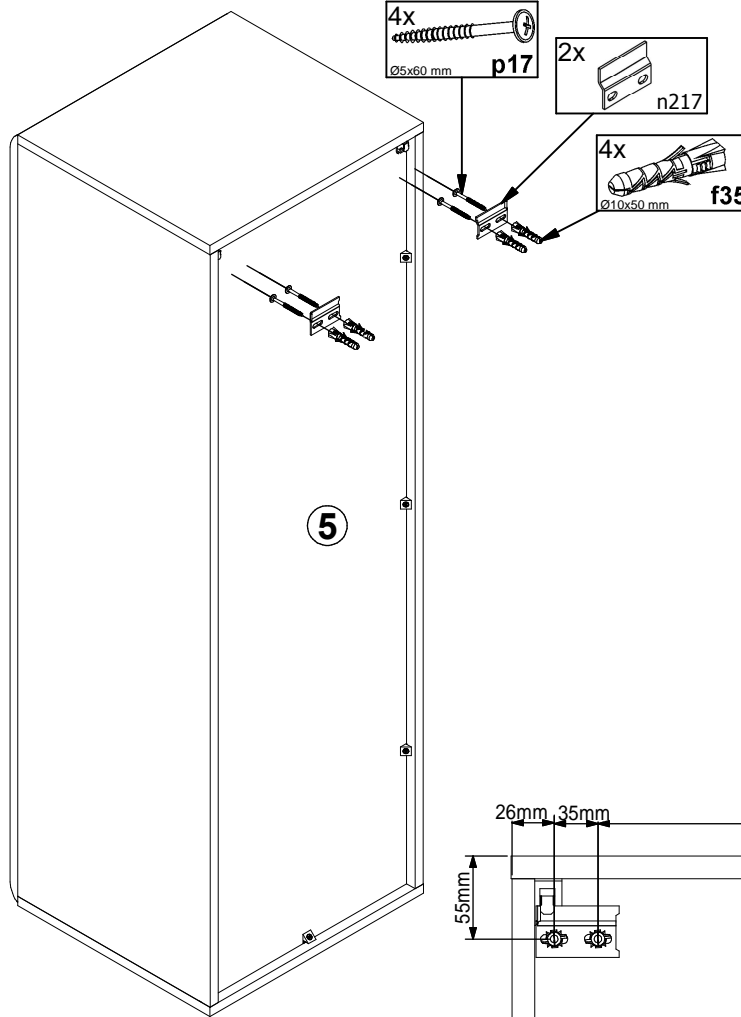
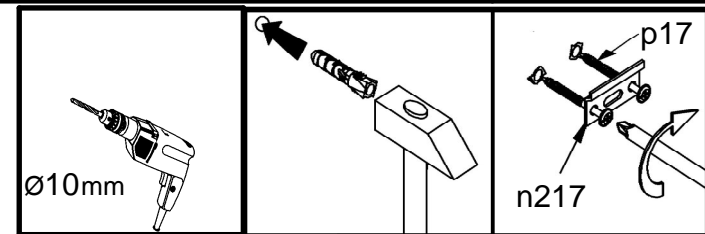
1

8x

8



9



10

