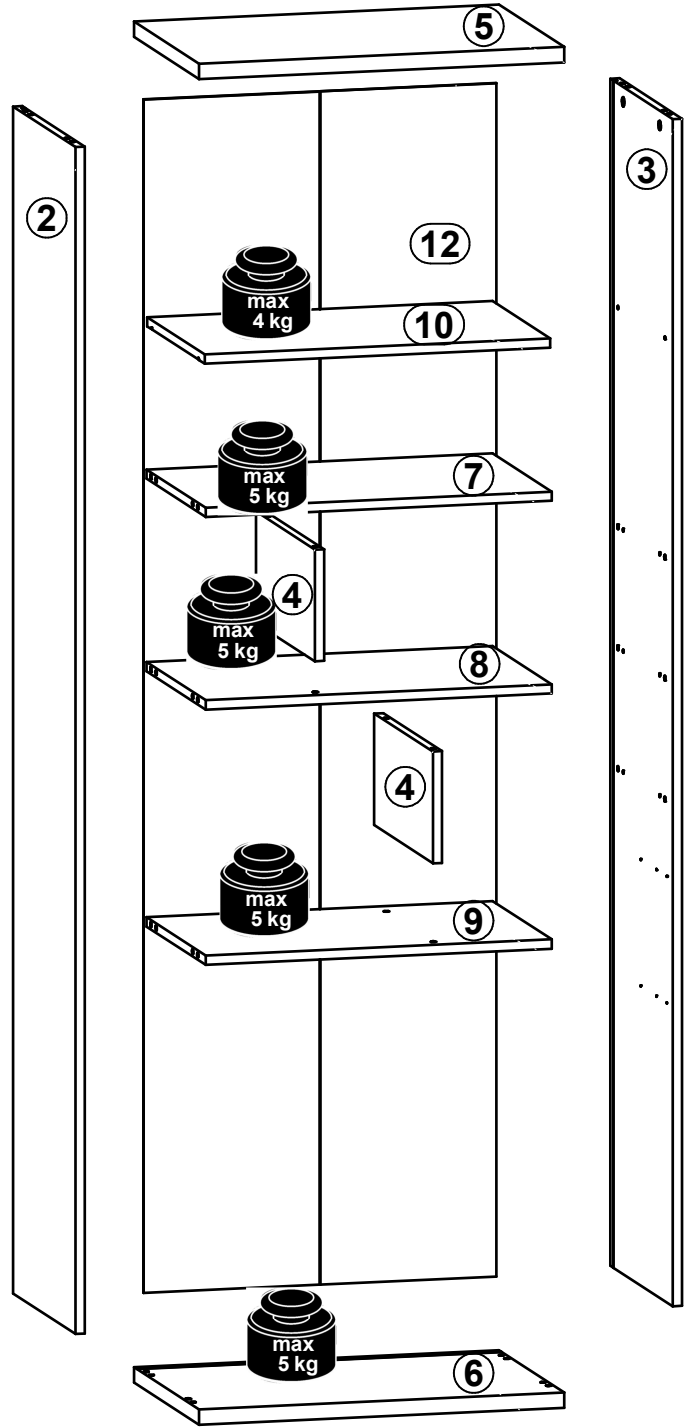
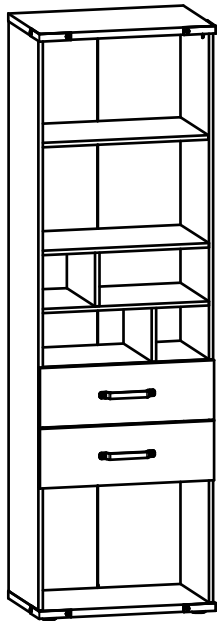
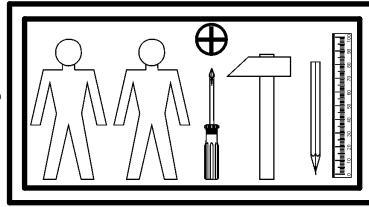
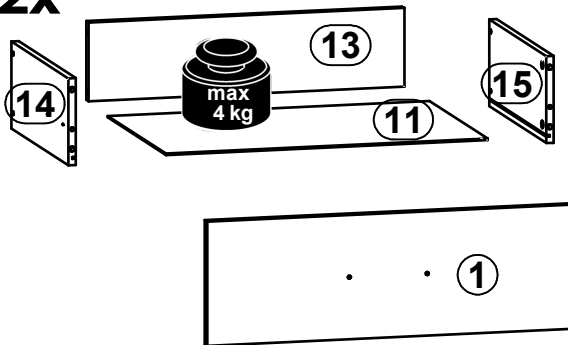


A	B	C	D	
1	S463-0001	596	200	2/2
2	S463-1001	1914	383	1/2
3	S463-1002	1914	383	1/2
4	S463-1003	180	361	2/2
5	S463-2001	600	400	2/2
6	S463-2002	600	400	2/2
7	S463-3001	569	362	2/2
8	S463-3002	569	362	2/2
9	S463-3003	569	362	2/2
10	S463-3004	568	353	2/2
11	S463-9001	529	357	2/2
12	S463-9301	1924	580	1/2
13	ZK3-5089	519	127	2/2
14	ZK4-513	350	140	2/2
15	ZK4-514	350	140	2/2

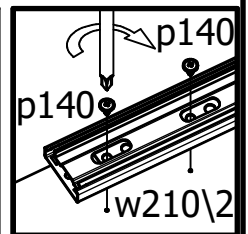
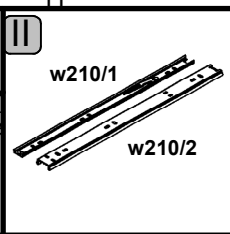
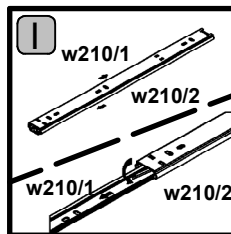
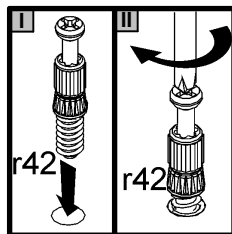
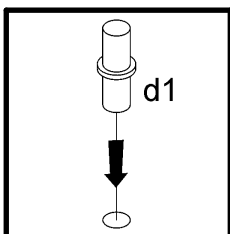
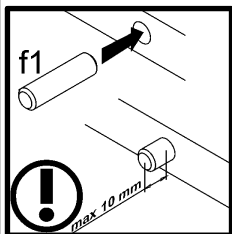
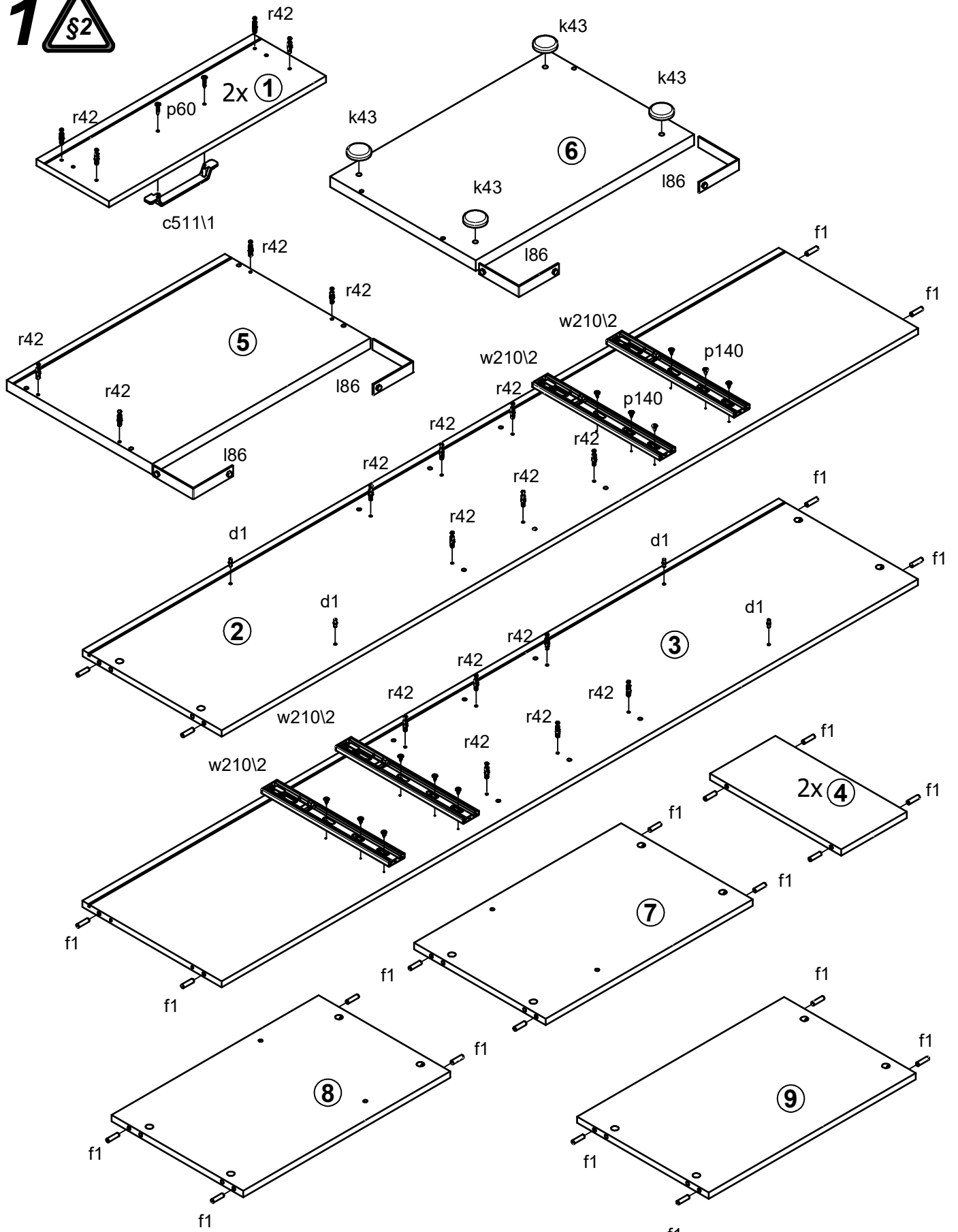


2x

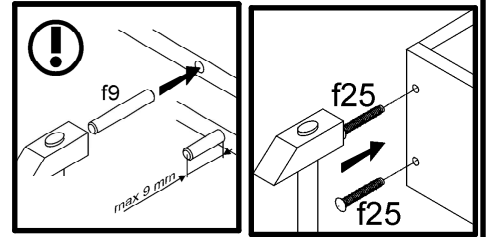
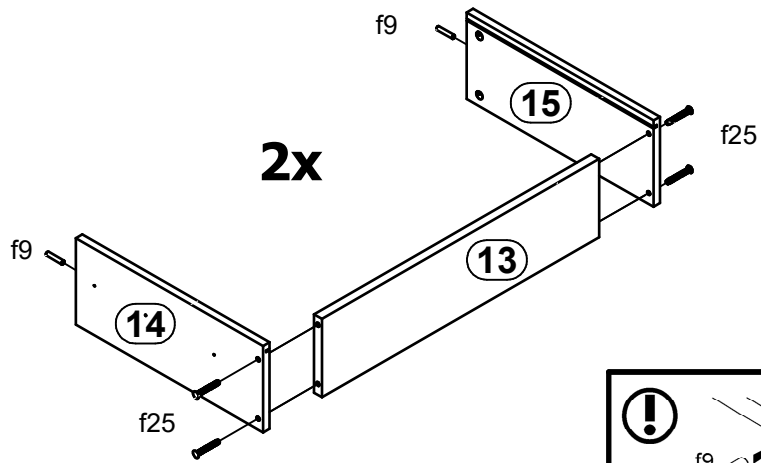


2x t28 c5111	4x Ø5x17 mm d1	4x Ø7x60 mm e8	28x Ø8x30 mm f1	8x Ø6.5x40 mm f25	4x Ø6x30 mm f9	4x Ø48x10 mm k43	12x l2	4x l86
24x Ø3.5x12 mm p140	2x Ø3.5x16 mm p25	2x Ø3.5x10 mm p35	9x Ø3.5x16 mm p38	3x Ø2.9x16 mm p55	4x Ø4x22 mm p60	16x Ø15x12 mm #16 r1	8x Ø12x10.5 mm #12 r15	24x 20/11 r42
2x 350 mm t35	4x L-350 mm w210\1	4x L-350 mm w210\2	8x Ø 20mm s68	1x 4 mm z1	1x n26\1			

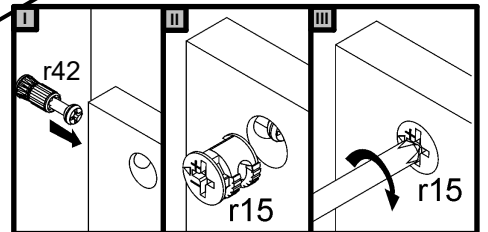
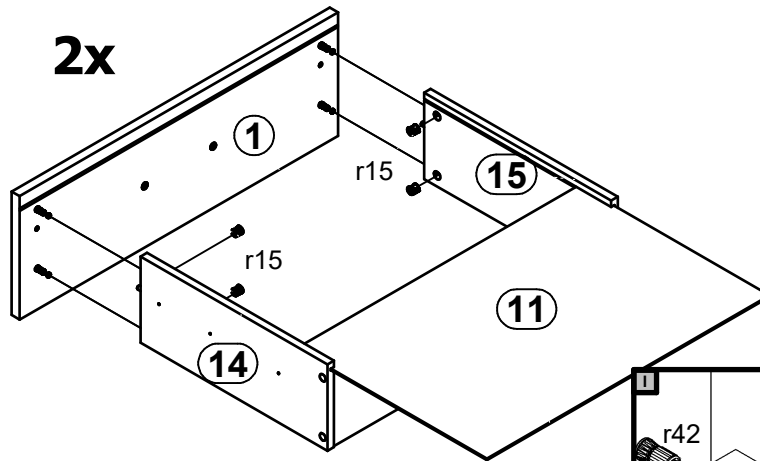
1 



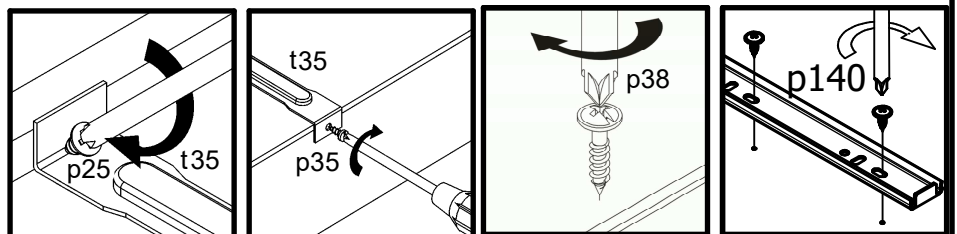
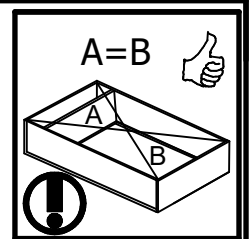
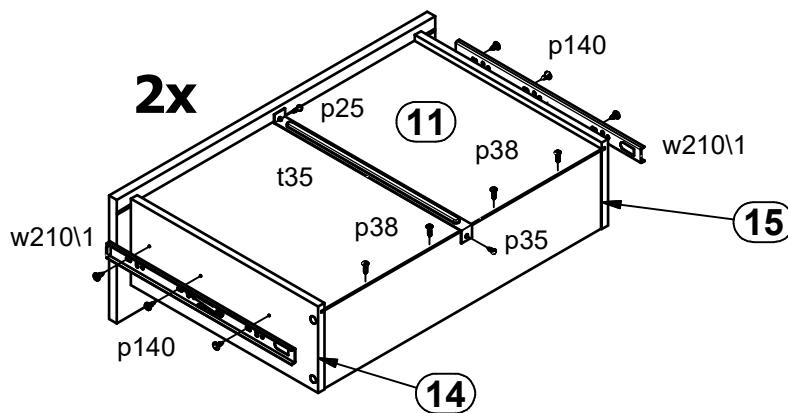
2



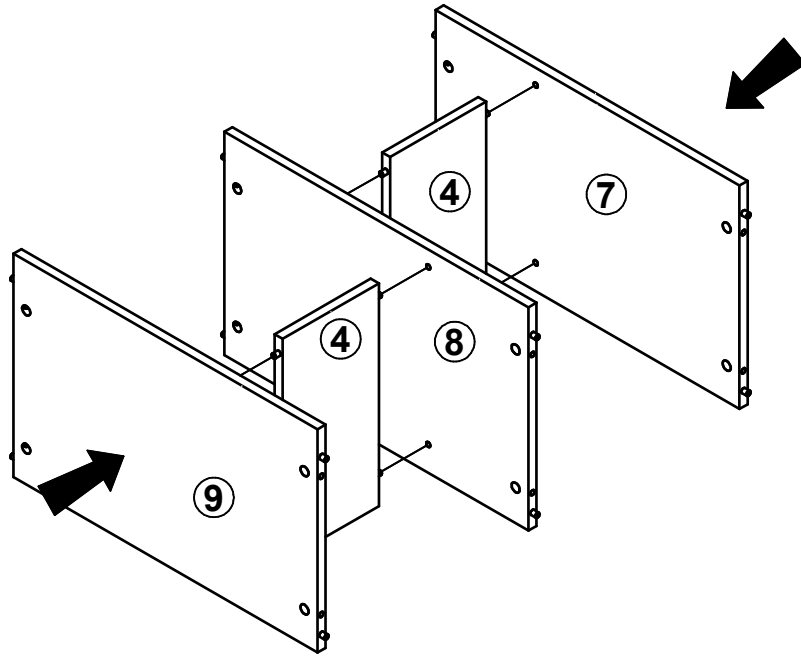
3



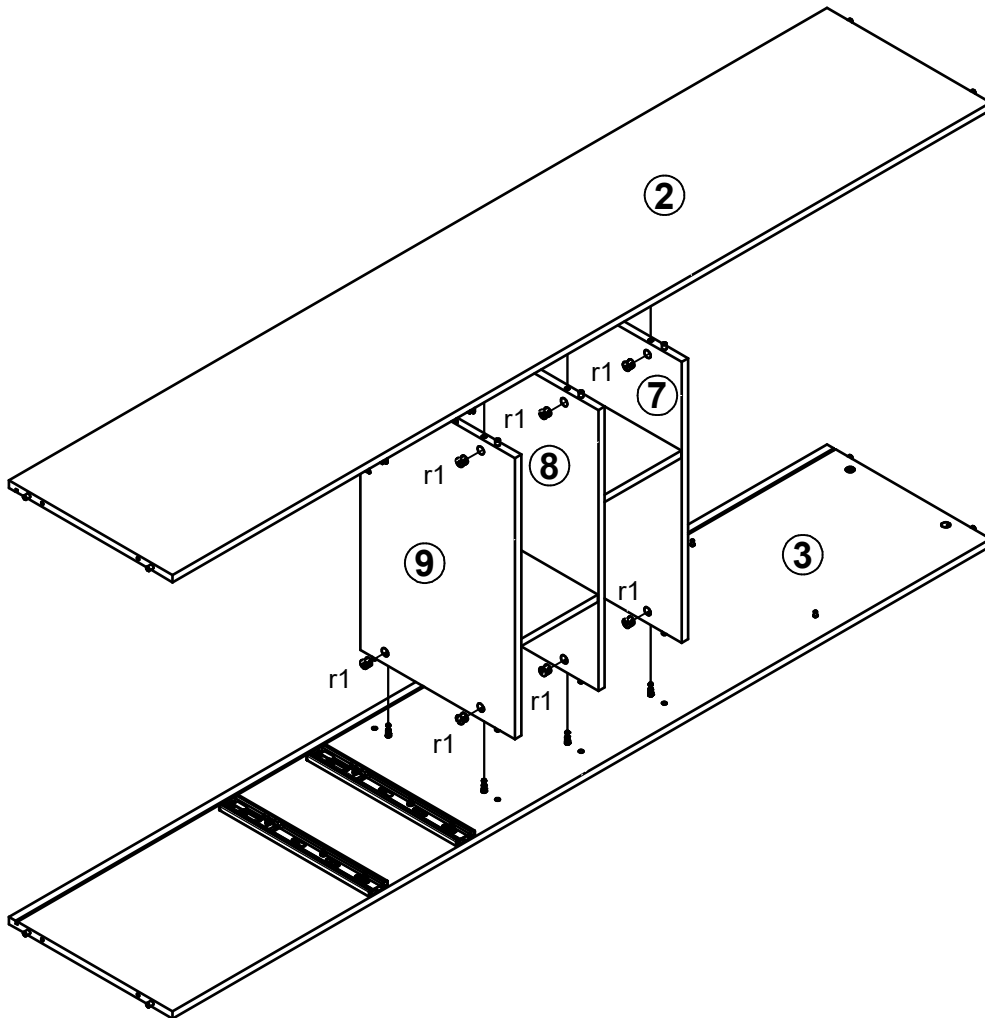
4



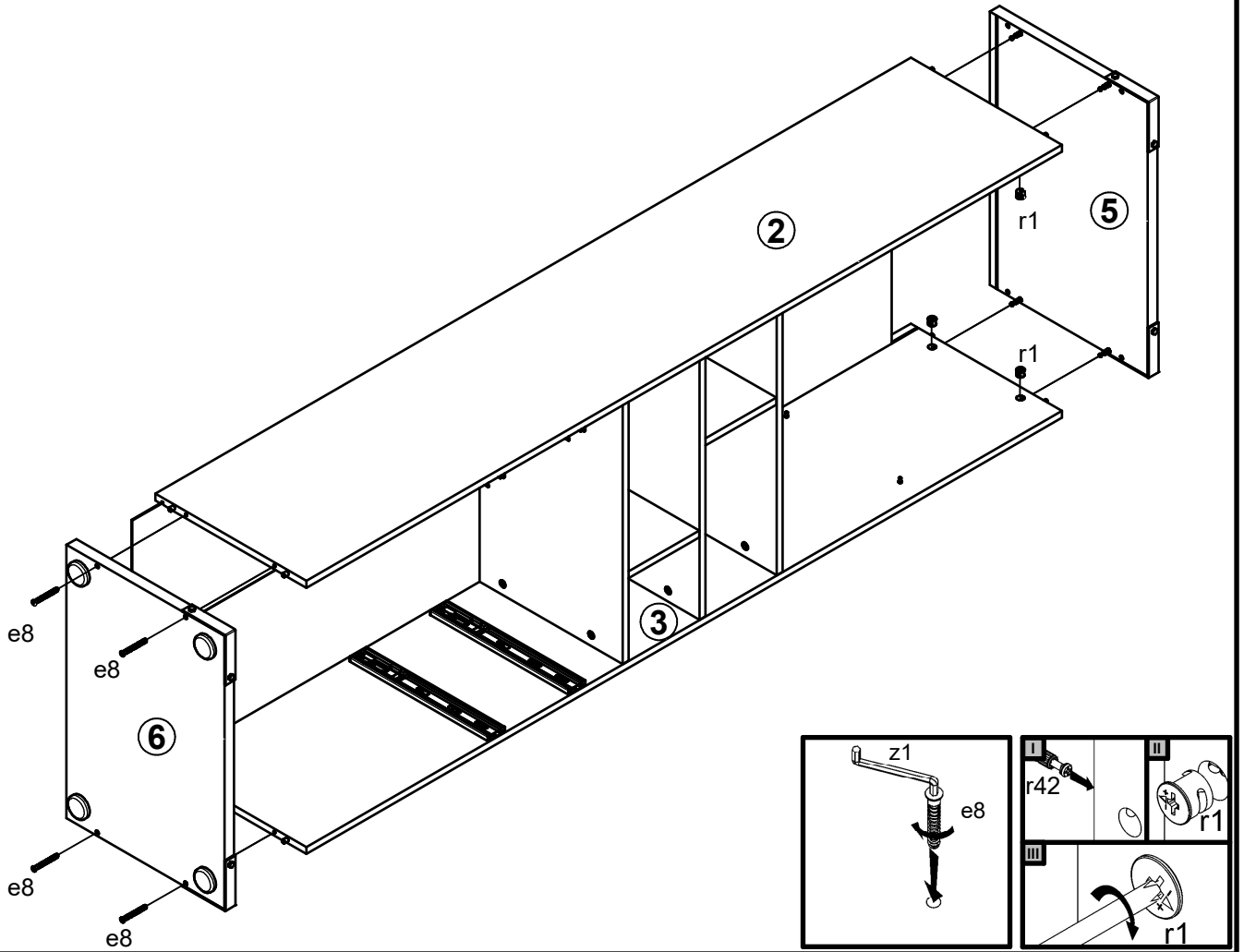
5



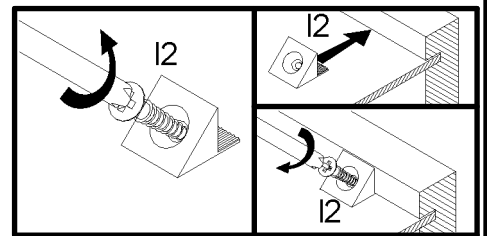
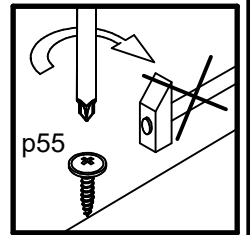
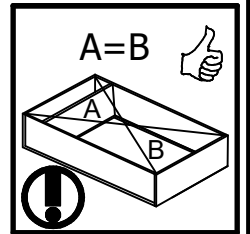
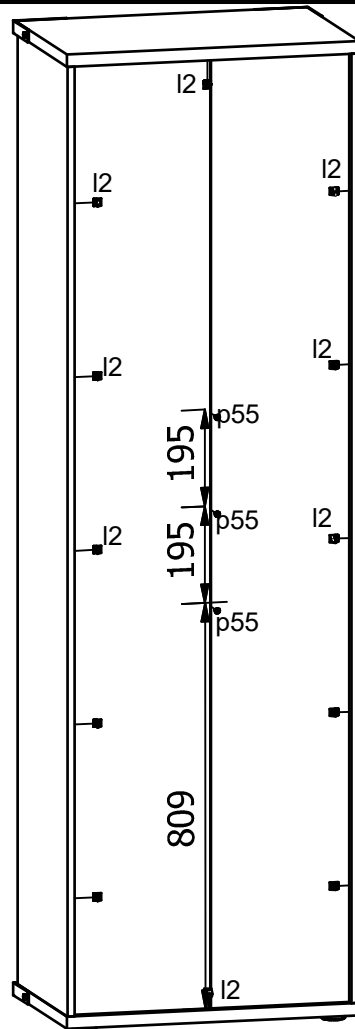
6



7



8



9

