
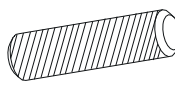
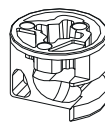


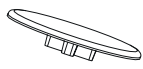
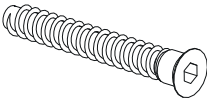
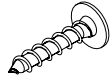
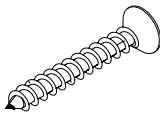
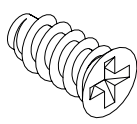
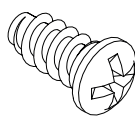
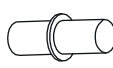
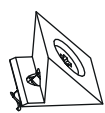
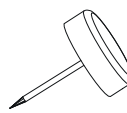
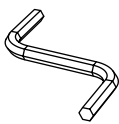
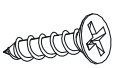

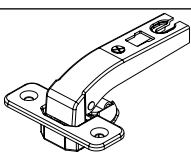
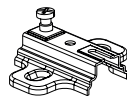
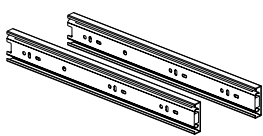

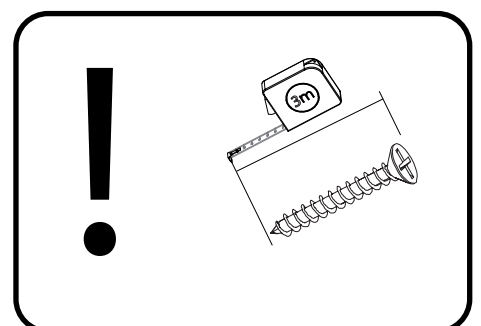
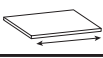
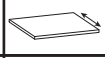
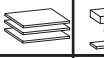



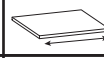
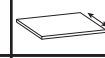
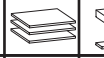

# CASTEL 19

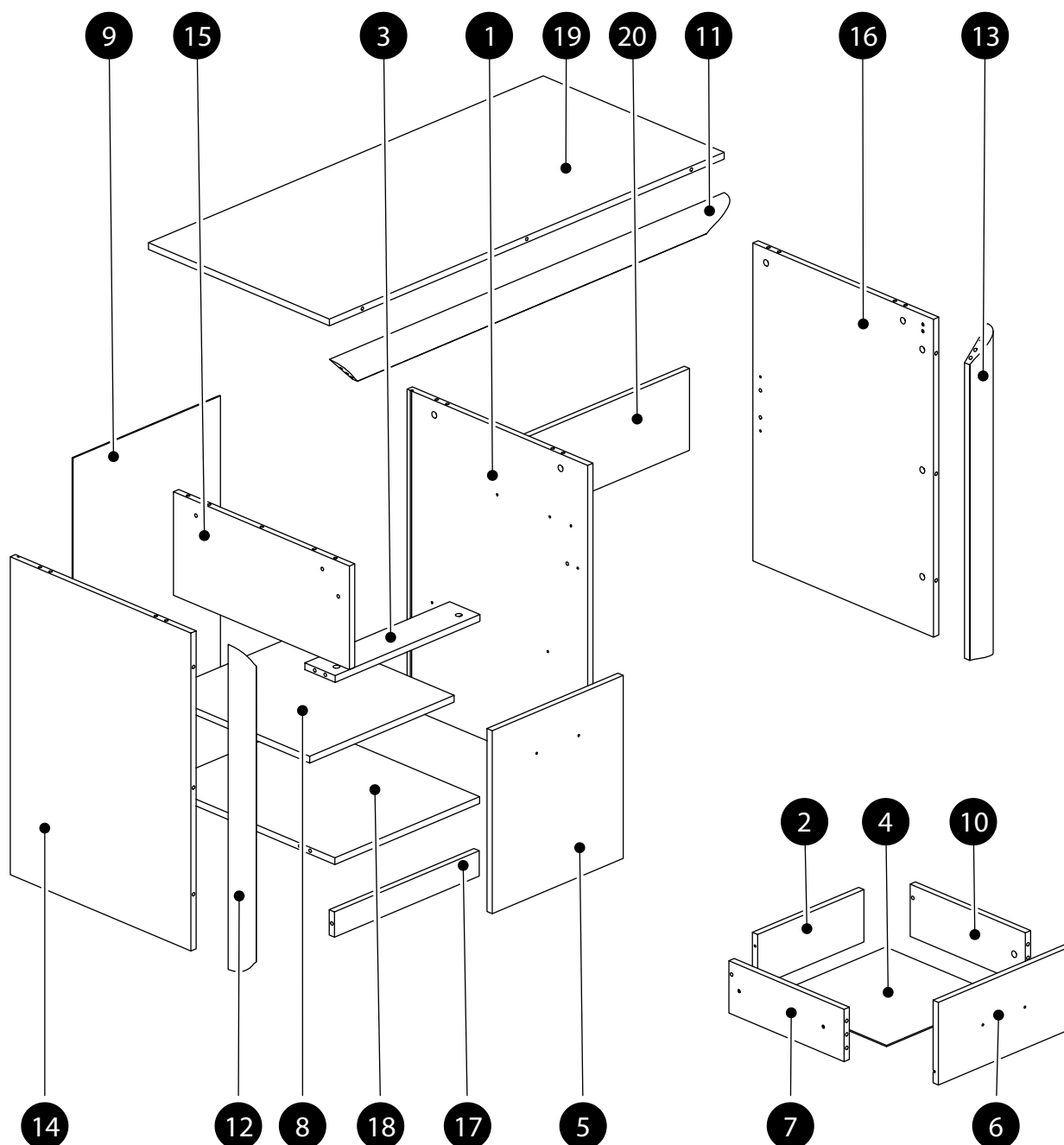
<b>GW1</b> x 5 1,4x25 	<b>K1</b> x 29 8x32 	<b>B2</b> x 34 h-12 
<b>ZJ1</b> x 30 L-43 	<b>ZD1</b> x 2 L68 	<b>ZM1</b> x 16 Ø18 
<b>KT1</b> x 3 6,3x50 	<b>WT9</b> x 14 3x16 	<b>WT18</b> x 4 4x30 
<b>WE7</b> x 6 ES6,3x13KBH 	<b>WE2</b> x 4 EK6,3x13B 	<b>PO2</b> x 4 Ø5 
<b>SP</b> x 5 	<b>SG1</b> x 6 	x 1 
<b>WT1</b> x 8 3,5x15 	<b>U3</b> x 2 L-148 	<b>ZP8</b> x 2 ROWN 
<b>PK3</b> x 2 H-2 	<b>P1</b> x 1 L-350 	<b>KW7</b> x 1 50x50 

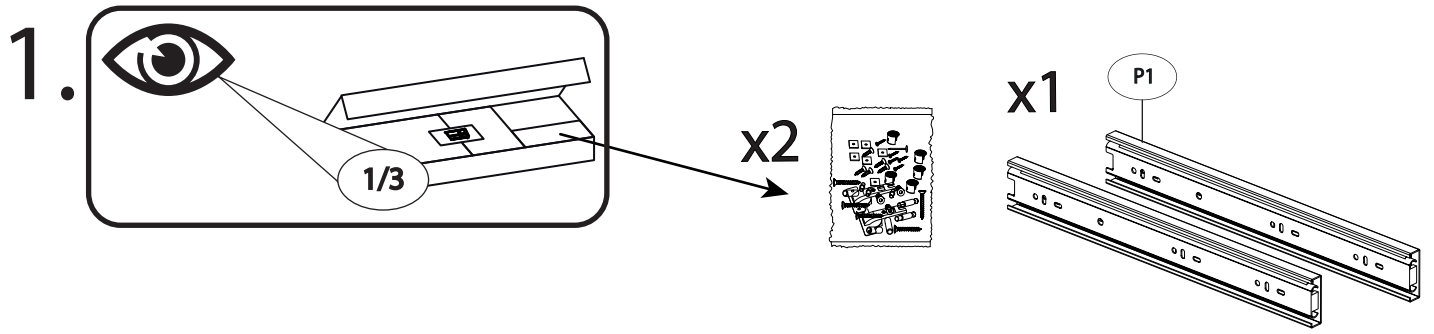


# CASTEL 19

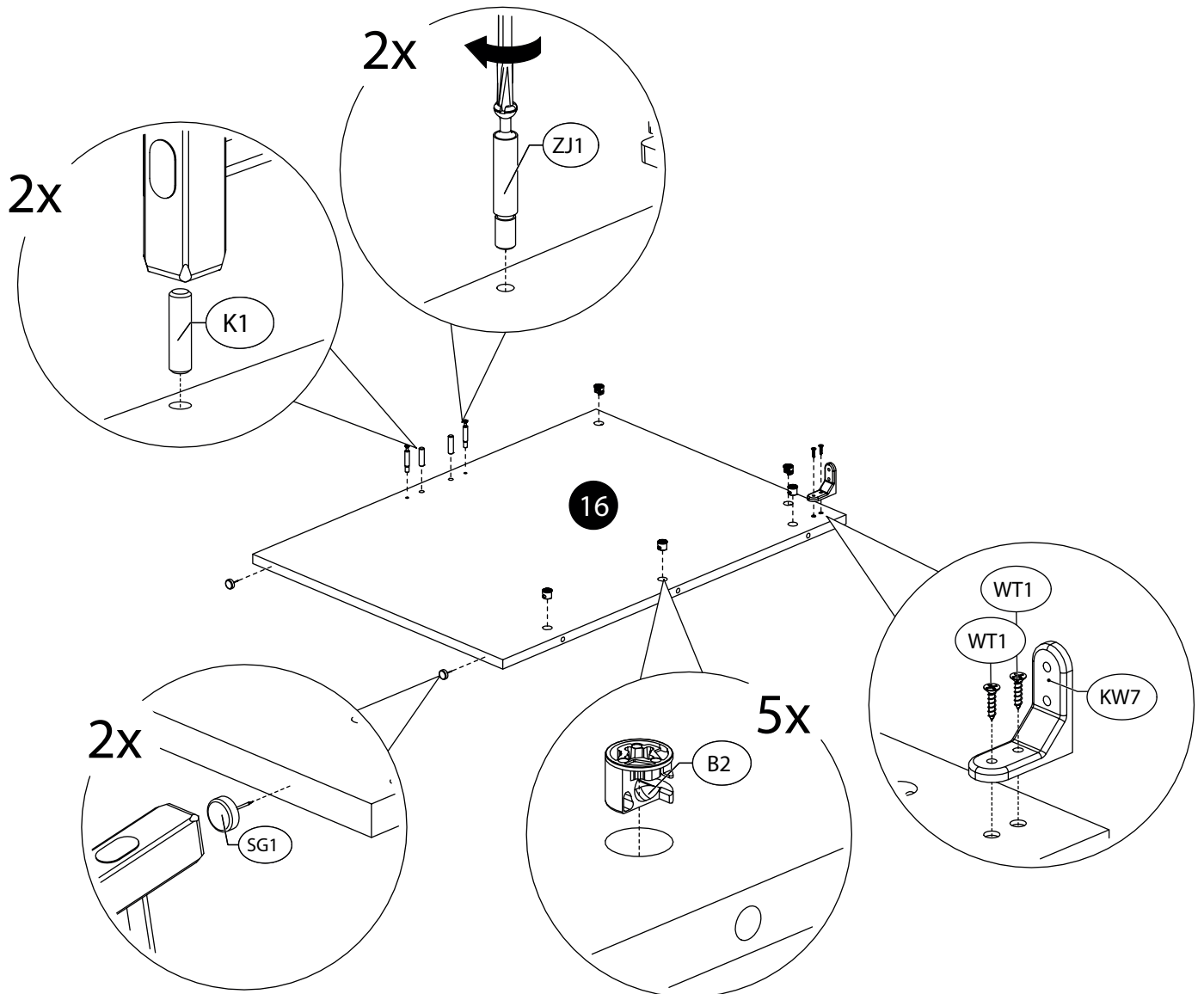
	CODE				
1	Castel19_05	754	549	1	2/3
2	Castel19_14	323	124	1	1/3
3	Castel19_10	440	92	1	2/3
4	Castel19HDF_02	355	355	1	1/3
5	Castel19_11	398	434	1	1/3
6	Castel19_15	398	196	1	2/3
7	Castel19_12	350	124	1	2/3
8	Castel19_07	439	457	1	2/3
9	Castel19HDF_01	692	448	1	1/3
10	Castel19_13	350	124	1	2/3

	CODE				
11	Castel19_18	1200	70	1	3/3
12	Castel19_16	771	70	1	3/3
13	Castel19_17	771	70	1	3/3
14	Castel19_03	754	549	1	1/3
15	Castel19_06	245	535	1	1/3
16	Castel19_04	754	549	1	1/3
17	Castel19_09	440	60	1	1/3
18	Castel19_02	440	534	1	2/3
19	Castel19_01	1200	550	1	2/3
20	Castel19_08	709	194	1	2/3

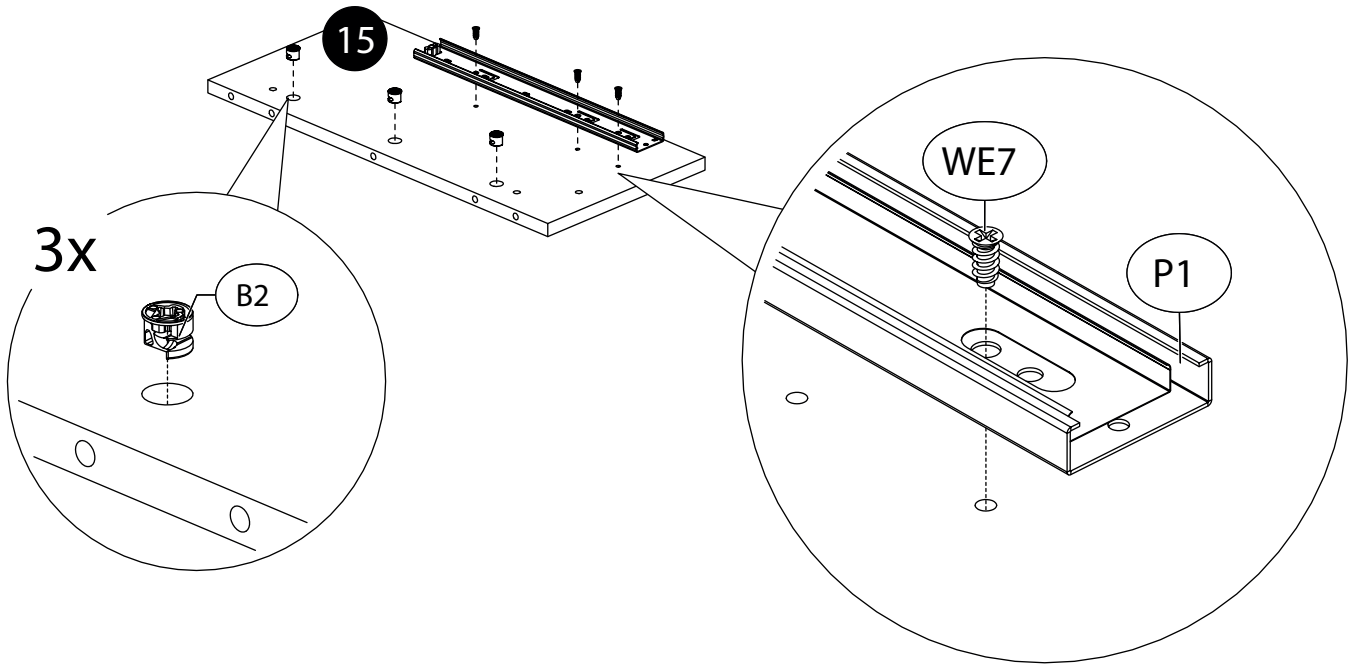




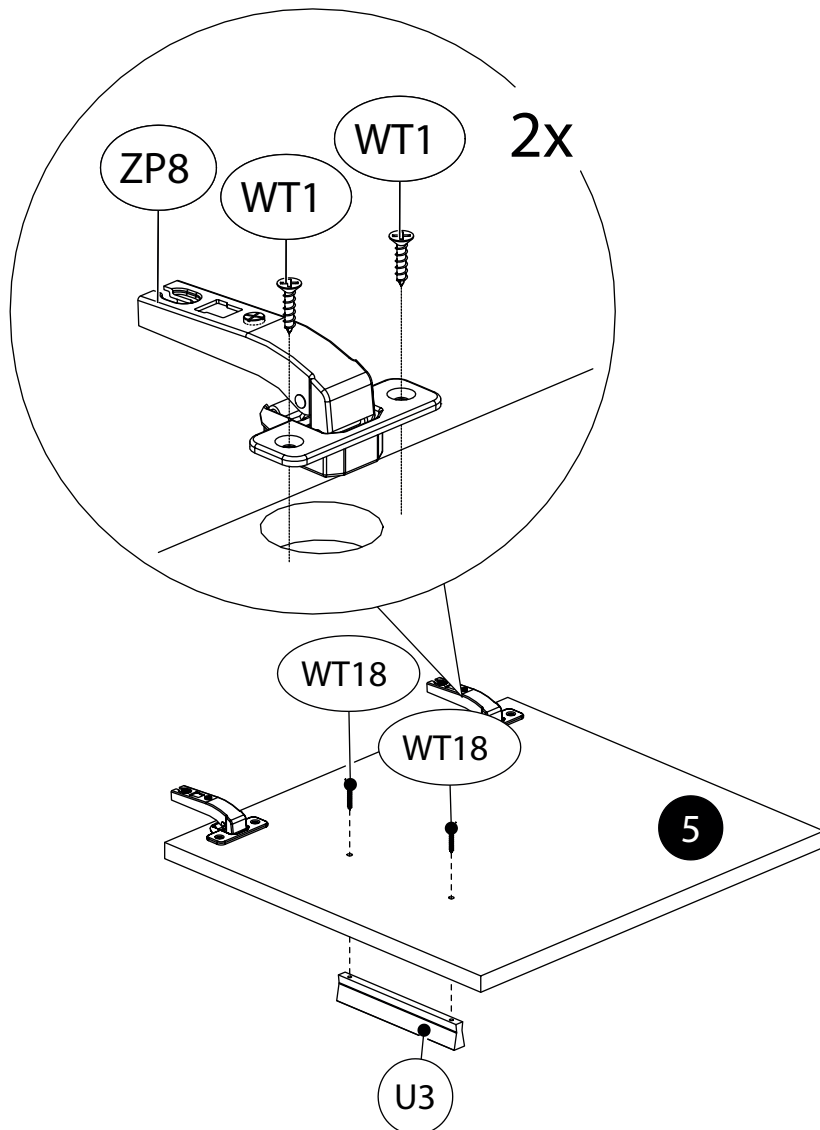
2.



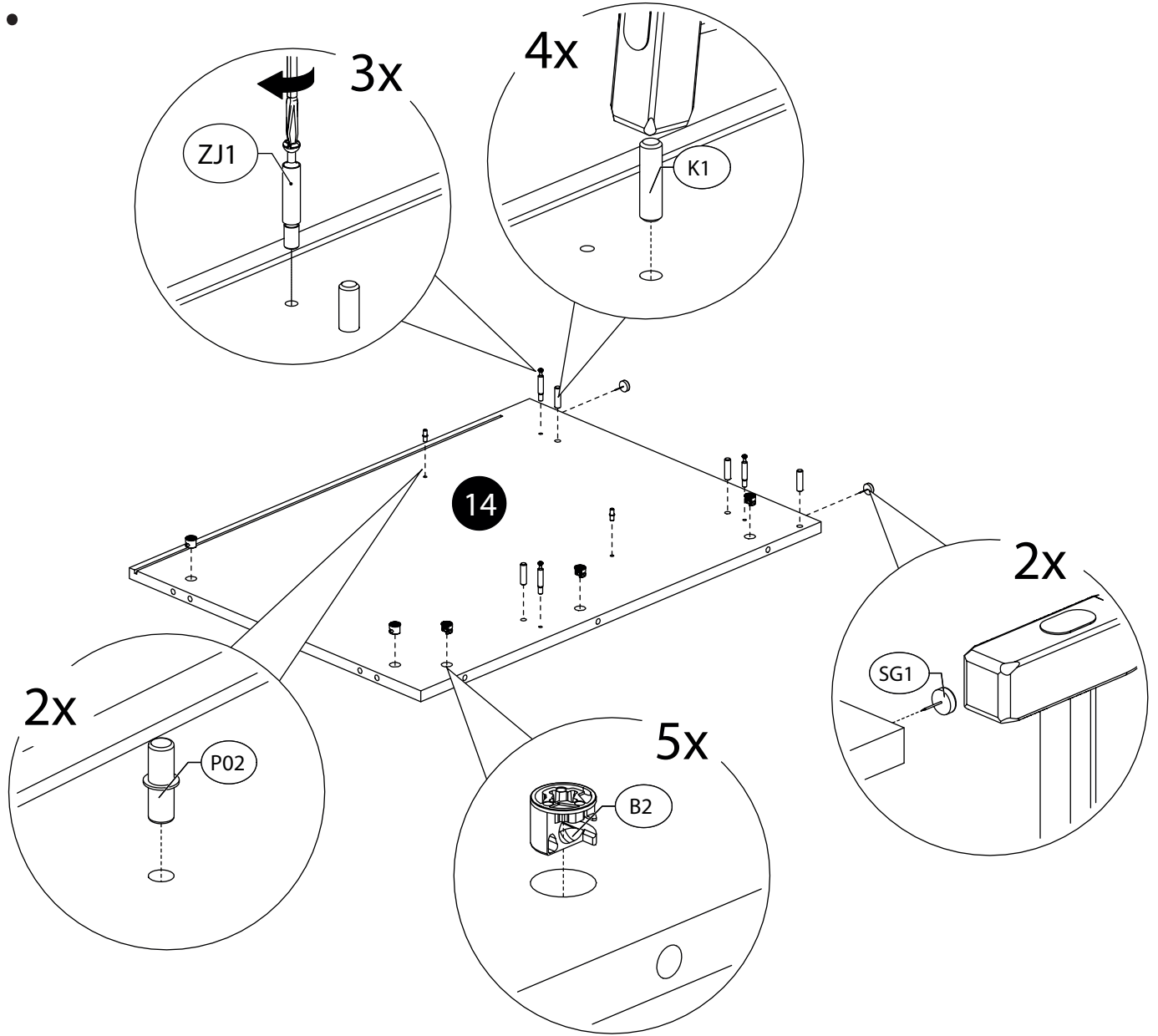
3.



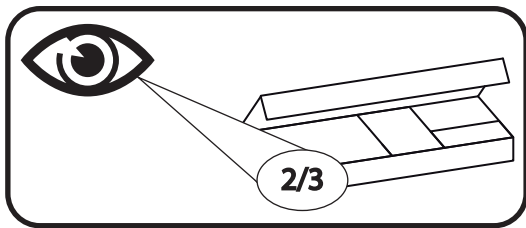
4.



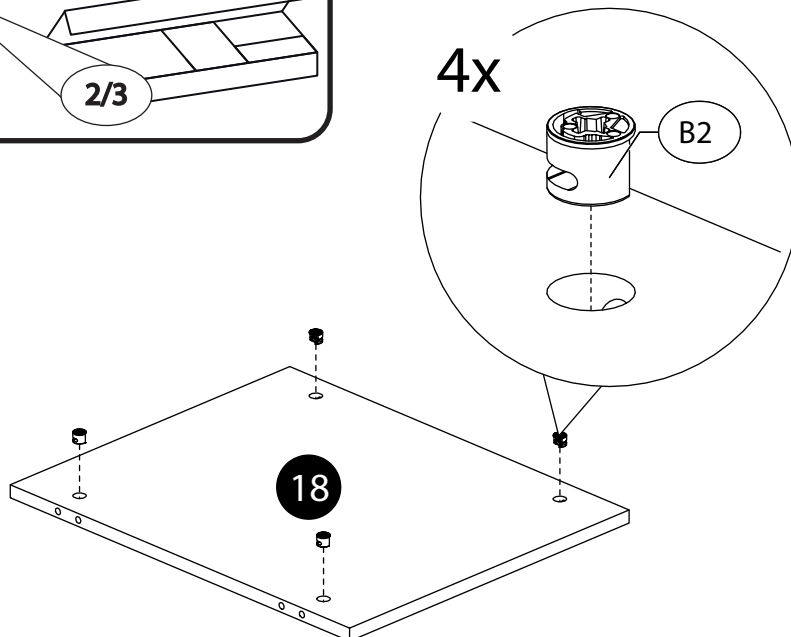
5.



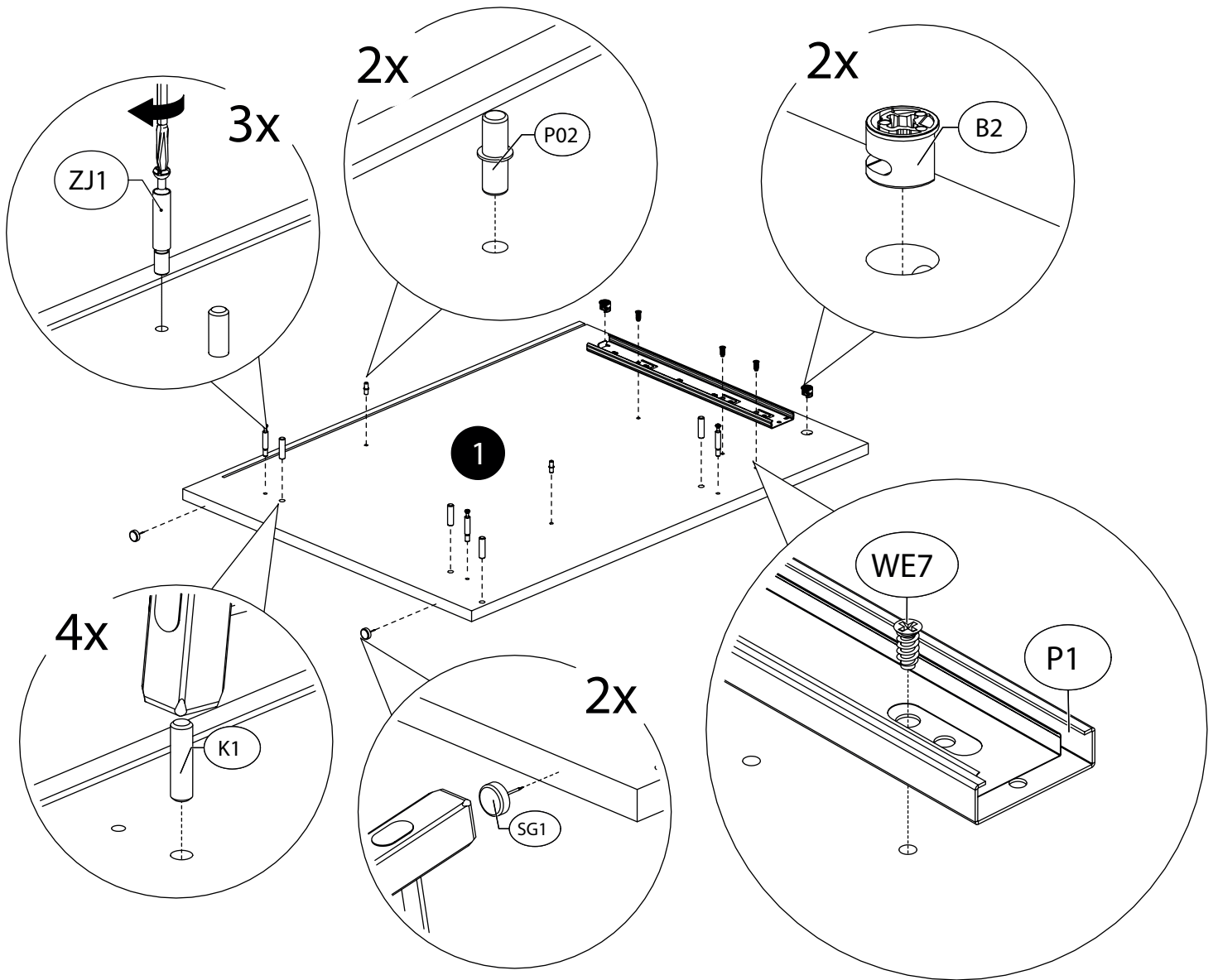
6.



7.

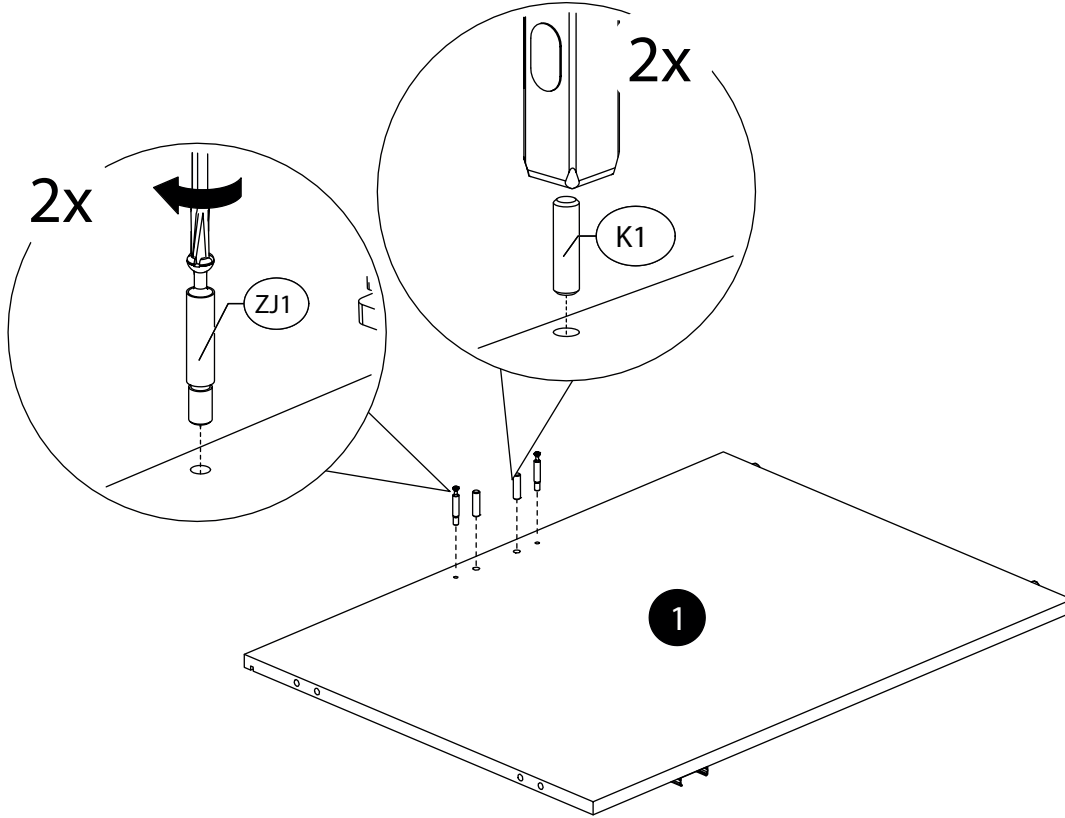
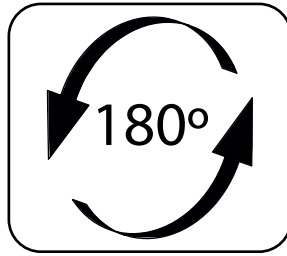


# 8.

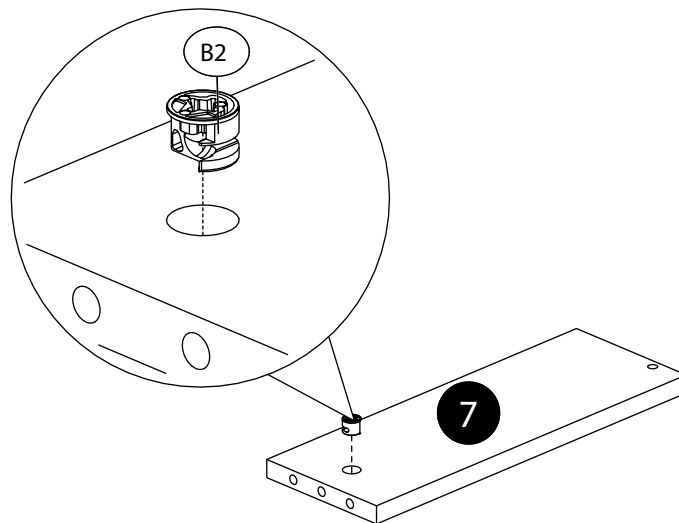




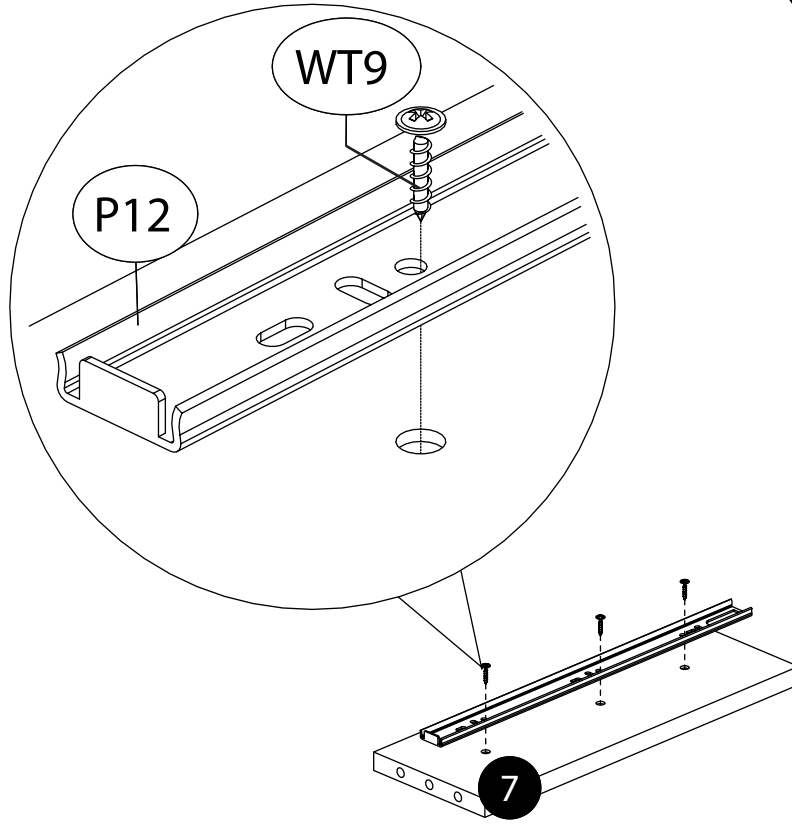
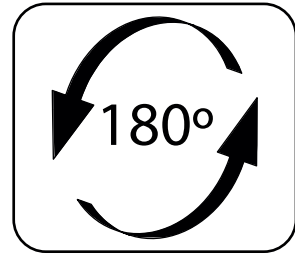
9.



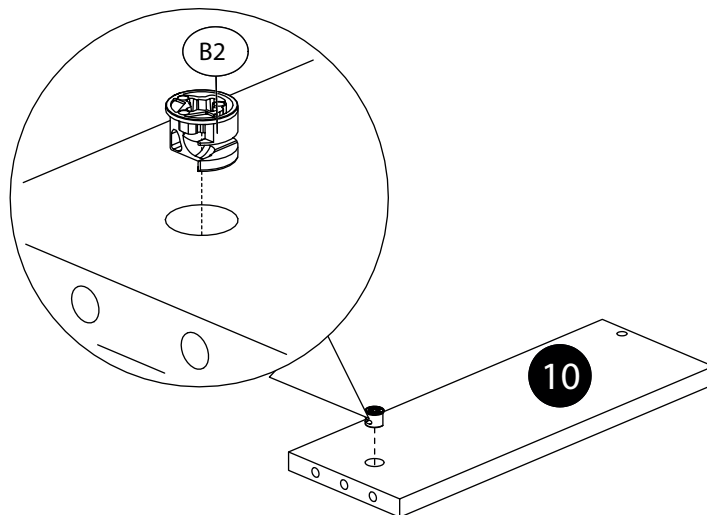
10.



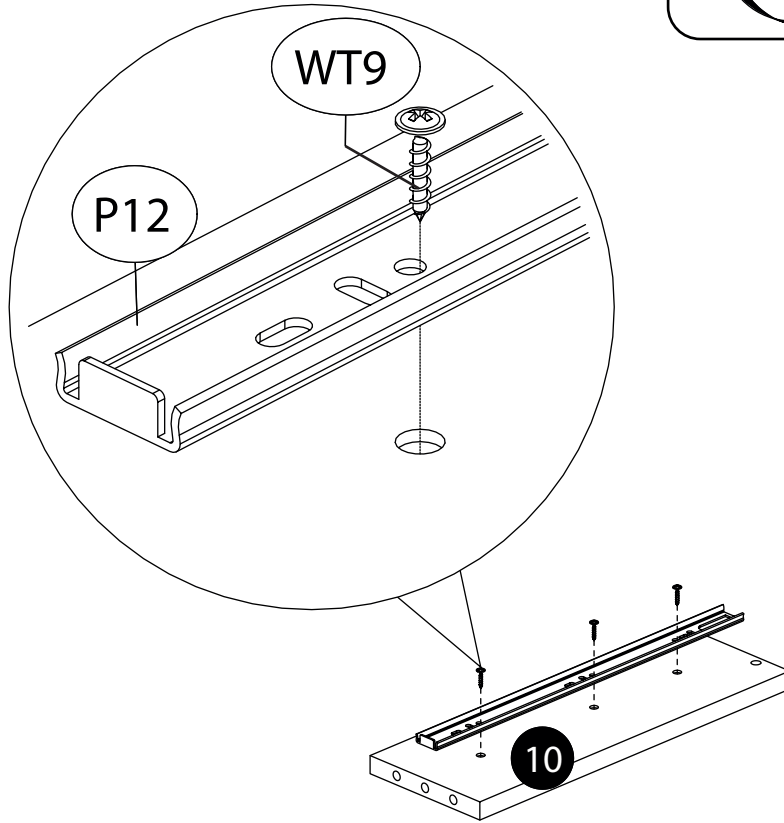
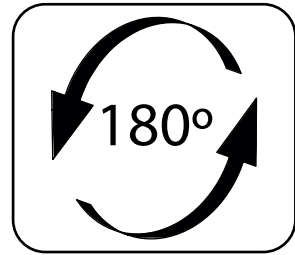
11.



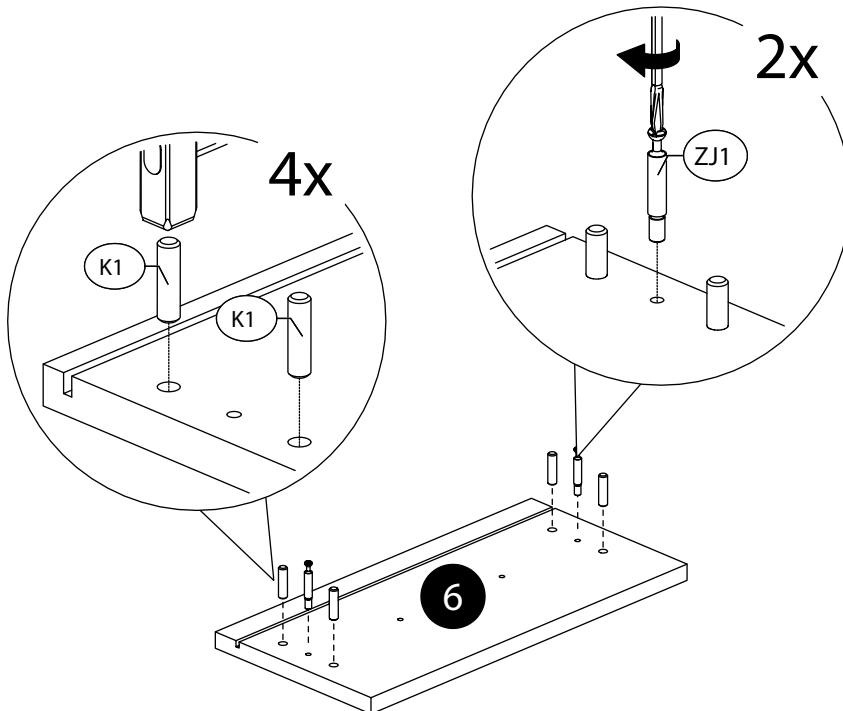
12.



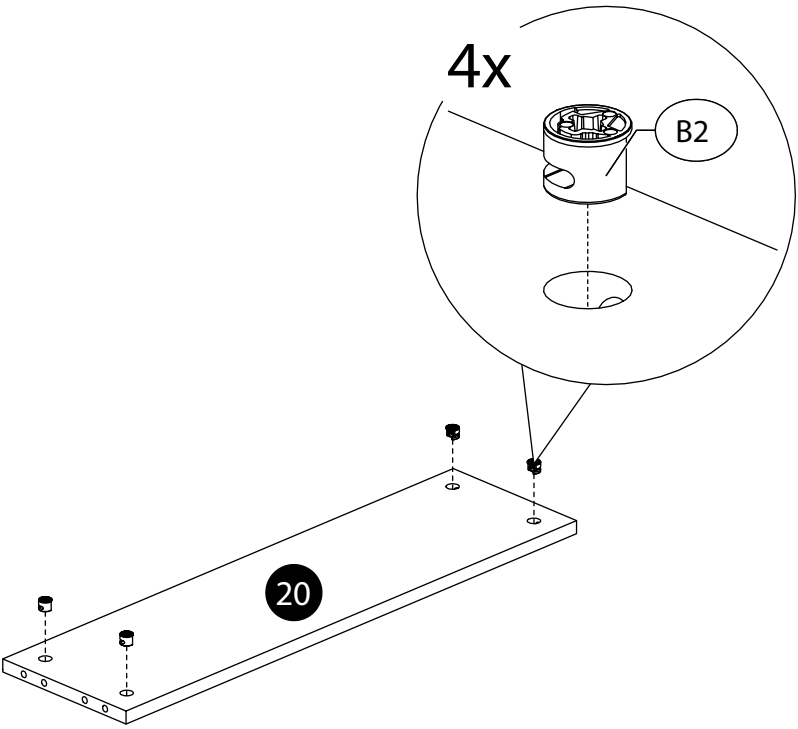
13.



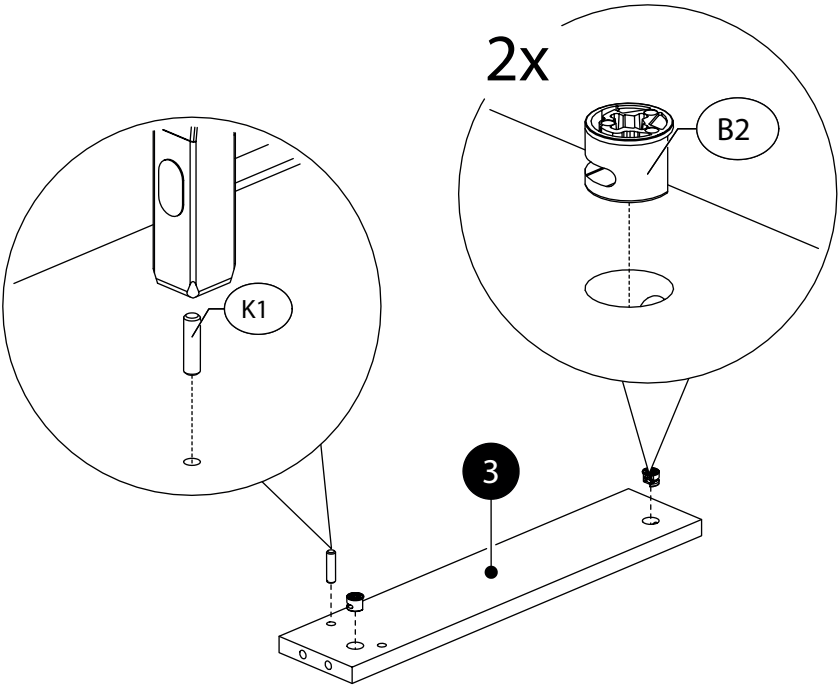
14.



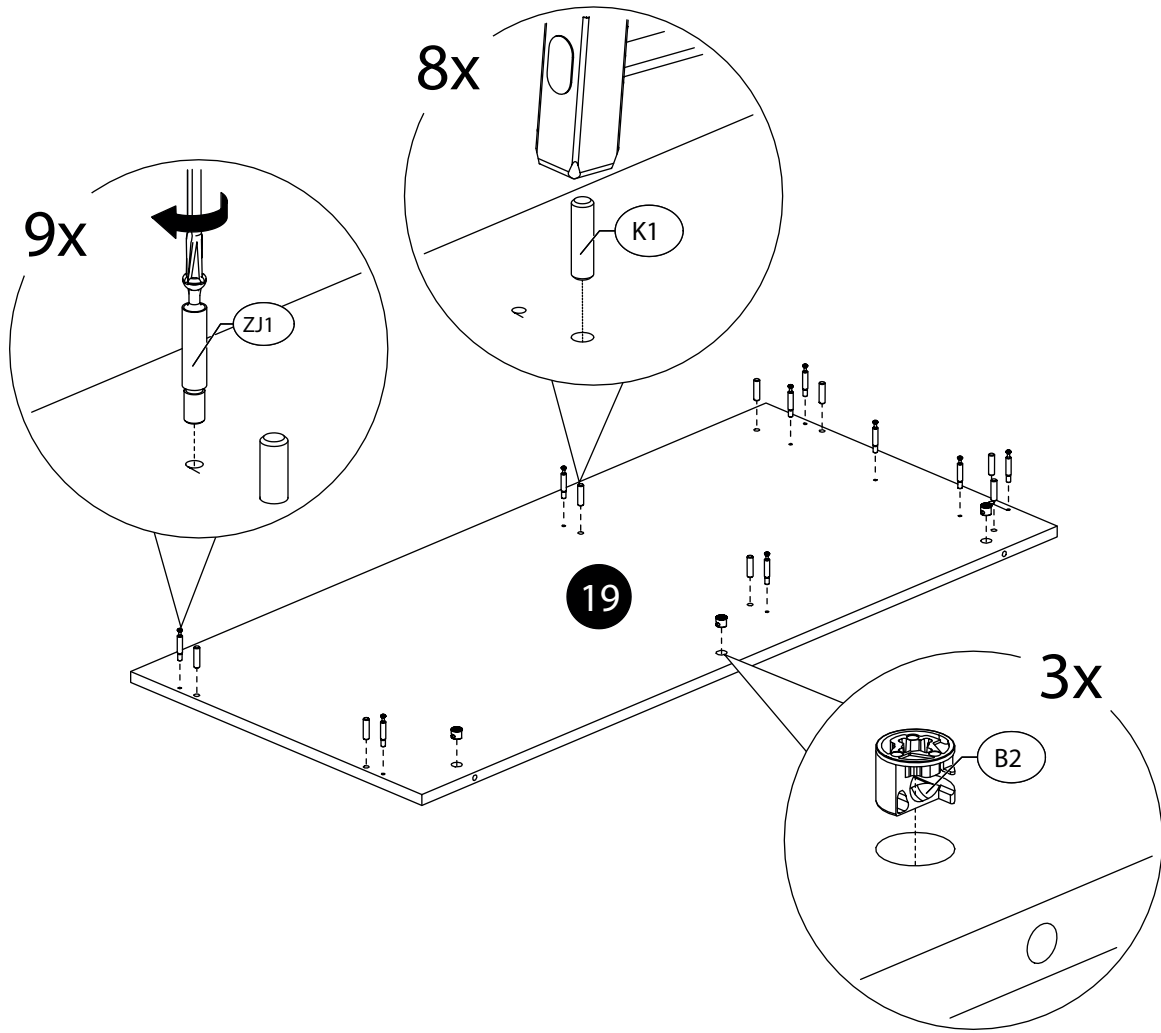
15.



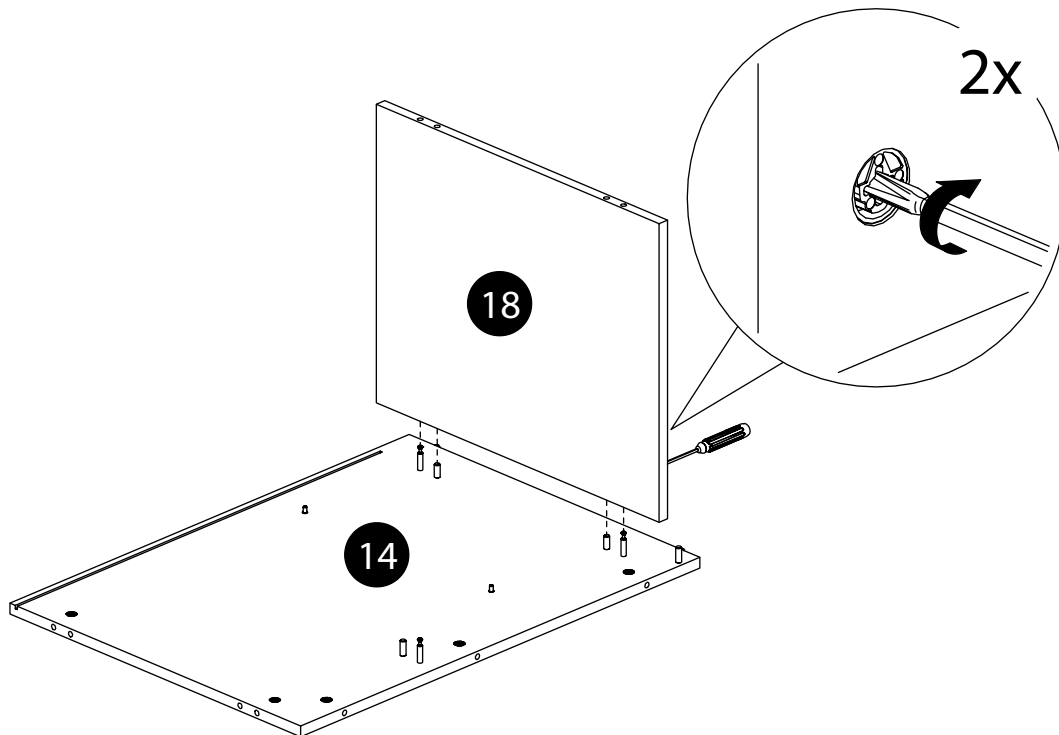
16.



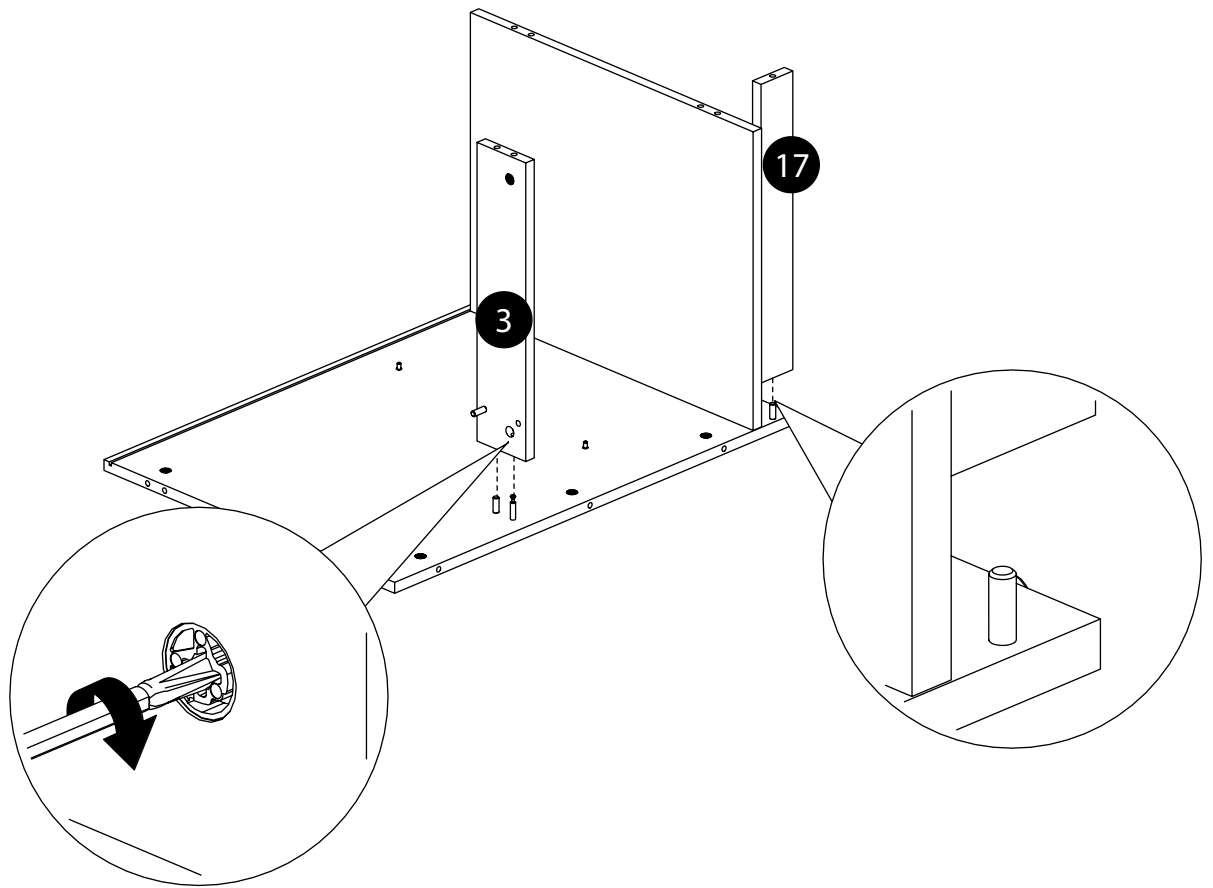
17.



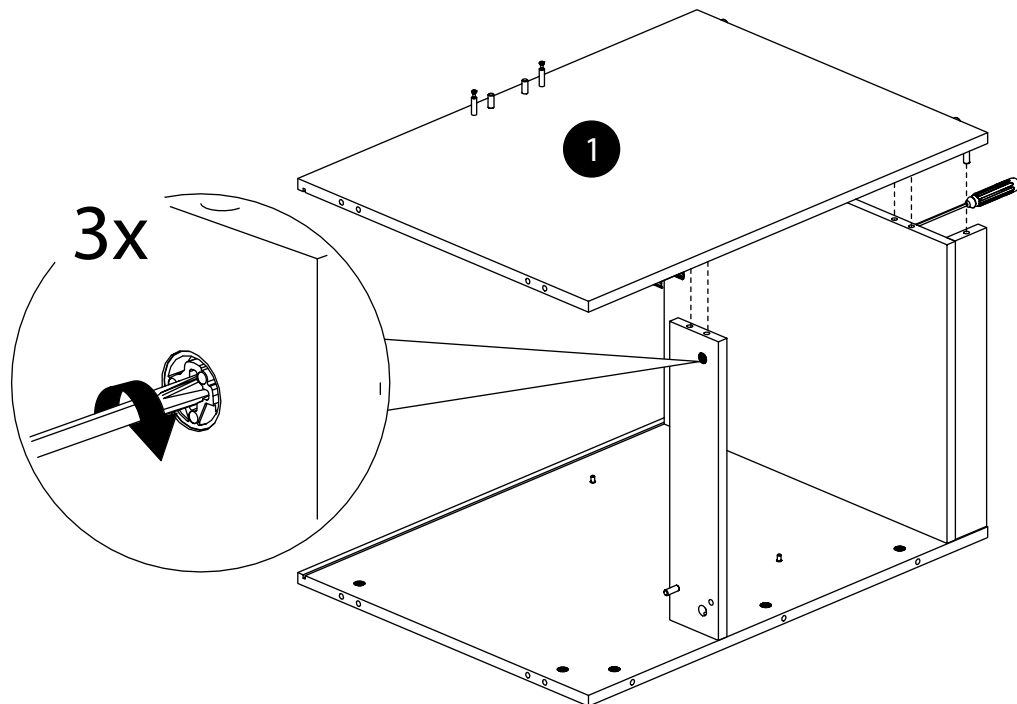
18.



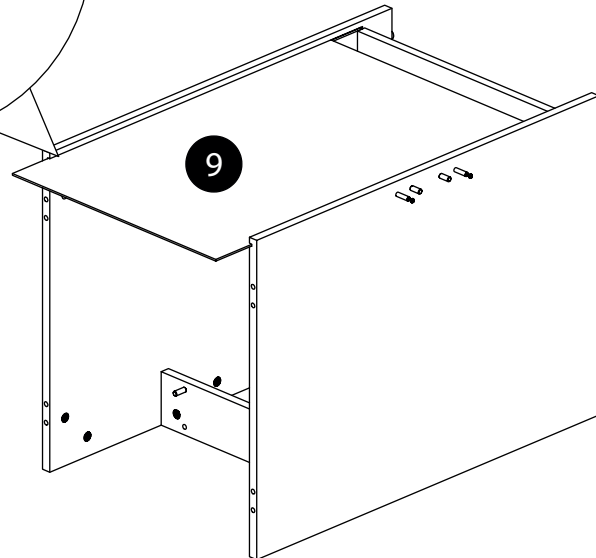
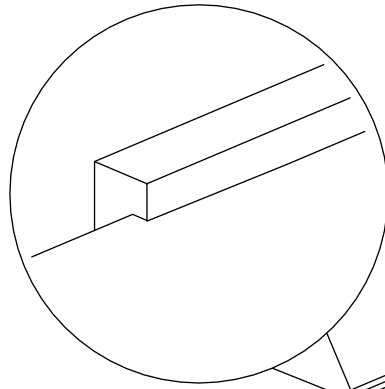
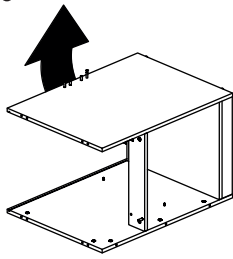
19.



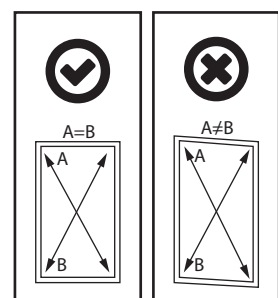
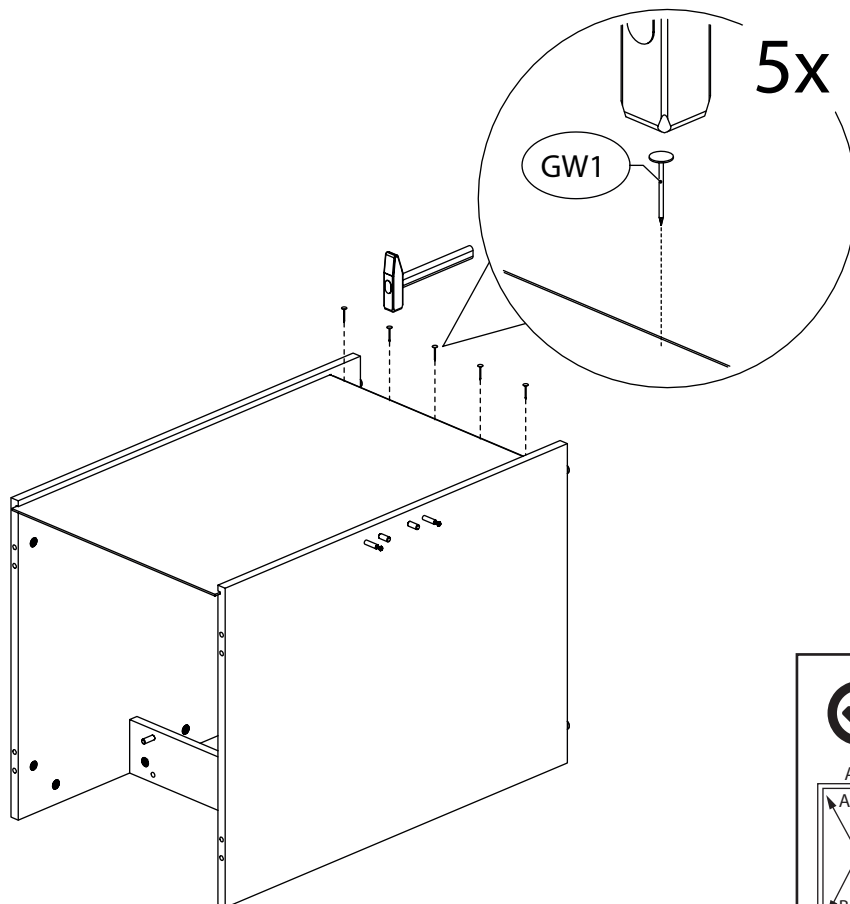
20.



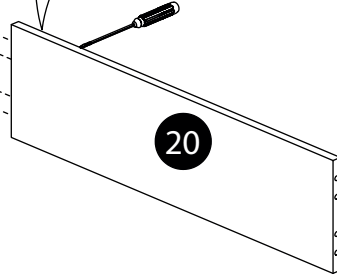
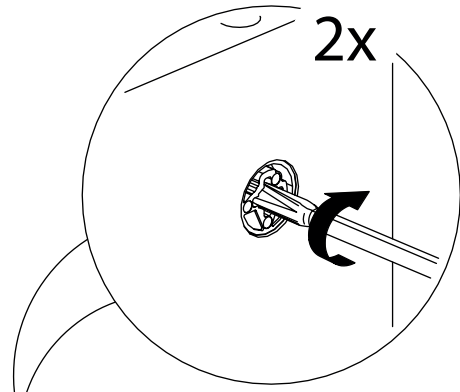
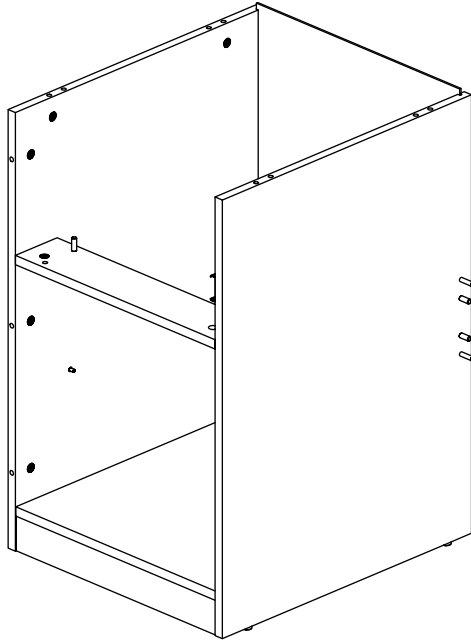
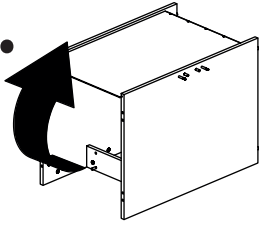
# 21.



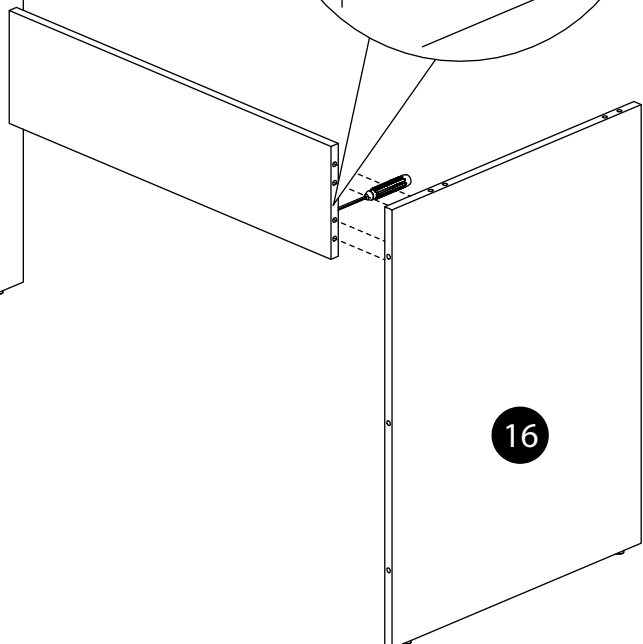
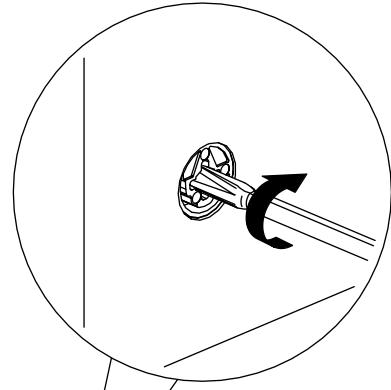
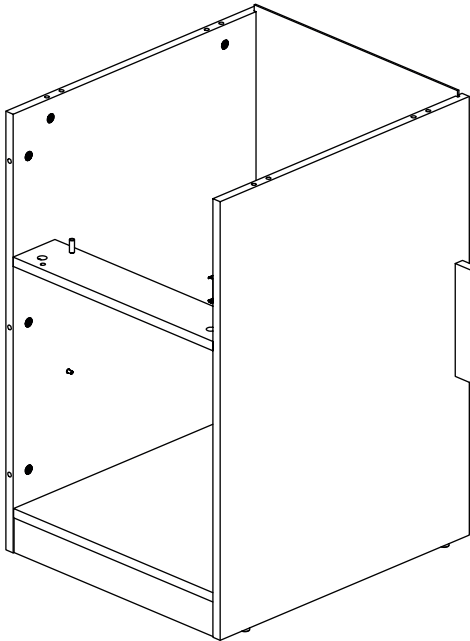
# 22.



23.

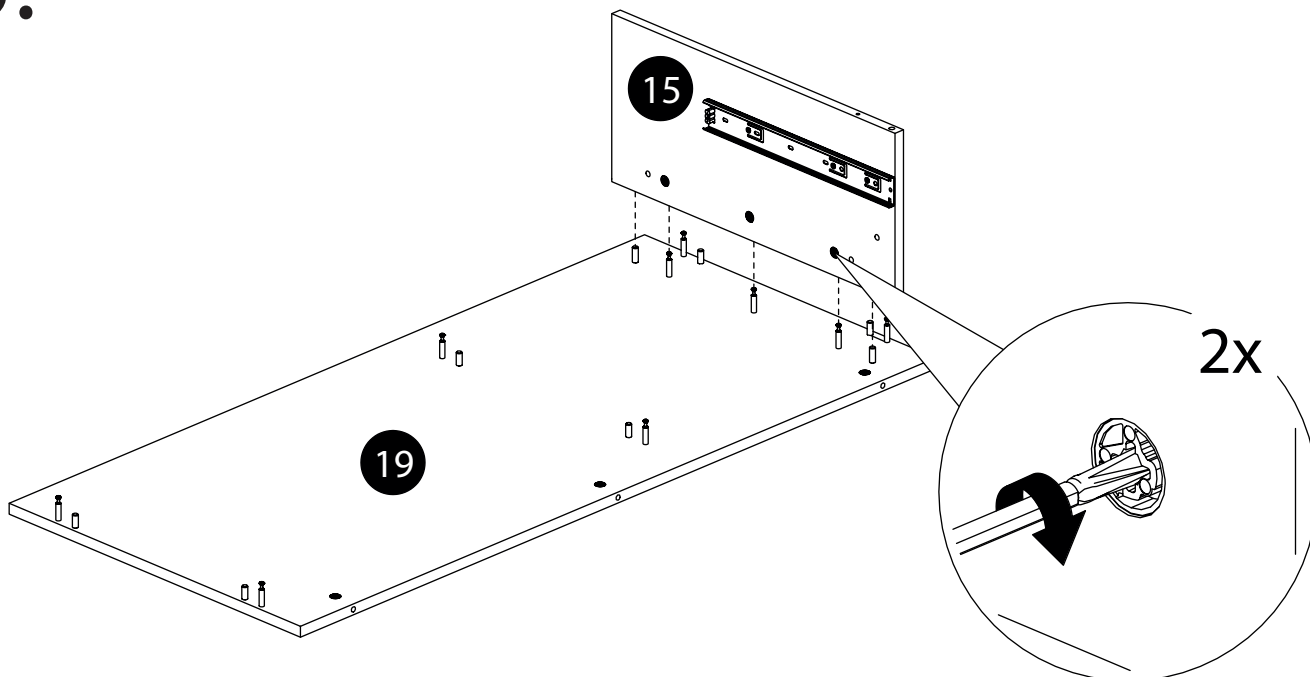


24.

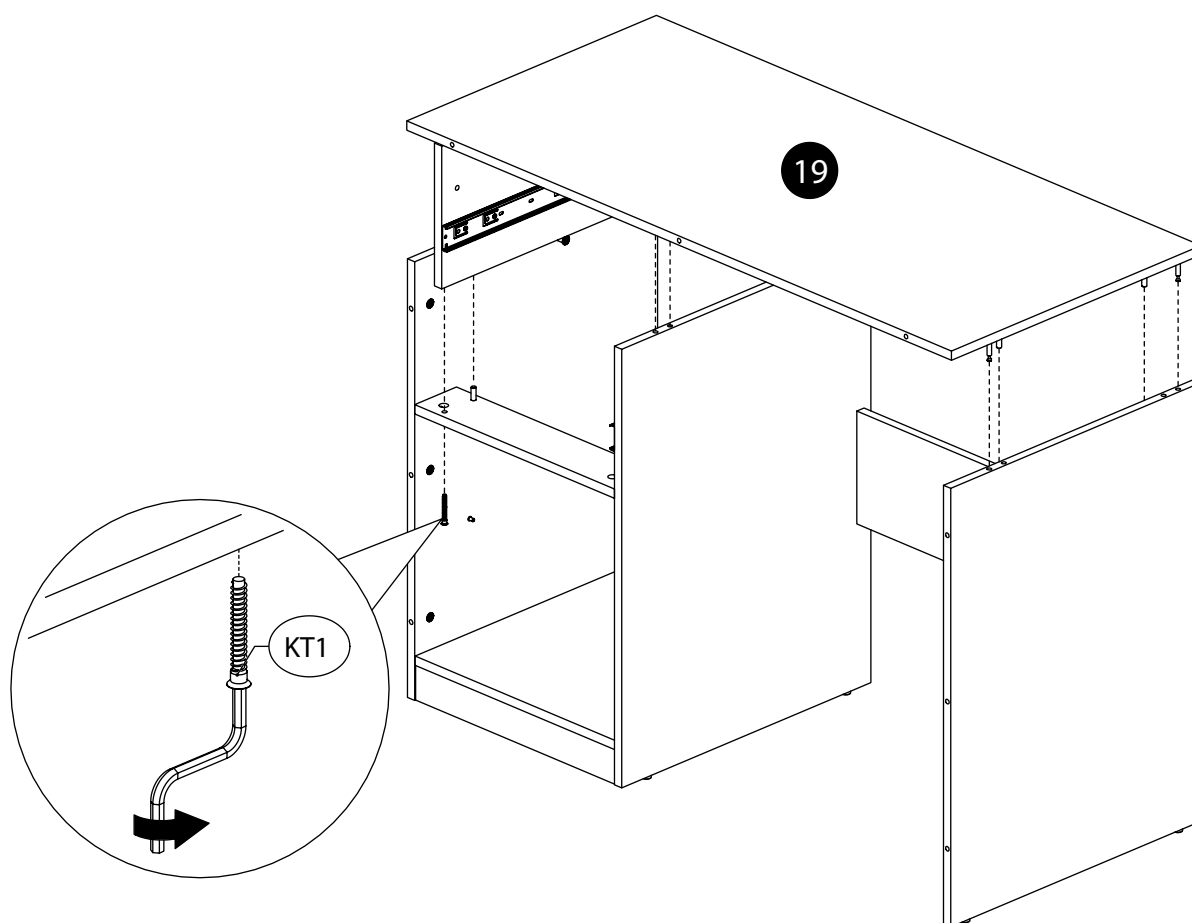




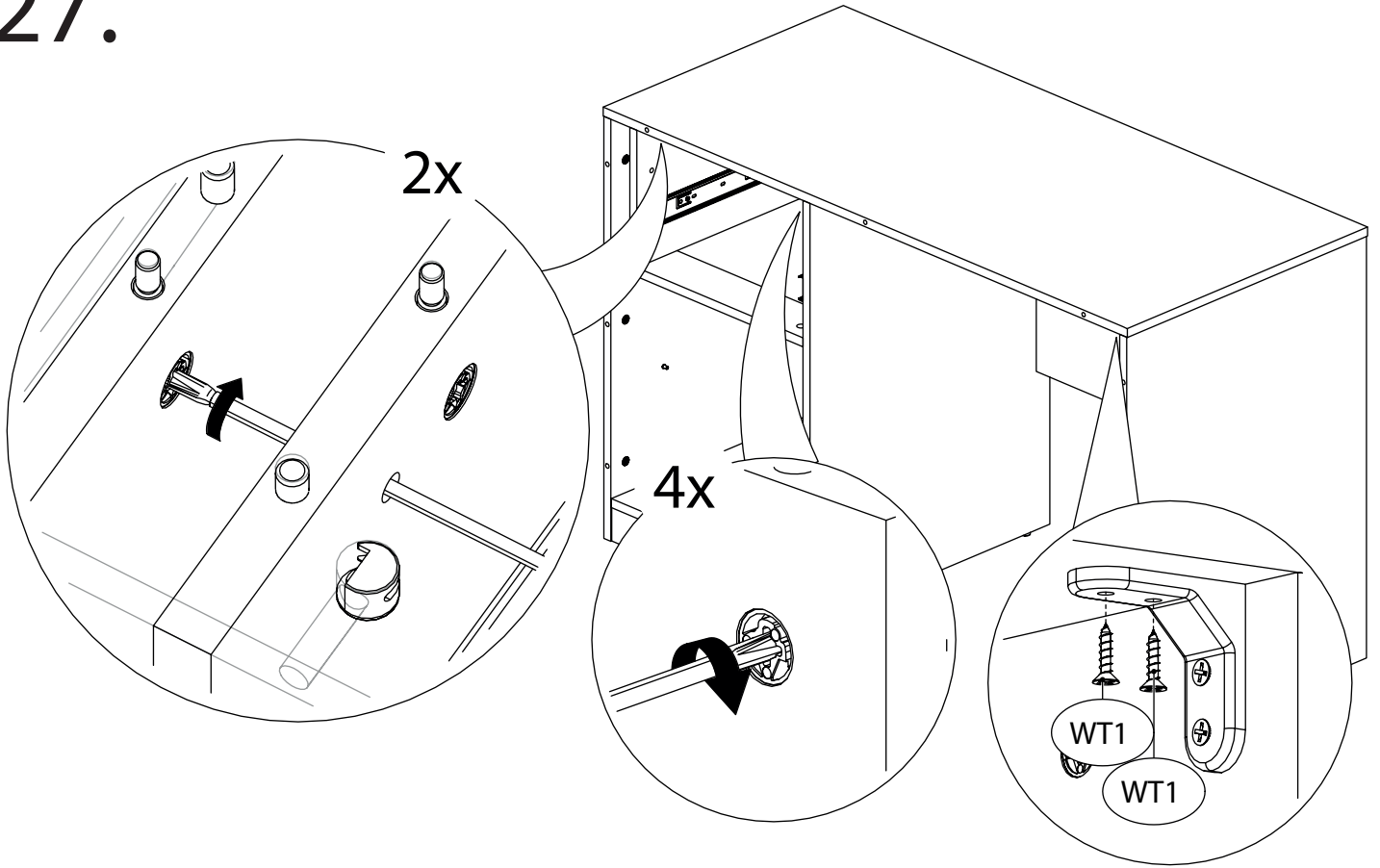
25.



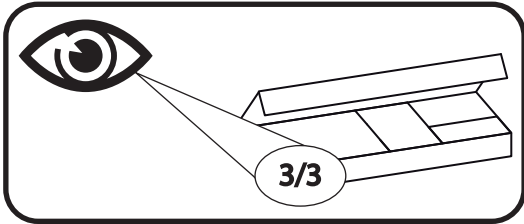
26.



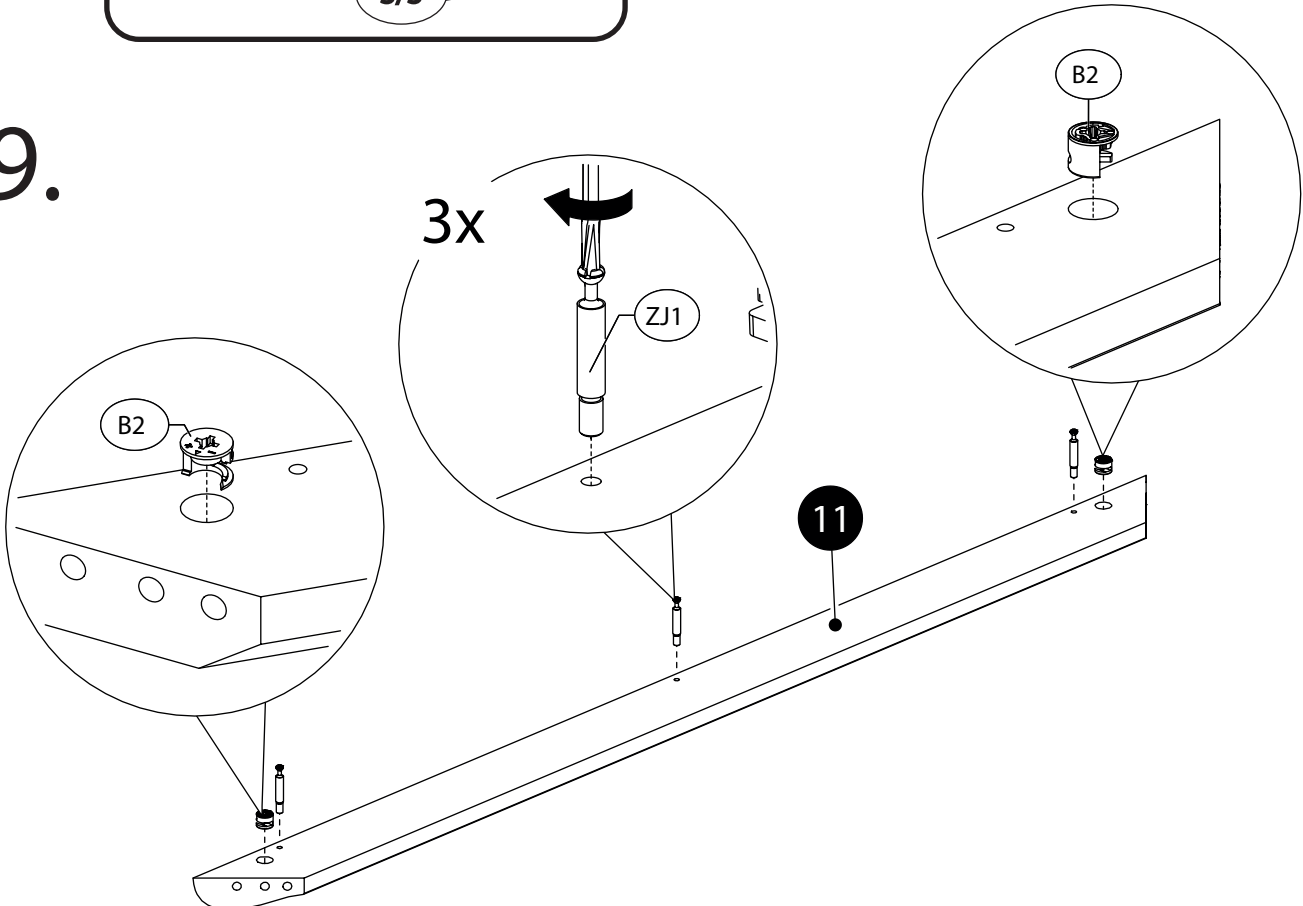
27.



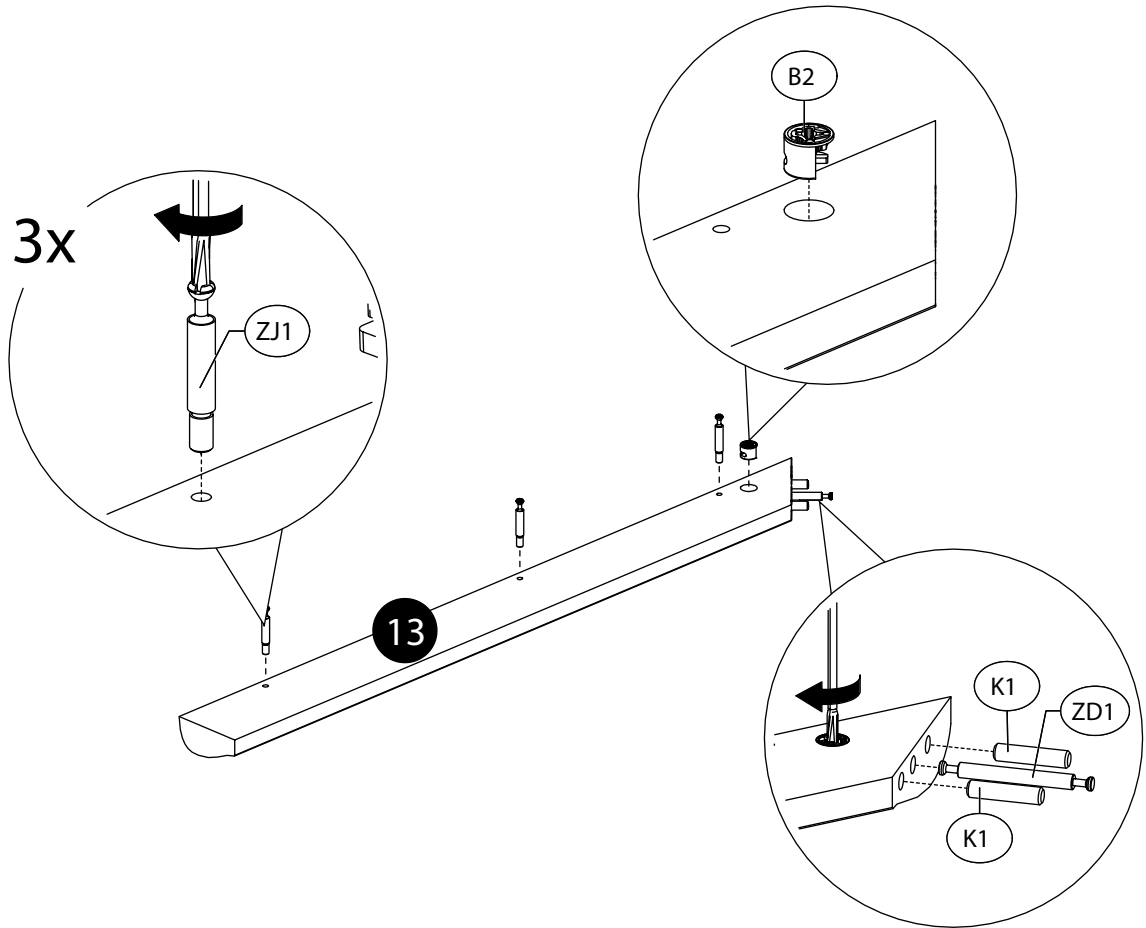
28.



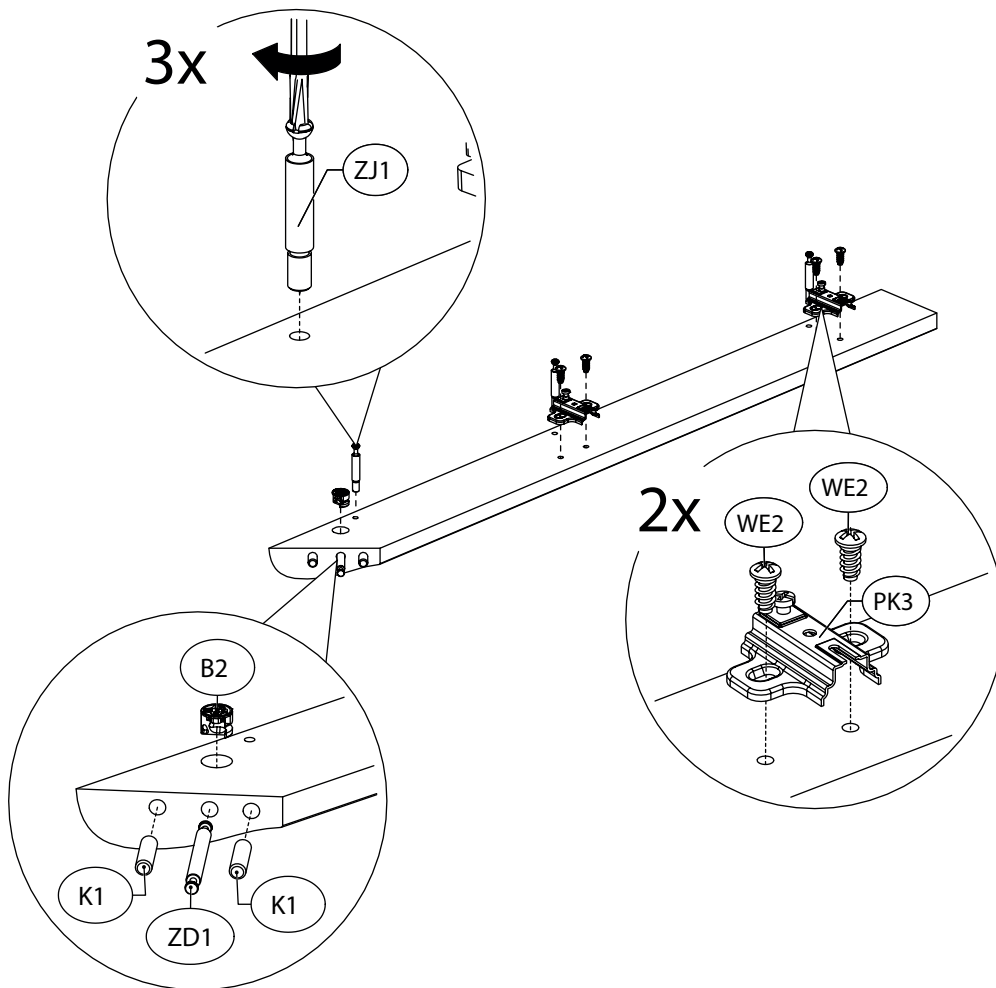
29.



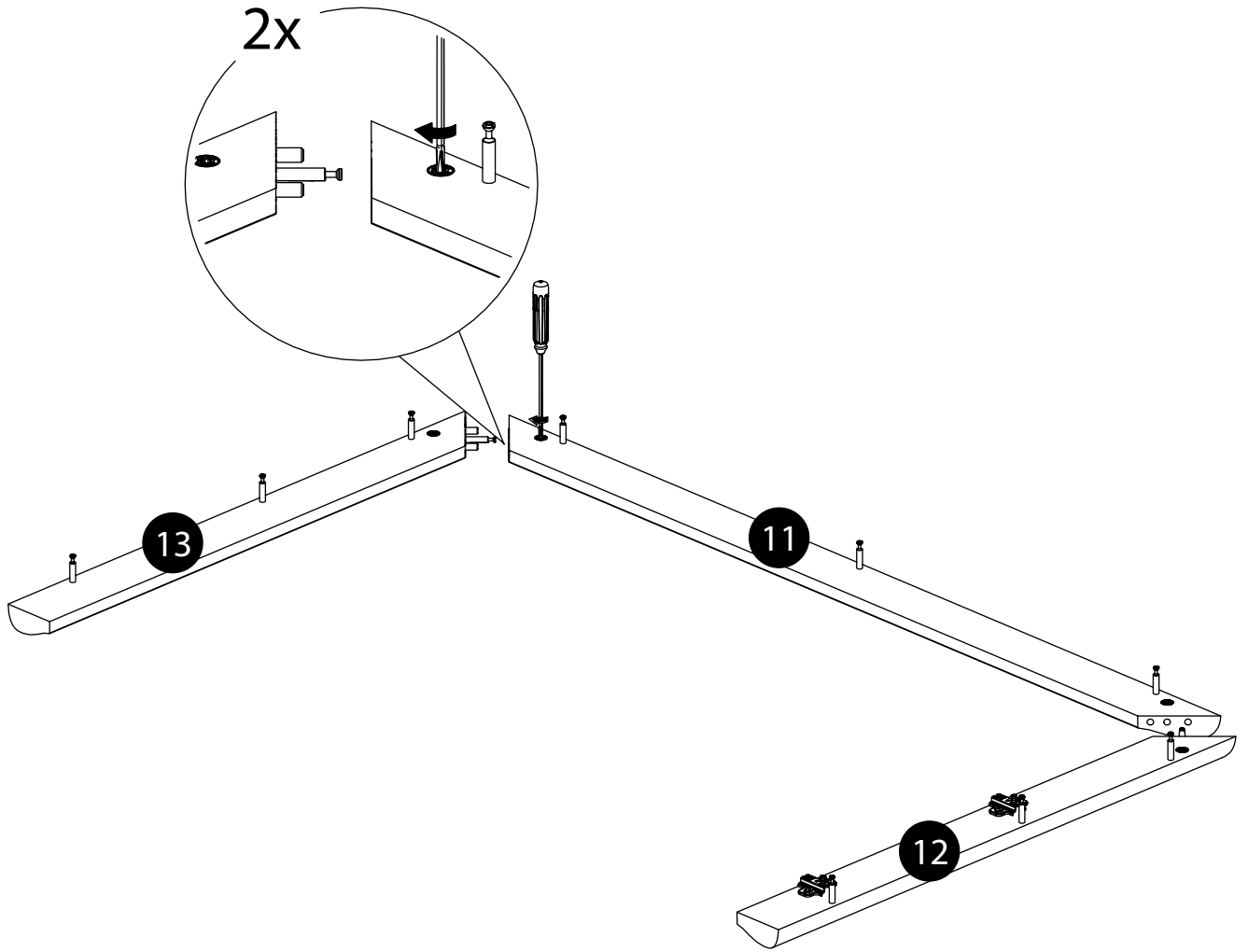
30.



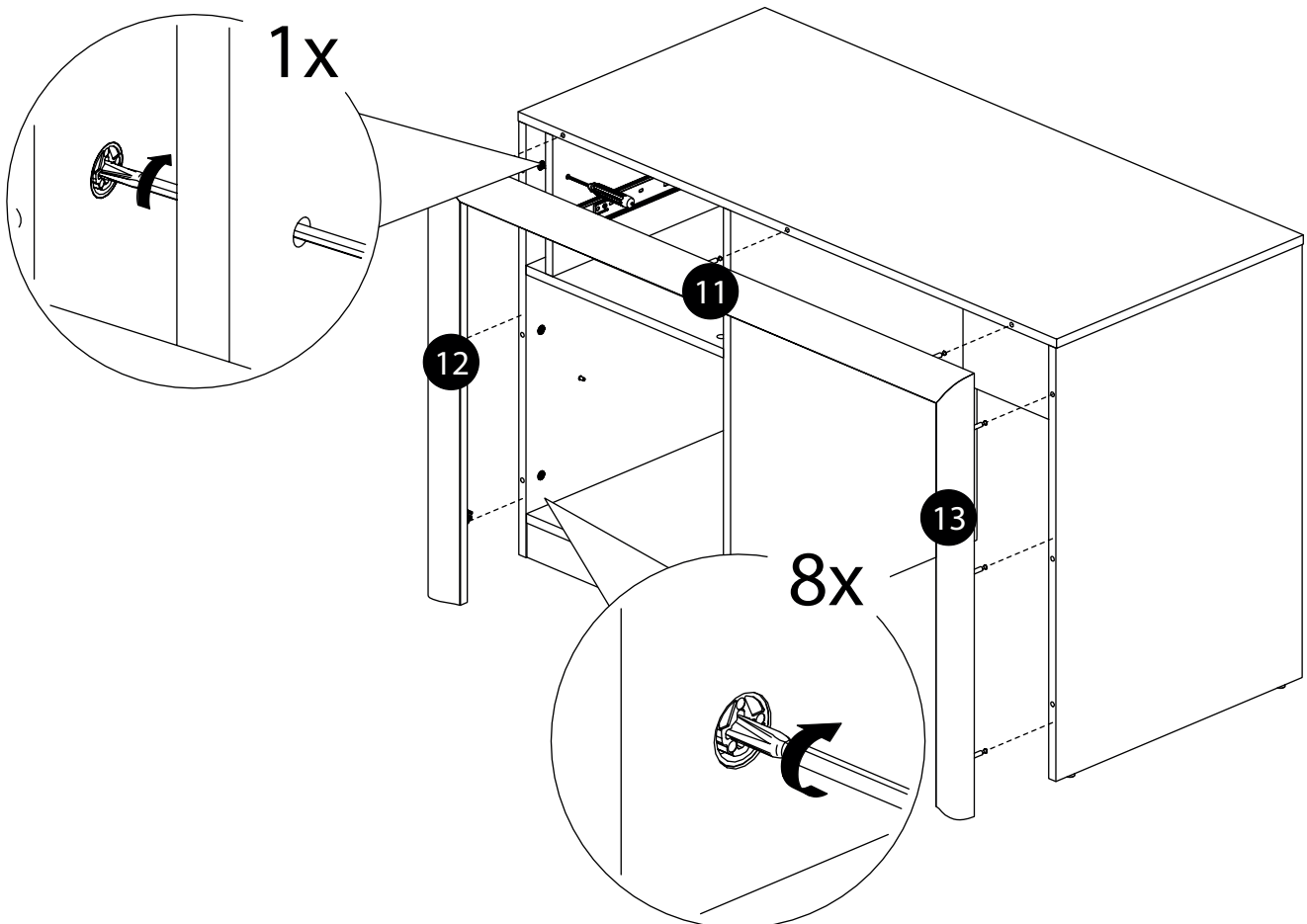
31.



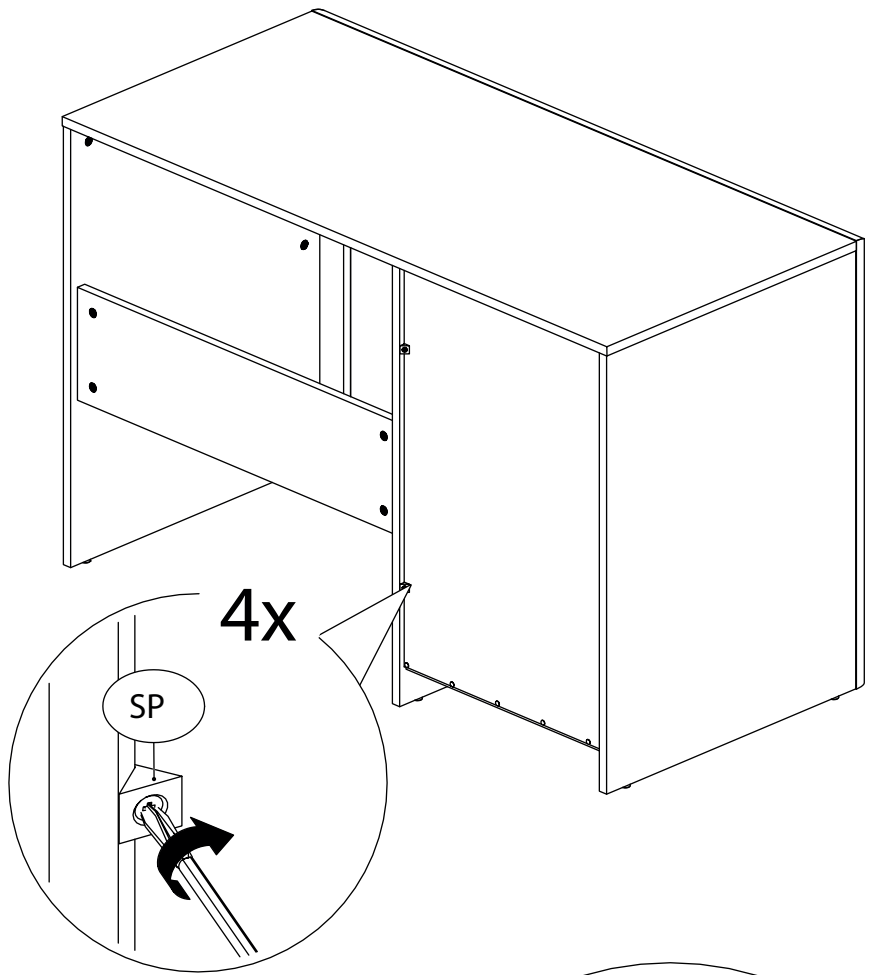
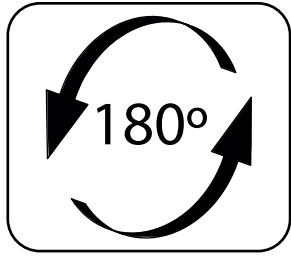
32.



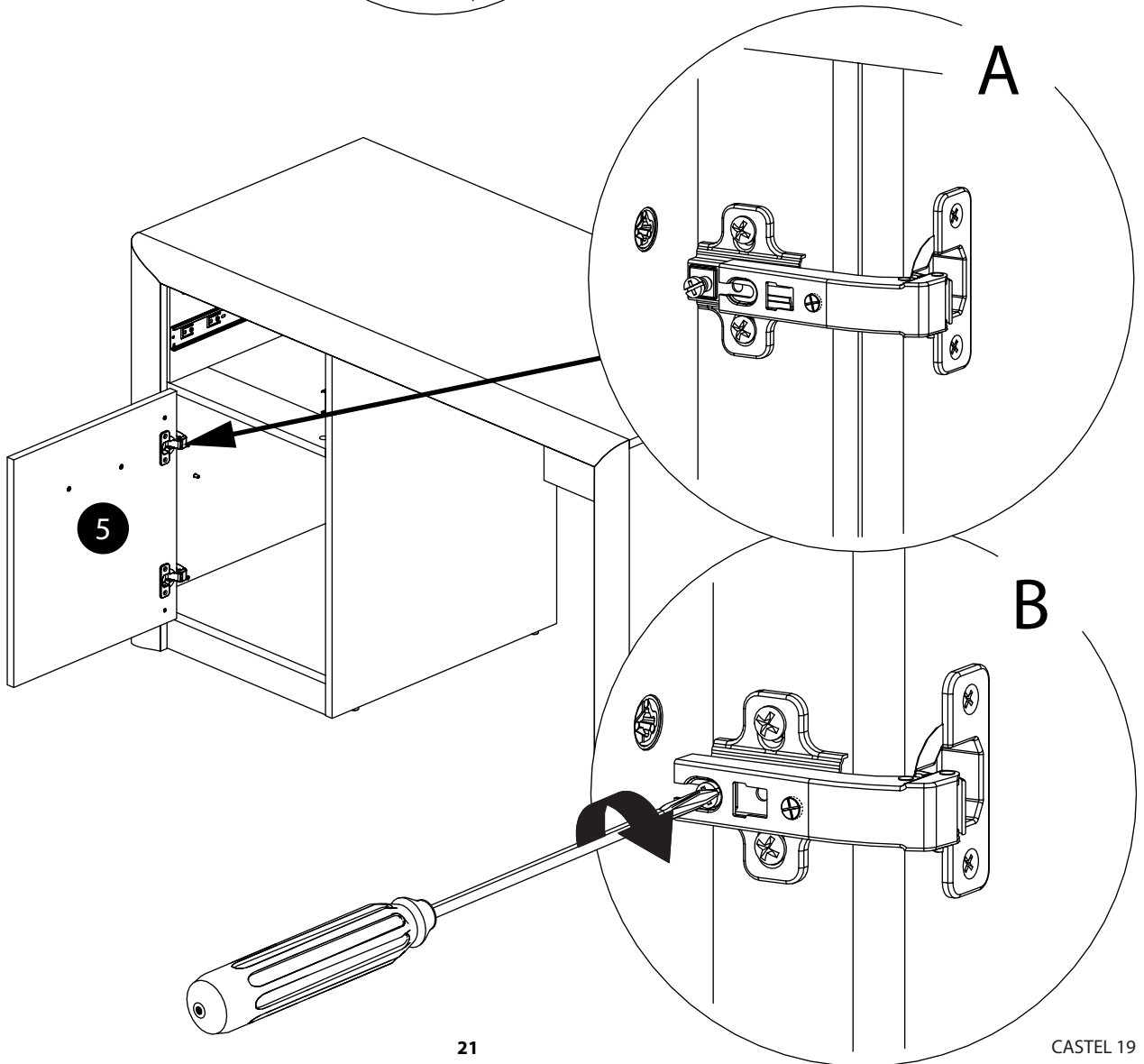
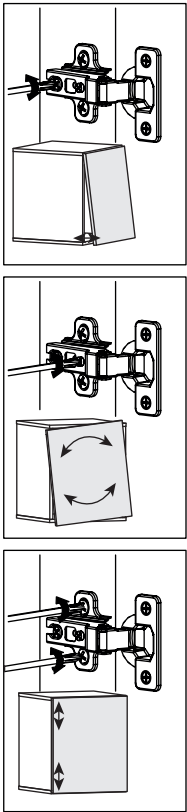
33.



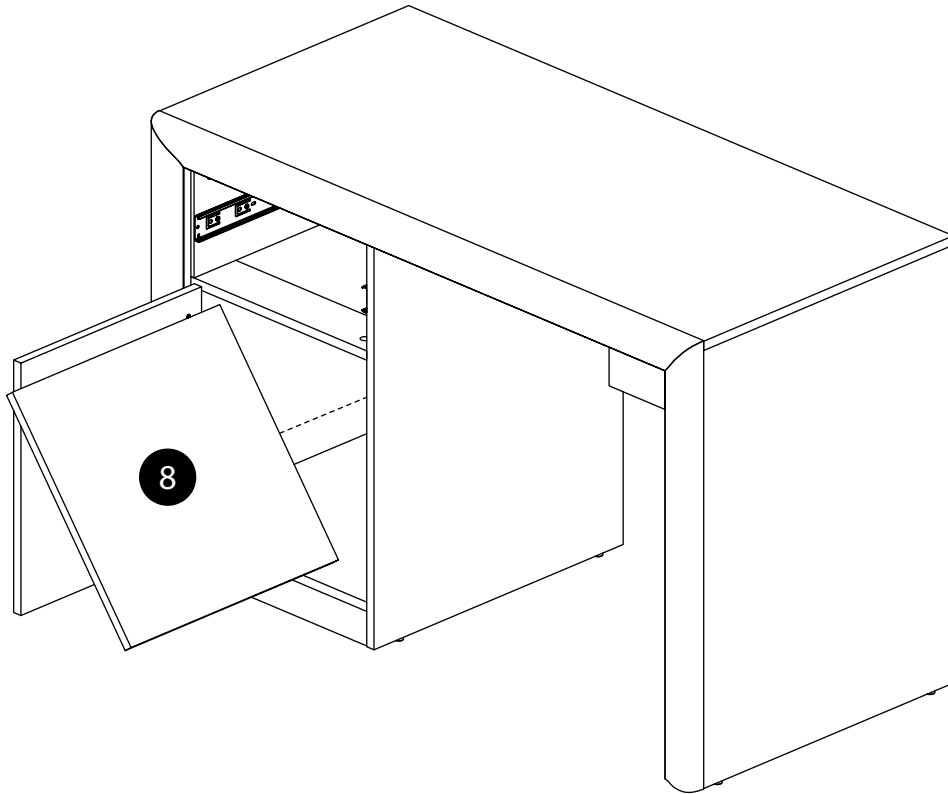
34.



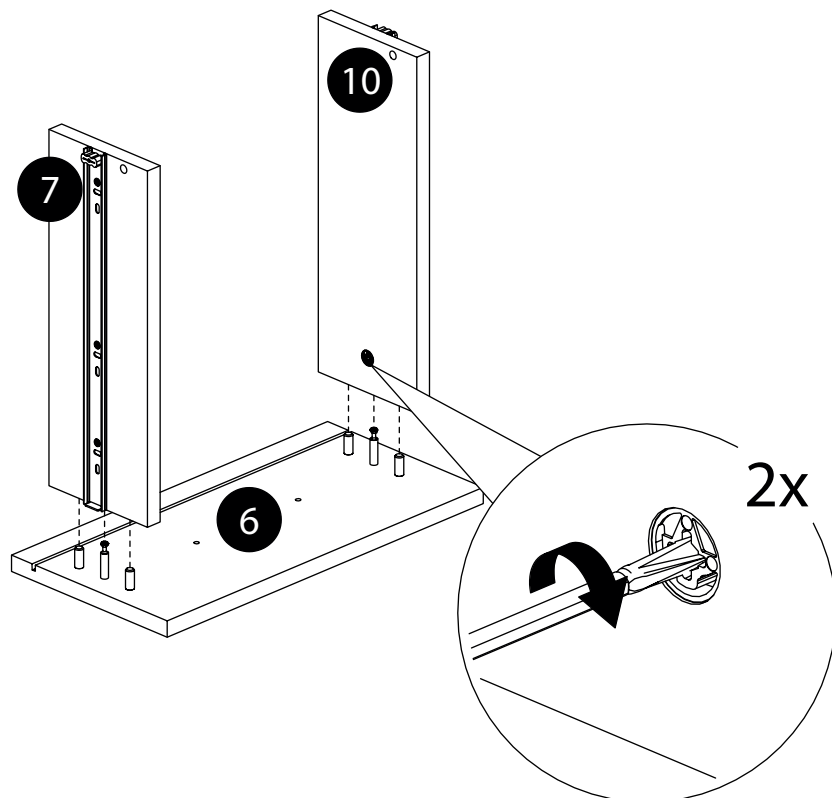
35.



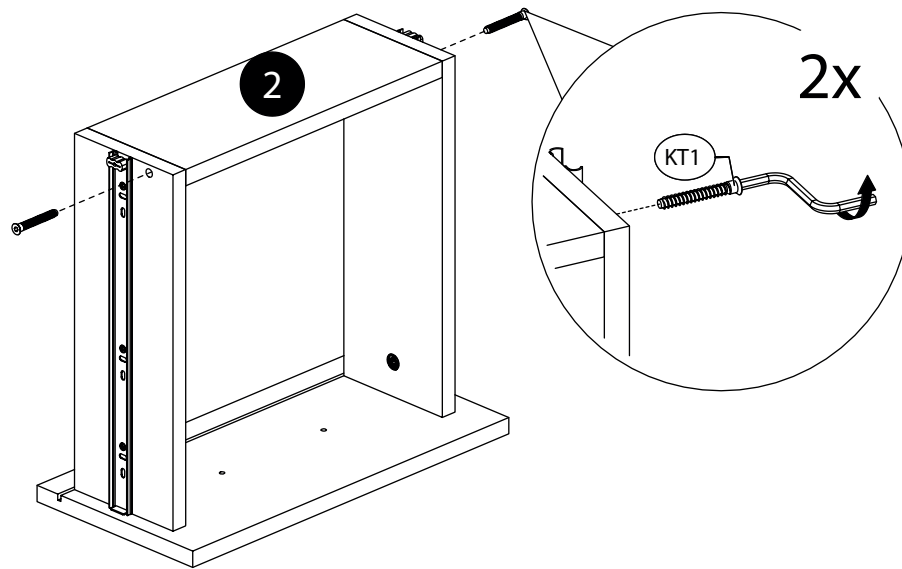
36.



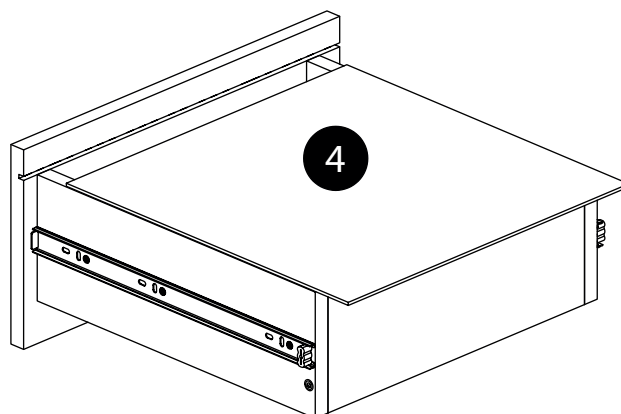
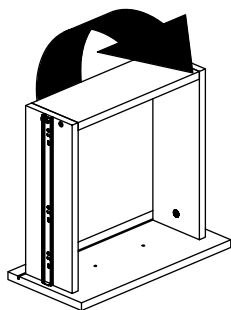
37.



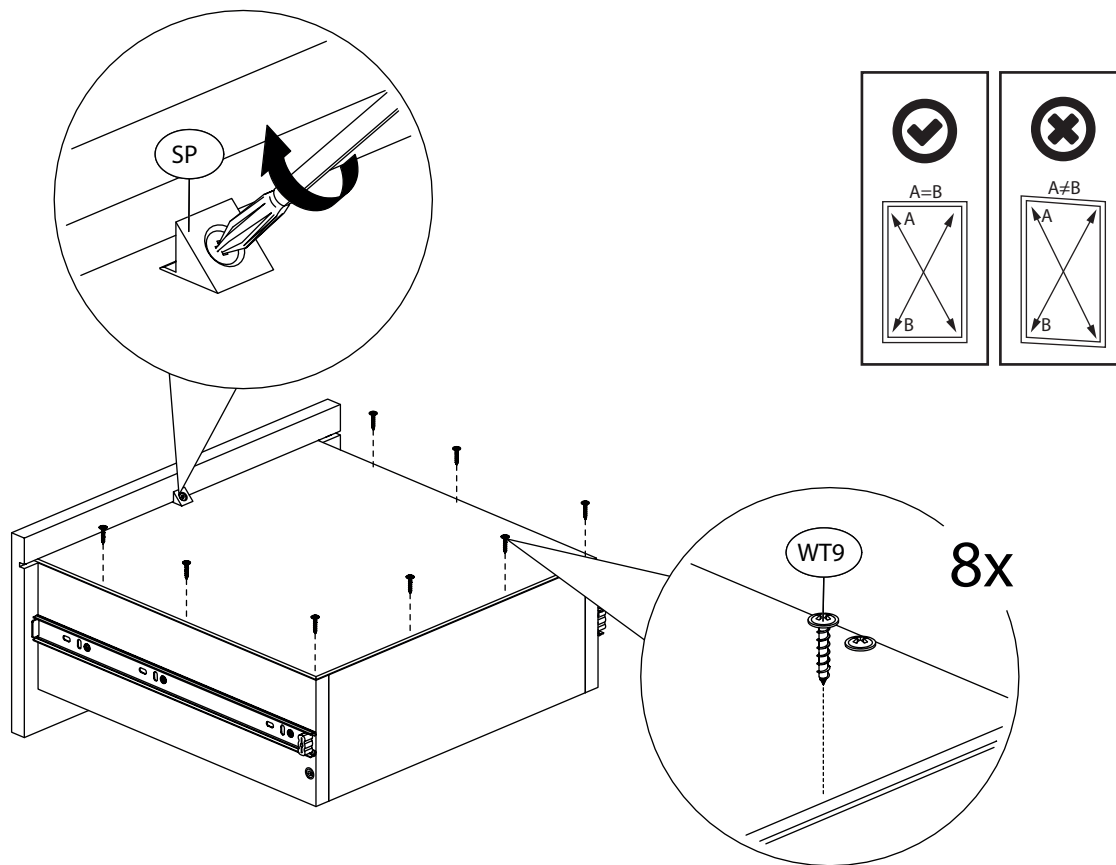
38.



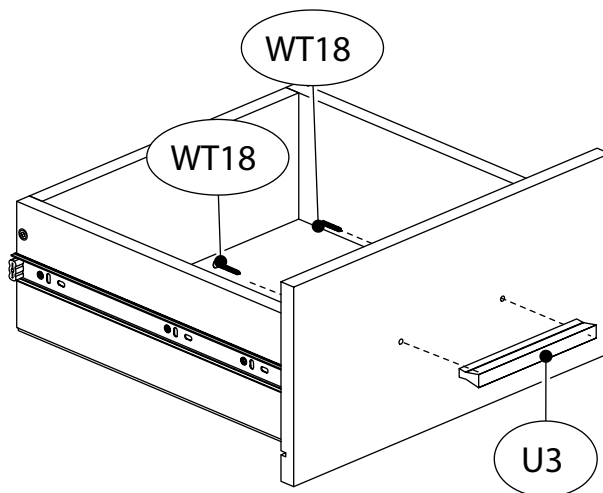
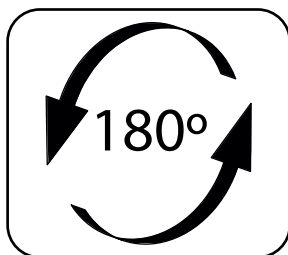
39.



40.

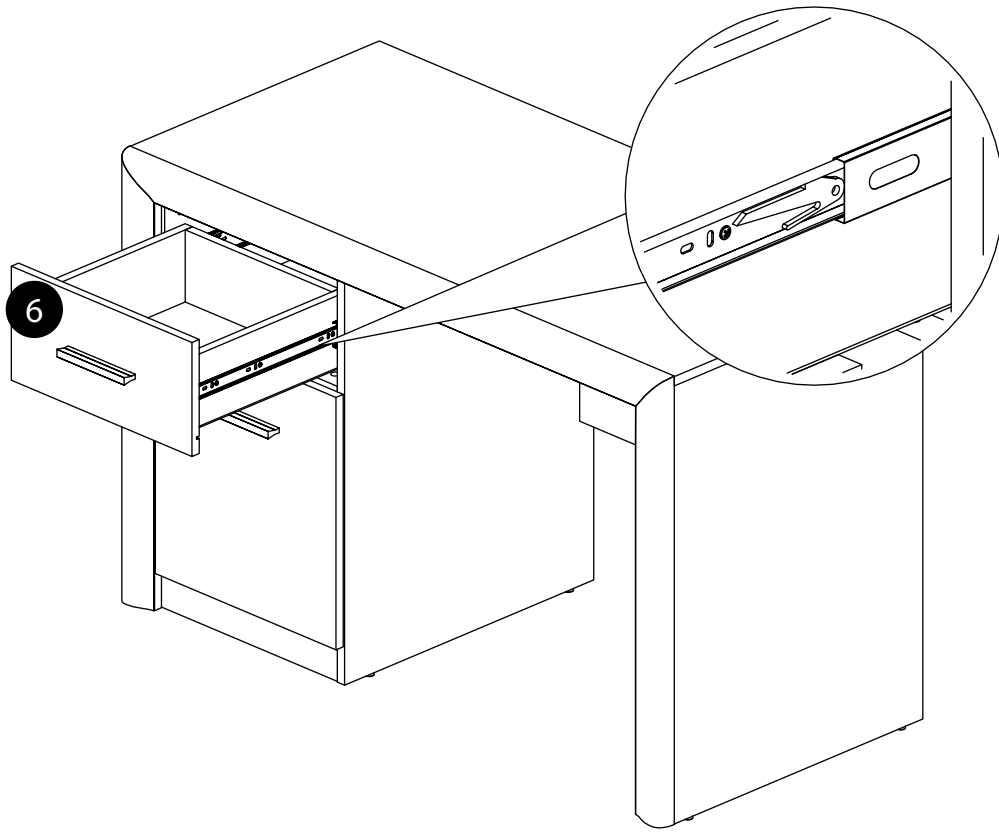


41.





42.



43.

