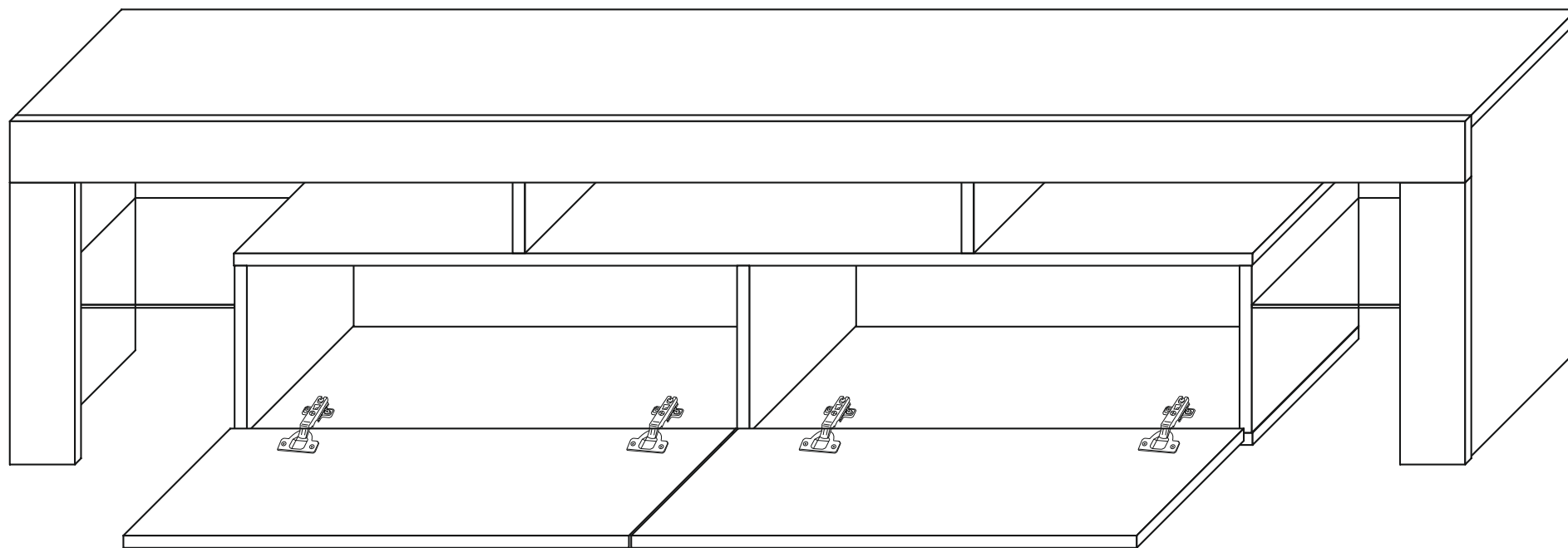


RTV TORO II 200 CABINET

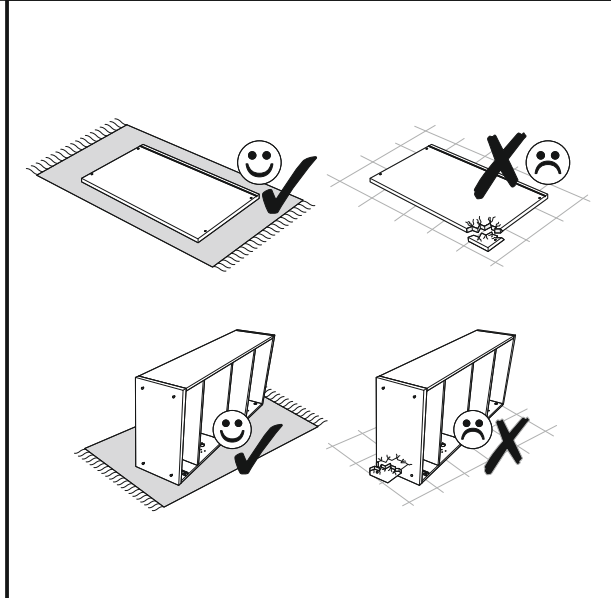
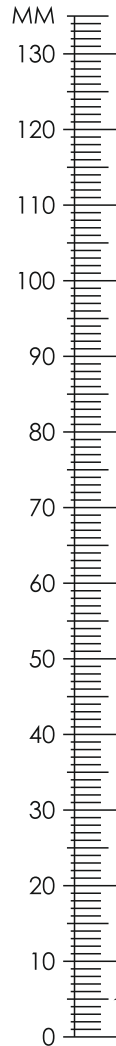
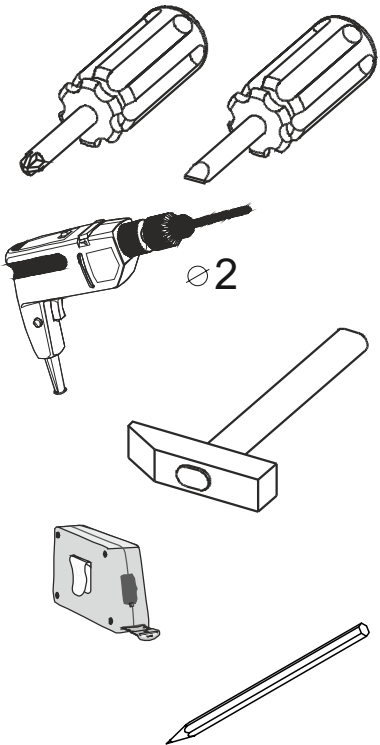
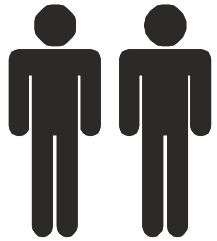
S



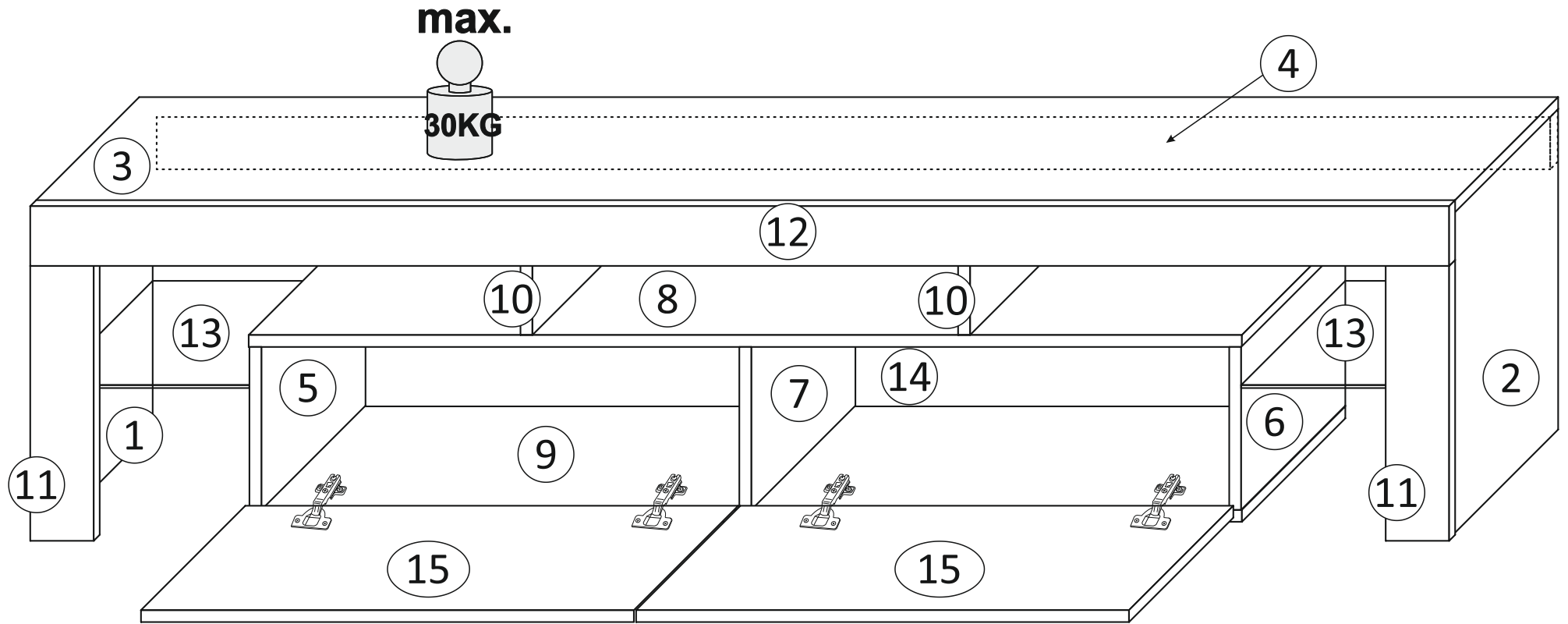
ASSEMBLY INSTRUCTIONS

Model: **TORO II**
200



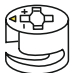







Use the following for assembly:



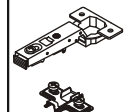

Care notes!
Please wipe with dust cloth or slightly damp rubber.
Do not use scrubbing or cleaning agents on cabinet.




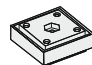
Bag 1

K2  x24	T1  x25	M1  x25	S9  x4	W1  x8	S10  x4	S10  3x18 x4	Z2  x10	K11  x12	K7  x1
---	---	---	--	--	---	--	---	--	--



Bag 2

Z7  x4	S3  4x13 x8
---	--

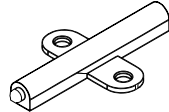

Bag 3

S4  4x30 x10	F1  x5
---	--

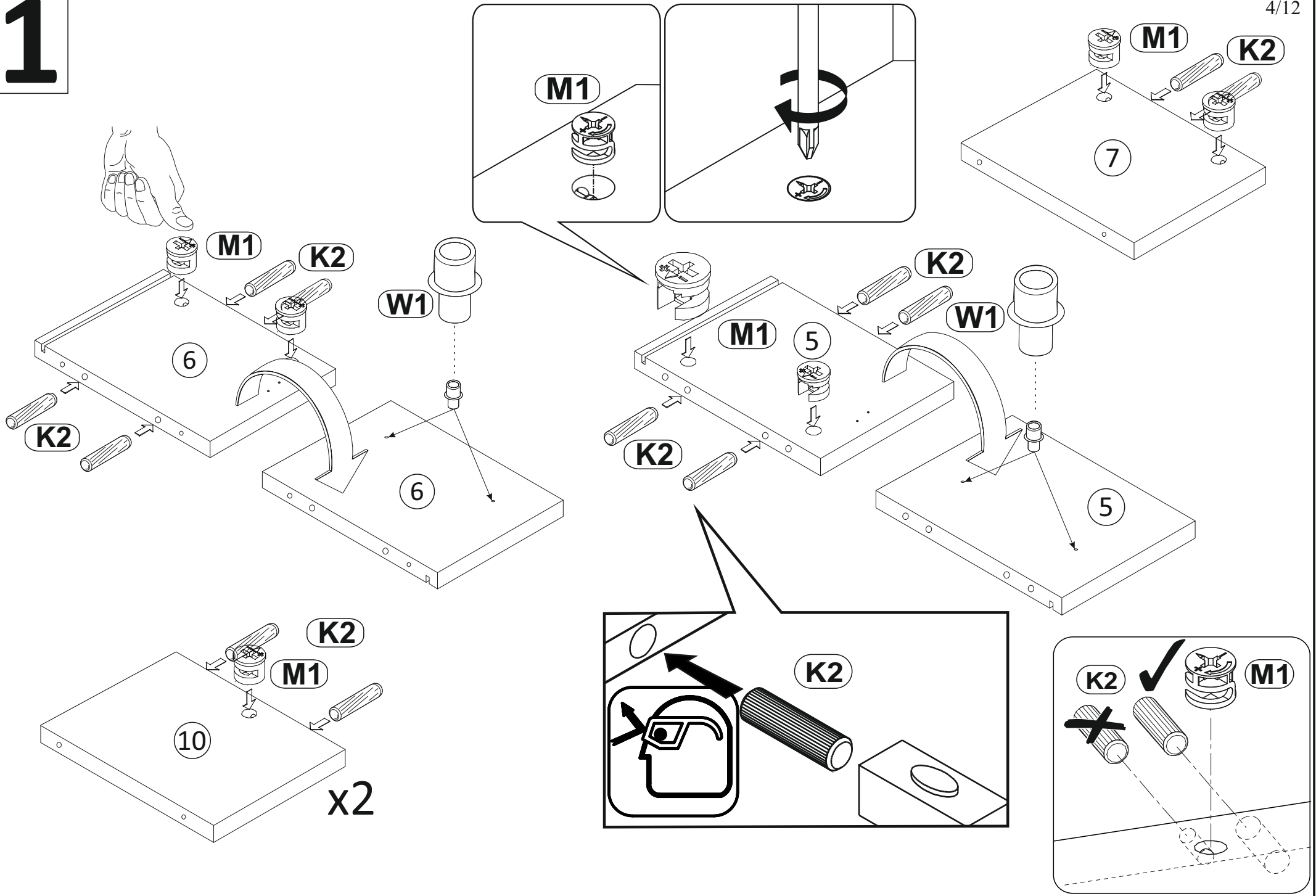
Bag 4

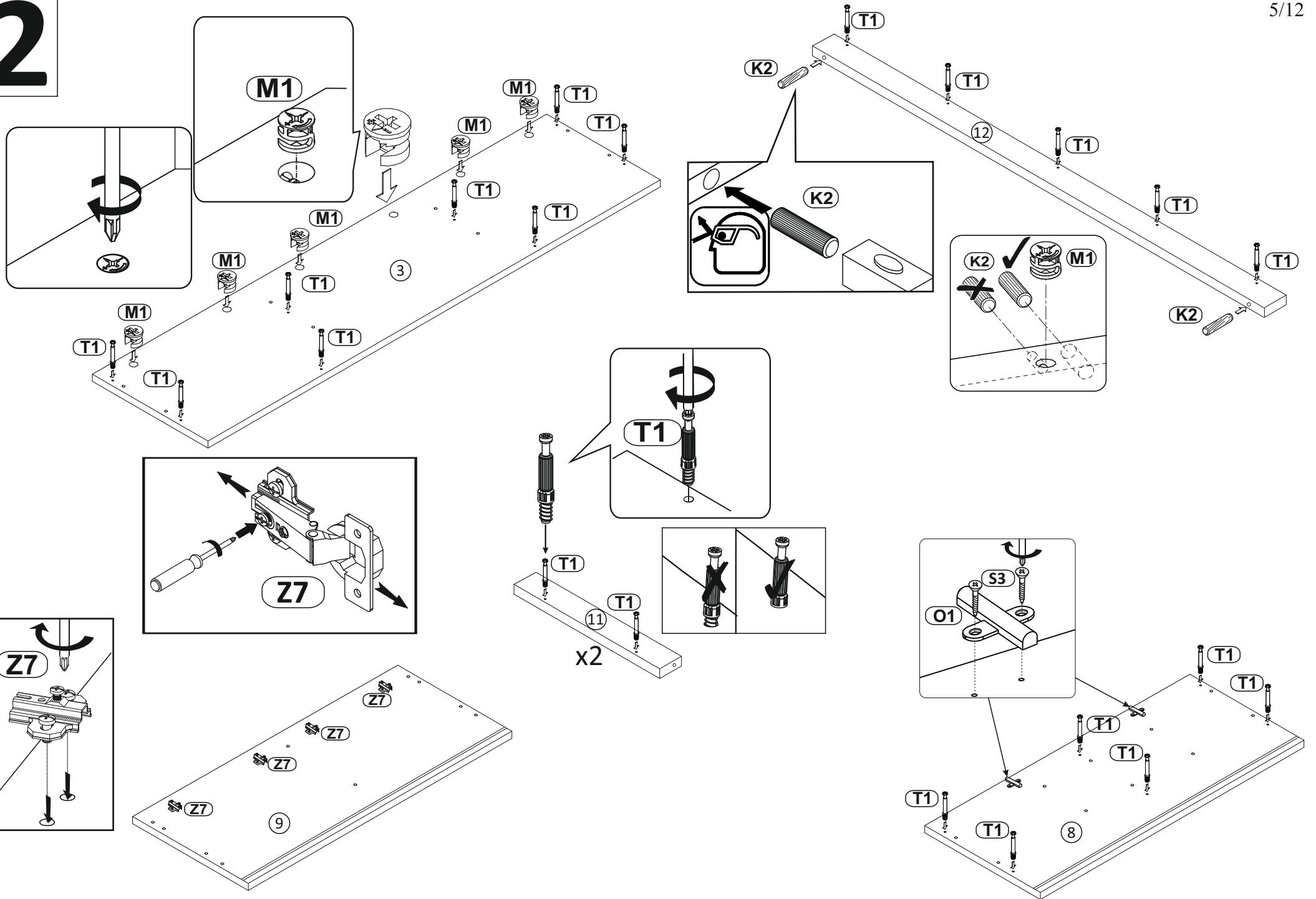
R9  x2	S1  3,5x13 x8
--	--

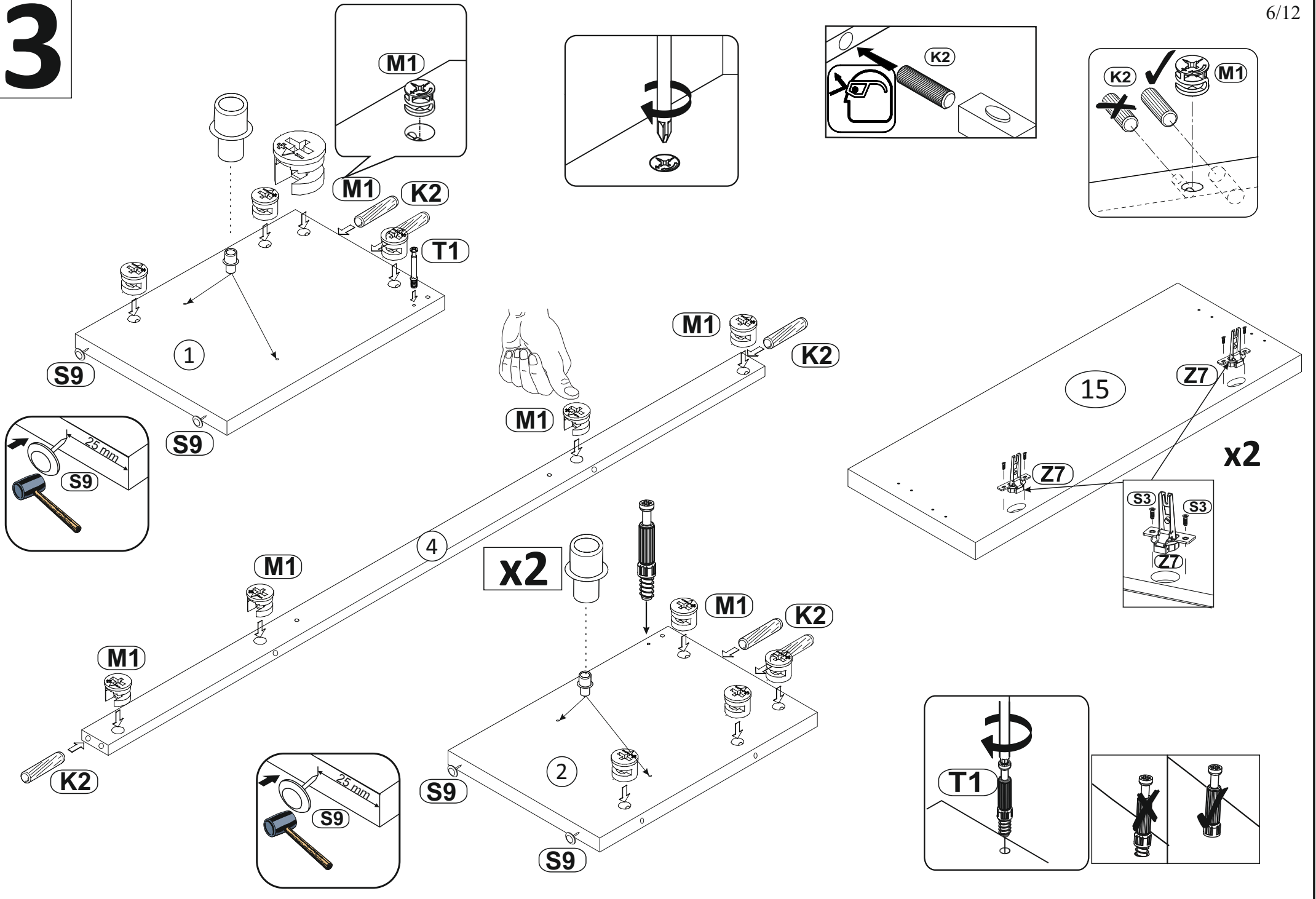
Bag 5

O1  x2	S3  4x13 x4
--	--

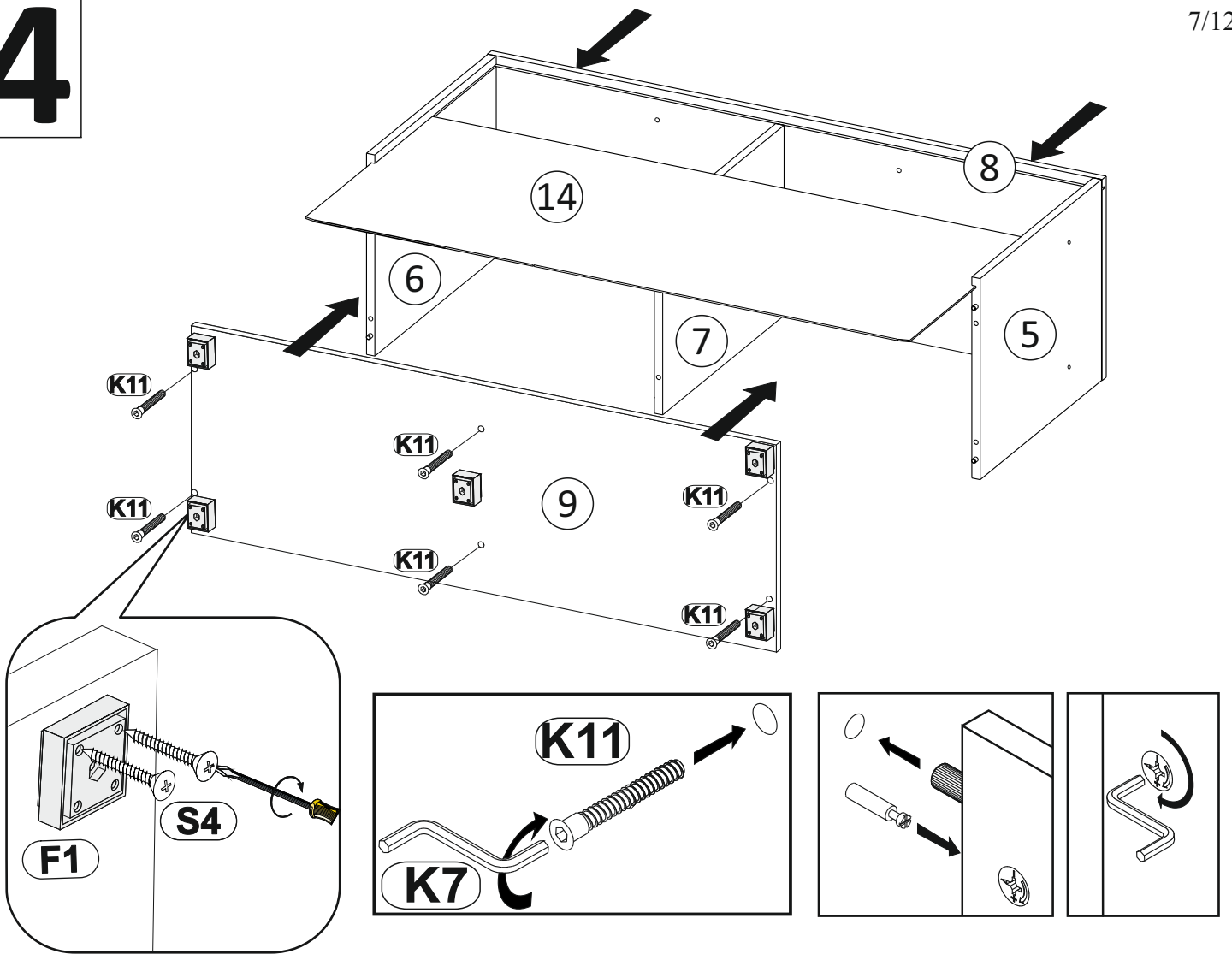
1





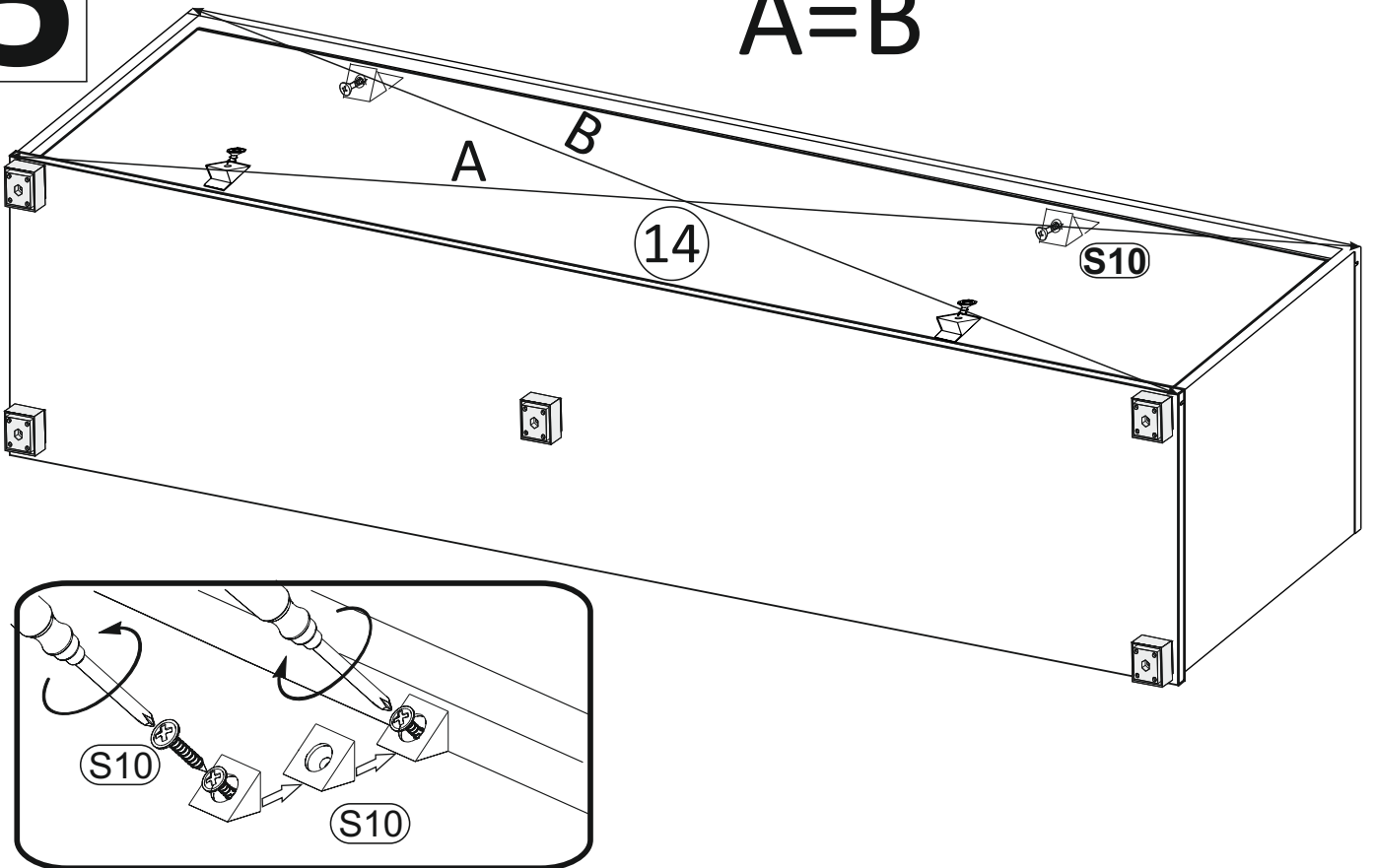


4

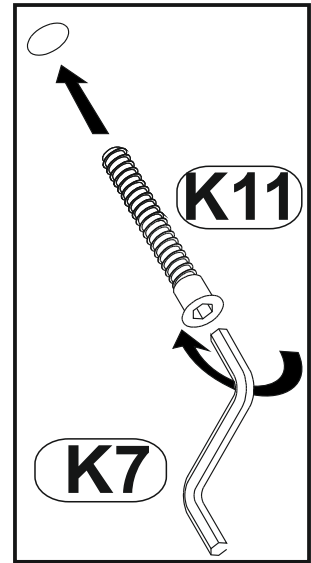
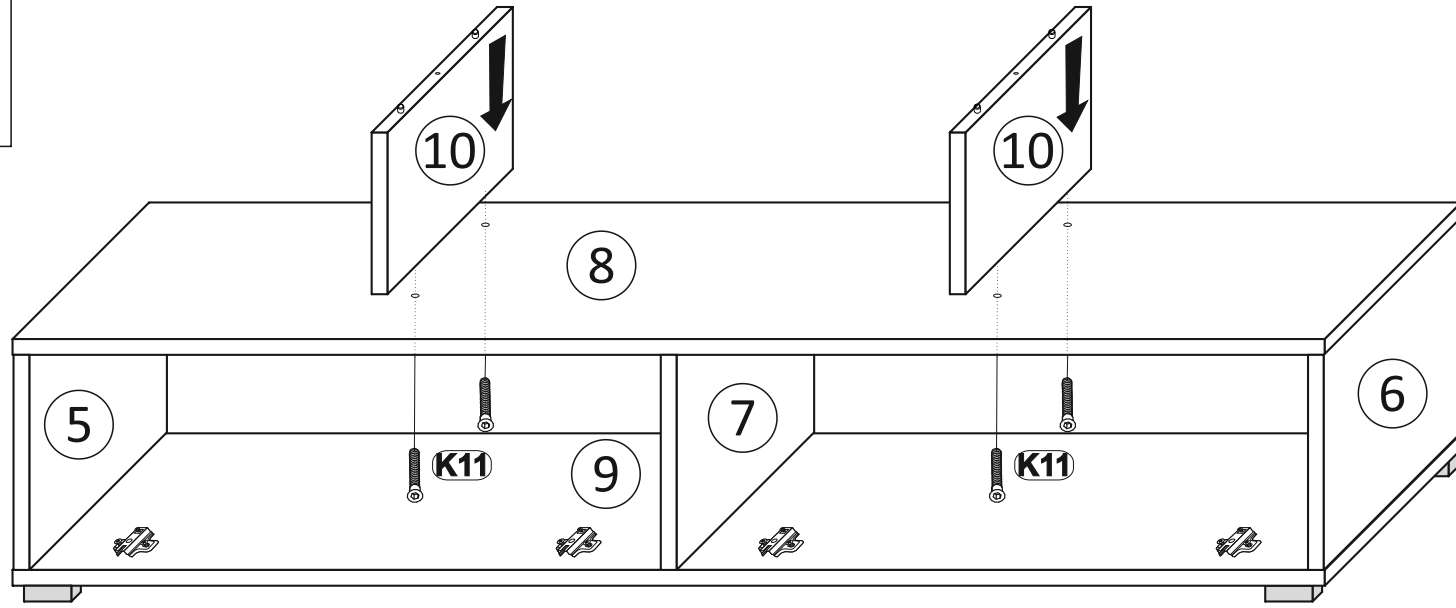


5

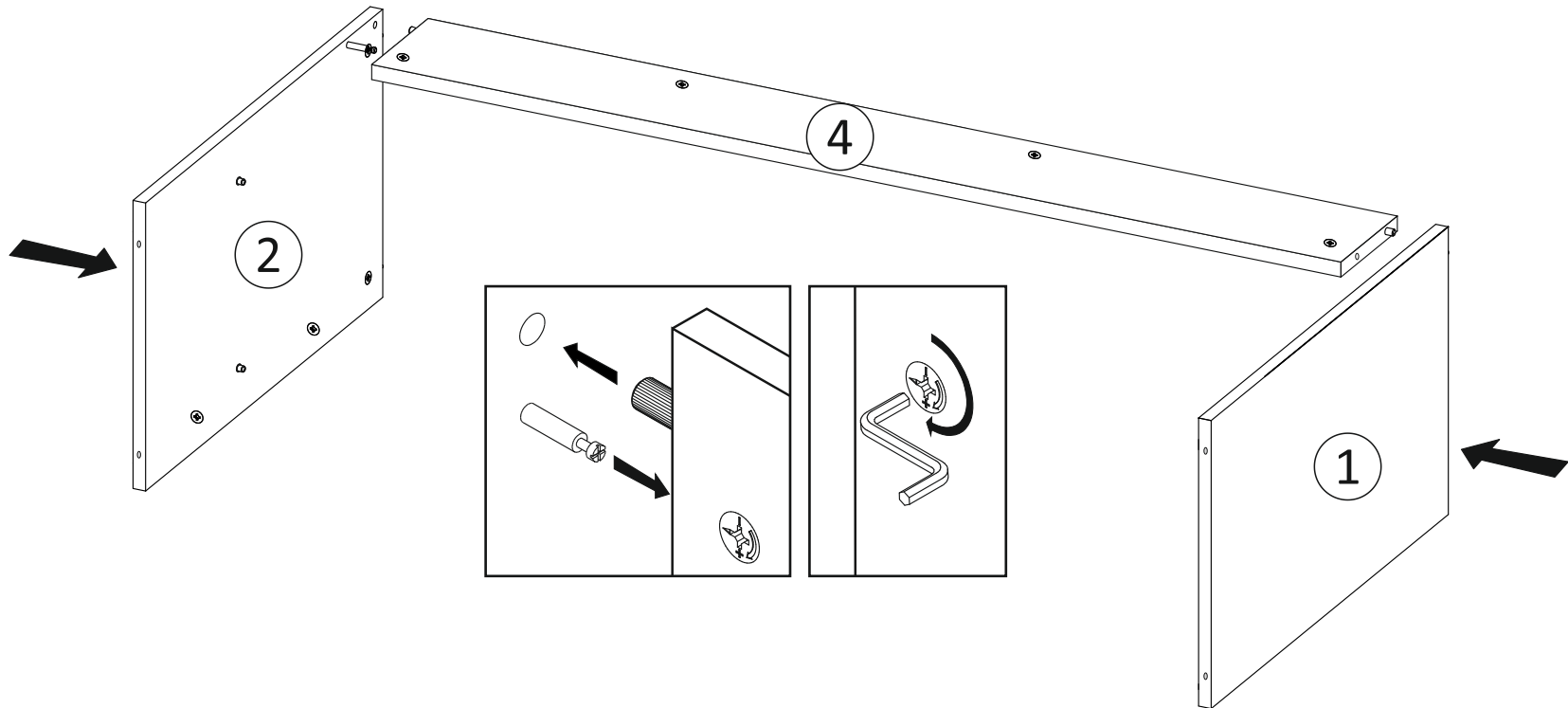
A=B

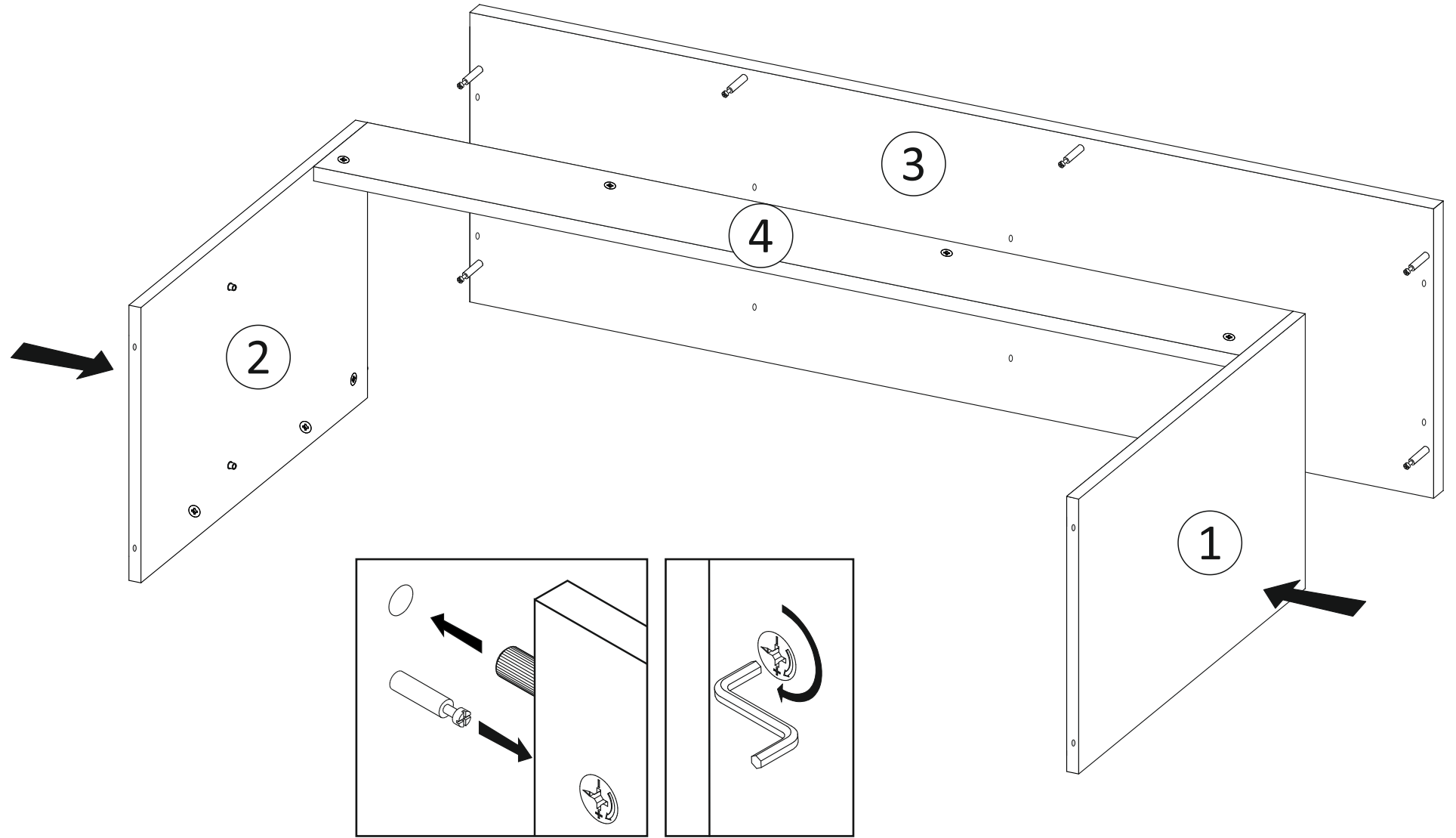


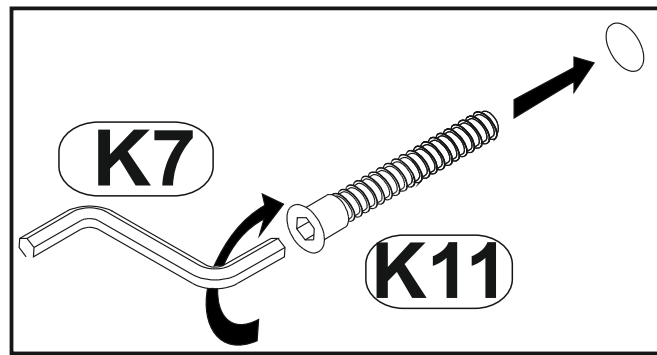
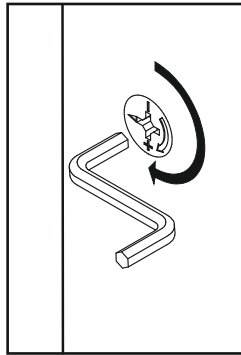
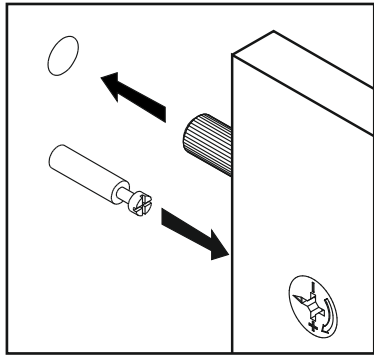
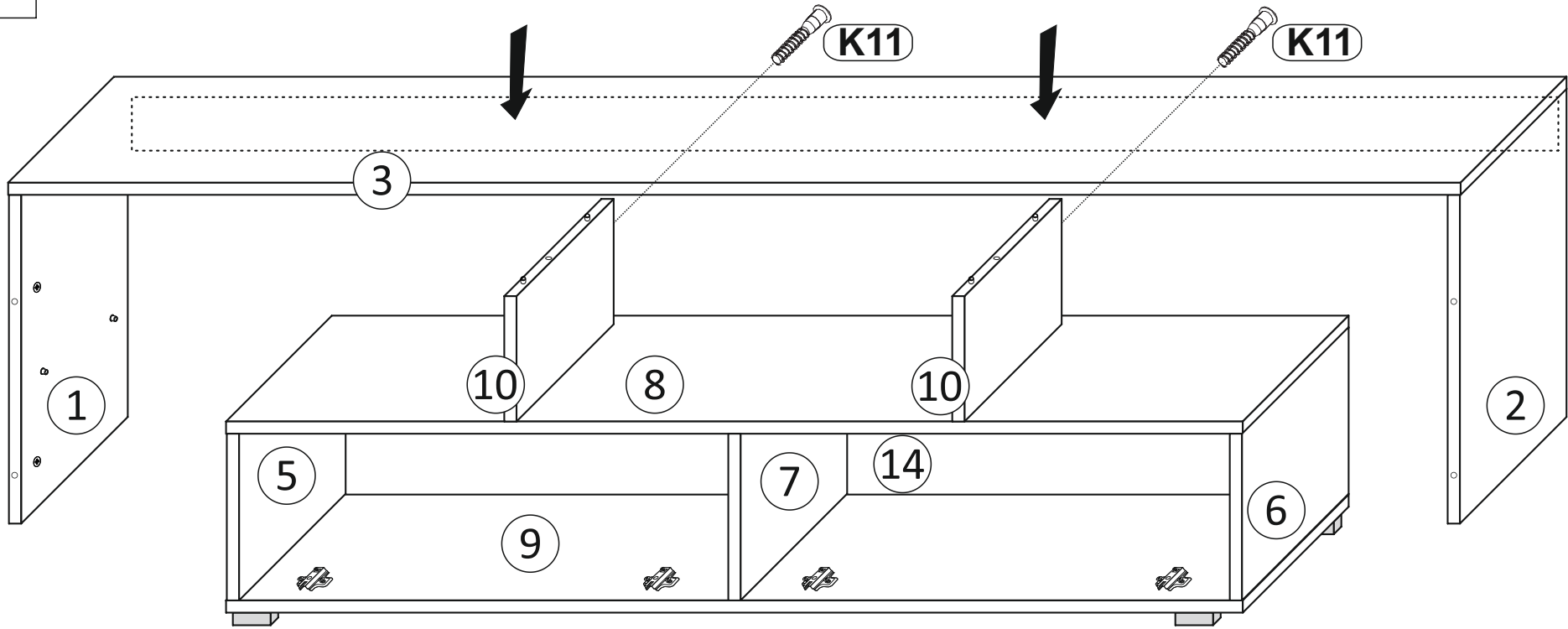
6



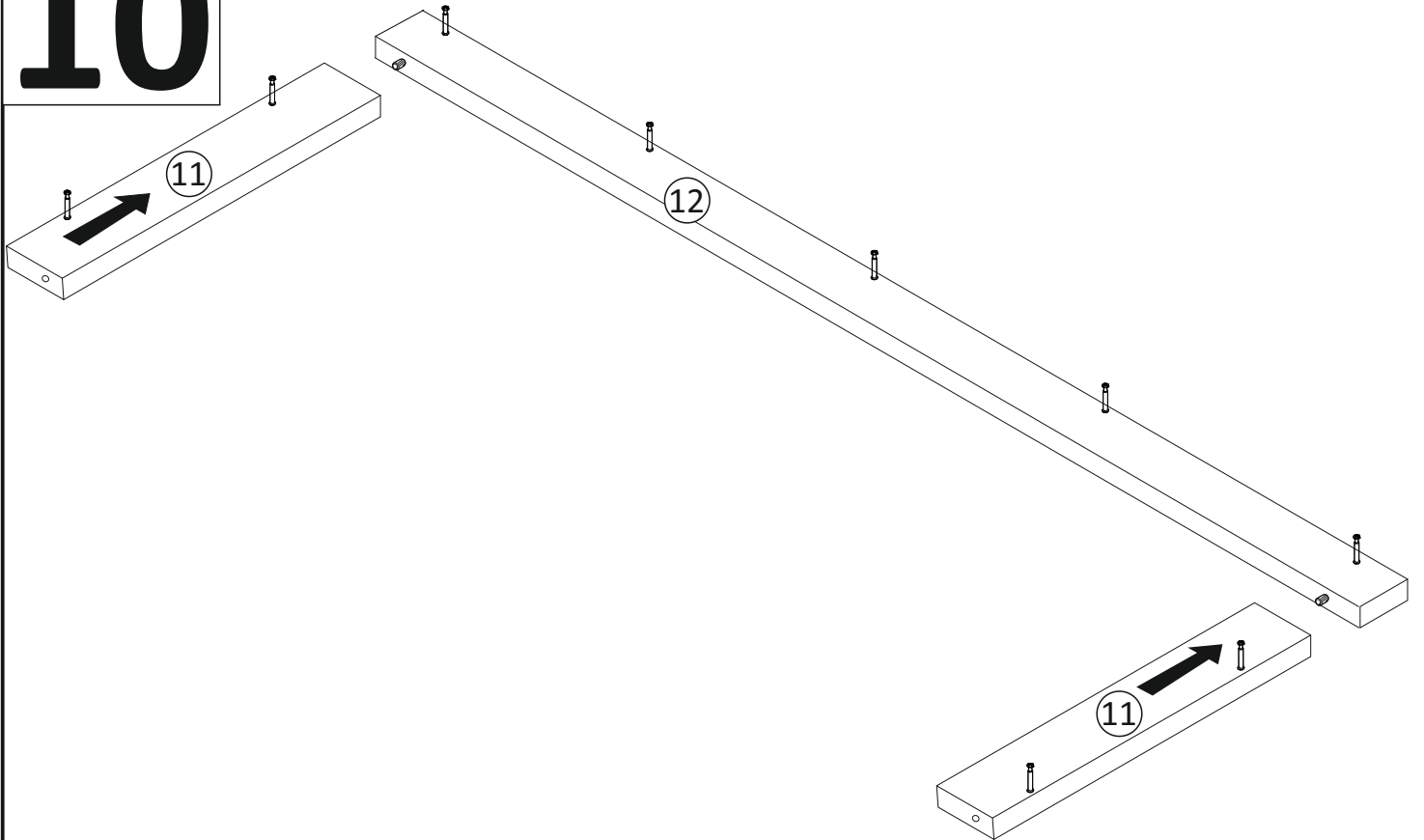
7







10



11

