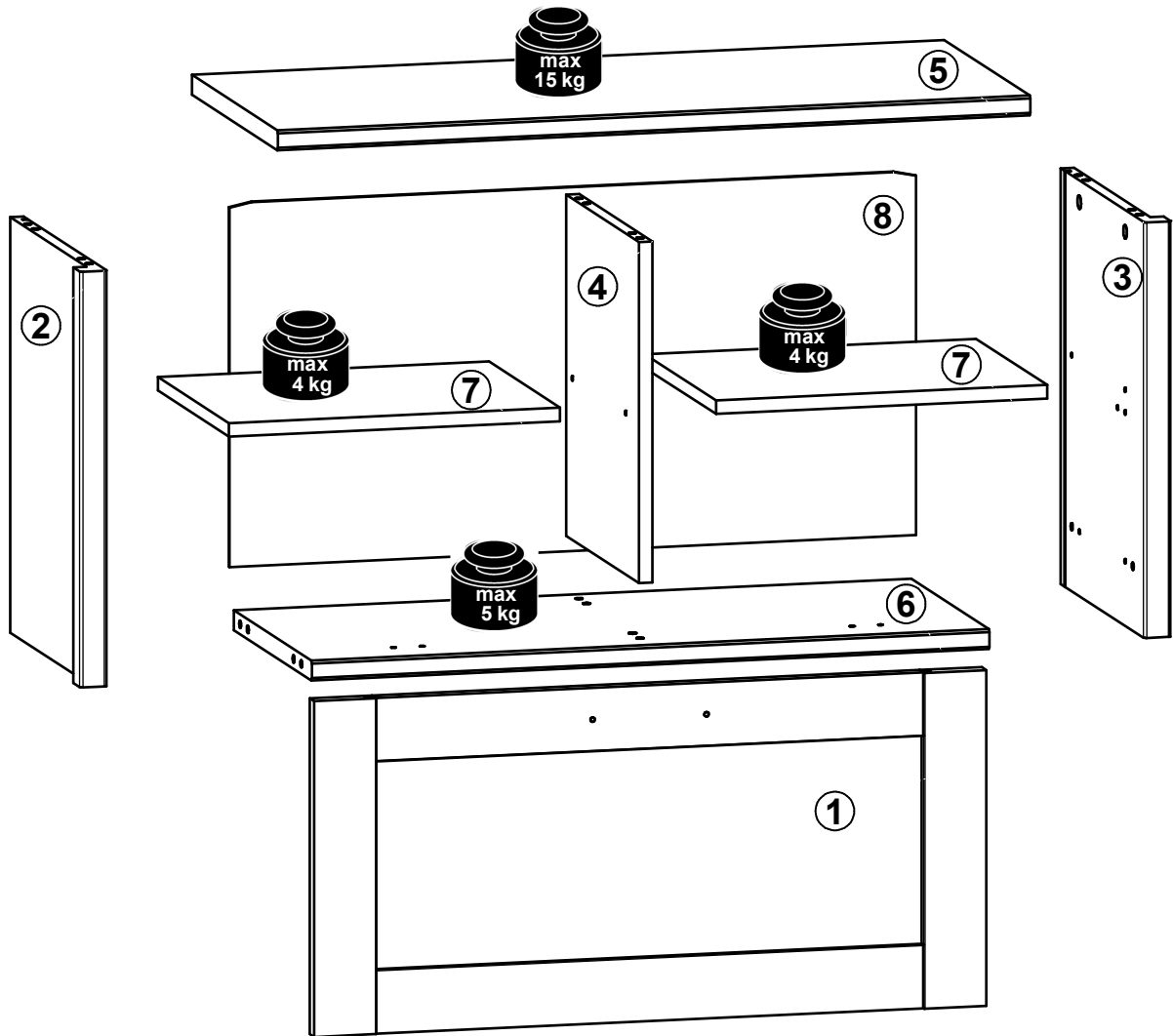
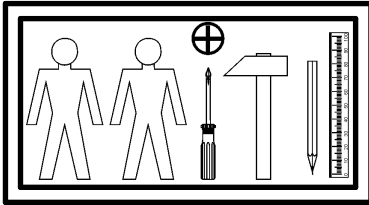
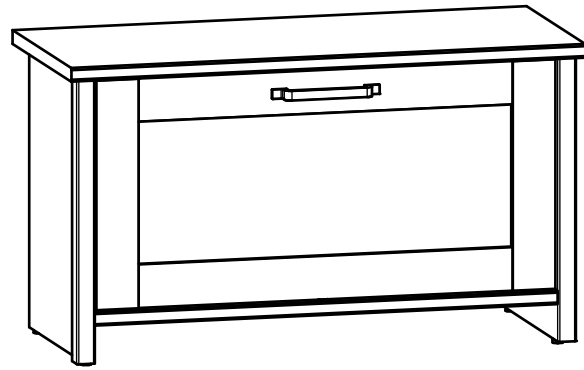
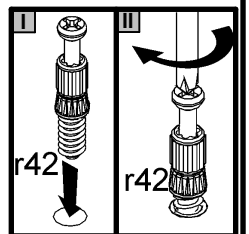
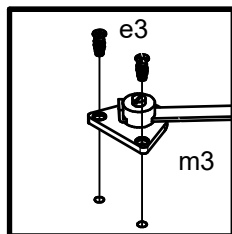
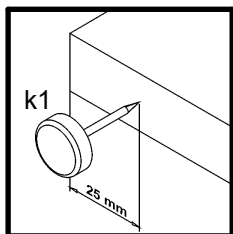
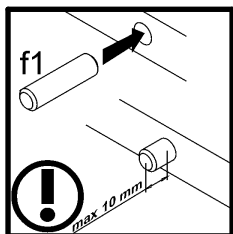
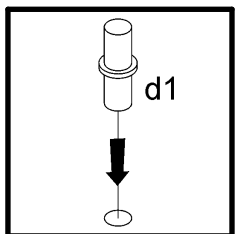
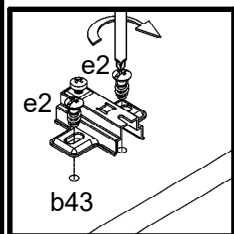
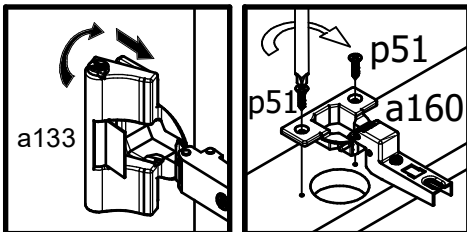
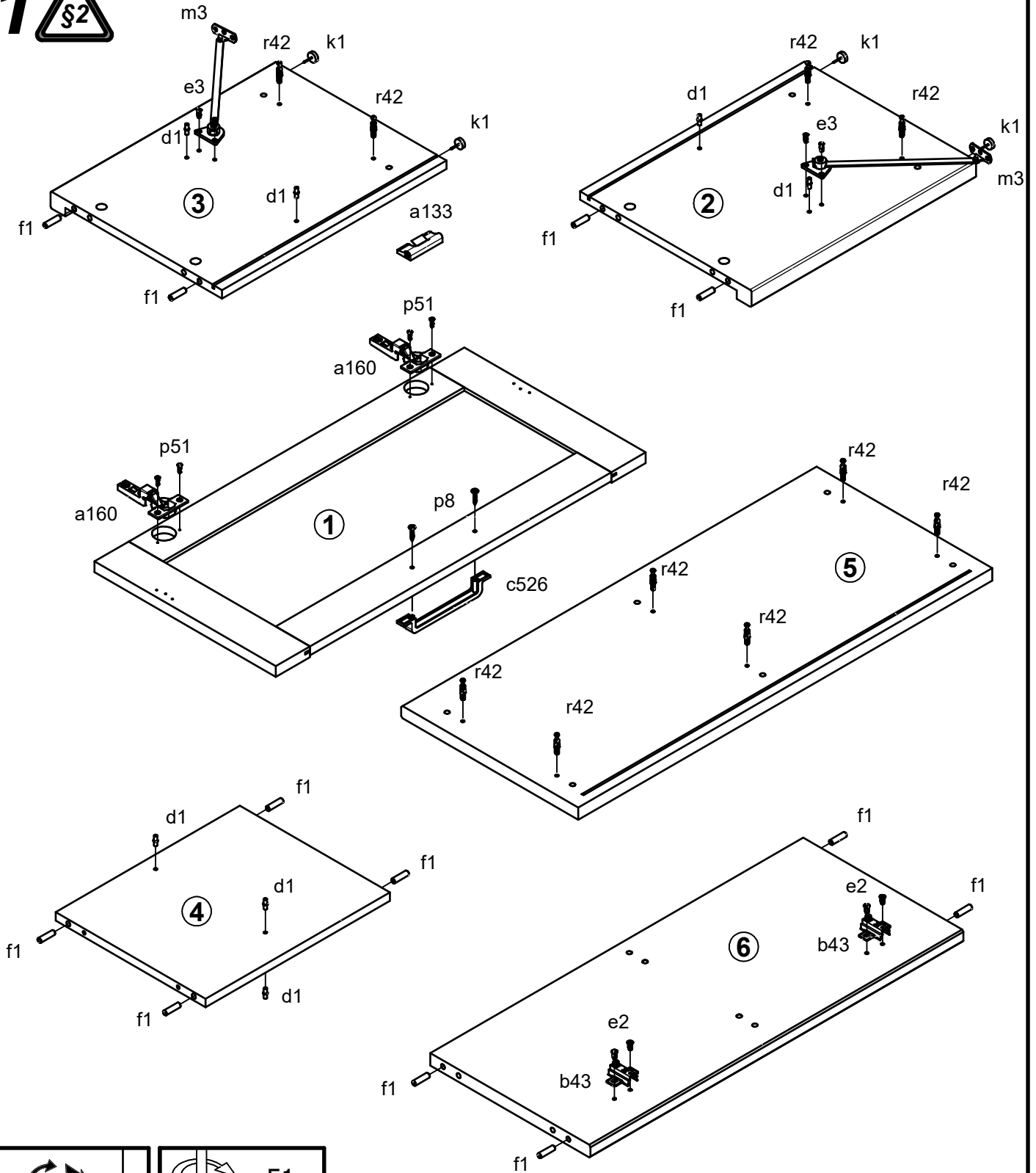


A	B	C	D
1	S455-0010	370	755 1/1
2	S455-1011	458	350 1/1
3	S455-1012	458	350 1/1
4	S455-1015	376	306 1/1
5	S455-2006	845	361 1/1
6	S455-3012	761	327 1/1
7	S455-3013	372	298 1/1
8	S455-9007	401	771 1/1

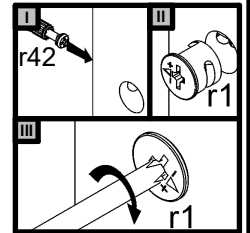
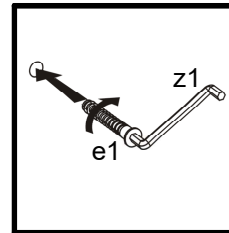
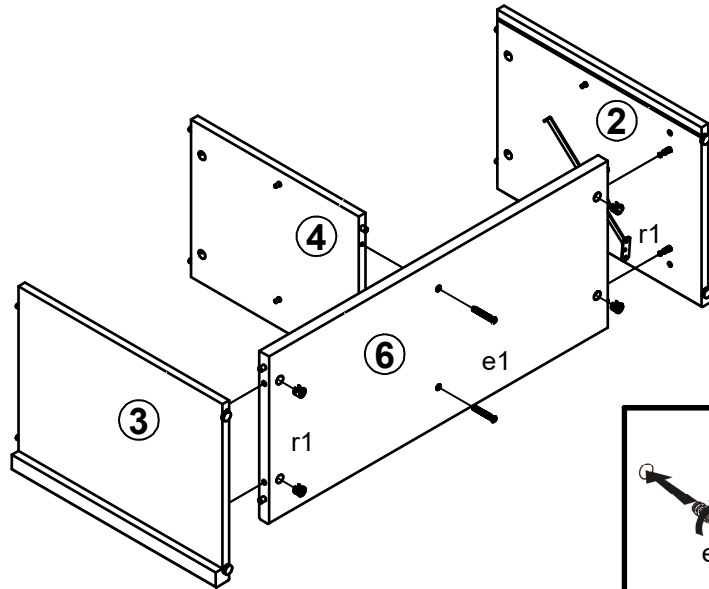


1x  a133	2x  a160	2x  b43	3x  c526 128mm	8x  d1 Ø5x17 mm	2x  e1 Ø7x50 mm	4x  e2 Ø6.3x13 mm	4x  e3 Ø6x13 mm	12x  f1 Ø8x30 mm
4x  k1	10x  l1 1.4x20 mm	4x  l2	2x  m3 L=236 mm	6x  p1 Ø3.5x13 mm	4x  p51 Ø3.5x15 mm	2x  p8 Ø4x25 mm	10x  r1 Ø15x12 mm #16	10x  r42 20/11
6x  s2 Ø16	1x  z1 4 mm	1x  n26\1	1x  p38 Ø3.5x16 mm					

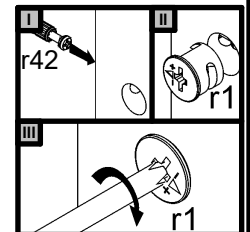
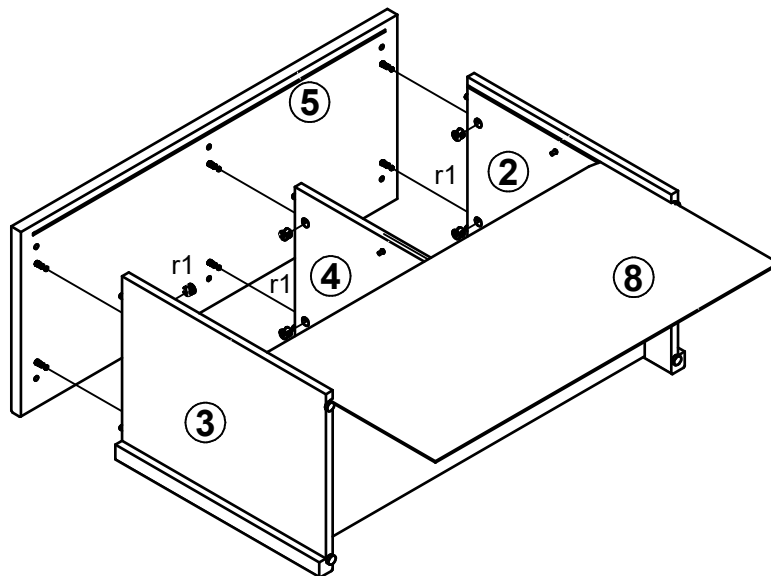
1 



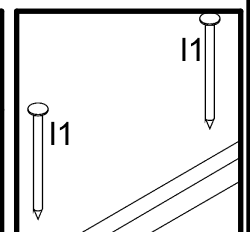
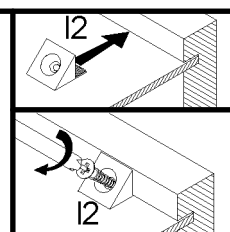
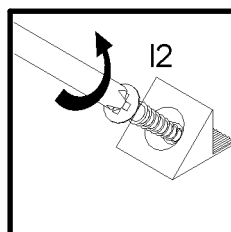
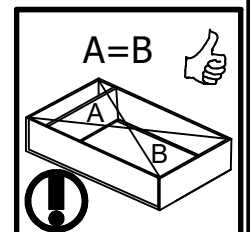
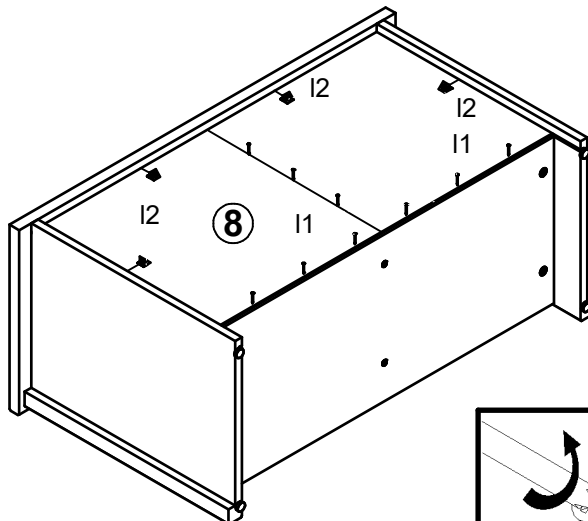
# 2



# 3



# 4



# 5

